



US00D366982S

United States Patent [19]

[11] Patent Number: **Des. 366,982**

Amiel

[45] Date of Patent: ****Feb. 13, 1996**

[54] **PUMP-TYPE ESPRESSO MACHINE**

4,852,474 8/1989 Mahlich et al. D7/309
5,301,600 4/1994 Medema 99/306 X

[75] Inventor: **Richard Amiel**, Thal, Switzerland

OTHER PUBLICATIONS

[73] Assignee: **Arthur Eugster AG**, Romanshorn, Switzerland

Espresso Maker (top right), *Schönerwohnen* p. 112 Oct., 1984.

[**] Term: **14 Years**

Primary Examiner—Alan P. Douglas
Assistant Examiner—M. N. Pandozzi
Attorney, Agent, or Firm—Darby & Darby

[21] Appl. No.: **19,483**

[57] CLAIM

[22] Filed: **Mar. 3, 1994**

[52] U.S. Cl. **D7/309**; D7/311

The ornamental design for a pump-type espresso machine, as shown and described.

[58] Field of Search D7/300, 305, 309, D7/310, 311, 307, 308; 99/306, 295

DESCRIPTION

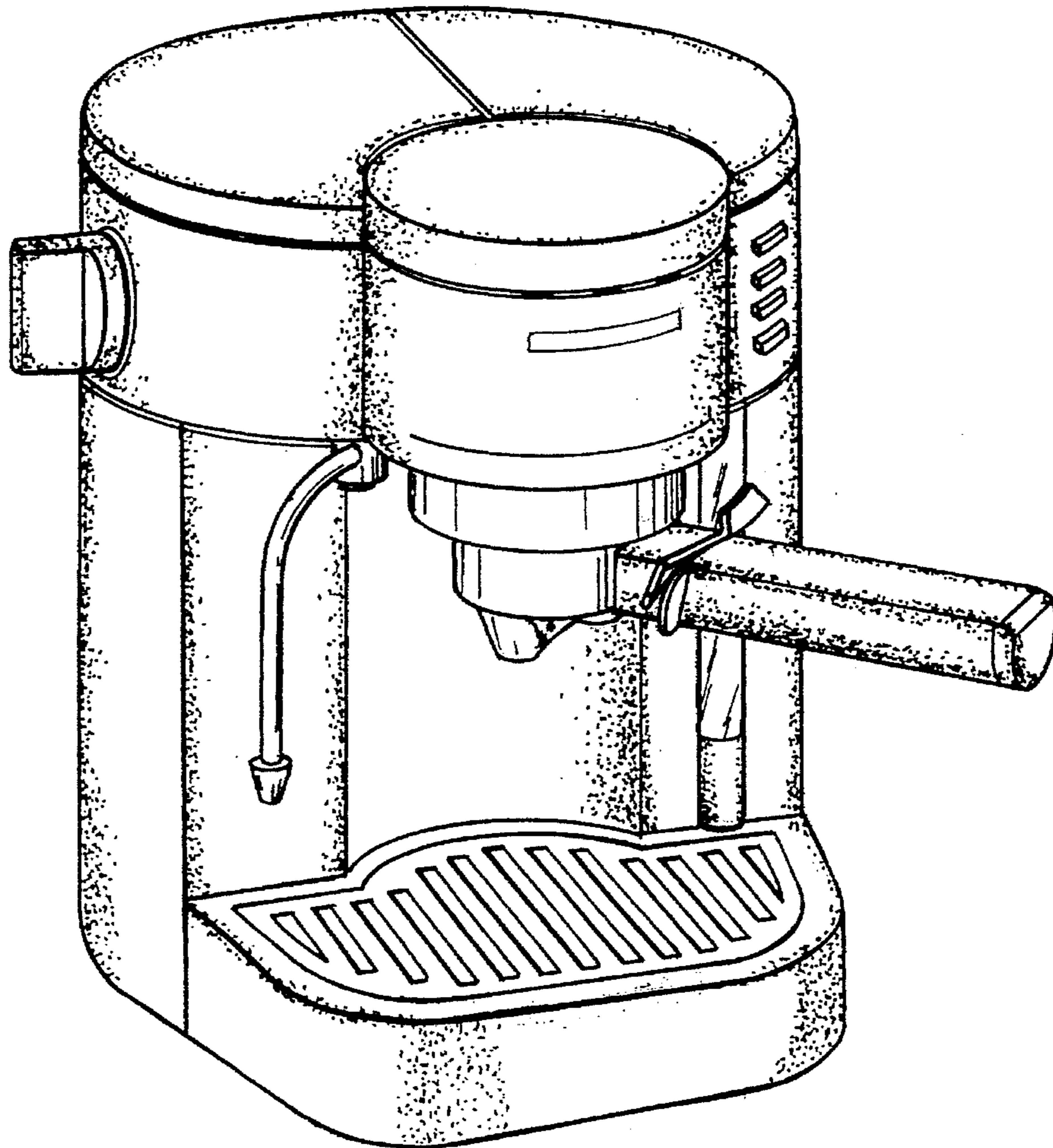
[56] References Cited

U.S. PATENT DOCUMENTS

| | | | | |
|------------|---------|----------------|-------|----------|
| D. 283,779 | 5/1986 | Beeren | | D7/309 |
| D. 288,164 | 2/1987 | Stützer et al. | | D7/311 X |
| D. 288,885 | 3/1987 | Kahlcke | | D7/309 |
| D. 316,004 | 4/1991 | Eugster | | D7/309 |
| D. 336,207 | 6/1993 | Brookshire | | D7/309 |
| D. 339,953 | 10/1993 | Bunn et al. | | D7/309 |
| D. 347,961 | 6/1994 | Beeren | | D7/311 X |
| D. 348,585 | 7/1994 | Sham | | D7/310 X |

FIG. 1 is a perspective view of a pump-type espresso machine in accordance with my invention; FIG. 2 is a rear elevational view thereof; FIG. 3 is a right side view thereof; FIG. 4 is a left side view thereof; FIG. 5 is a top view thereof; FIG. 6 is a bottom view thereof; and, FIG. 7 is a front elevational view thereof.

1 Claim, 6 Drawing Sheets



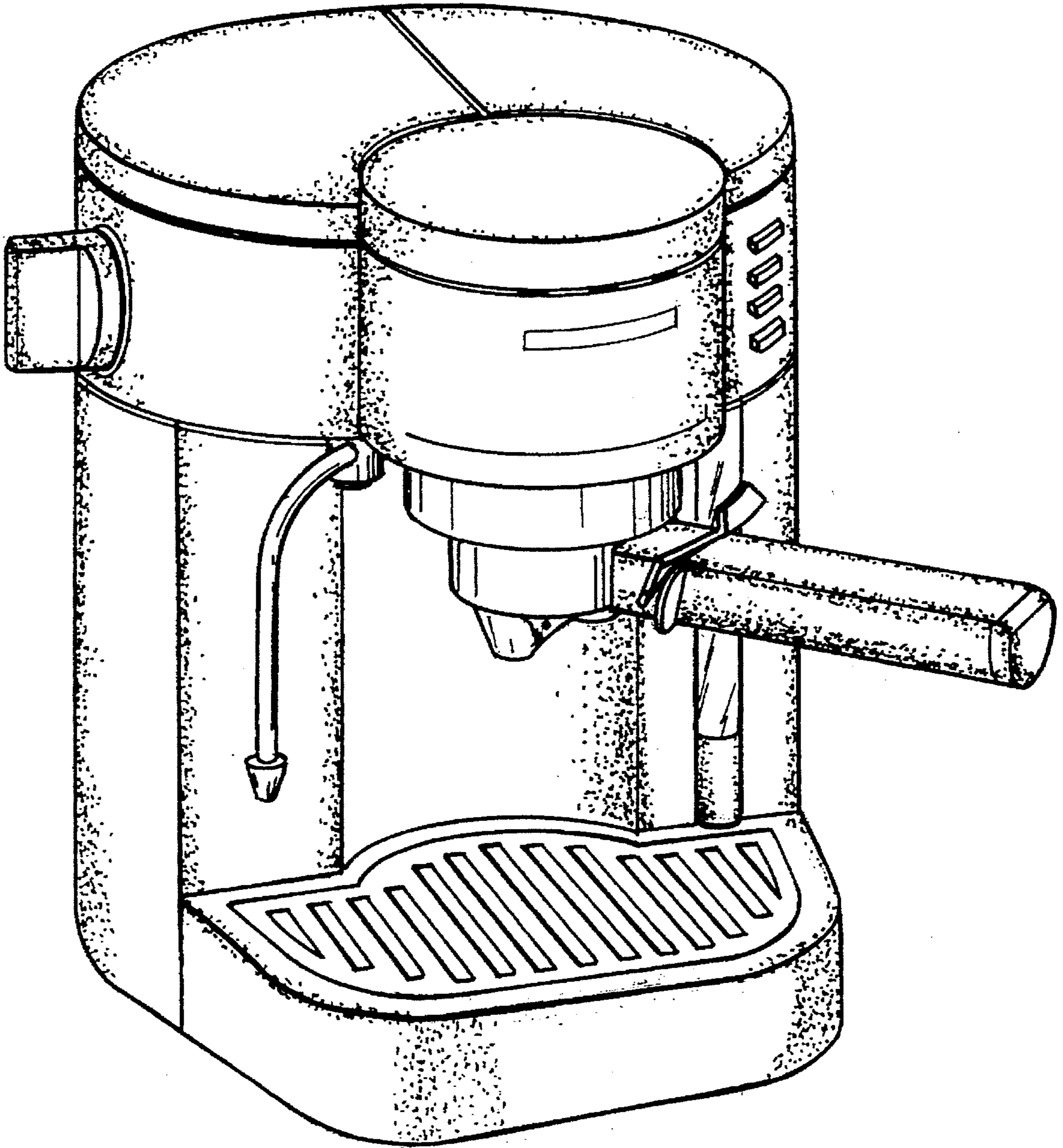


FIG. 1

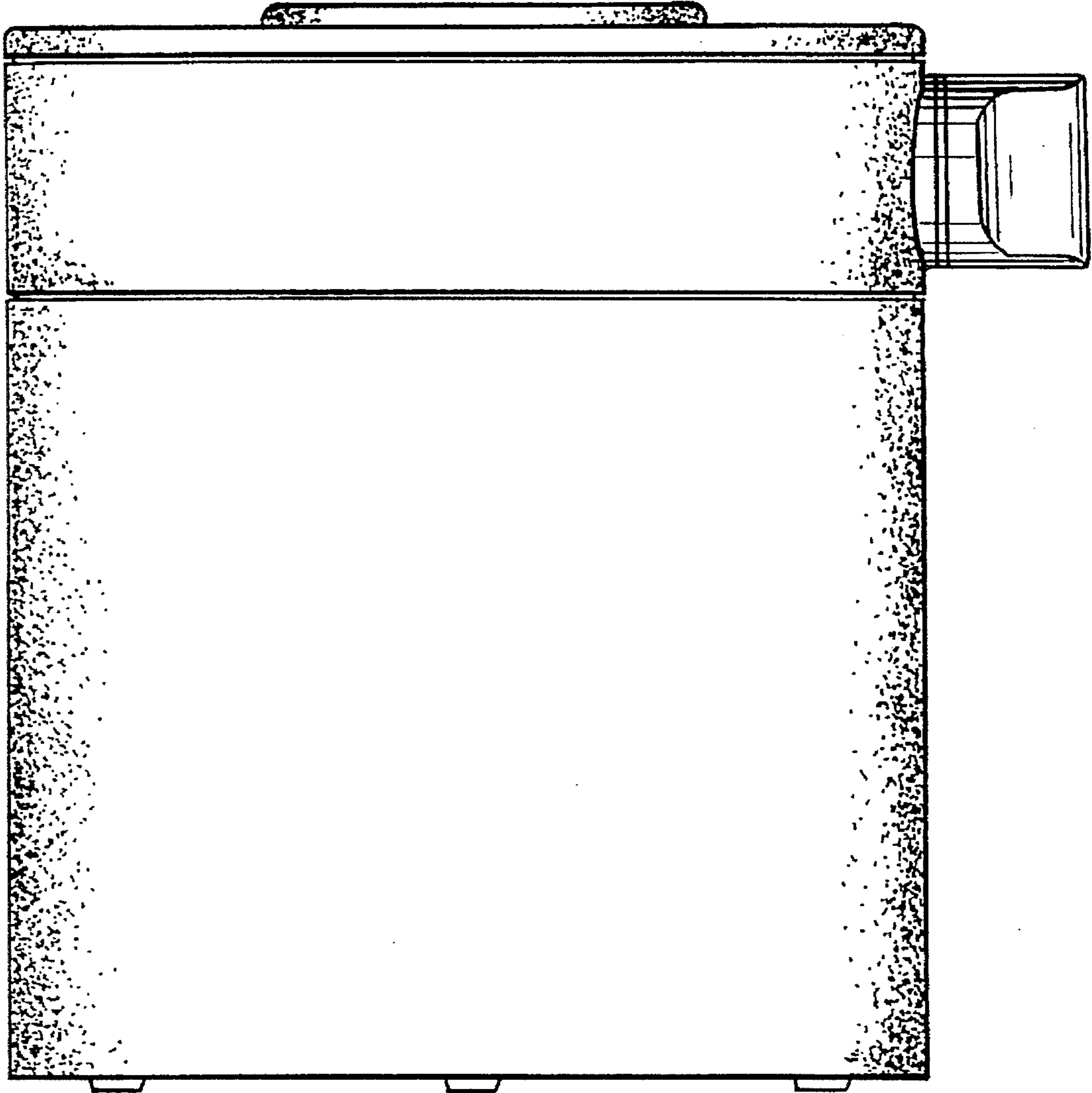


FIG.2

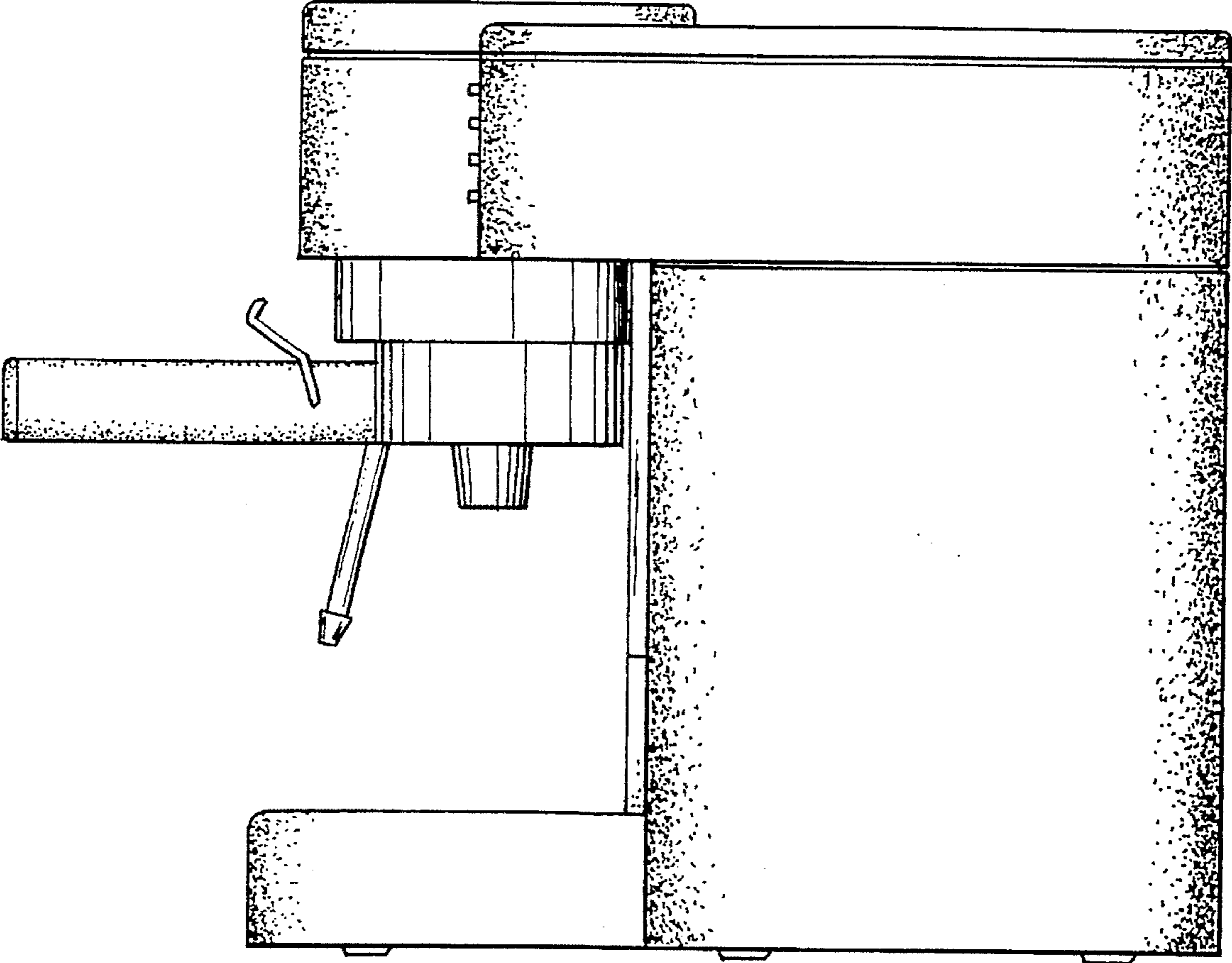


FIG.3

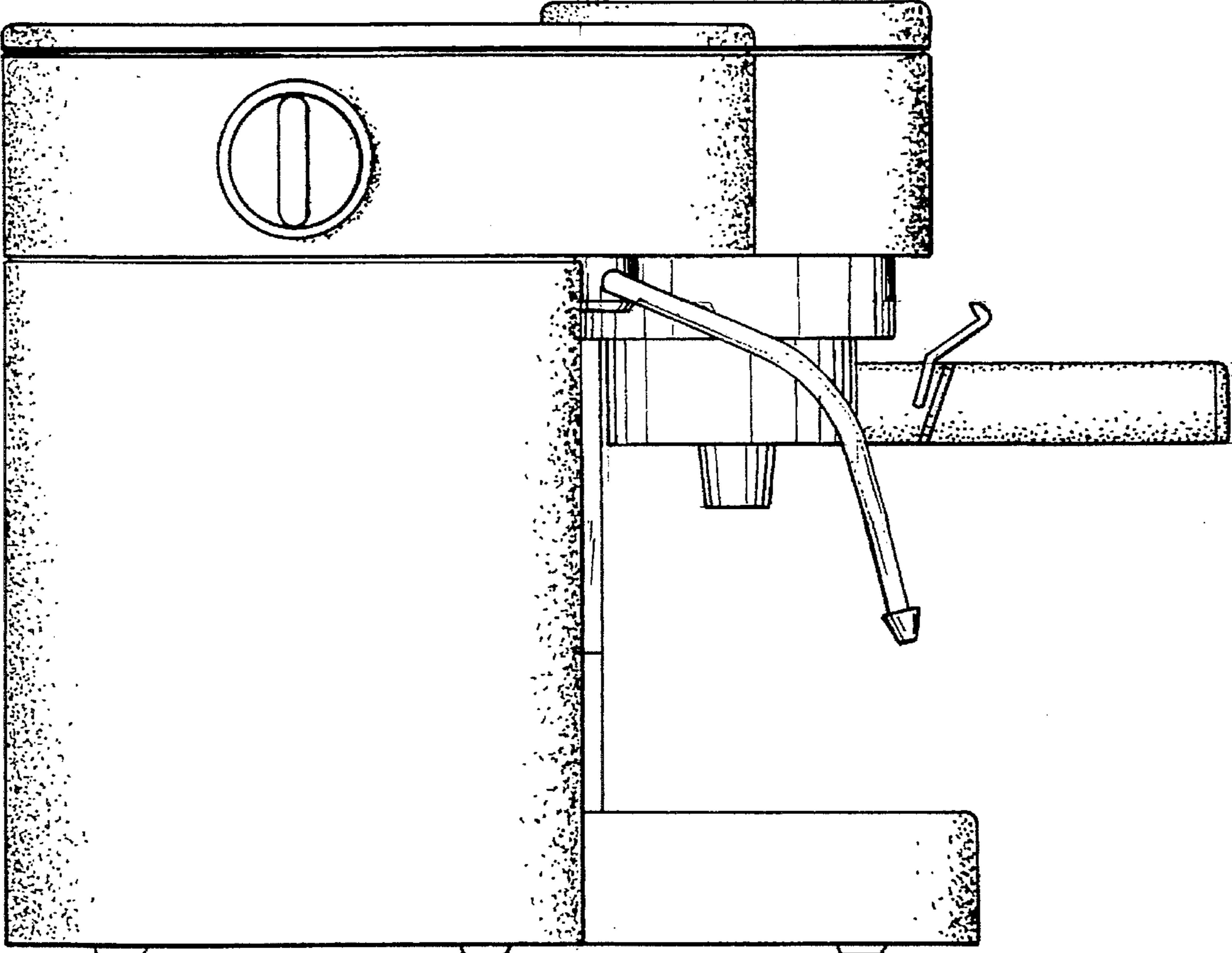


FIG. 4

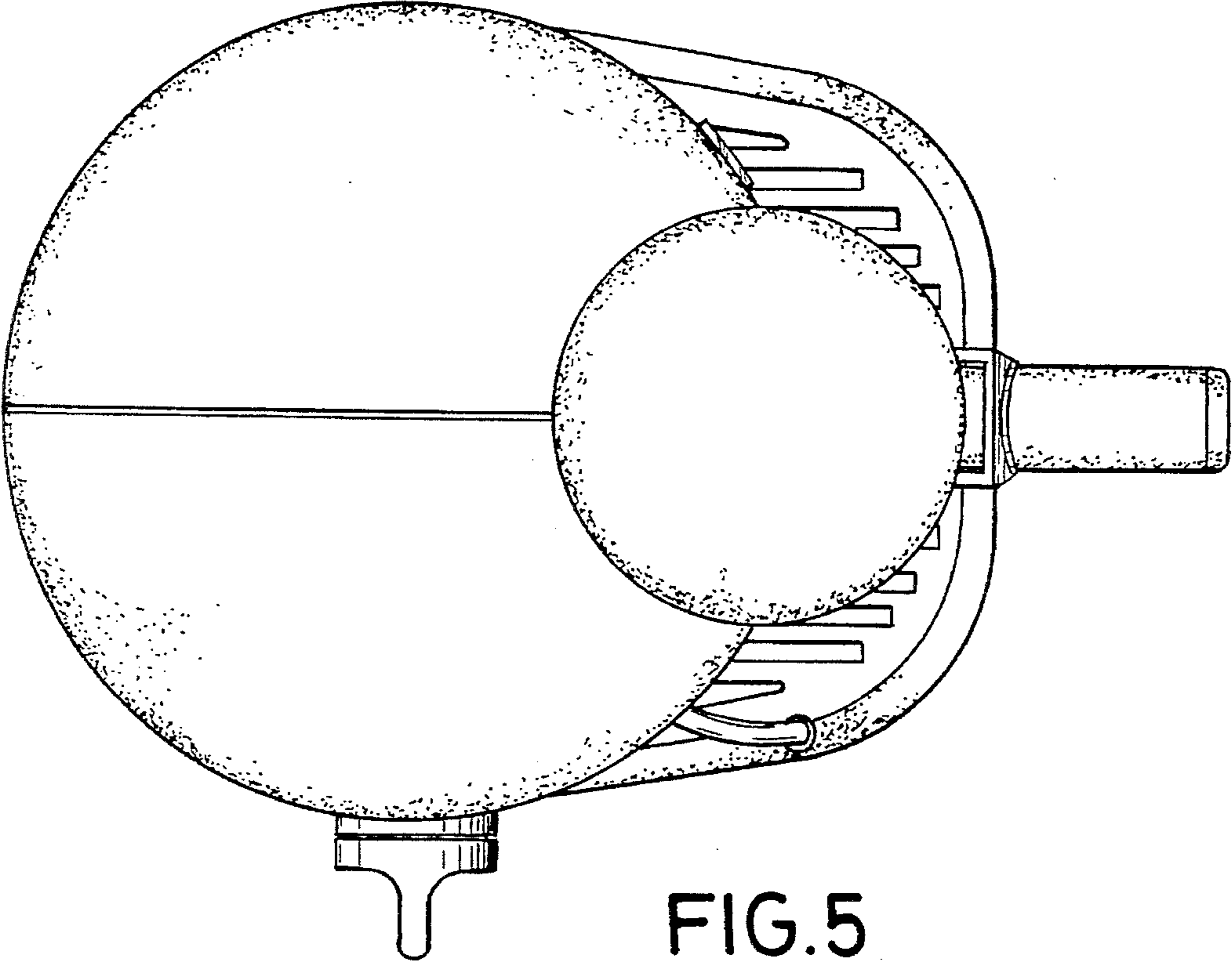


FIG. 5

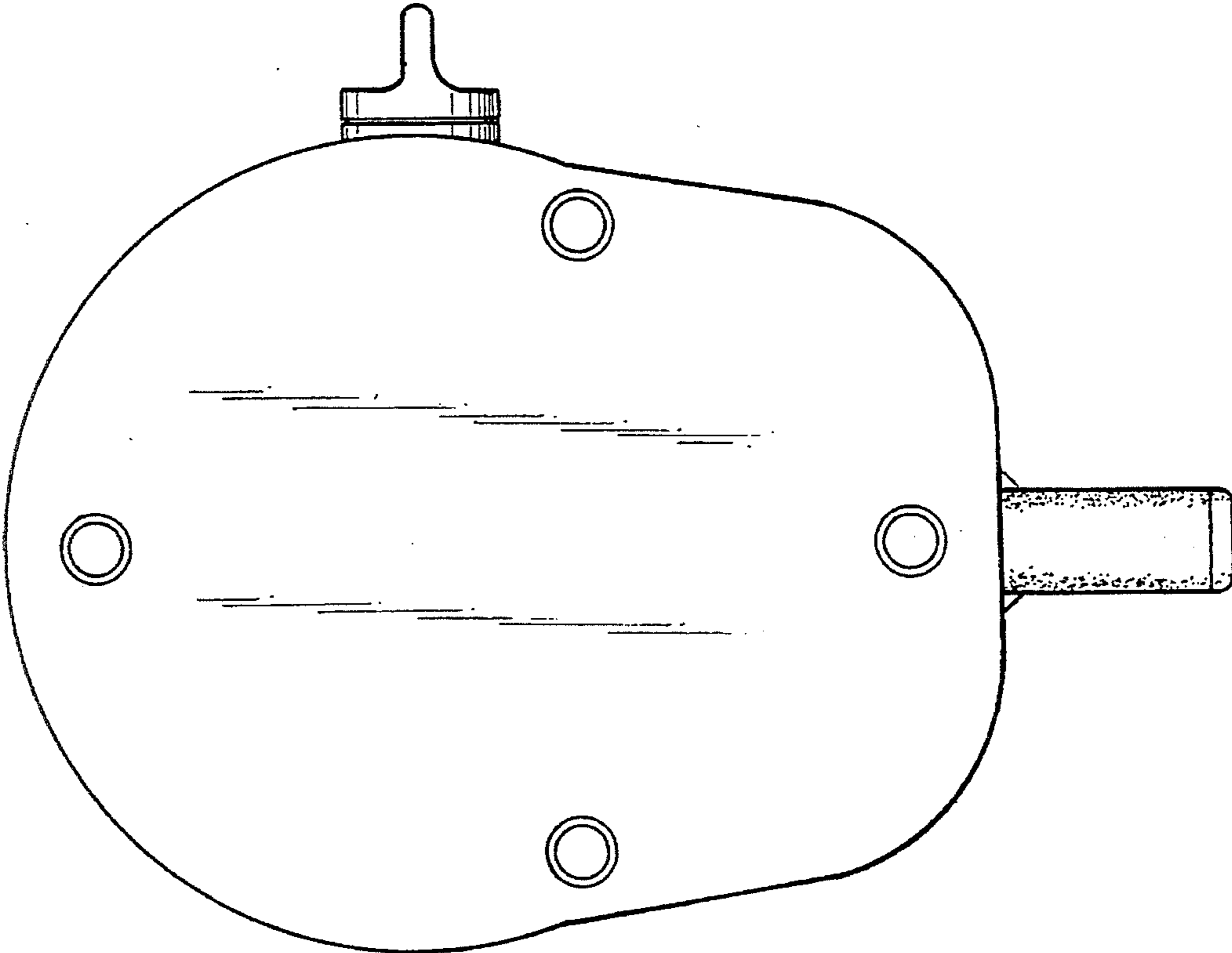


FIG. 6

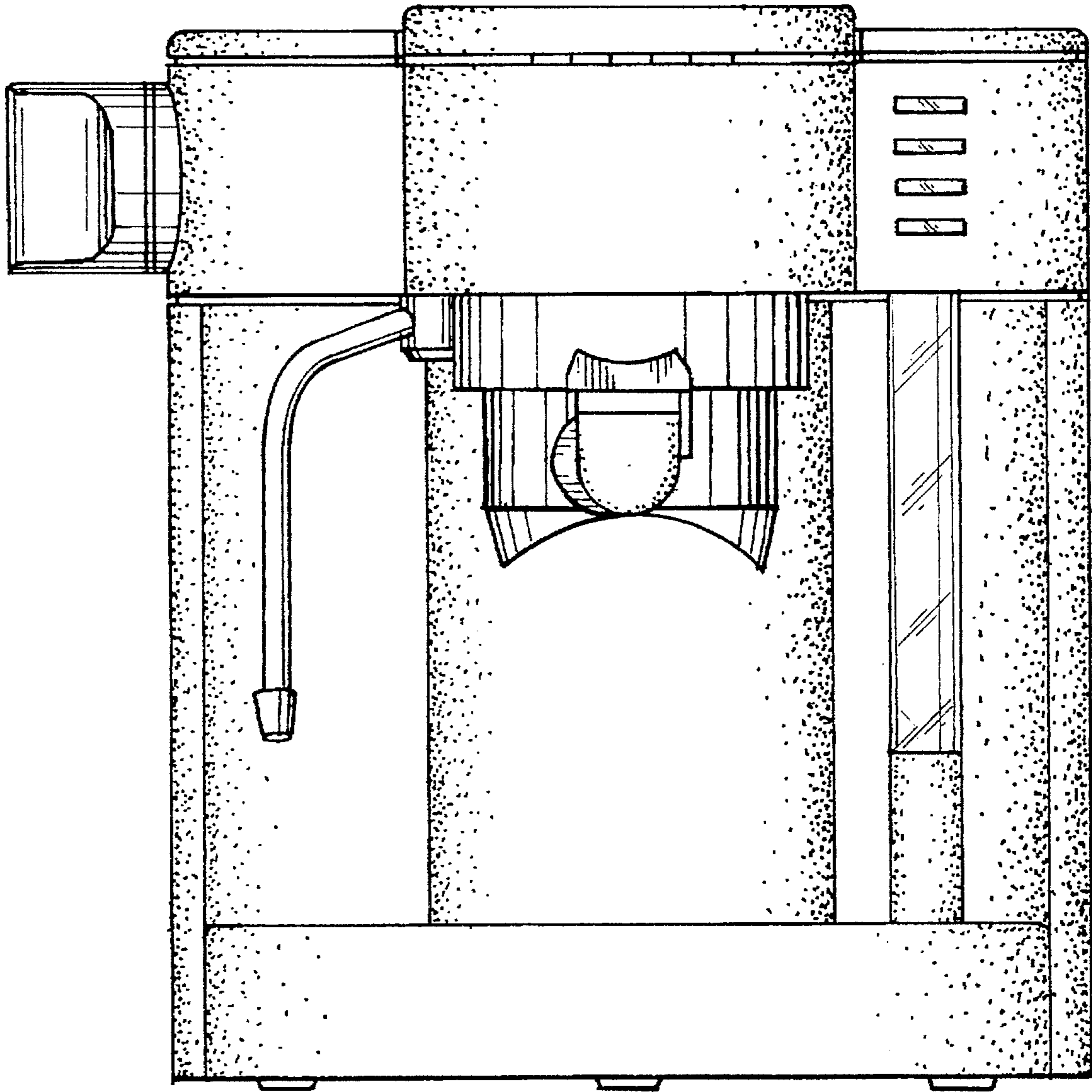


FIG. 7