



US00D366980S

United States Patent [19]

Sweere

[11] Patent Number: **Des. 366,980**

[45] Date of Patent: ****Feb. 13, 1996**

[54] **SLIDE TRAY**

5,294,087 3/1994 Drabczyk et al. 248/918 X

[76] Inventor: **Harry C. Sweere**, 5637 Woodlawn Blvd., Minneapolis, Minn. 55417

Primary Examiner—Janice E. Seeger
Attorney, Agent, or Firm—Hugh D. Jaeger

[**] Term: **14 Years**

[57] **CLAIM**

The ornamental design for a slide tray, as shown.

[21] Appl. No.: **25,790**

DESCRIPTION

[22] Filed: **Jul. 11, 1994**

[52] U.S. Cl. **D6/510; D6/511; 248/918**

[58] Field of Search **D6/509-511; 248/918, 248/919; 312/208.1, 281, 282; D14/114**

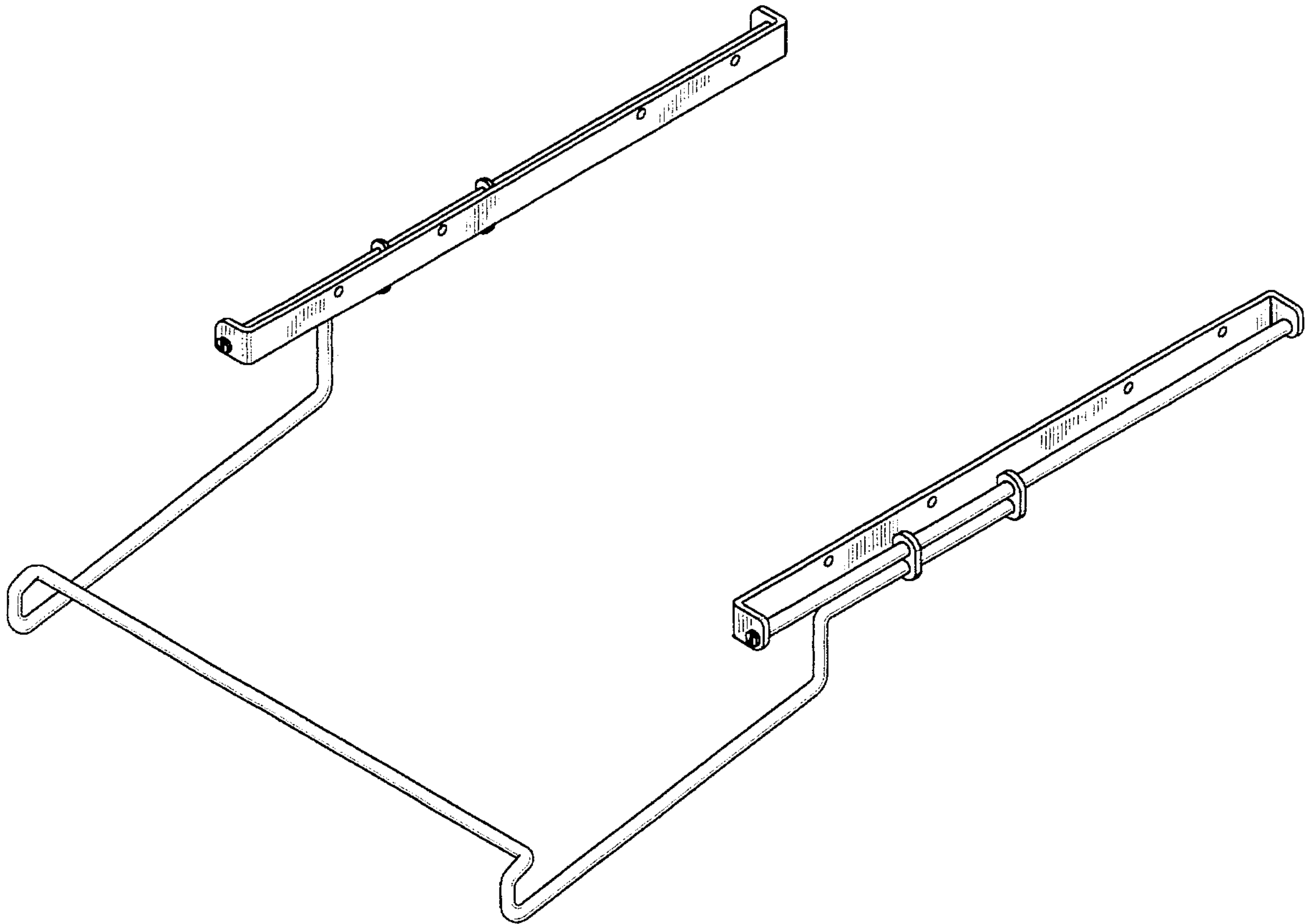
FIG. 1 illustrates a front view thereof;
FIG. 2 illustrates a left side view thereof;
FIG. 3 illustrates a right side thereof;
FIG. 4 illustrates a top view thereof;
FIG. 5 illustrates a back view thereof;
FIG. 6 illustrates a bottom view thereof; and,
FIG. 7 illustrates a perspective view thereof.

[56] **References Cited**

U.S. PATENT DOCUMENTS

D. 344,652 3/1994 Hatcher D6/511
3,866,866 2/1975 Kniele 248/918 X

1 Claim, 7 Drawing Sheets



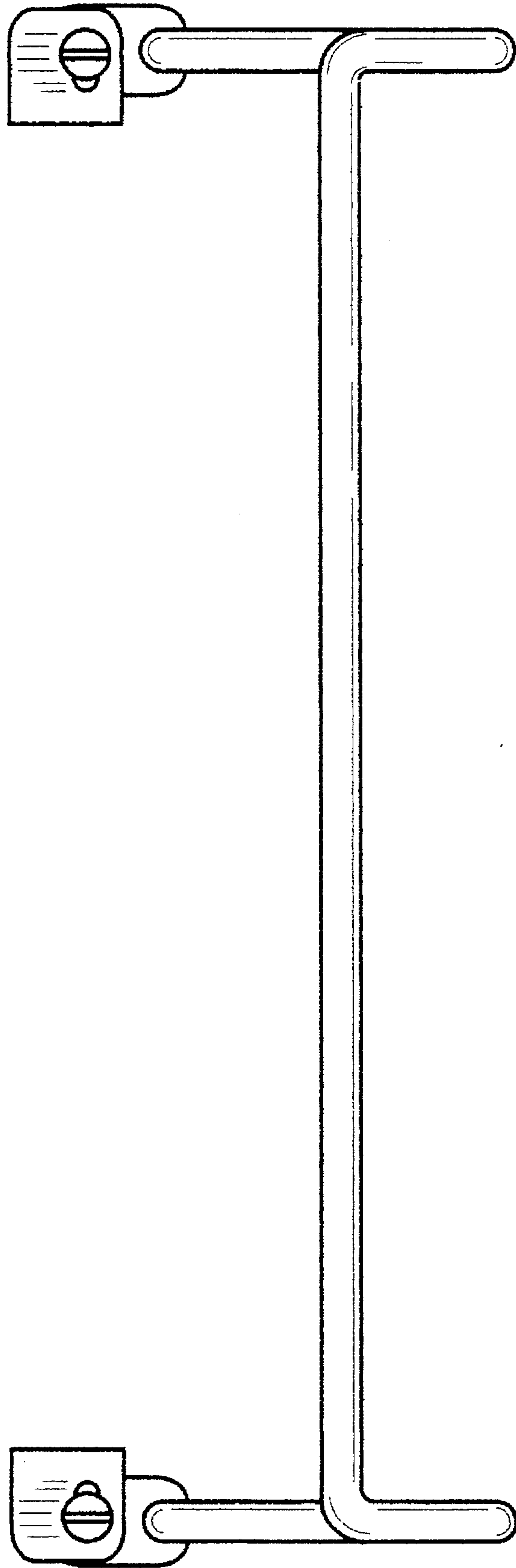


FIG. 1

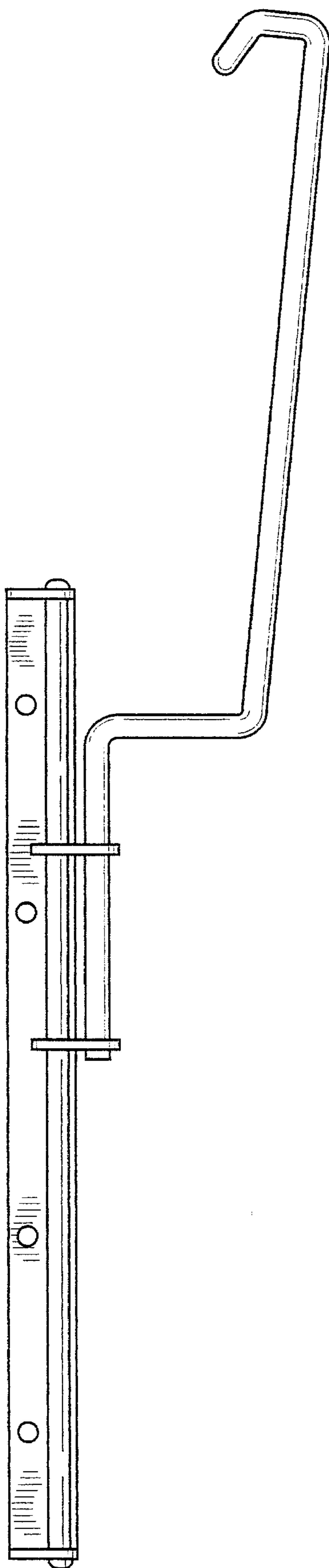


FIG. 2

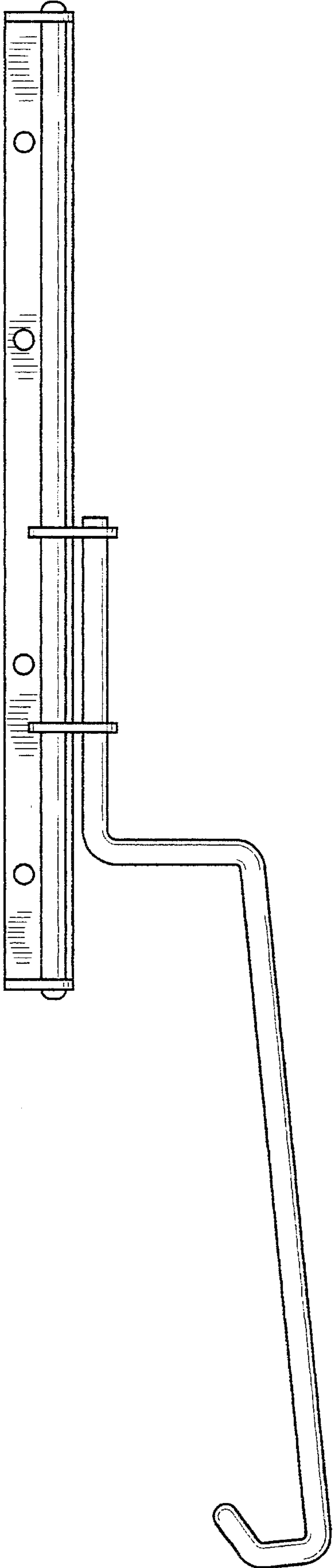


FIG. 3

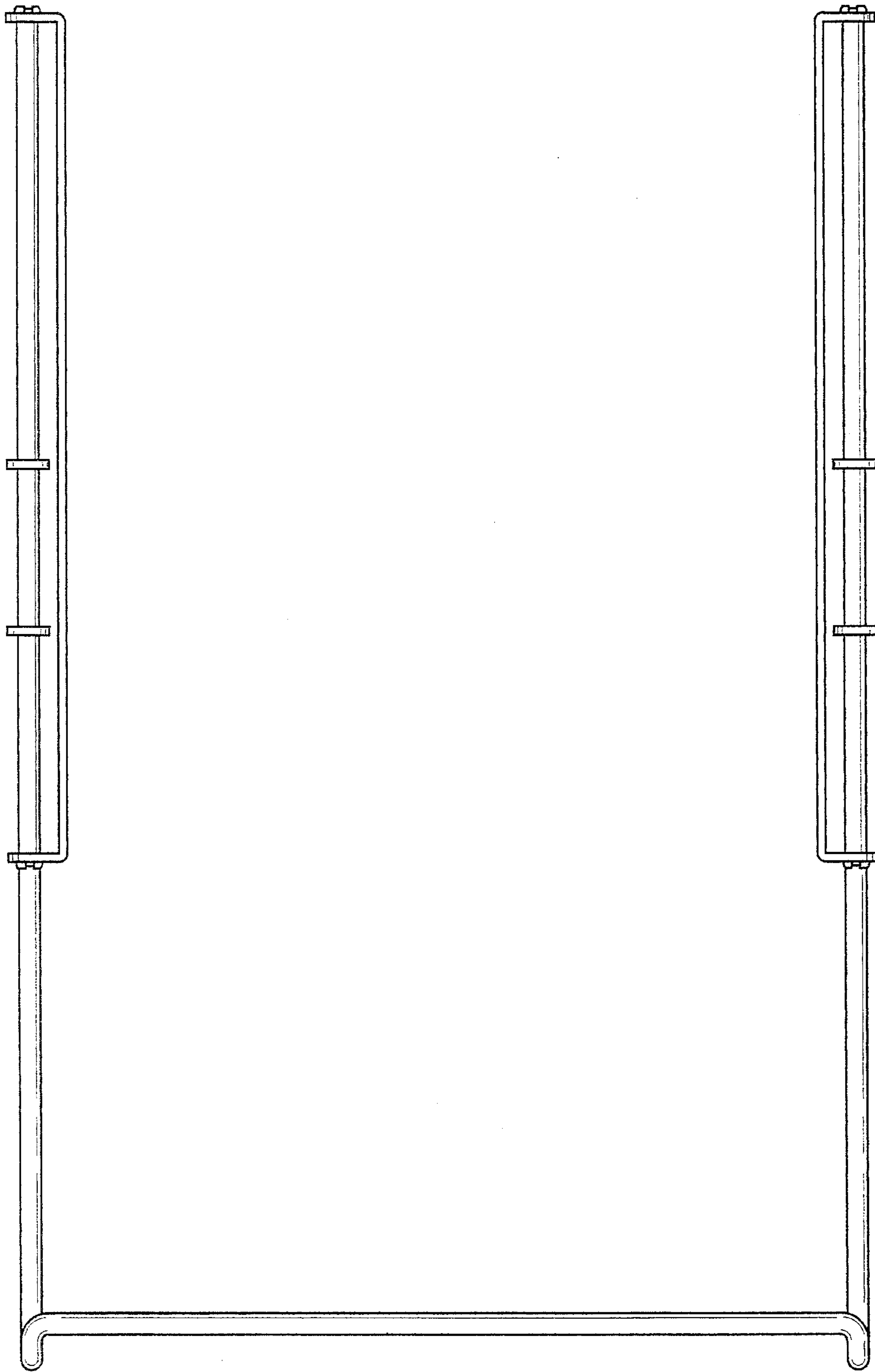


FIG. 4

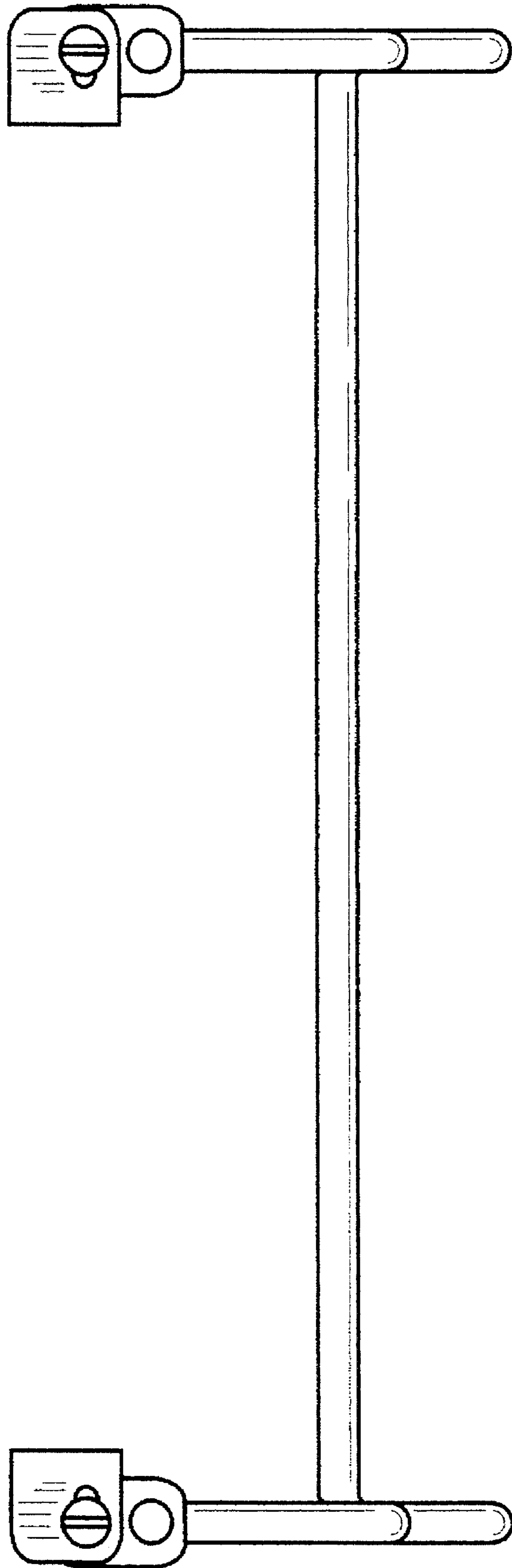


FIG. 5

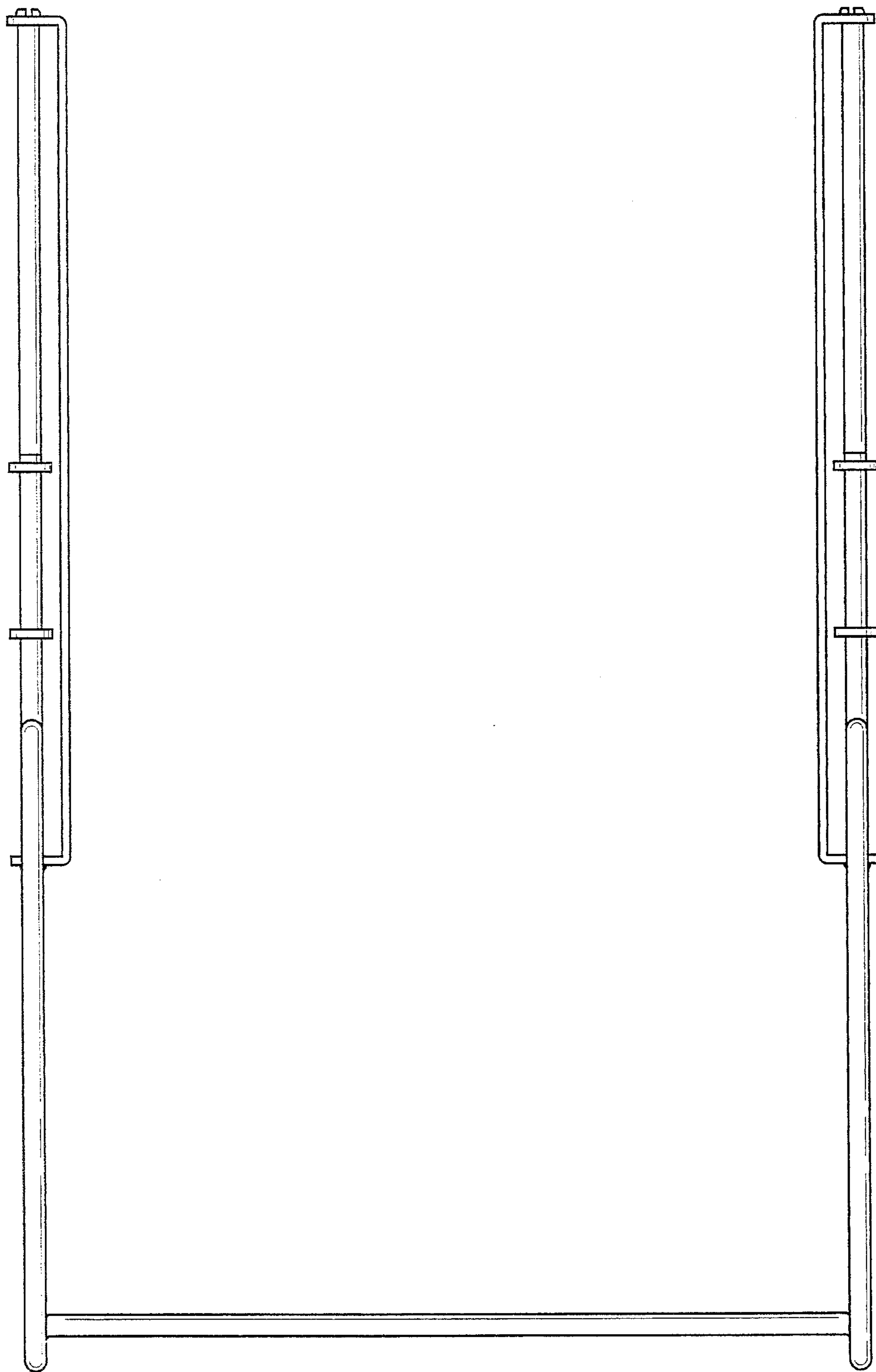


FIG. 6

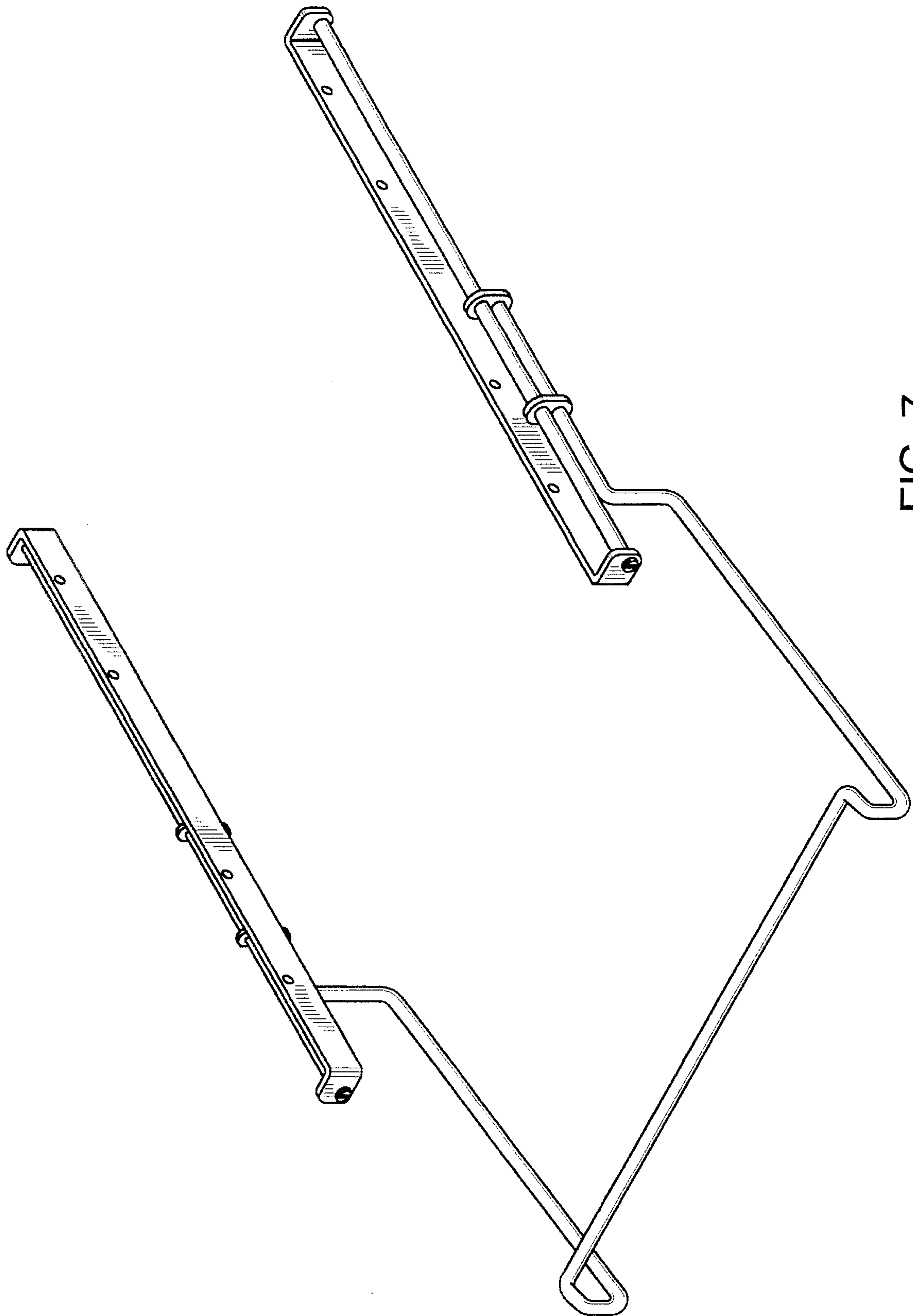


FIG. 7