



US00D366979S

United States Patent [19]
Opsvik

[11] **Patent Number: Des. 366,979**

[45] **Date of Patent: **Feb. 13, 1996**

[54] **CHAIR GUARD**

5,056,869 10/1991 Morrison 297/467 X
5,226,698 7/1993 Harrison 297/467 X

[75] Inventor: **Peter Opsvik**, Oslo, Norway

Primary Examiner—Janice E. Seeger
Attorney, Agent, or Firm—William S. Frommer

[73] Assignee: **Stokke Industri AS**, Norway

[**] Term: **14 Years**

[57] **CLAIM**

[21] Appl. No.: **23,509**

The ornamental design for a chair guard, as shown and described.

[22] Filed: **May 25, 1994**

DESCRIPTION

[30] **Foreign Application Priority Data**

FIG. 1 is a rear perspective view of a chair guard showing my new design;

Jan. 14, 1994 [NO] Norway 940017

FIG. 2 is a perspective view of my chair guard shown in use with a chair;

[52] **U.S. Cl.** **D6/500; D6/333; D29/101**

[58] **Field of Search** D6/500-502, 333,
D6/339; 297/148, 149, 150, 153, 274, 467,
487, 488; D29/101, 100

FIG. 3 is a right side view of my chair guard;

FIG. 4 is a left side view of my chair guard;

FIG. 5 is a top view of my chair guard;

FIG. 6 is a bottom view of my chair guard;

FIG. 7 is a front view of my chair guard; and,

FIG. 8 is a rear view of my chair guard.

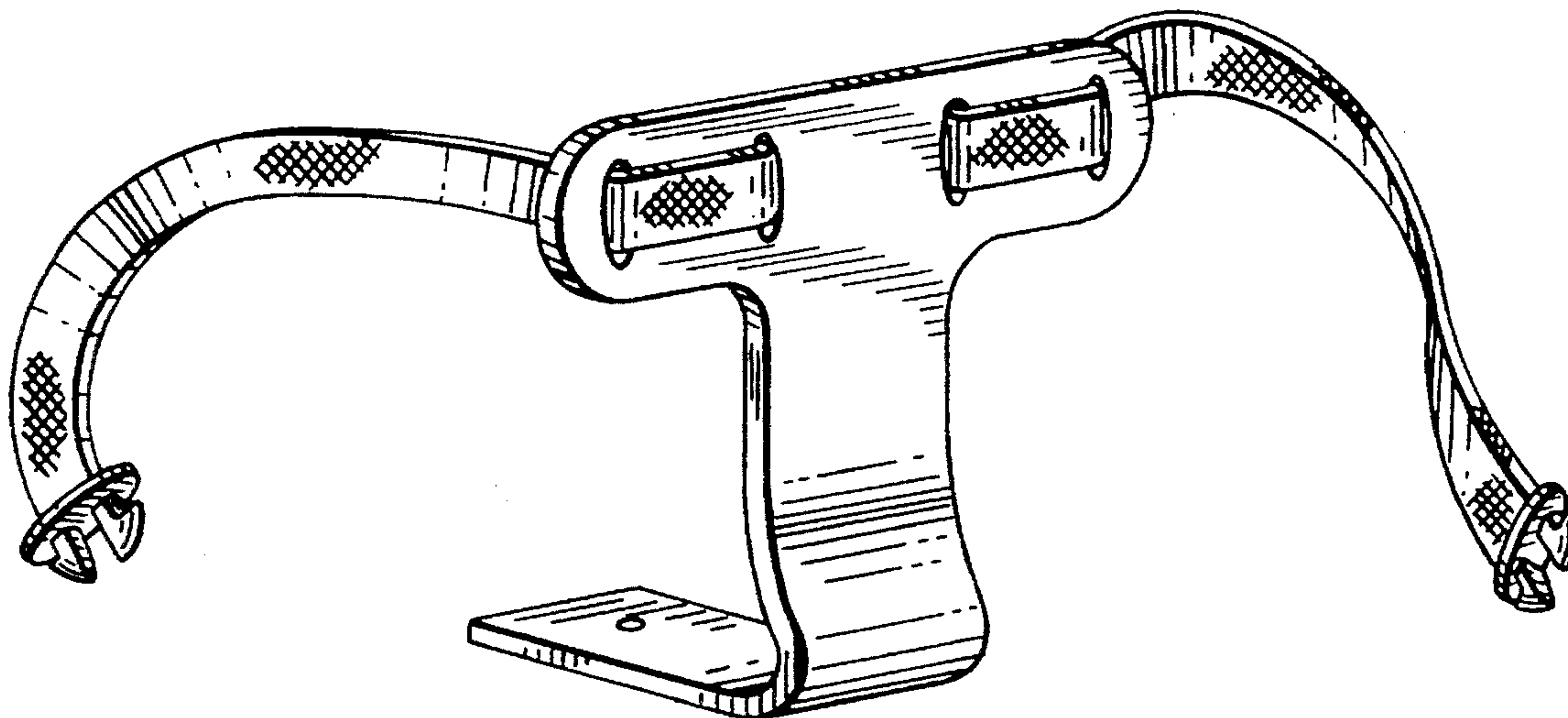
The broken lines are for environmental purposes only and form no part of the claimed design.

[56] **References Cited**

U.S. PATENT DOCUMENTS

D. 284,326 6/1986 Roney et al. D29/101
D. 343,257 1/1994 DiFloria et al. D29/101
2,495,482 1/1950 Rogatz 297/467

1 Claim, 4 Drawing Sheets



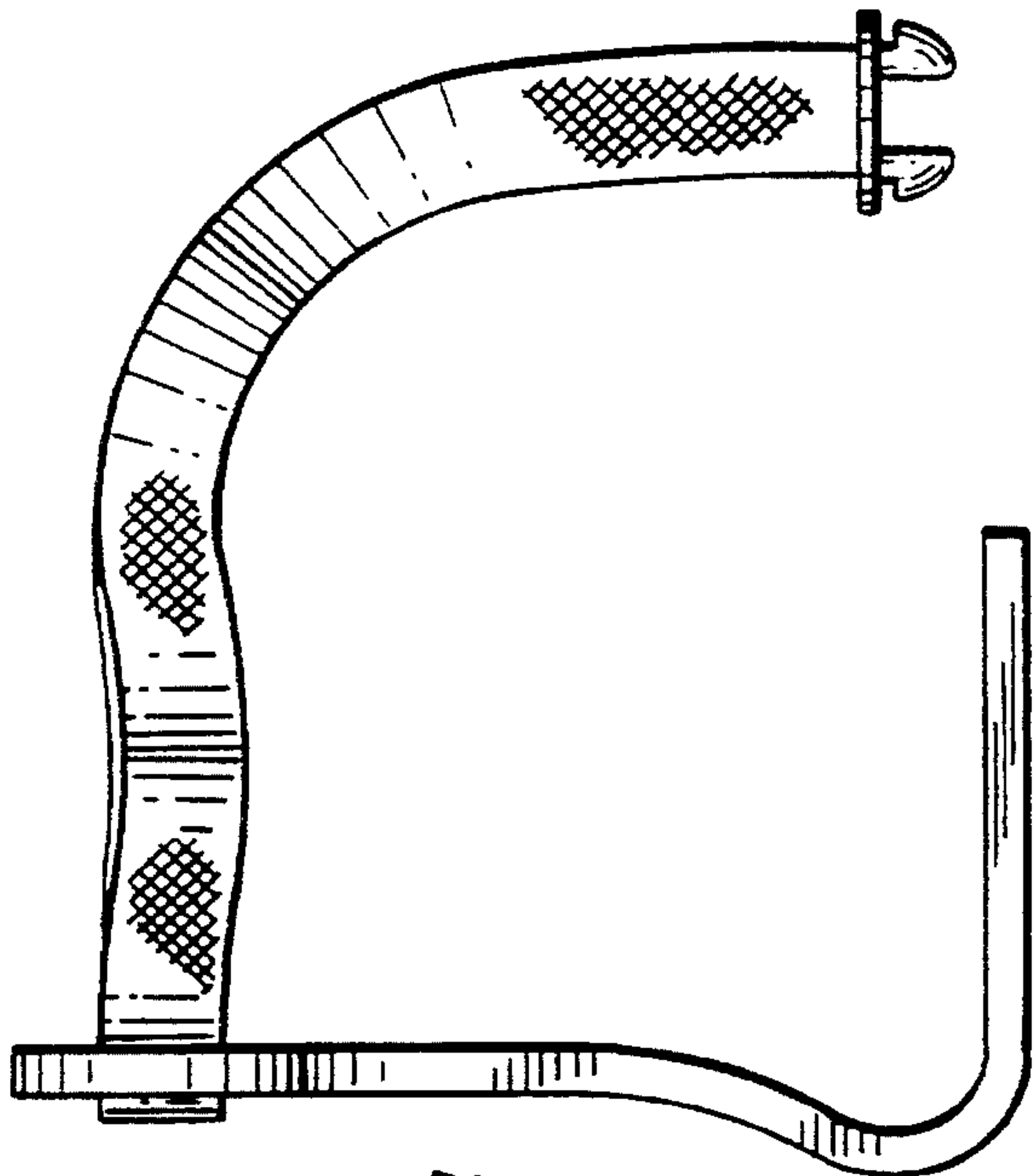
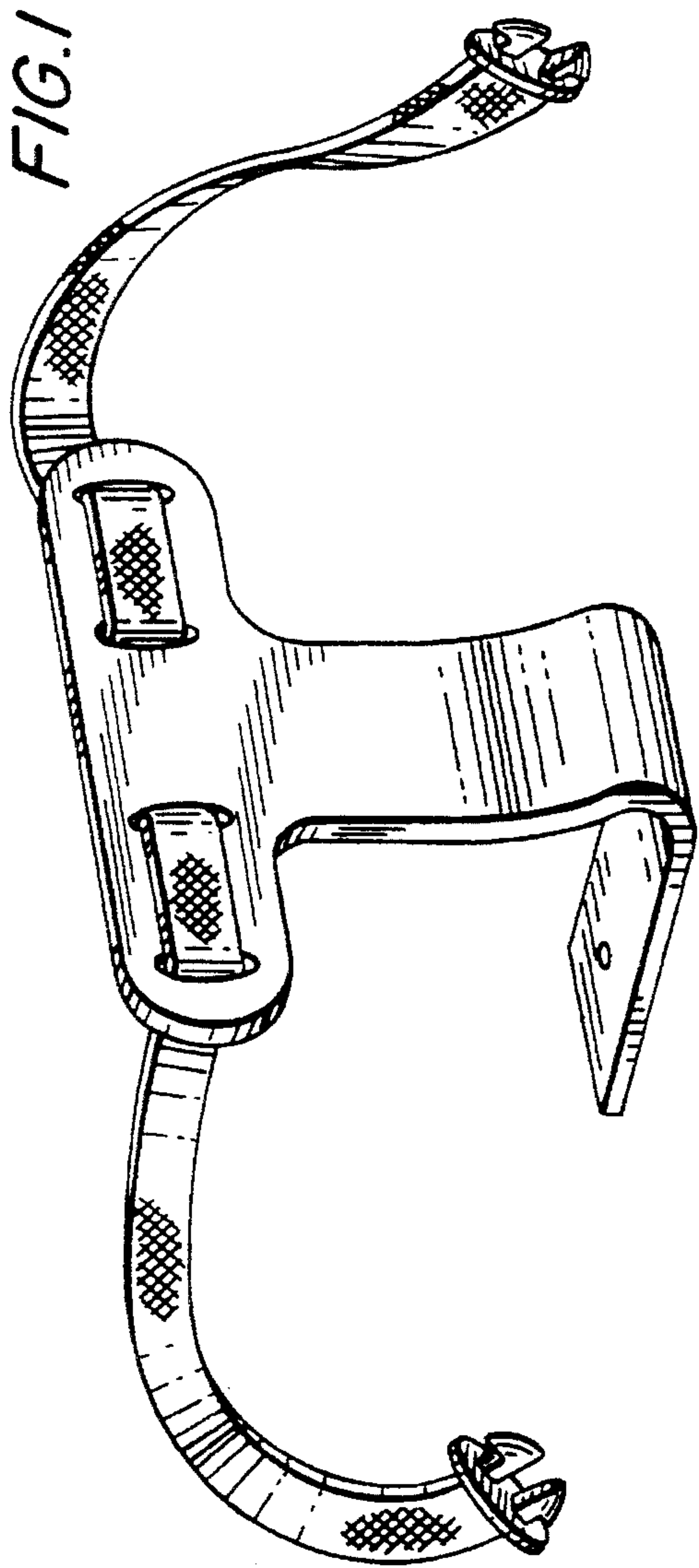


FIG. 3

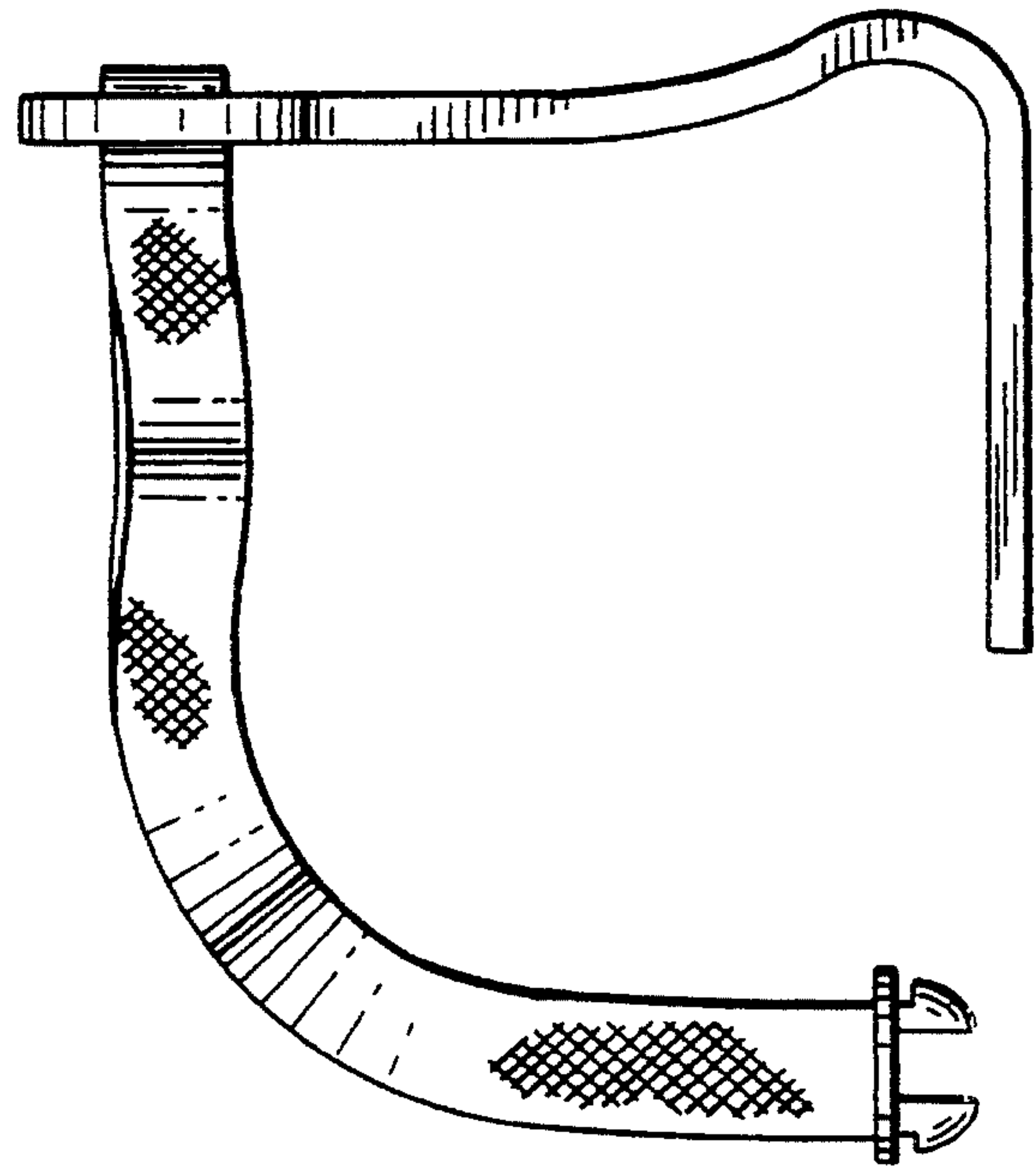


FIG. 2

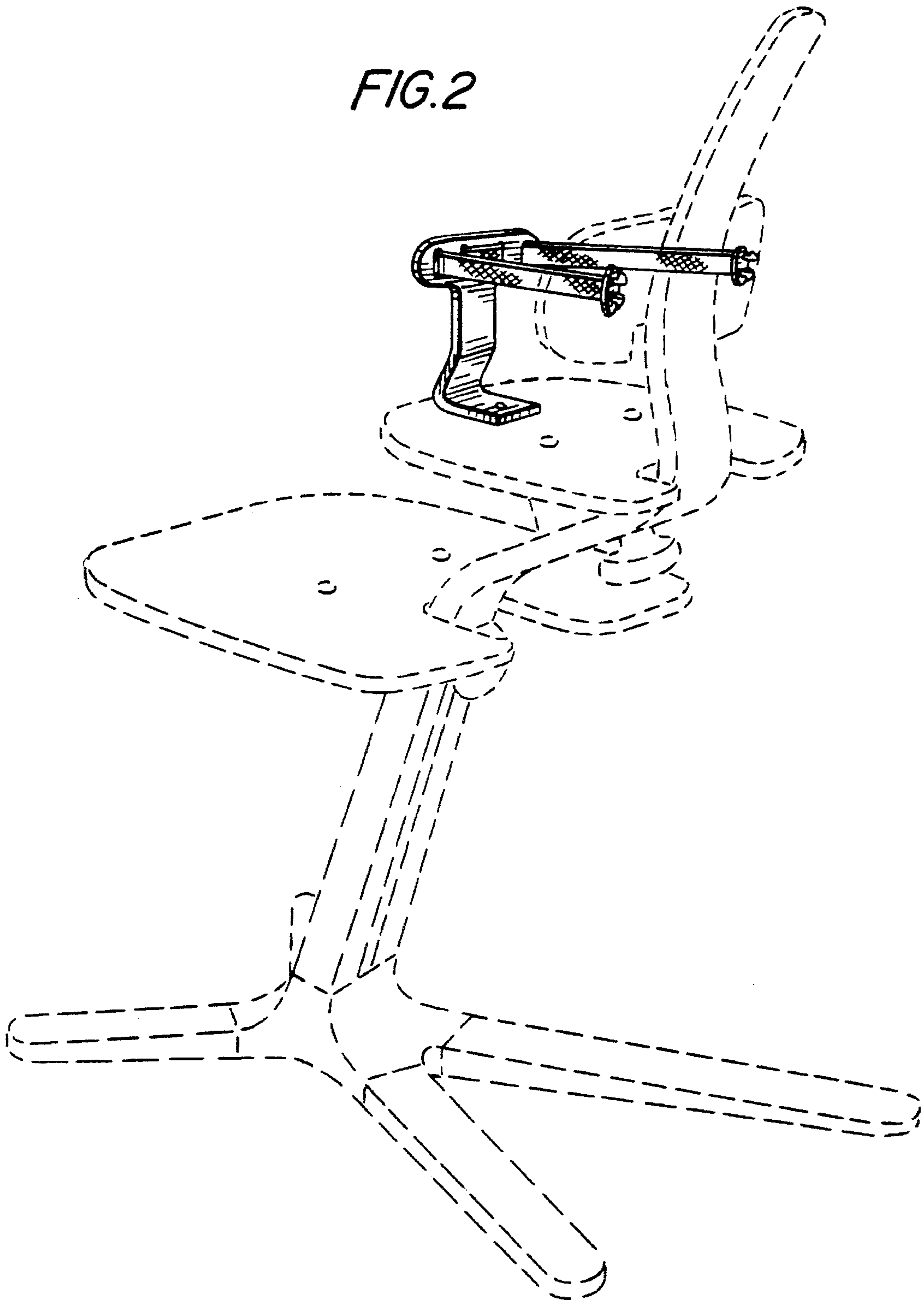


FIG.5

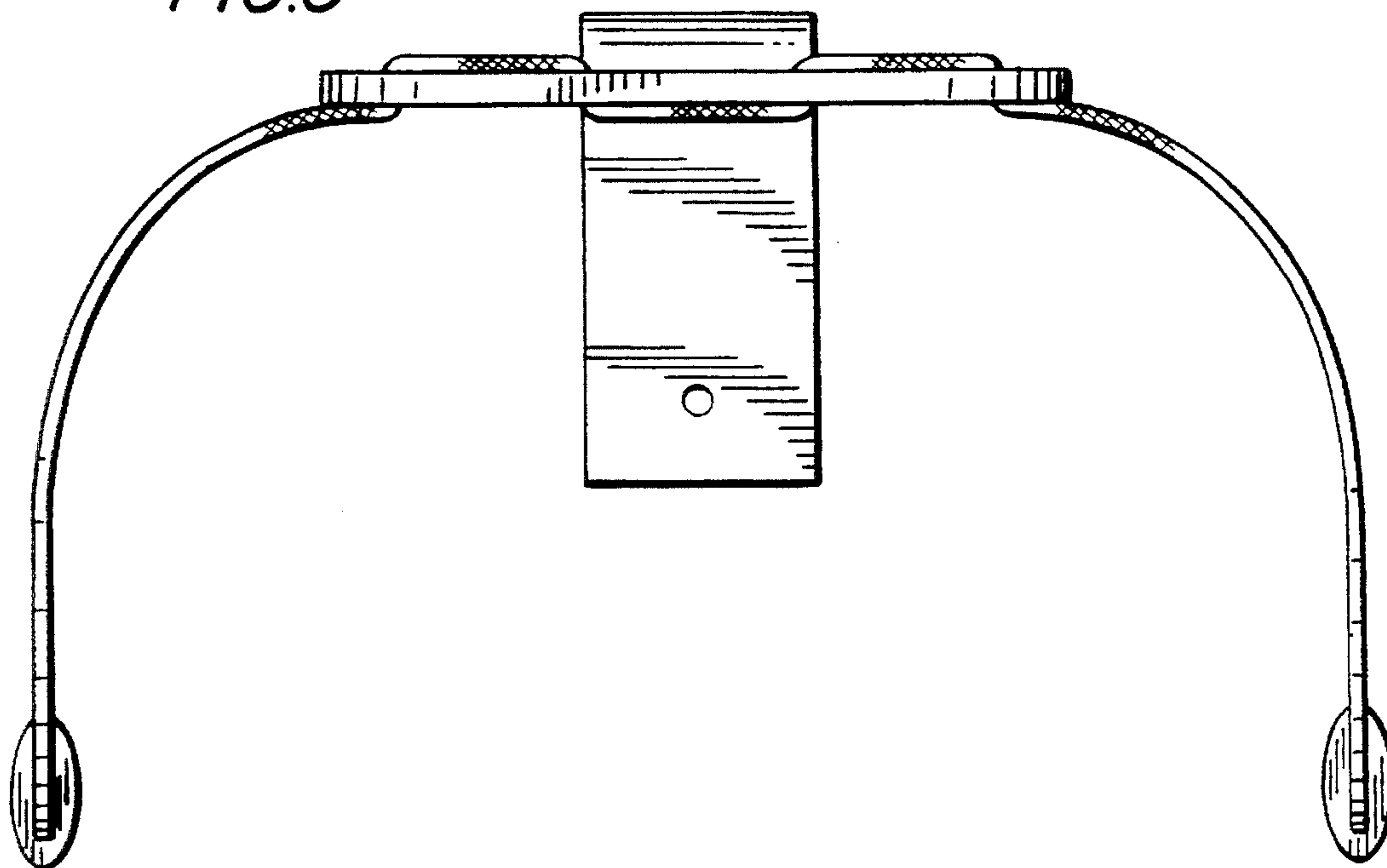
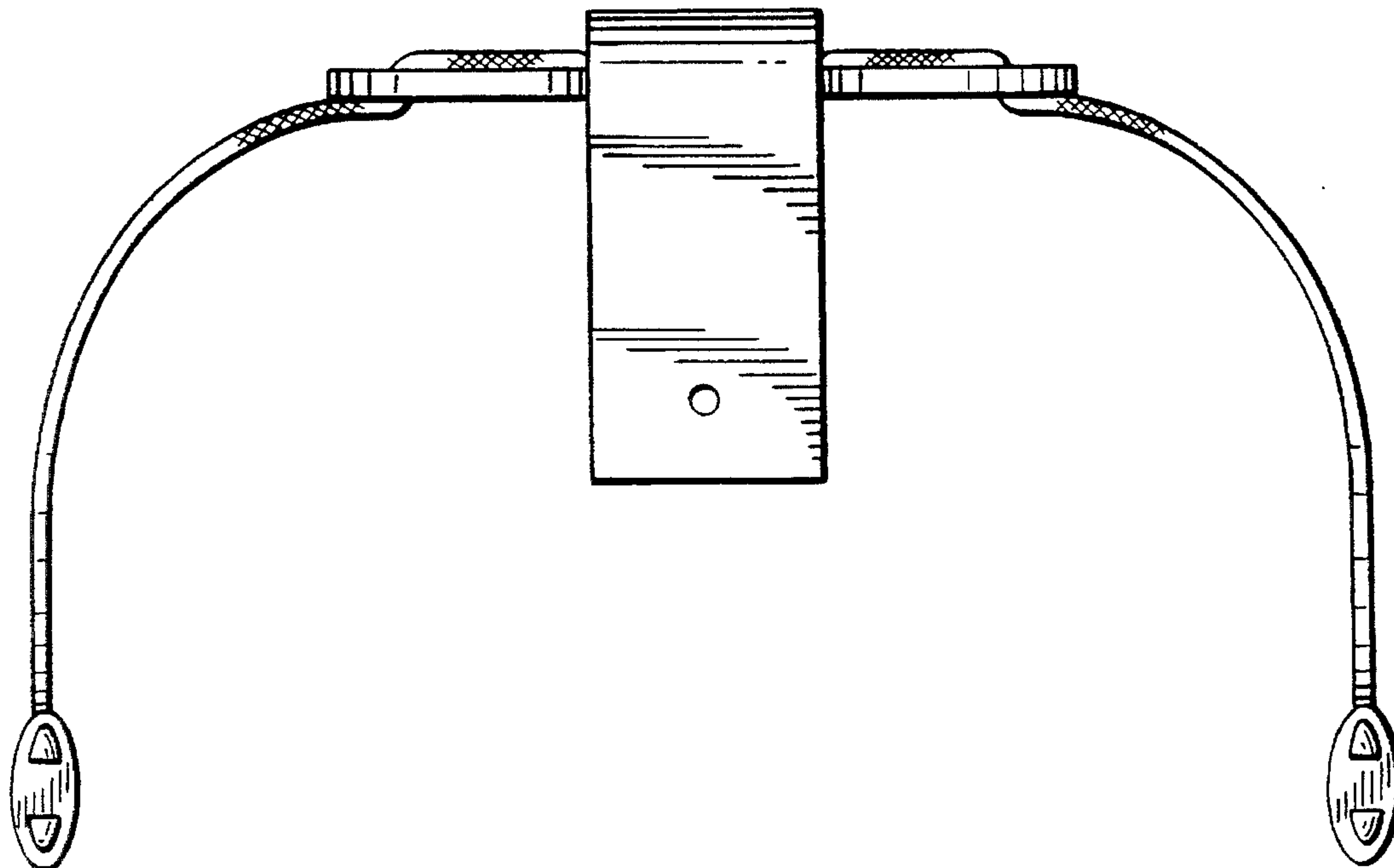


FIG.6



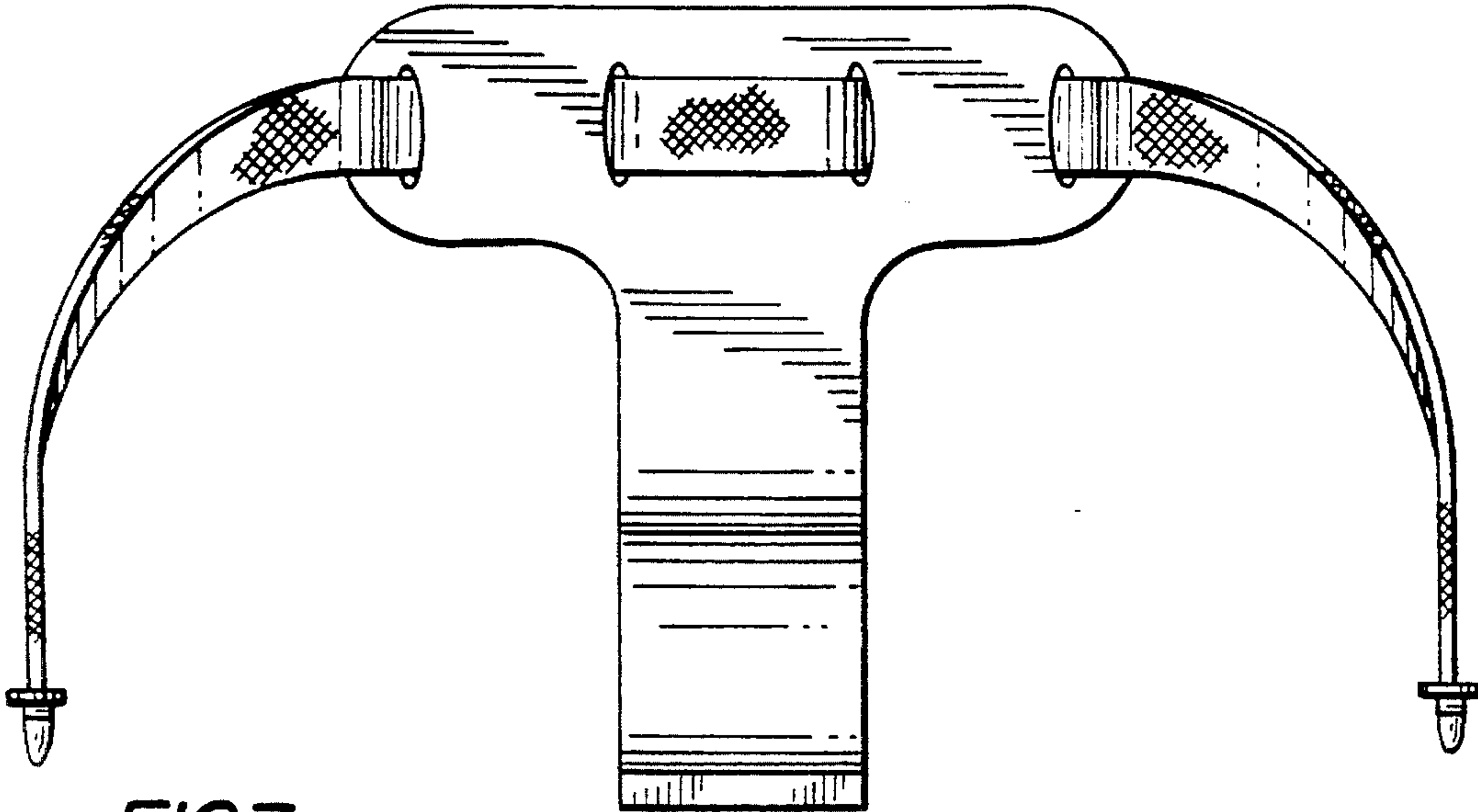


FIG. 7

FIG. 8

