



US00D366978S

United States Patent [19]

[11] Patent Number: **Des. 366,978**

Mariol

[45] Date of Patent: ****Feb. 13, 1996**

[54] **REMOVABLE PLAYYARD CANOPY**

[75] Inventor: **John V. Mariol**, Cincinnati, Ohio

[73] Assignee: **Lisco, Inc.**, Tampa, Fla.

[**] Term: **14 Years**

[21] Appl. No.: **30,632**

[22] Filed: **Nov. 4, 1994**

[52] U.S. Cl. **D6/491**

[58] Field of Search D6/331, 333, 339,
D6/491; 297/184.13, 148-153; 5/414-416,
93.2, 97, 98.1, 99.1, 113, 655

[56] **References Cited**

U.S. PATENT DOCUMENTS

122,737	1/1872	Riter	5/97
2,357,056	8/1944	Nelson	5/113 X
2,579,964	12/1951	Reynolds	5/113 X
2,820,468	1/1958	Park et al.	5/97 X
4,359,792	11/1982	Dale	5/98.1 X
4,823,415	4/1989	Lampard	5/97 X
4,945,584	8/1990	LaMantia	5/414 X

Primary Examiner—Martie Thompson

[57] **CLAIM**

The ornamental design of a removable playyard canopy, as shown and described.

DESCRIPTION

FIG. 1 is a perspective view of a removable playyard canopy showing my new design with the rear panel in the lowered position;

FIG. 2 is a perspective view with the rear panel in the raised position;

FIG. 3 is a left side view thereof;

FIG. 4 is a right side view thereof;

FIG. 5 is a top plan view thereof;

FIG. 6 is a bottom view thereof;

FIG. 7 is a rear view thereof; and,

FIG. 8 is a front view thereof.

The playyard depicted by means of broken lines in FIGS. 1 and 2 is shown for illustrative purposes only and forms no part of the claimed design.

FIGS. 3 through 8 are views of the article as shown in FIG. 1.

1 Claim, 4 Drawing Sheets

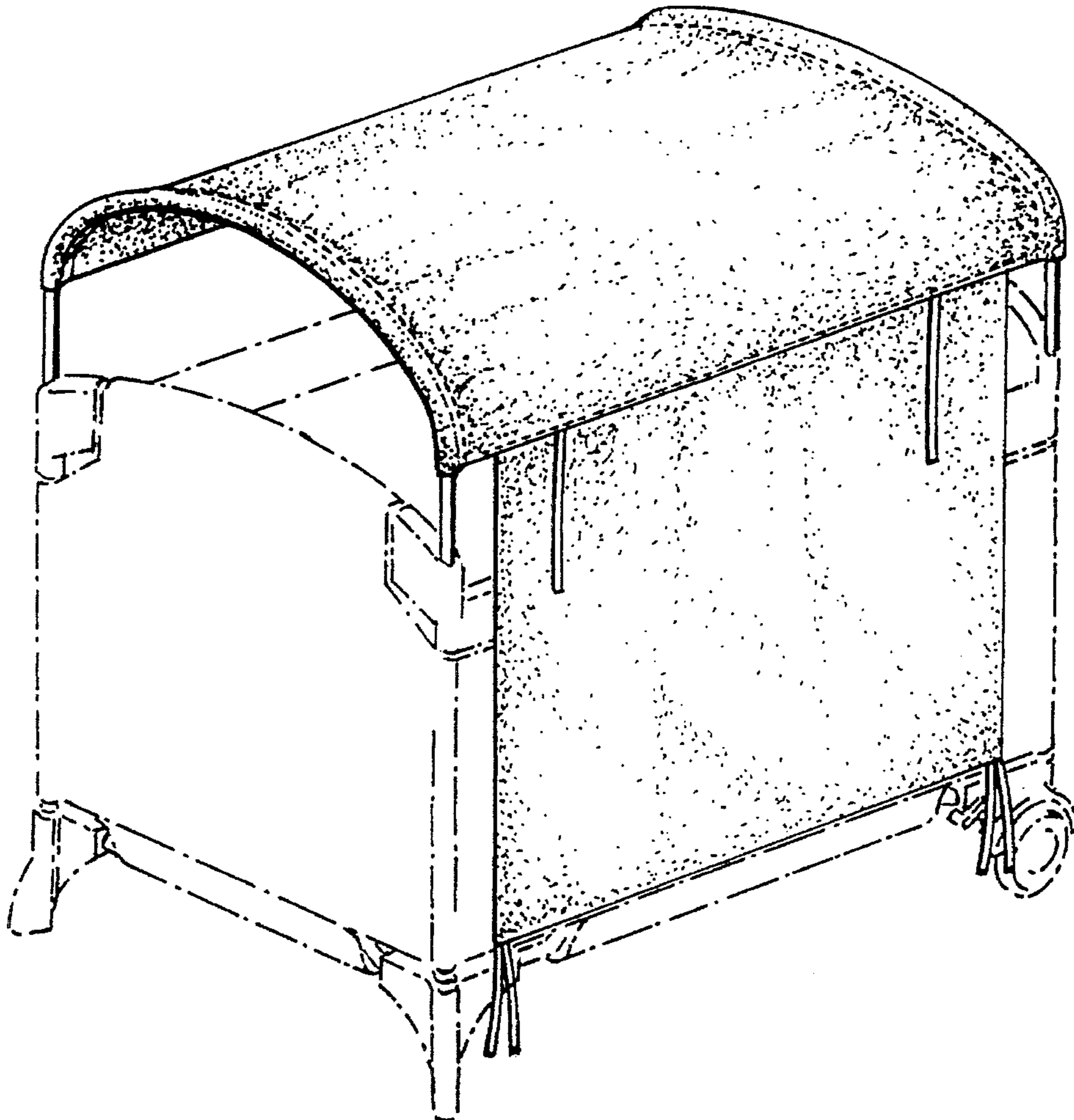


FIG. 1

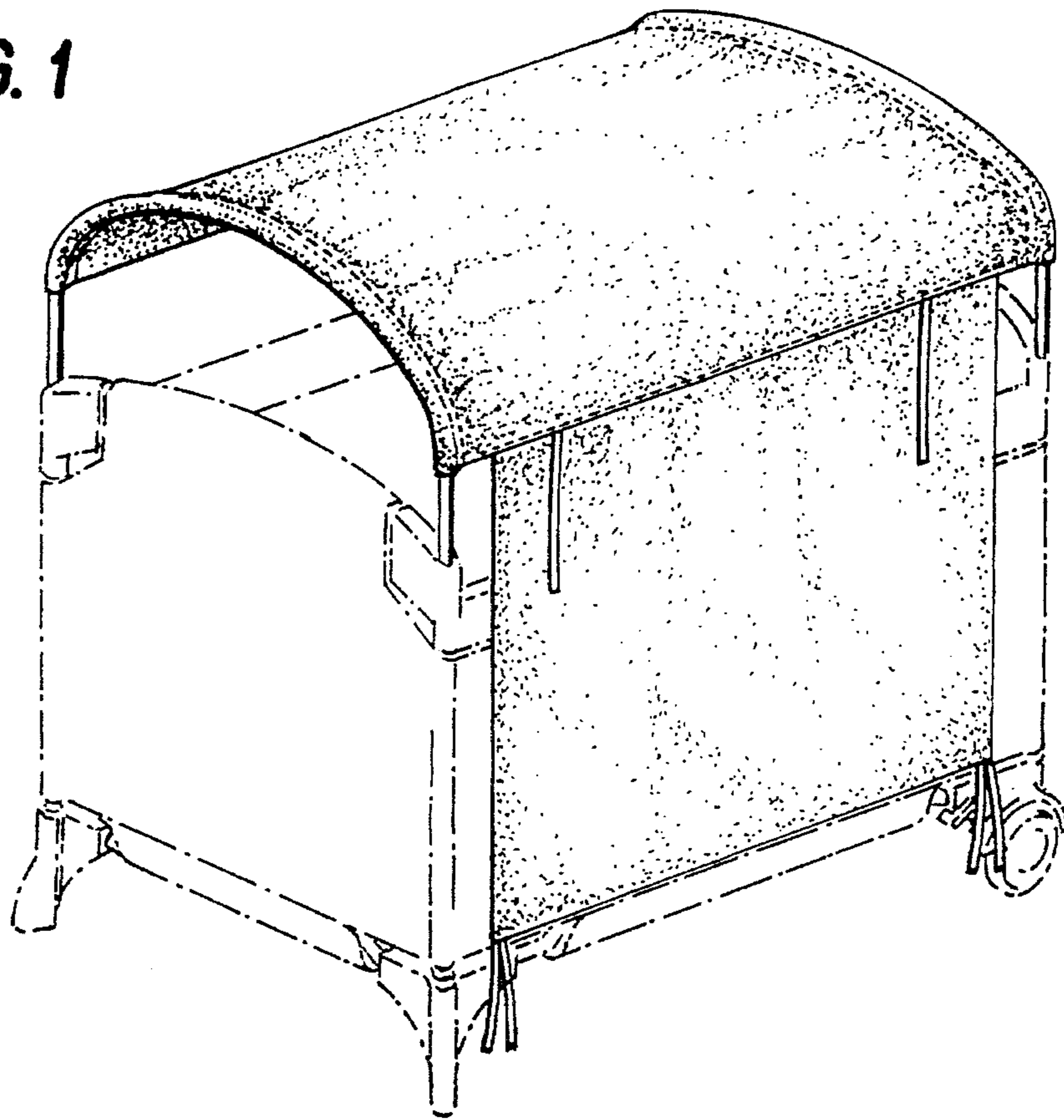


FIG. 2

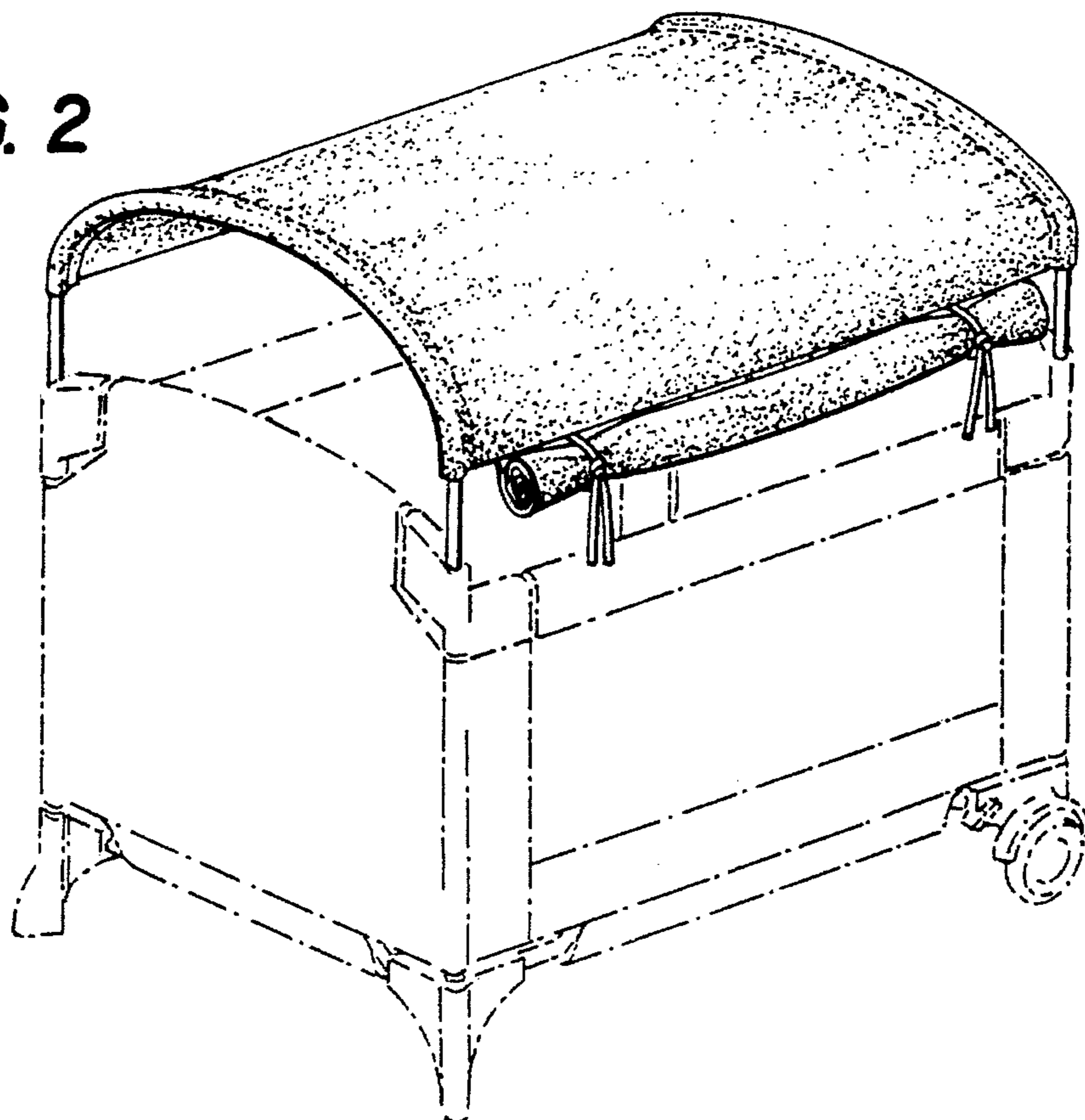




FIG. 3

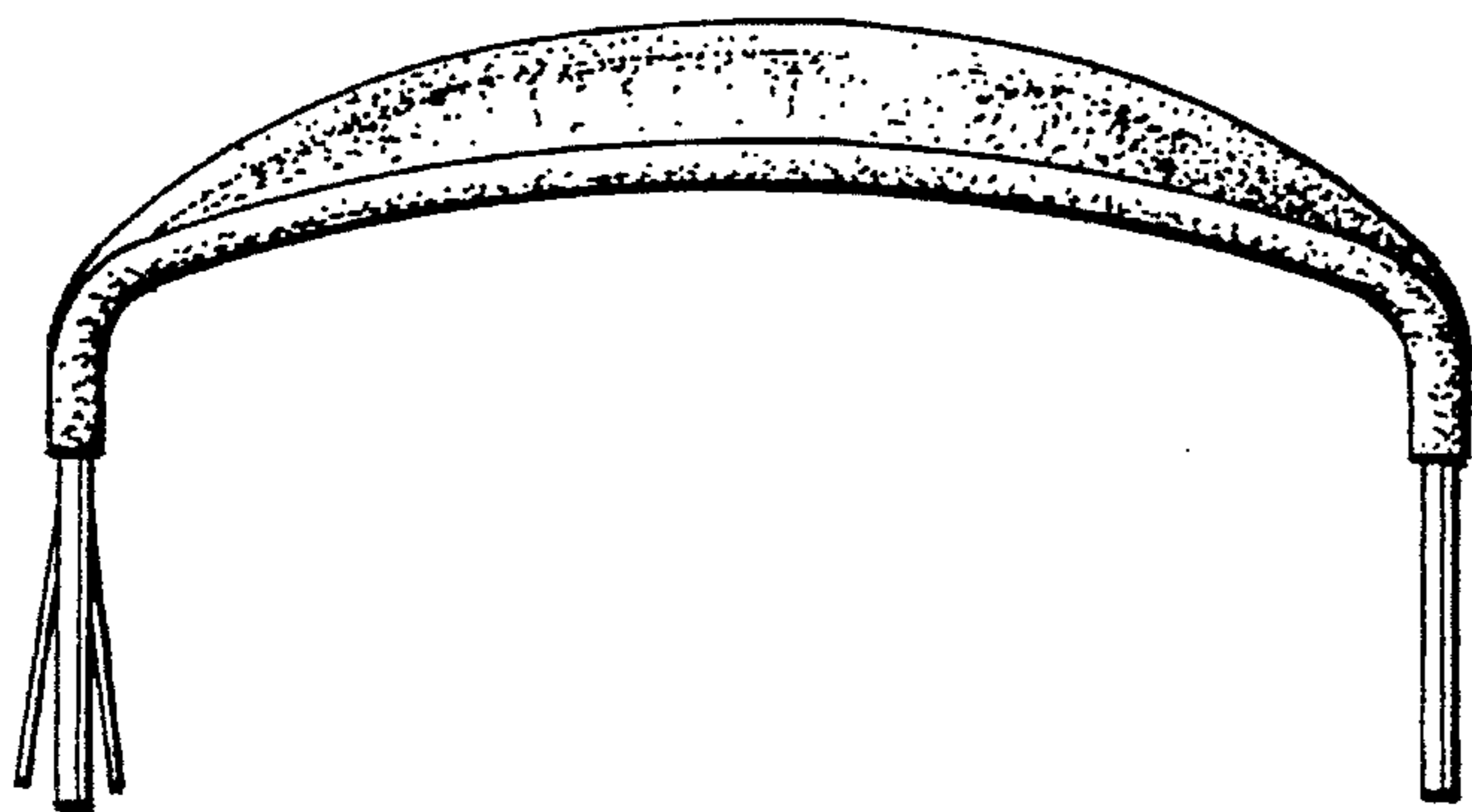


FIG. 4

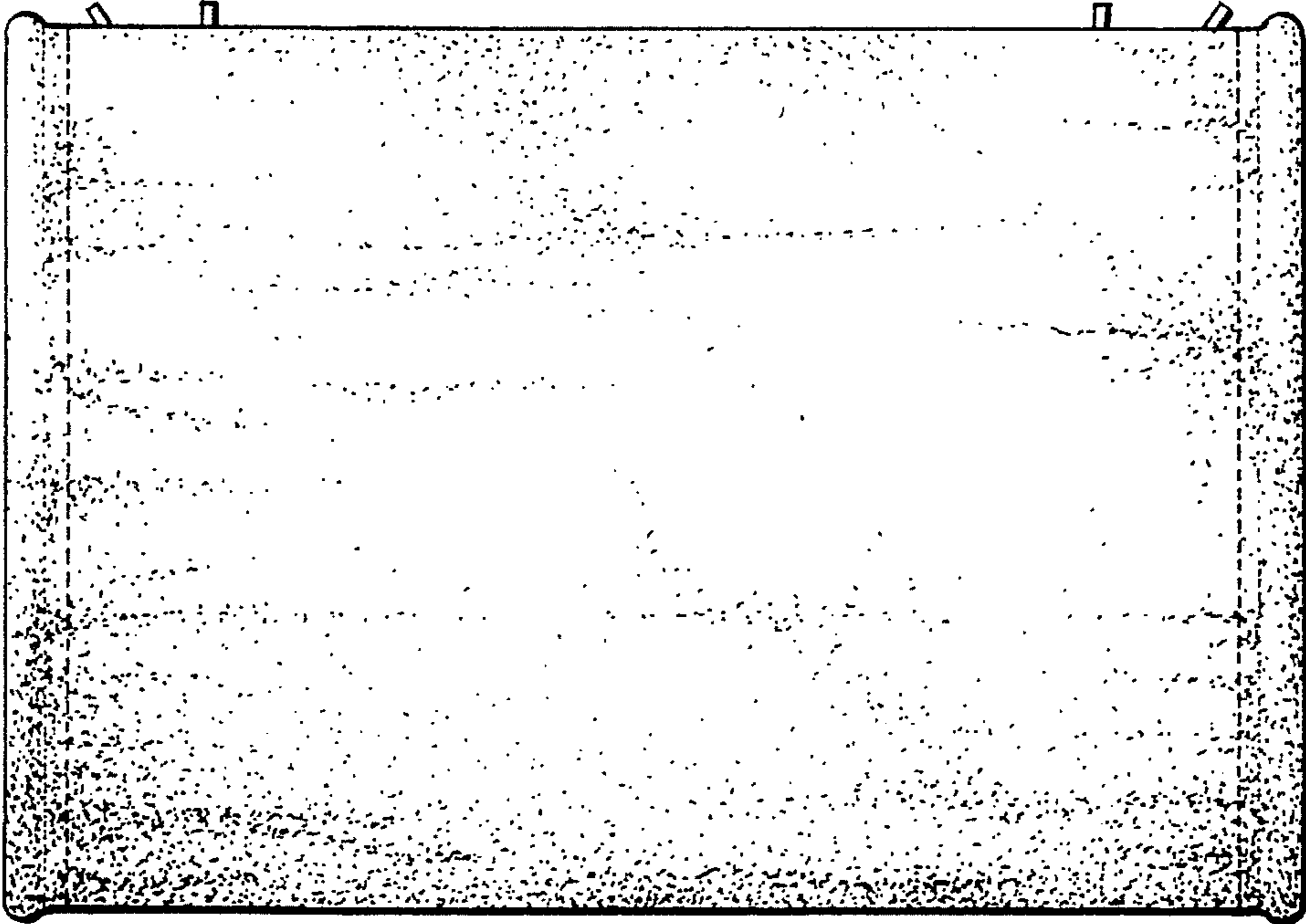


FIG. 5

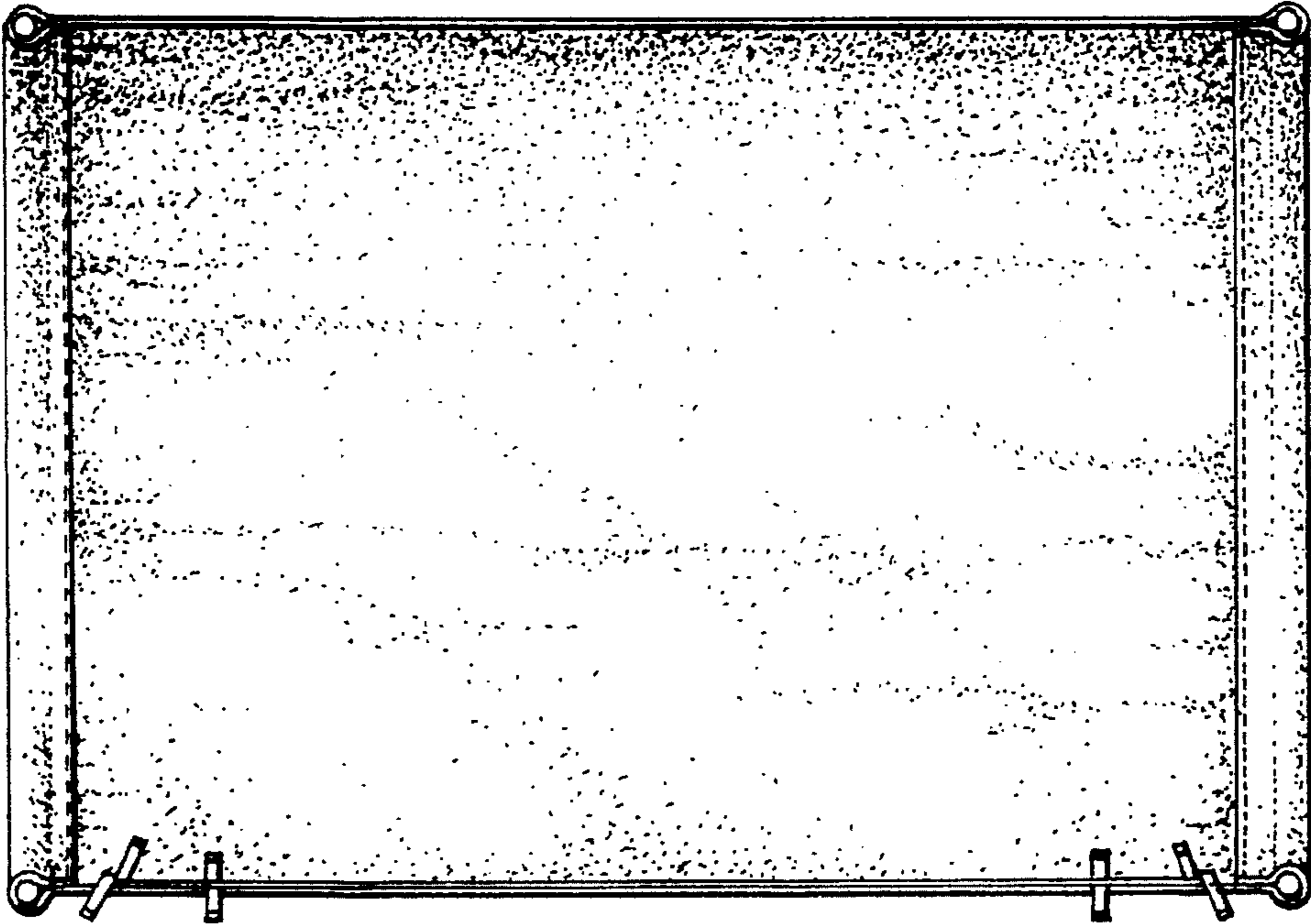


FIG. 6

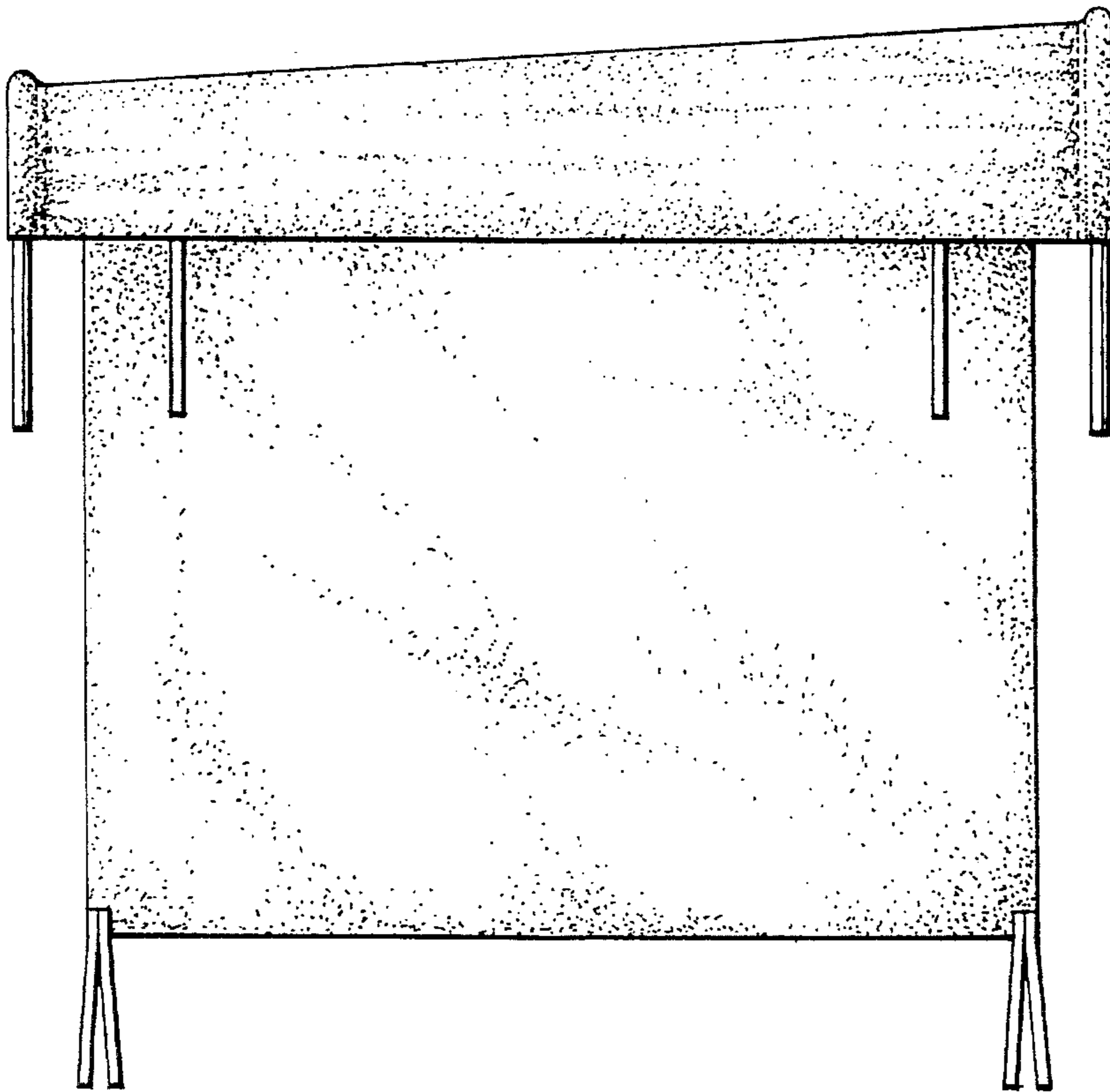


FIG. 7

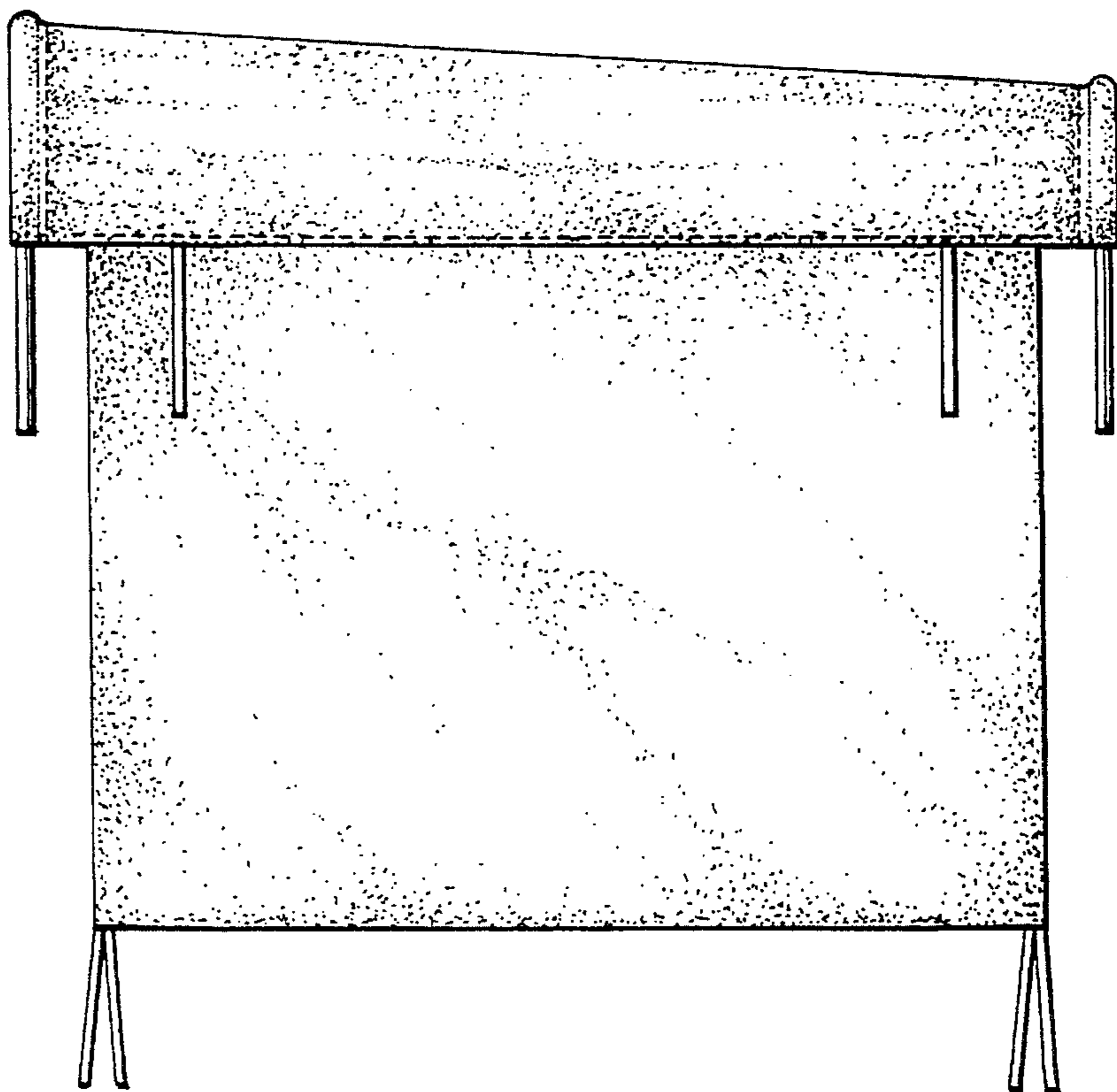


FIG. 8