



US00D366973S

United States Patent [19]

Miller et al.

[11] Patent Number: **Des. 366,973**

[45] Date of Patent: ****Feb. 13, 1996**

[54] SHELF AND DRAWER UNIT

[75] Inventors: **D. Scott Miller**, Orlando, Fla.; **John F. Travers**, North Royalton, Ohio

[73] Assignee: **Rubbermaid Incorporated**, Wooster, Ohio

[**] Term: **14 Years**

[21] Appl. No.: **32,177**

[22] Filed: **Dec. 14, 1994**

[52] U.S. Cl. **D6/445; D6/560**

[58] Field of Search **D6/432-448, 559-561, D6/509-511; 312/320, 330, 245**

[56] References Cited

U.S. PATENT DOCUMENTS

D. 186,116	9/1959	Church	D6/446
D. 205,522	8/1966	Doman	D6/445
D. 241,100	8/1976	Vrignaud	D6/560
D. 263,777	4/1982	Thompson	D6/510 X
D. 281,748	12/1985	Kiiski	D6/446
D. 287,554	1/1987	Radtke	D6/446
D. 288,877	3/1987	Koopman	D6/445
D. 291,633	9/1987	Merzon	D6/446
D. 294,096	2/1988	Murphy	D6/560
D. 330,813	11/1992	Spitzer et al.	D6/432
3,355,231	11/1967	Kegel	312/45

OTHER PUBLICATIONS

Sell sheet, Drawers; P. I. Industries, Vista California. It is believed that the product depicted herein has been on sale for more than one (1) year prior to the application date of this

instant application.

P. 18, Portable changing table; The Little Tikes Company, 2180 Barlow Road, Hudson, Ohio 44236. Publication date 1986.

Catalog page, Drawer; K & B Designs by Keter, address unknown. Published at least as early as May, 1993.

Catalog page; Drawers, Manufacturer unknown. Published at least as early as May, 1993.

Catalog page, Tall Unit; Opalo, address unknown. Published at least as early as May, 1993.

Primary Examiner—Carmen H. Vales-Lado

Attorney, Agent, or Firm—Richard B. O'Planick; Lisa B. Riedesel

[57] CLAIM

The ornamental design for a shelf and drawer unit, as shown and described.

DESCRIPTION

FIG. 1 is a top left front perspective view of a shelf and drawer unit showing our new design. The surface pattern which is fragmentally shown is understood to repeat uniformly and continuously across the entire indicated surface; FIG. 2 is a front elevational view thereof;

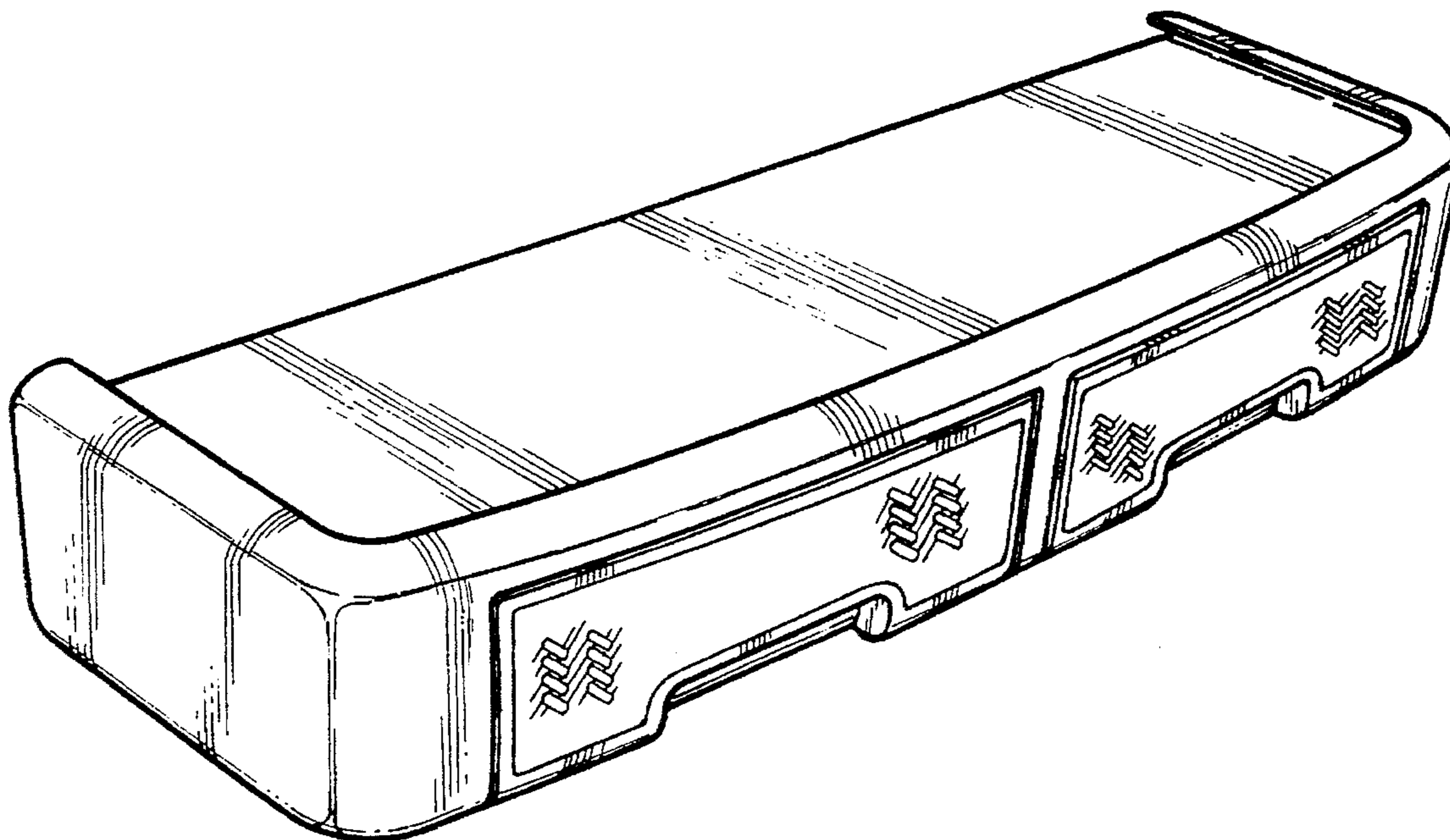
FIG. 3 is a top plan view thereof;

FIG. 4 is a left side elevational view thereof; the right side elevational view being a mirror image;

FIG. 5 is a rear elevational view thereof; and,

FIG. 6 is a bottom plan view thereof.

1 Claim, 2 Drawing Sheets



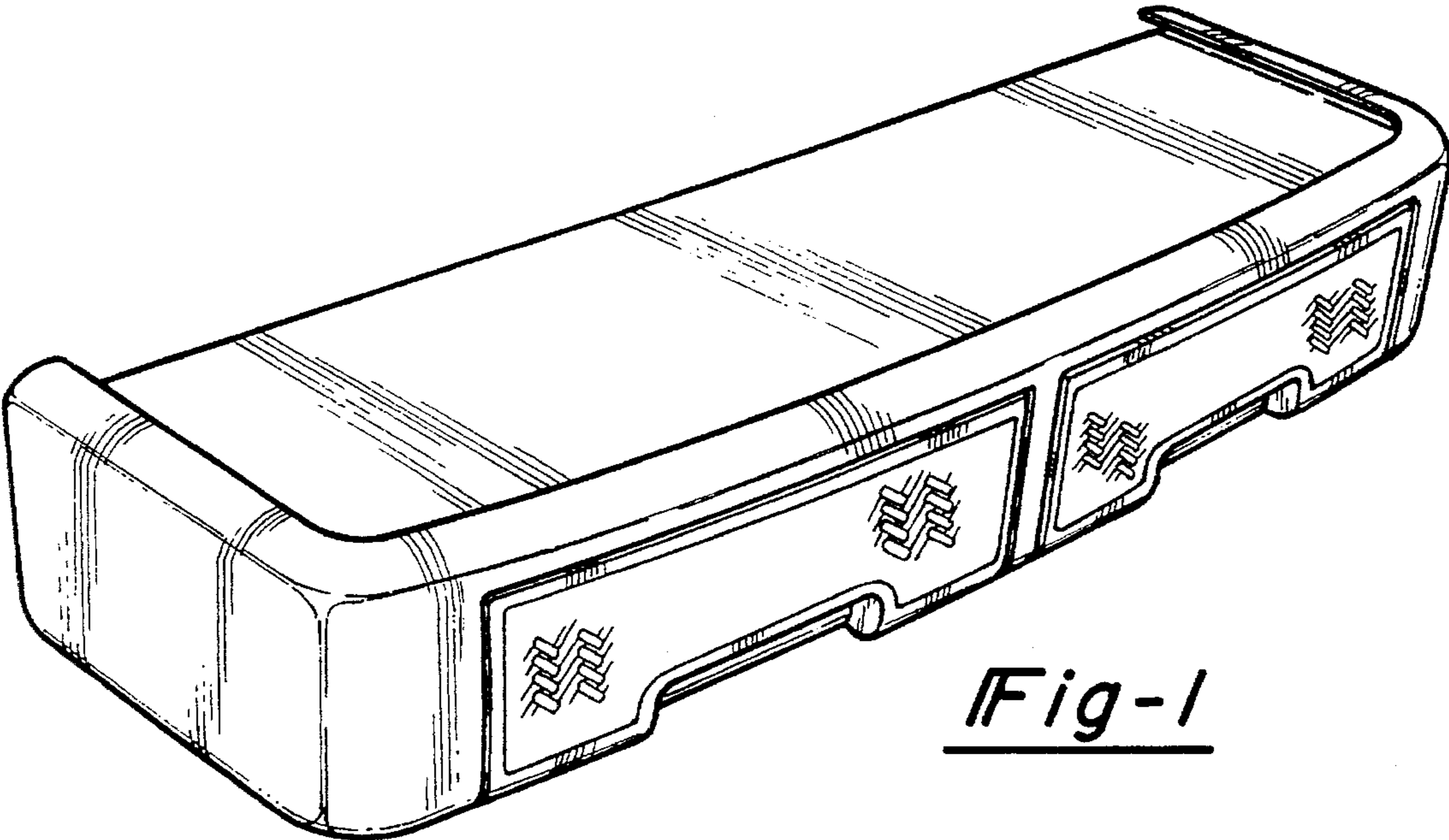


Fig-1

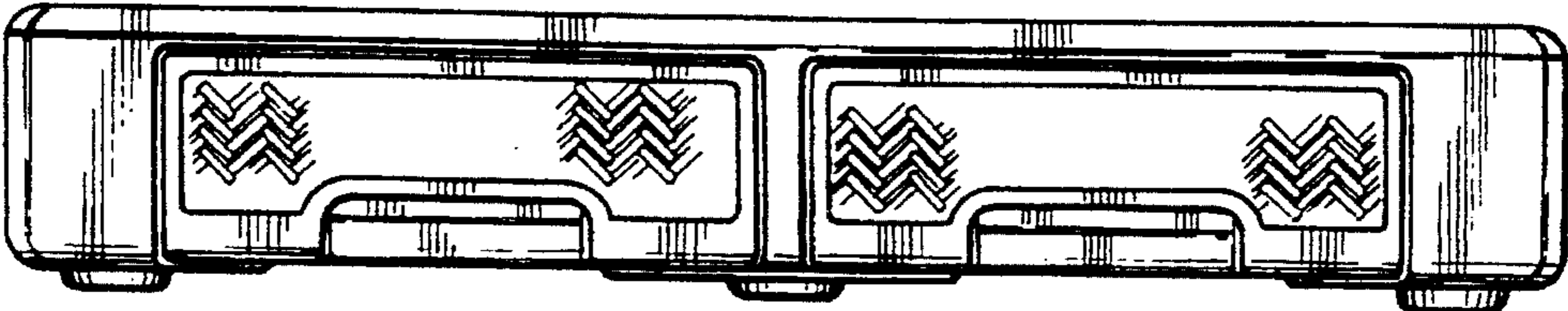


Fig-2

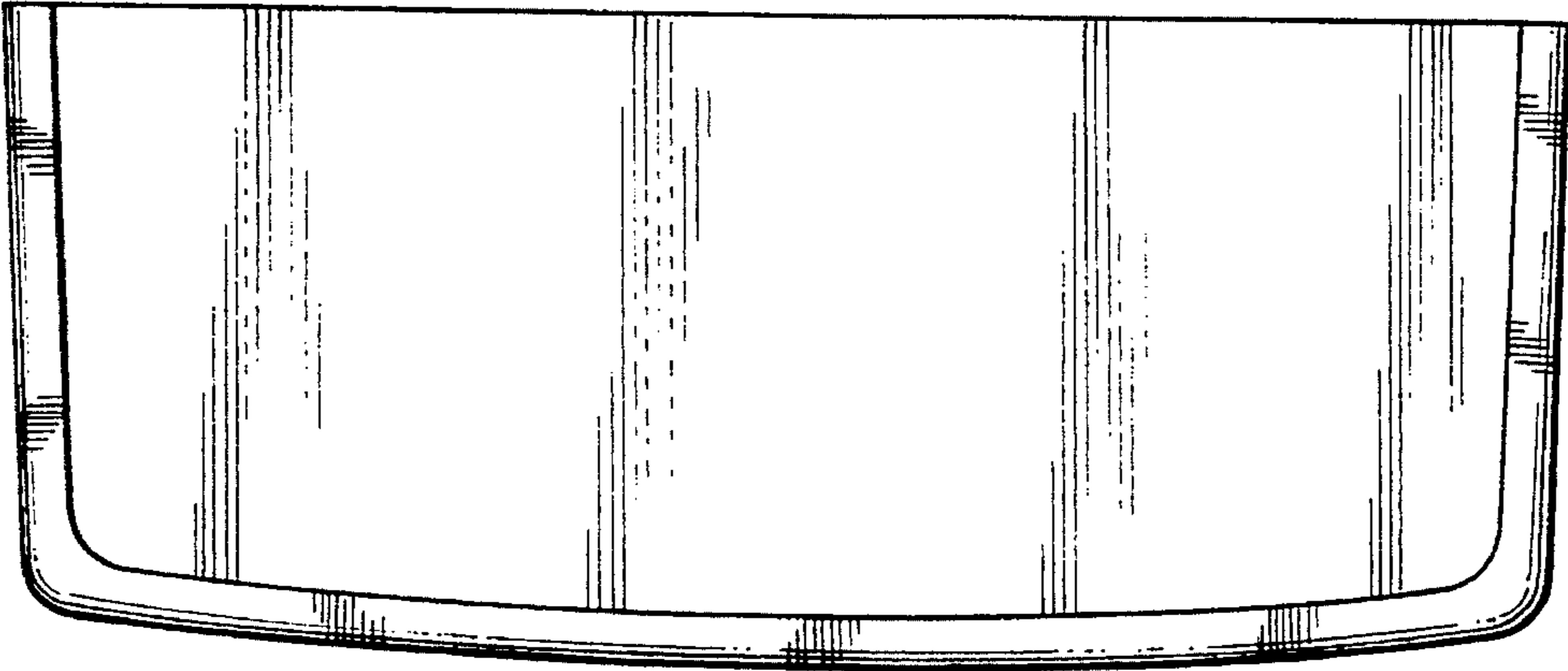


Fig-3

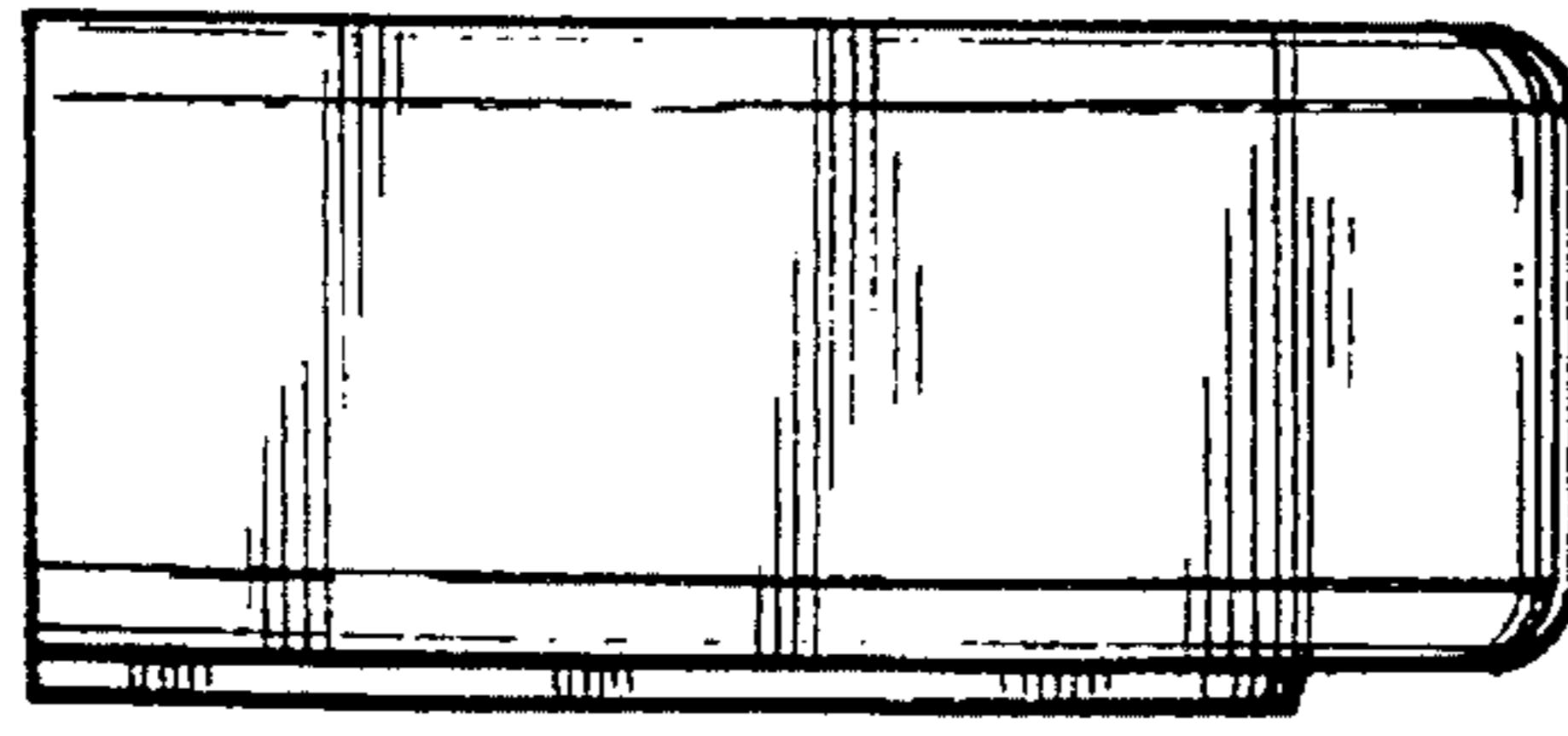


Fig-4

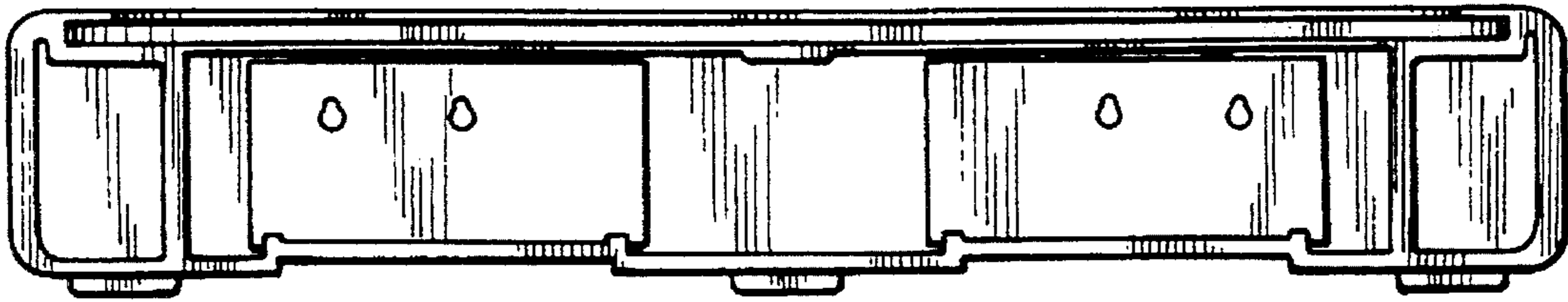


Fig-5

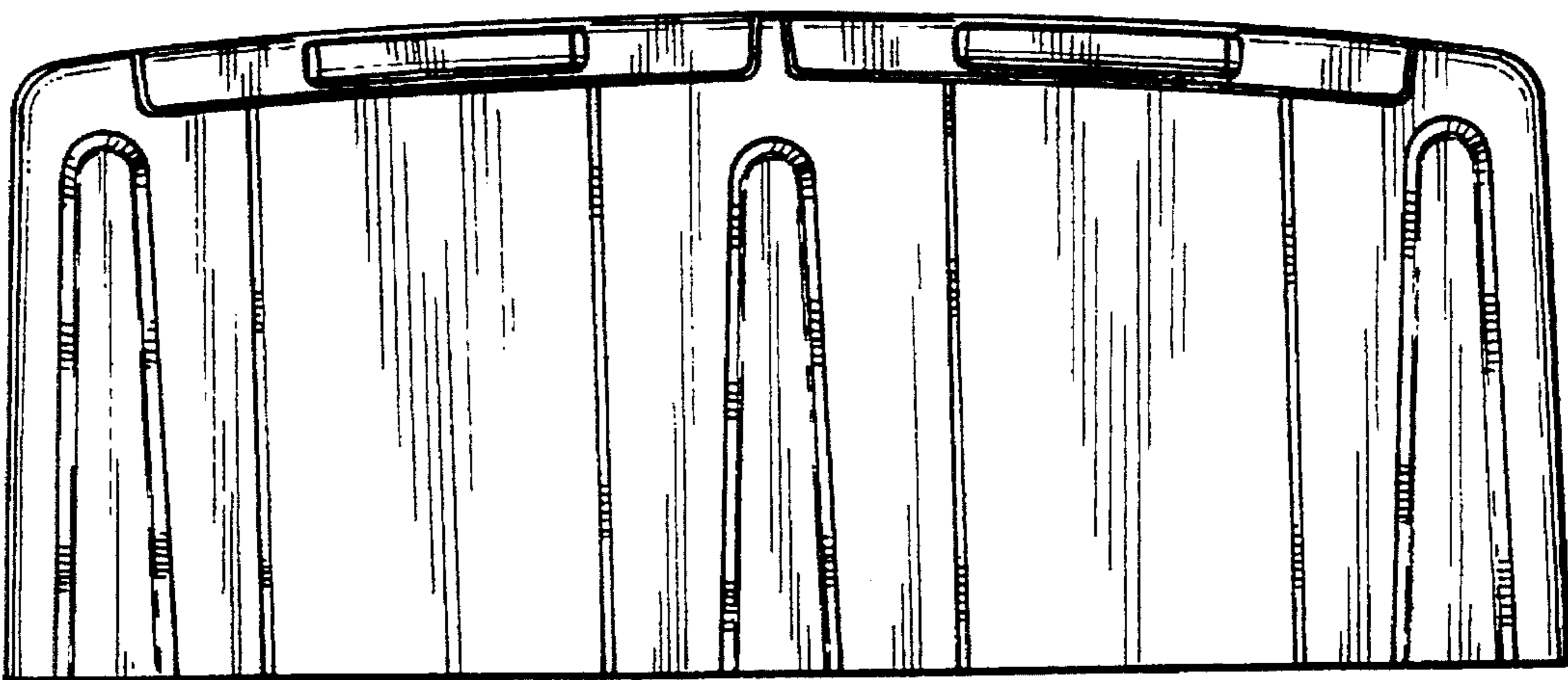


Fig-6