



US00D366972S

United States Patent [19]
Thompson

[11] **Patent Number: Des. 366,972**

[45] **Date of Patent: **Feb. 13, 1996**

[54] **CD HOLDER**

[76] Inventor: **Janet Thompson**, 8207 DeLongpre Ave., #8, Los Angeles, Calif. 90046

[**] Term: **14 Years**

[21] Appl. No.: **6,965**

[22] Filed: **Apr. 12, 1993**

[52] U.S. Cl. **D6/407**

[58] Field of Search D6/396, 405, 406, D6/407, 465, 466, 467, 468, 626-635, 421, 471, 474, 475, 476, 477, 478, 479; D14/121; D19/75, 83, 86, 91; 211/40-42; 206/387

[56] **References Cited**

U.S. PATENT DOCUMENTS

| | | | |
|------------|---------|--------------------|----------|
| D. 202,195 | 9/1965 | Propst | D6/570 |
| D. 216,025 | 11/1969 | Gianfagna | D6/421 |
| D. 338,788 | 8/1993 | Evans | D6/479 |
| D. 348,365 | 7/1994 | Johnson | D6/471 |
| 1,477,634 | 12/1923 | Connor | 211/42 X |
| 2,043,133 | 6/1936 | Walter | D6/479 X |
| 3,149,724 | 9/1964 | Magers | 211/42 |
| 3,387,713 | 6/1968 | Brooks | 211/42 X |
| 3,871,435 | 3/1975 | Lopatka | D6/421 X |
| 5,000,526 | 3/1991 | Comerford | 211/40 X |
| 5,119,948 | 6/1992 | Hallgrimsson | 211/42 X |

FOREIGN PATENT DOCUMENTS

705605 5/1966 Italy 211/42
603688 6/1948 United Kingdom 211/42

OTHER PUBLICATIONS

Lit-Ning Products Catalog, desk top book rack, p. 6 ©1966.
Uniweb Catalog, Shelving, p. 20, 1985/86.
Wallmaster Modular Systems, Angled Shelf Tray, p. 16.

Primary Examiner—Alan P. Douglas
Assistant Examiner—S. Snapp
Attorney, Agent, or Firm—Denton L. Anderson; Sheldon & Mak, Inc.

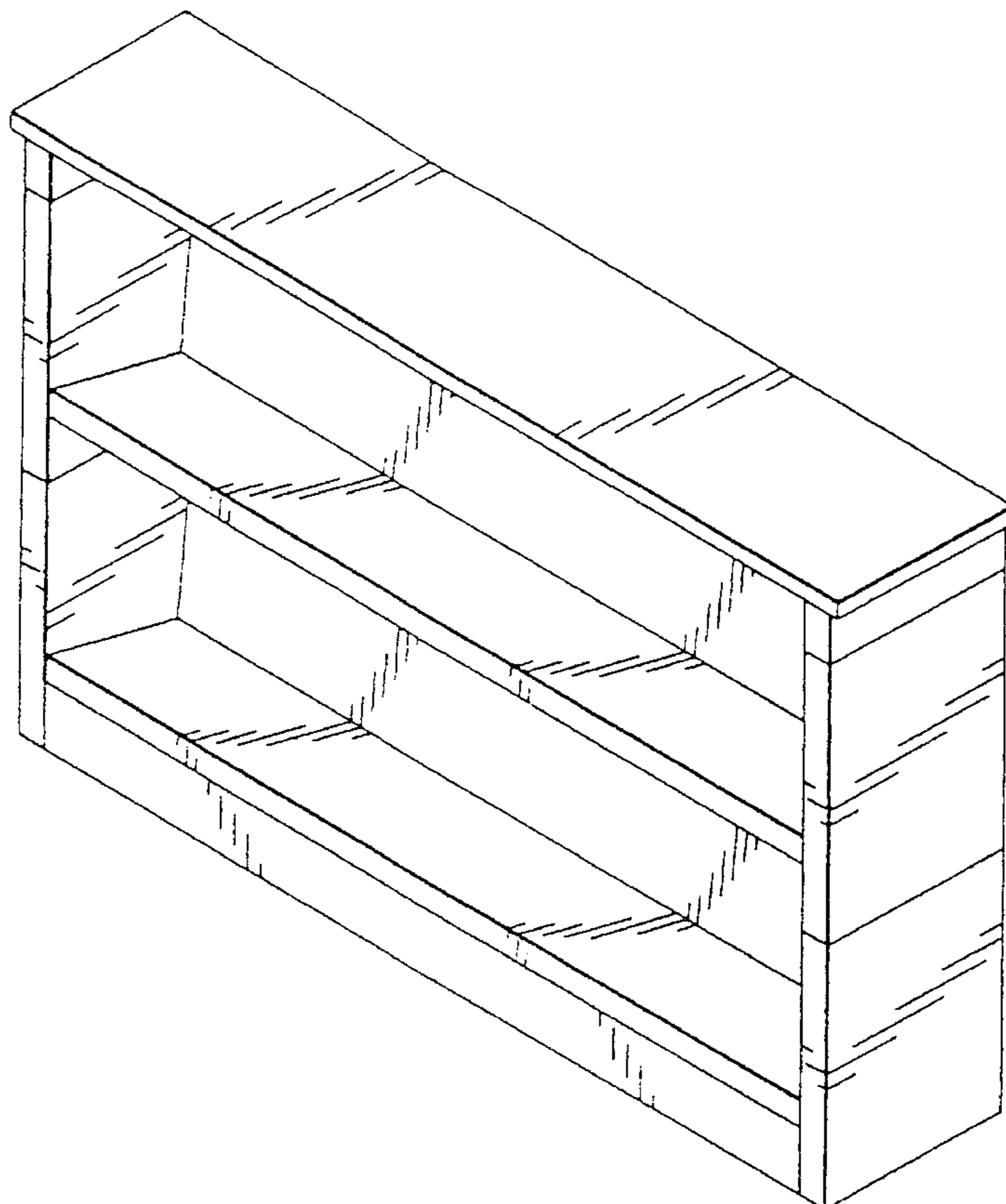
[57] **CLAIM**

The ornamental design for a CD holder, as shown and described.

DESCRIPTION

FIG. 1 is a top perspective view of a first embodiment of the CD holder showing a dual shelf thereof;
FIG. 2 is a bottom perspective view of a first embodiment of the CD holder showing a dual shelf thereof;
FIG. 3 is a front perspective view of a second embodiment of the CD holder showing multi shelves thereof; and,
FIG. 4 is a back perspective view of a second embodiment of the CD holder showing multi shelves thereof.

1 Claim, 2 Drawing Sheets



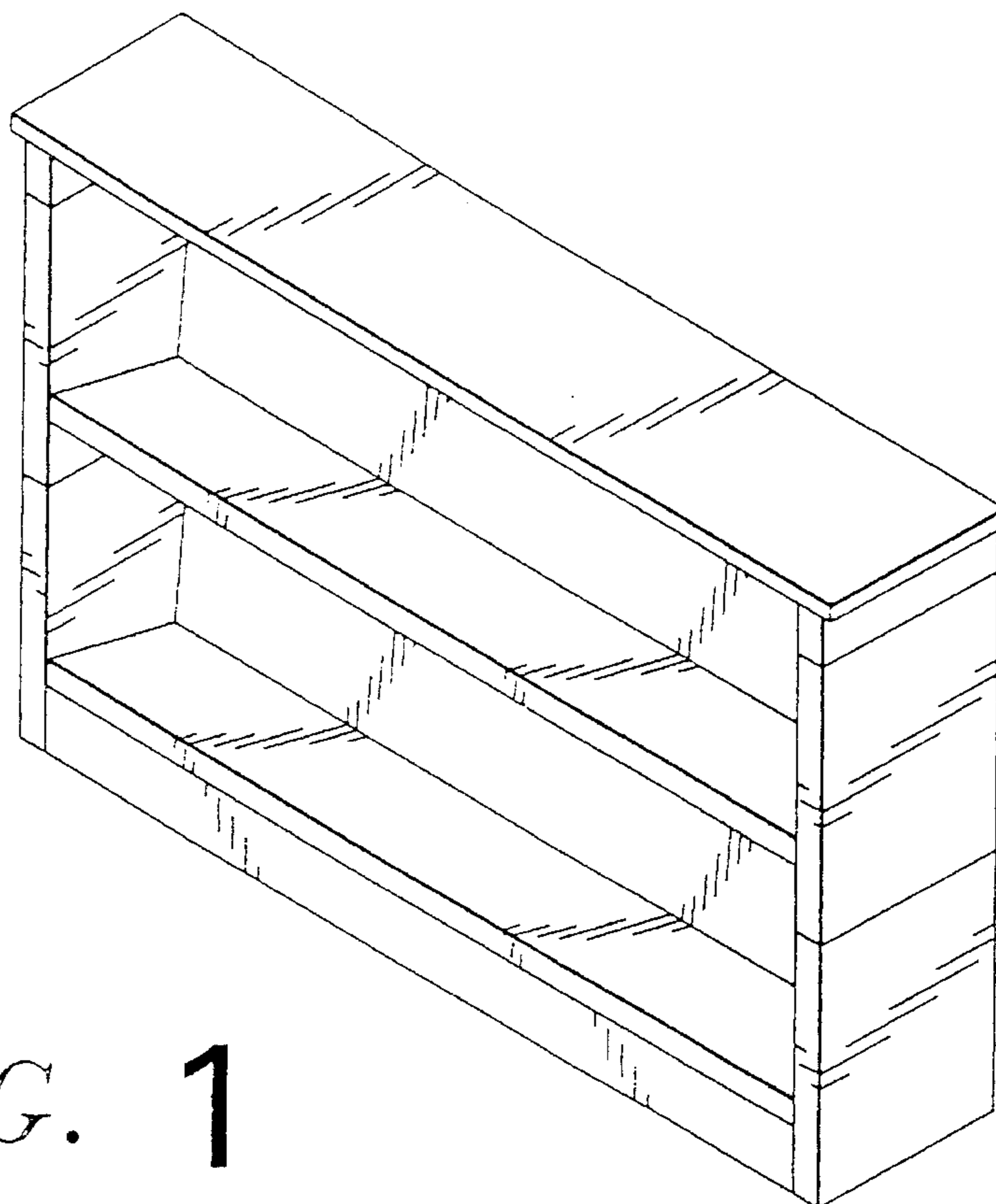


FIG. 1

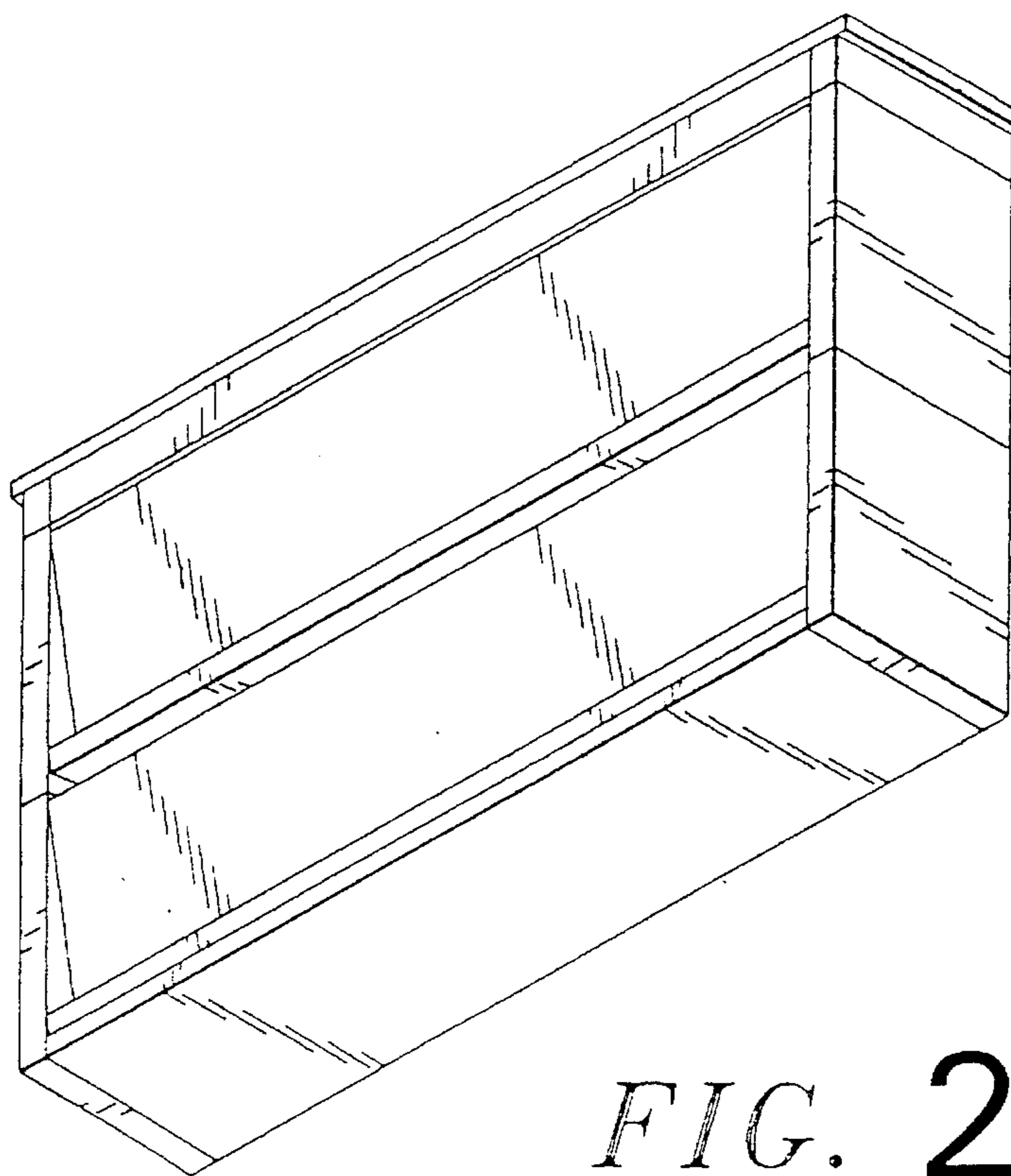


FIG. 2

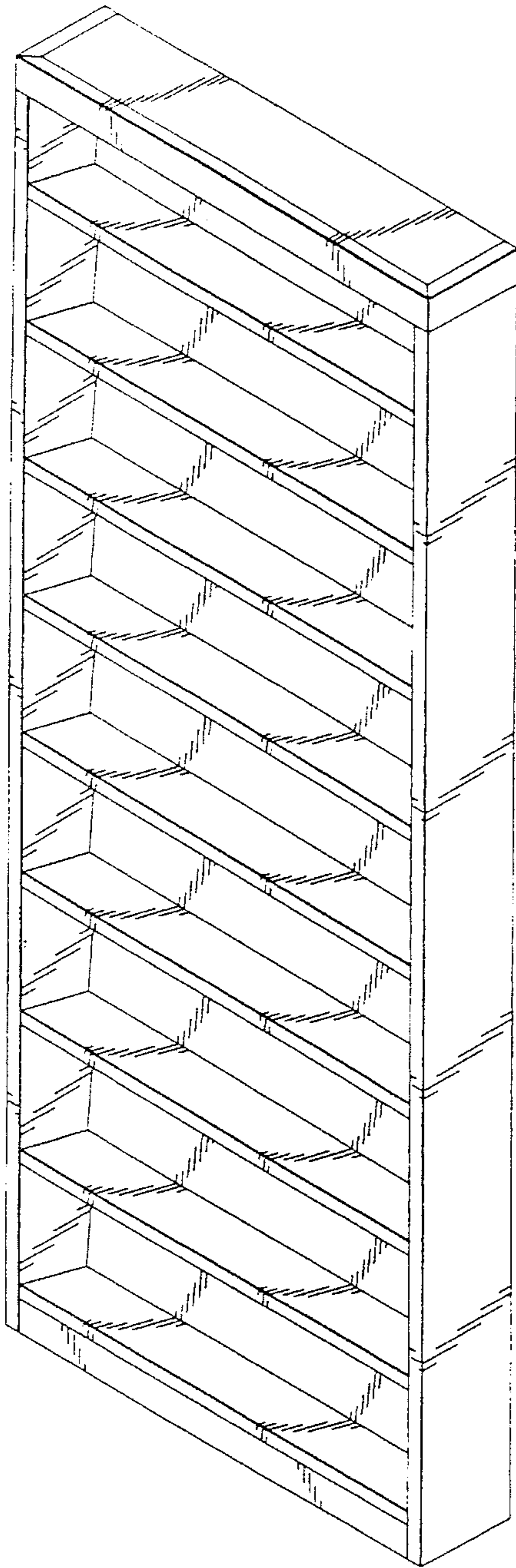


FIG. 3

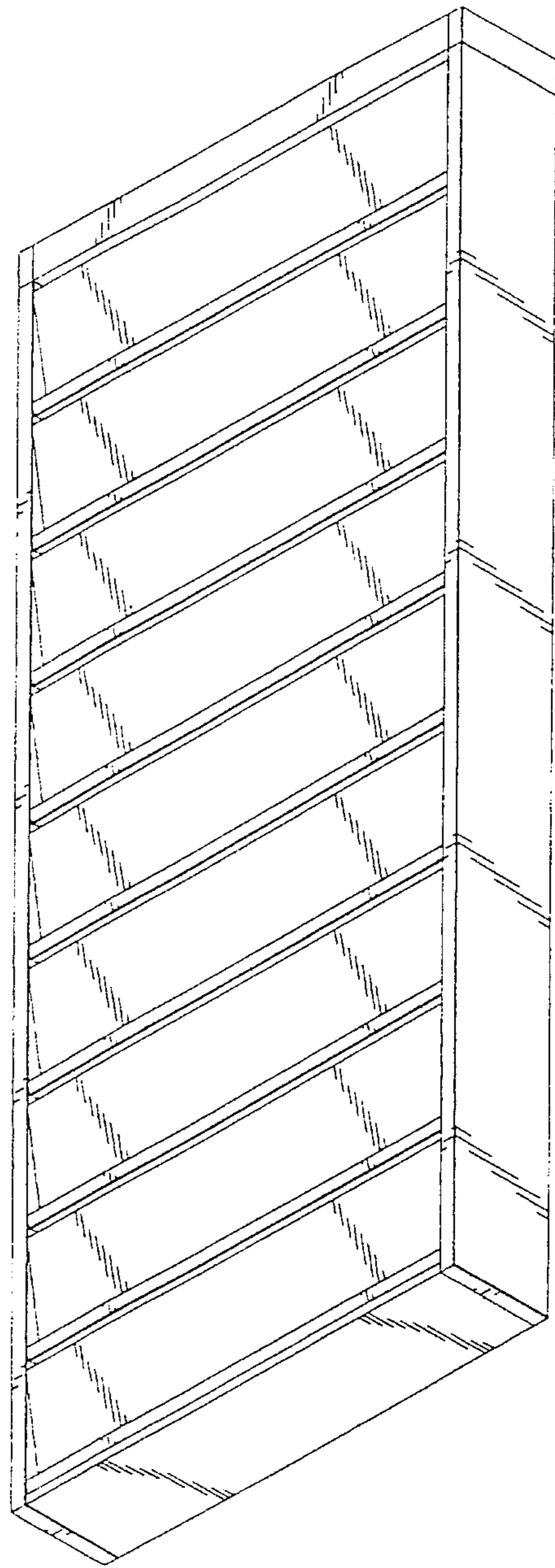


FIG. 4