



US00D366967S

# United States Patent [19]

Meeker et al.

[11] Patent Number: **Des. 366,967**

[45] Date of Patent: **\*\*Feb. 13, 1996**

[54] **CONVERTIBLE HIGH CHAIR**

5,087,097 2/1992 Hehn ..... 297/149 X  
5,238,292 8/1993 Golenz et al. .... 297/153

[75] Inventors: **Paul K. Meeker**, Hiram; **William R. Gibson**, Canton; **Jeffrey T. Champ**, Aurora, all of Ohio

### OTHER PUBLICATIONS

J. C. Penny For Baby © 1992, p. 41, see circled high chair upper left.

[73] Assignee: **Lisco, Inc.**, Tampa, Fla.

*Primary Examiner*—Martie Thompson

[\*\*] Term: **14 Years**

### [57] CLAIM

[21] Appl. No.: **30,561**

The ornamental design for a convertible high chair, as shown and described.

[22] Filed: **Nov. 1, 1994**

[52] U.S. Cl. .... **D6/339**

### DESCRIPTION

[58] Field of Search ..... D6/331, 333, 339, D6/390, 491; 297/216.1, 216.11, 219.12, 250.1-256, 184.13, 148-153; 5/414-416; D12/129

FIG. 1 is a perspective view of the convertible high chair showing the design of our invention; FIG. 2 is a front view thereof; FIG. 3 is a top plan view thereof; FIG. 4 is a bottom view thereof; FIG. 5 is a rear view thereof; and, FIG. 6 is a left side view thereof.

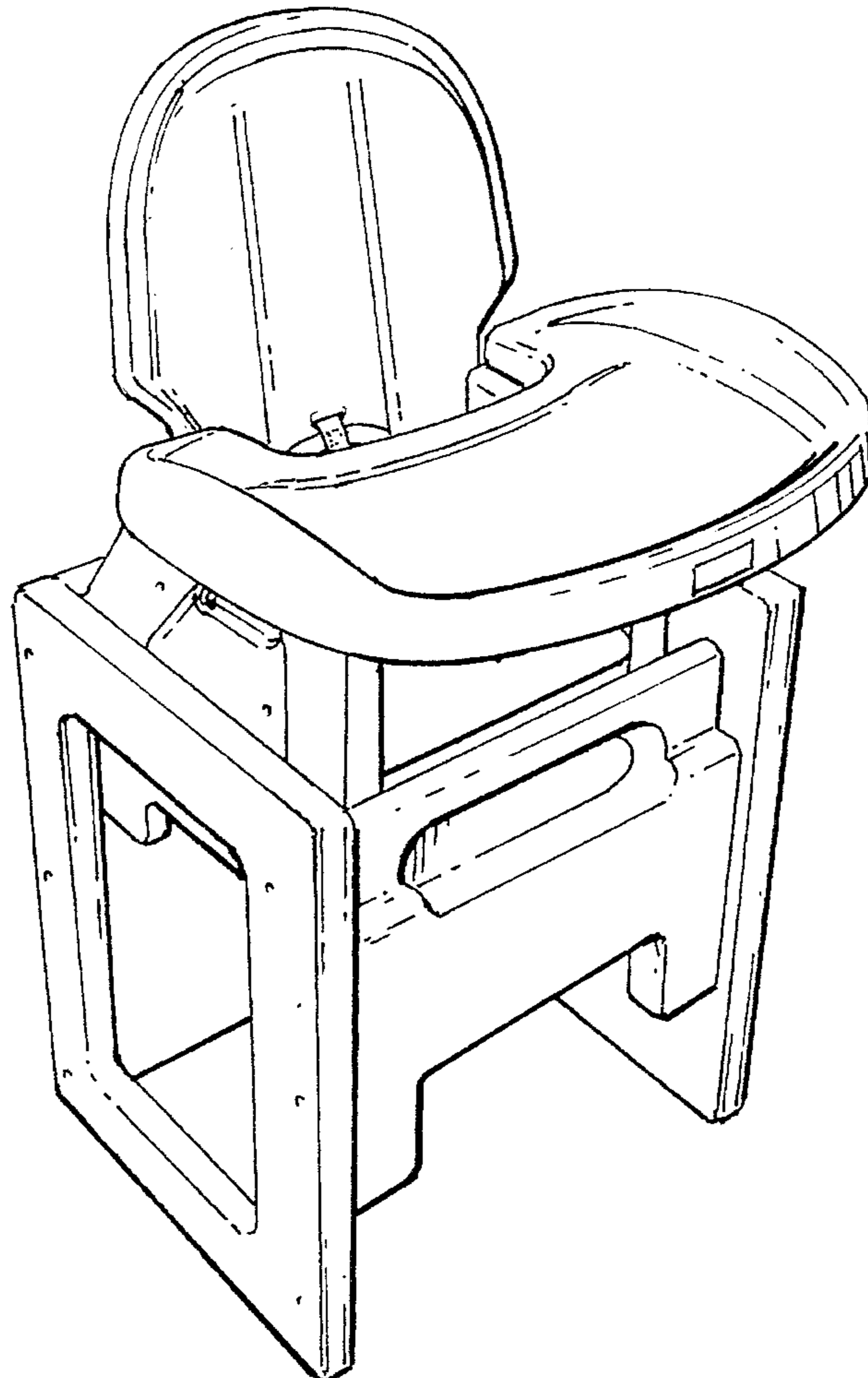
### [56] References Cited

#### U.S. PATENT DOCUMENTS

D. 248,516 7/1978 Johansson ..... D6/339 X  
D. 327,180 6/1992 Fonville ..... D6/339  
D. 347,328 5/1994 Efthimiou ..... D6/390 X  
3,918,760 11/1975 Goldberg ..... 297/253 X

The right side view is a mirror image of the left side view.

**1 Claim, 2 Drawing Sheets**



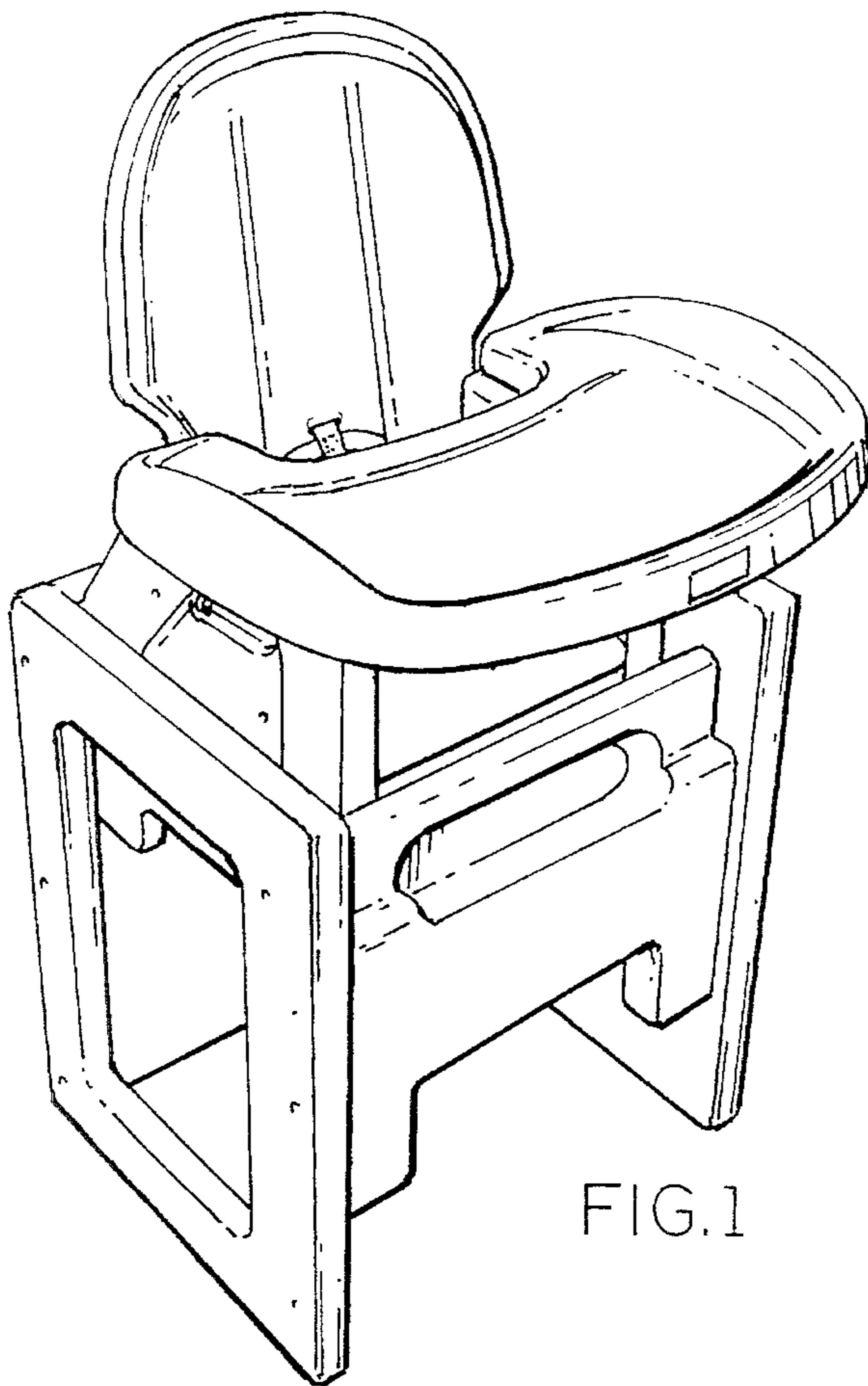


FIG. 1

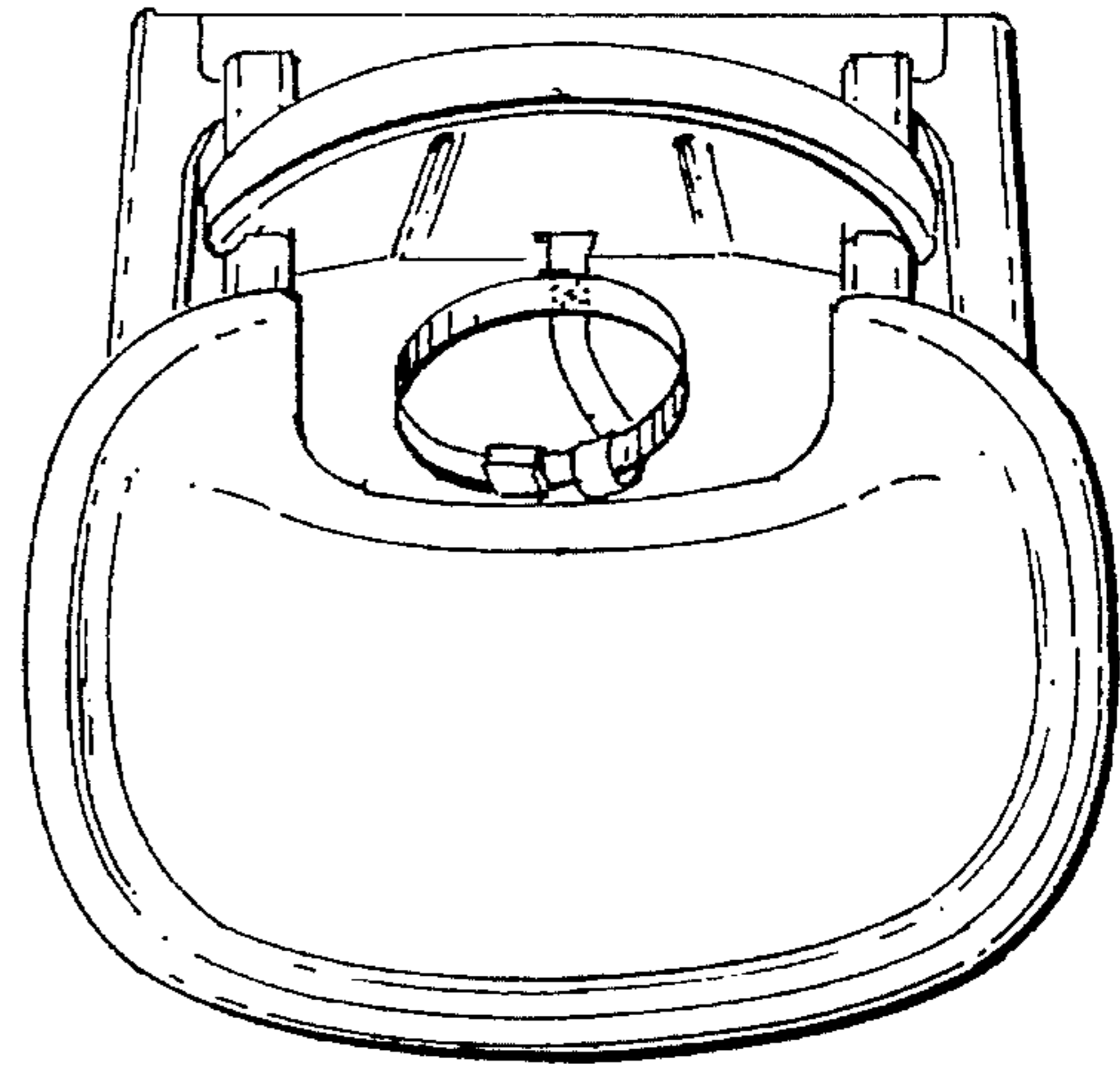


FIG. 3

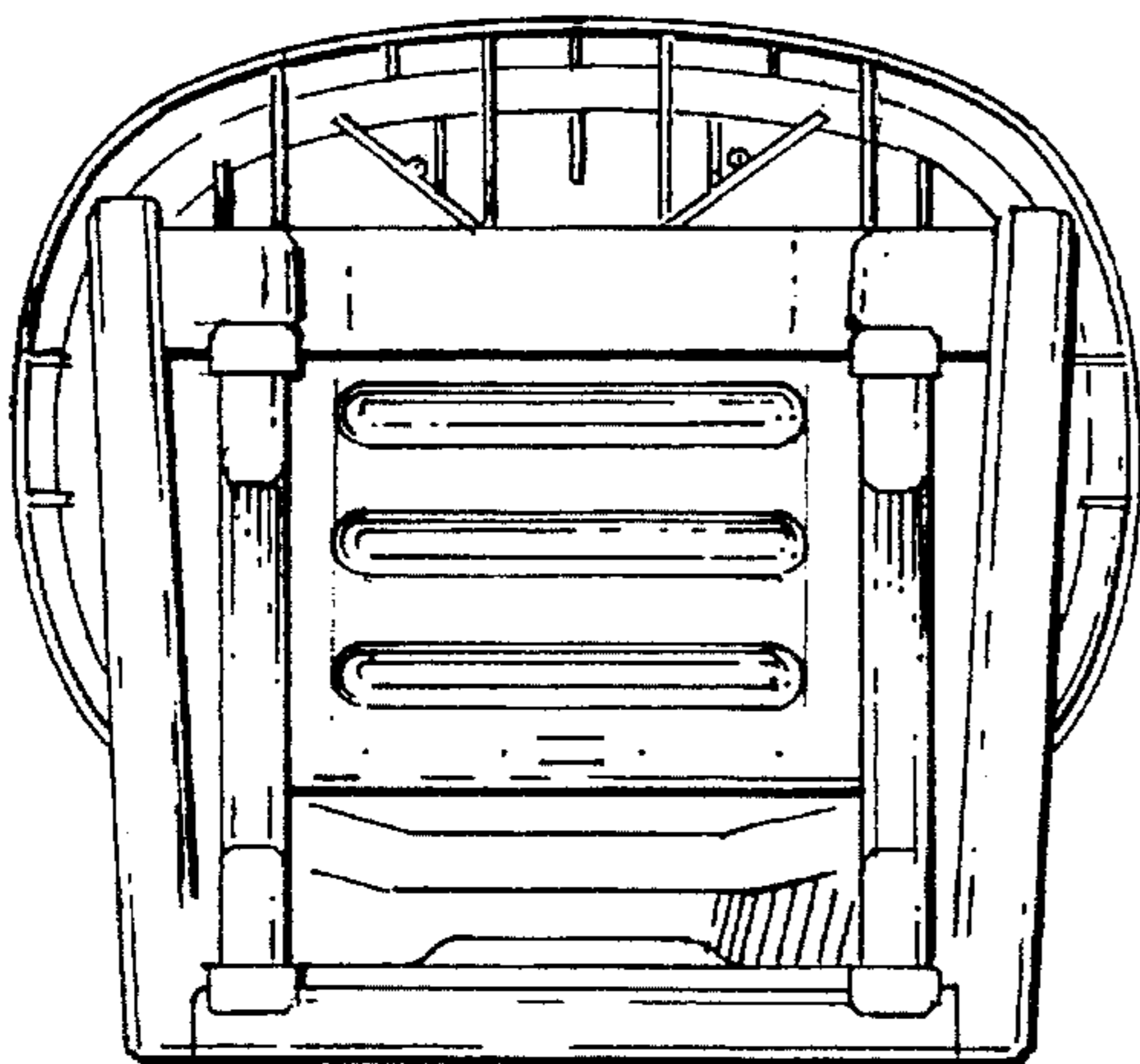


FIG. 4

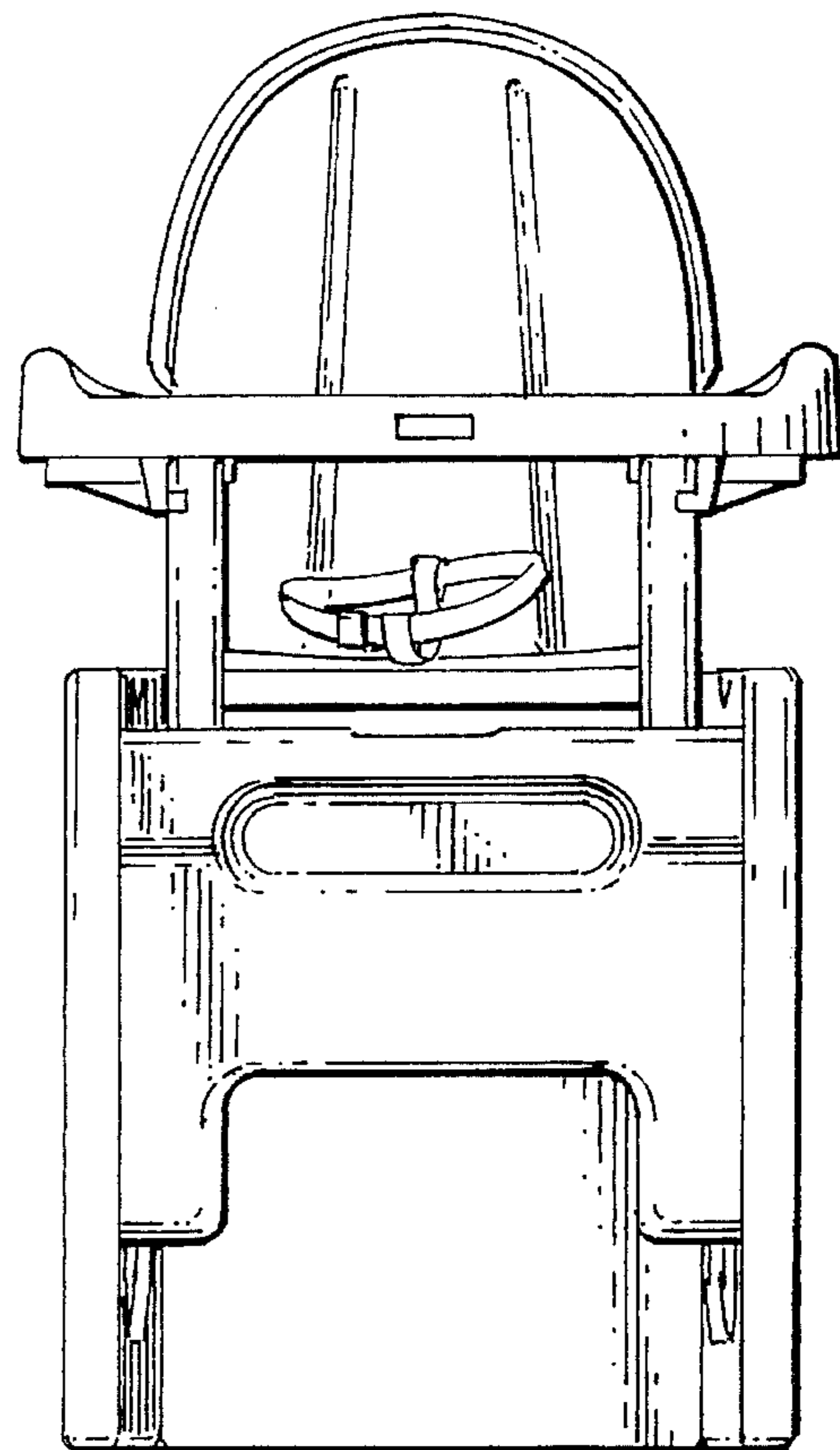


FIG. 2

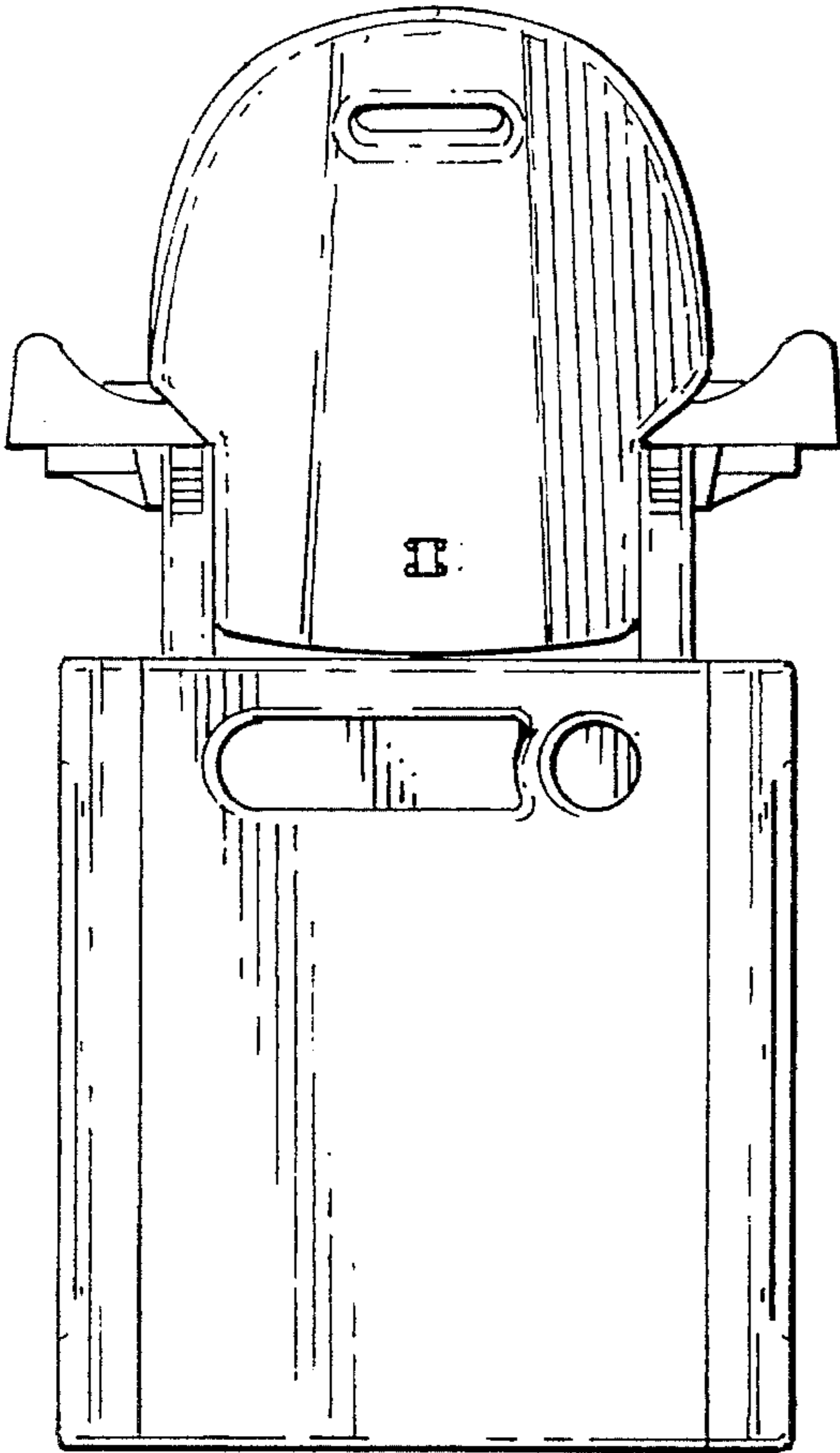


FIG. 5

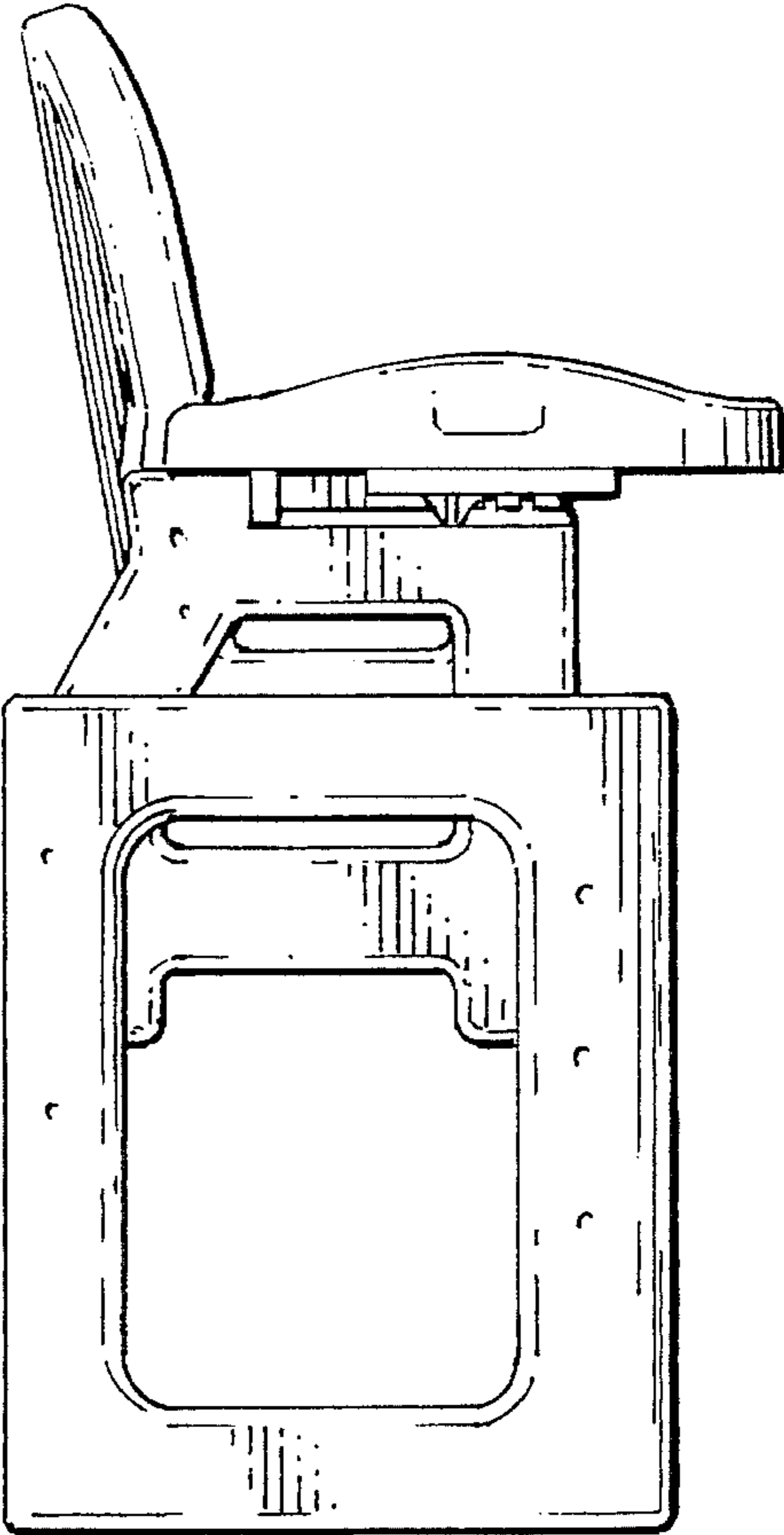


FIG. 6