



US00D366959S

**United States Patent** [19]  
**Pappalardo**

[11] **Patent Number: Des. 366,959**

[45] **Date of Patent: \*\*Feb. 13, 1996**

[54] **GOLF CLUB SEPARATOR**

[76] Inventor: **Samuel Pappalardo**, R.D. #1, Box  
232A, Magnolia Ave., Victory Lakes,  
Williamstown, N.J. 08094

[\*\*] Term: **14 Years**

[21] Appl. No.: **20,082**

[22] Filed: **Mar. 18, 1994**

[52] U.S. Cl. .... **D3/320**

[58] Field of Search ..... D3/320; D21/223,  
D21/234; 211/70.2; 206/315.2, 315.3, 315.4,  
315.5, 315.6, 315.7, 315.8; D27/102, 125,  
127, 133

[56] **References Cited**

**U.S. PATENT DOCUMENTS**

|            |         |                    |           |
|------------|---------|--------------------|-----------|
| D. 17,296  | 5/1887  | Putnam et al. .... | D27/102   |
| D. 152,656 | 2/1949  | Schwisow .....     | D27/127   |
| D. 242,263 | 11/1976 | Golden .....       | D27/102 X |
| D. 293,852 | 1/1988  | Scroggins .....    | D3/320    |

|            |         |                   |            |
|------------|---------|-------------------|------------|
| D. 343,056 | 1/1994  | Dellagrotta ..... | D3/320     |
| 4,241,774  | 12/1980 | Pell .....        | 206/315.6  |
| 4,304,278  | 12/1981 | Ruhlandt .....    | 211/70.2   |
| 4,960,212  | 10/1990 | Wu .....          | 211/70.2 X |

*Primary Examiner*—Louis S. Zarfaz  
*Assistant Examiner*—Catherine R. Oliver

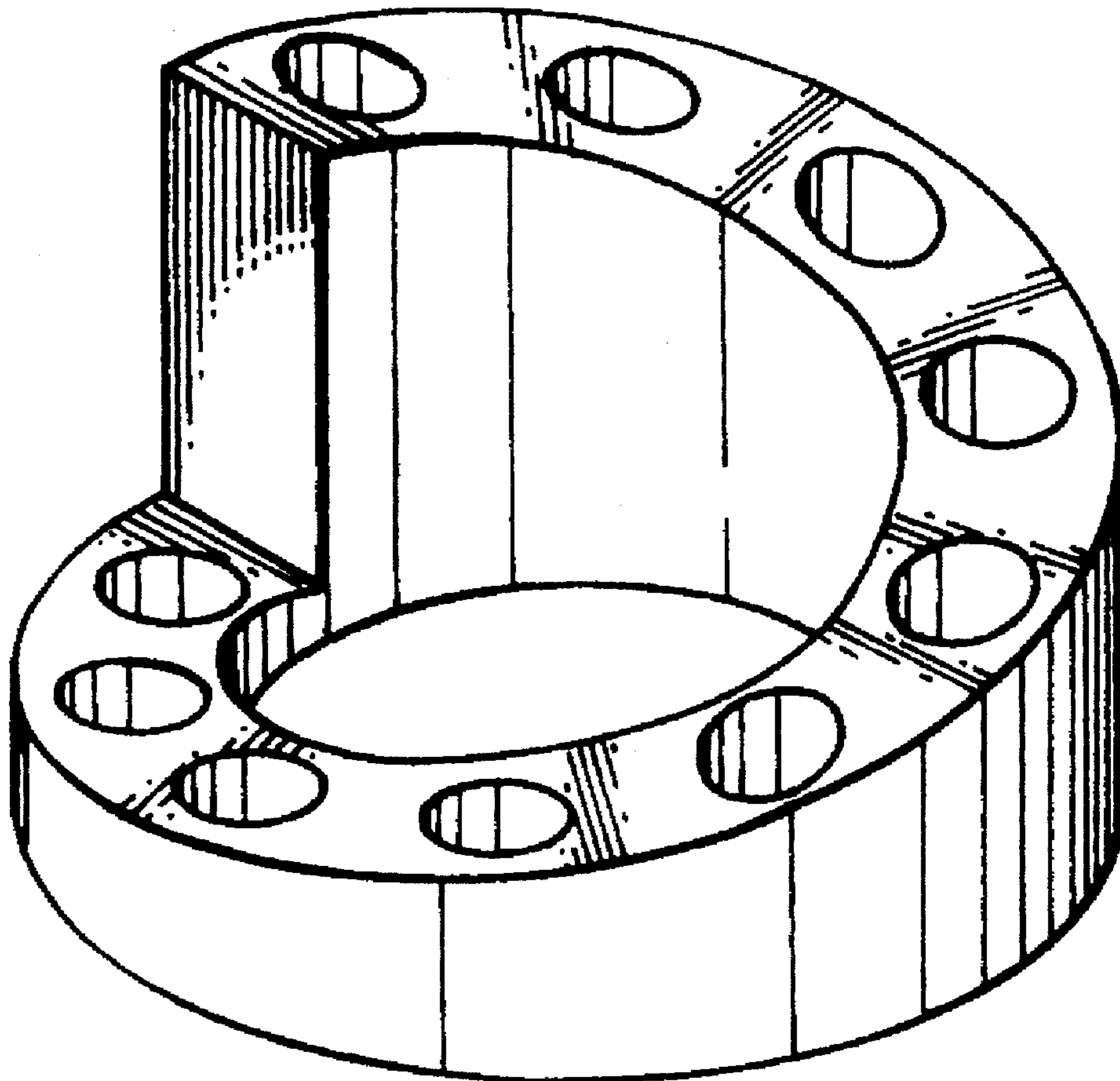
[57] **CLAIM**

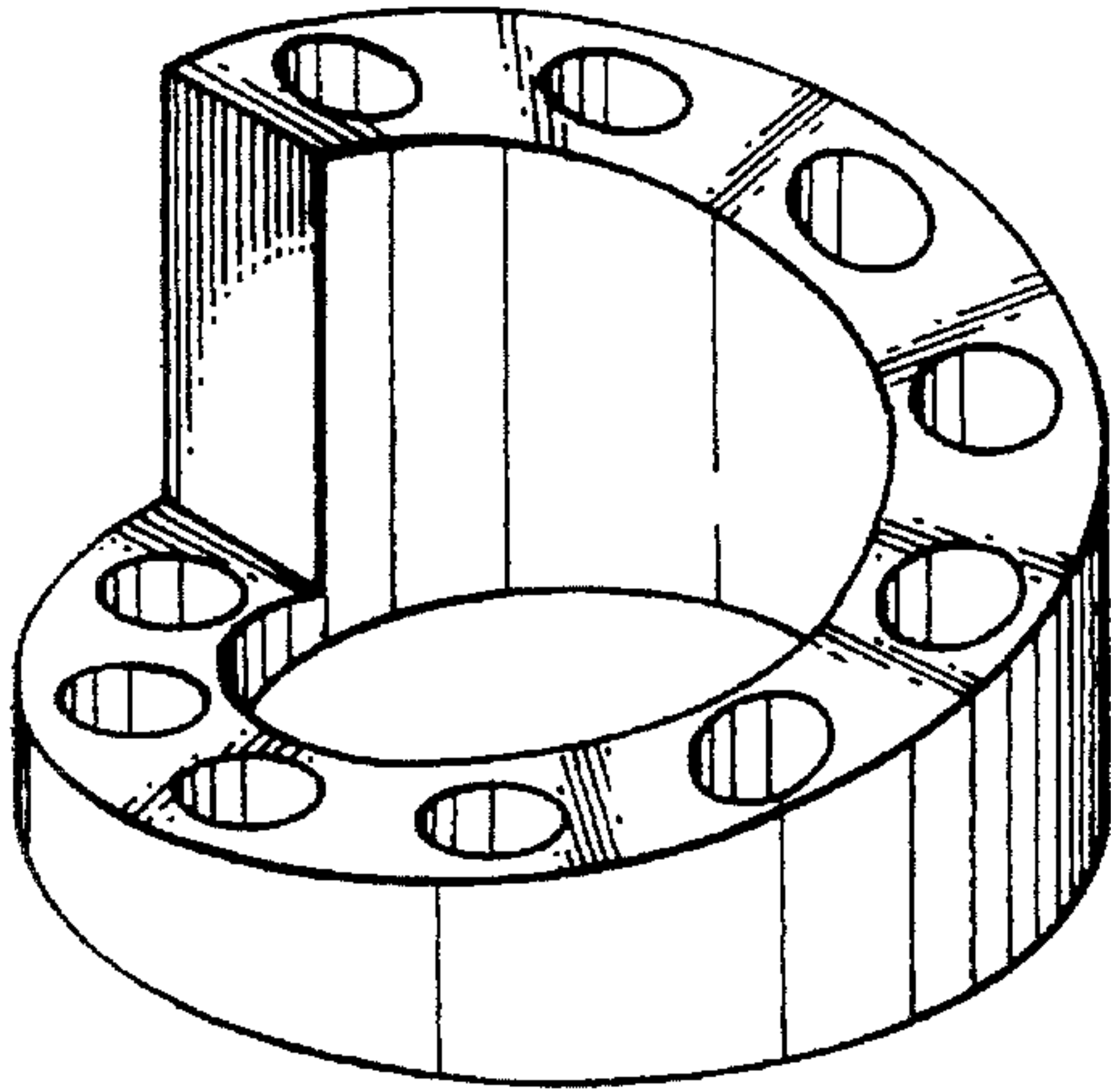
The ornamental design for a golf club separator, as shown and described.

**DESCRIPTION**

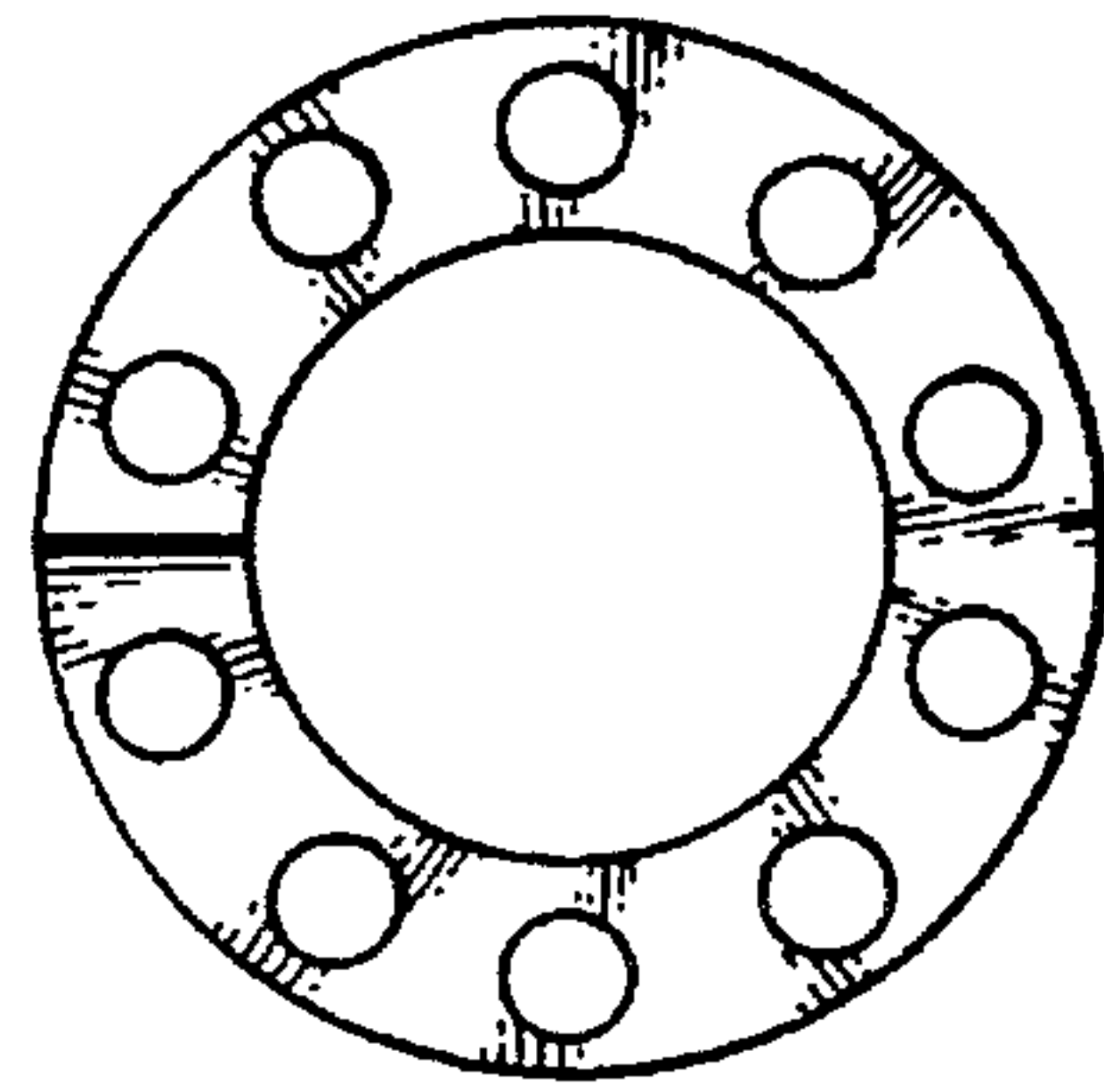
FIG. 1 is an isometric view of the golf club separator showing my new design;  
FIG. 2 is a top plan view thereof;  
FIG. 3 is a side elevational view thereof;  
FIG. 4 is a front elevational view thereof;  
FIG. 5 is a bottom plan view thereof;  
FIG. 6 is a rear elevational view; and,  
FIG. 7 is a side elevational view, opposite of FIG. 3.

**1 Claim, 1 Drawing Sheet**

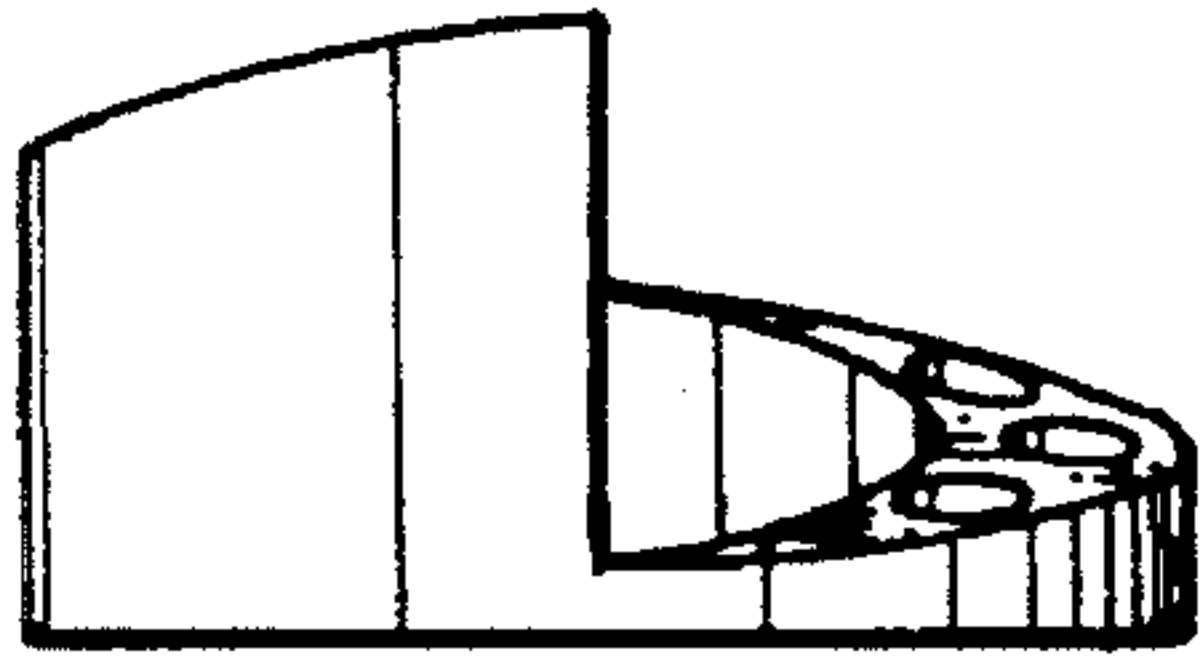




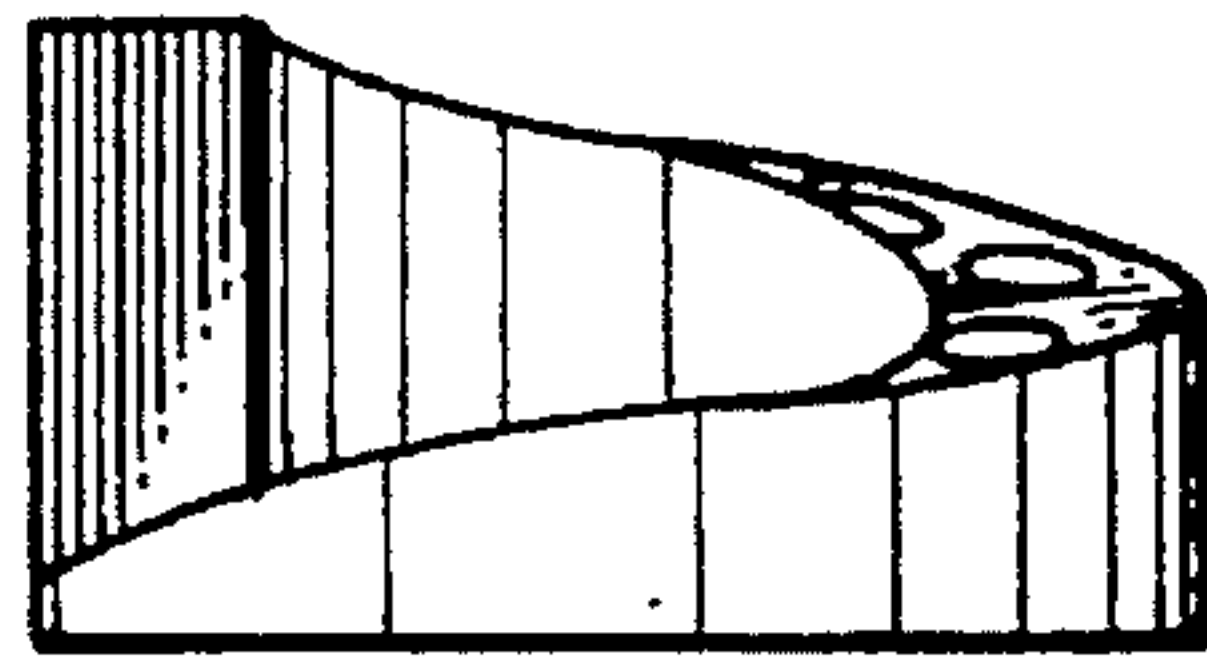
**FIG. 1**



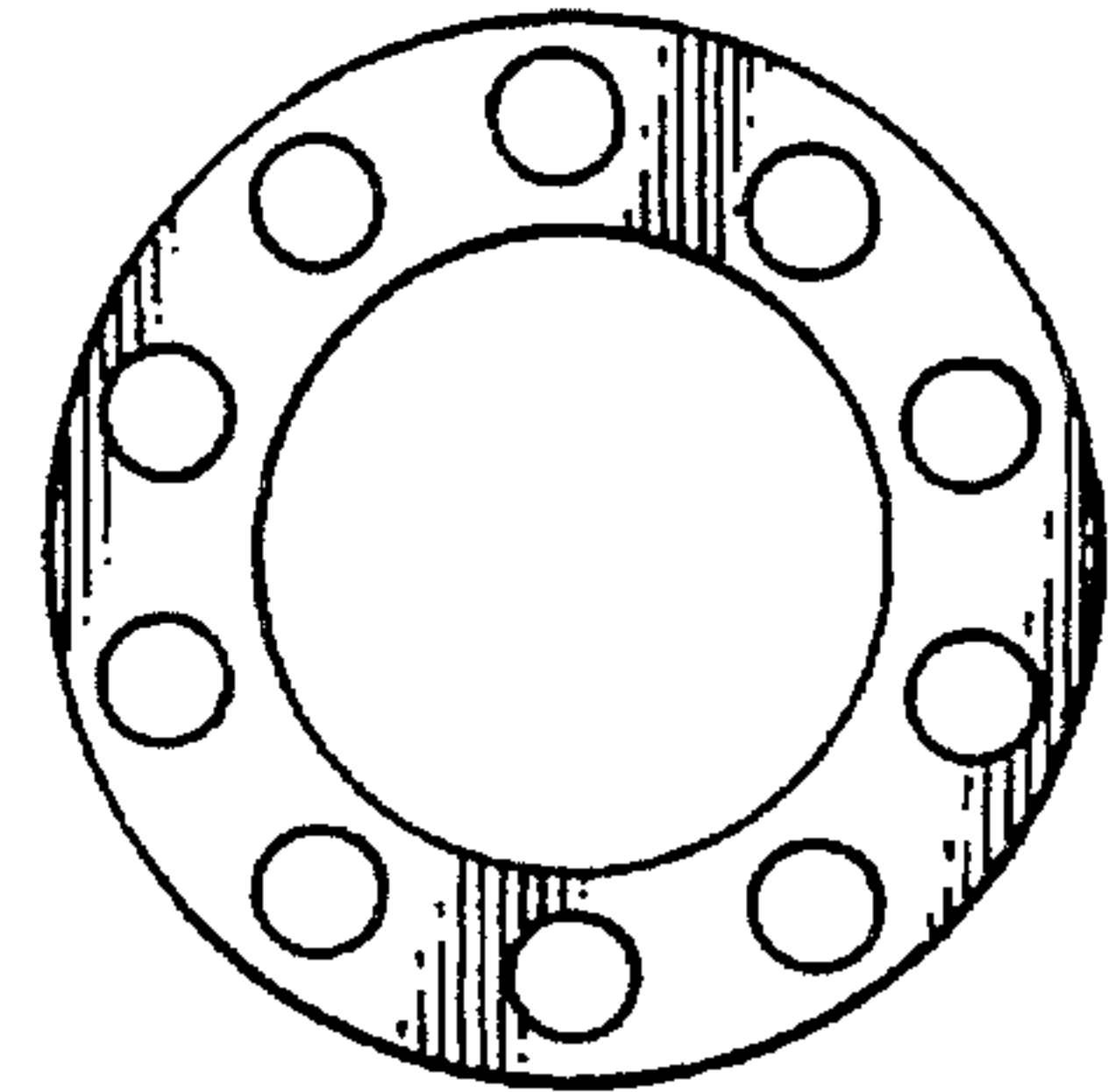
**FIG. 2**



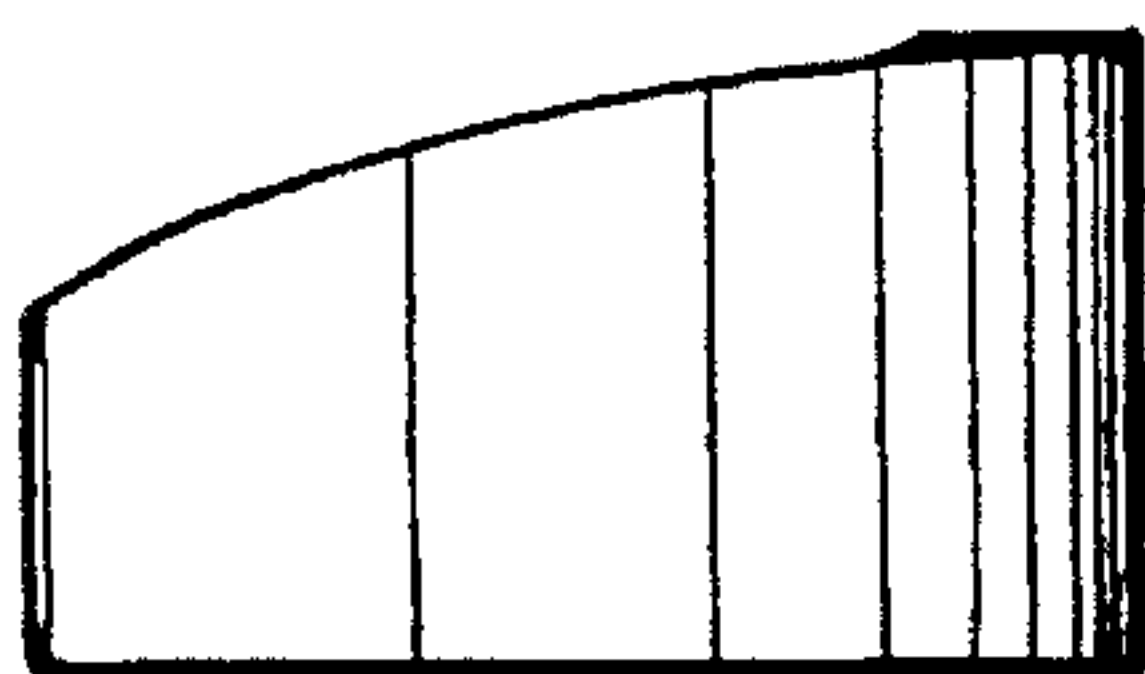
**FIG. 3**



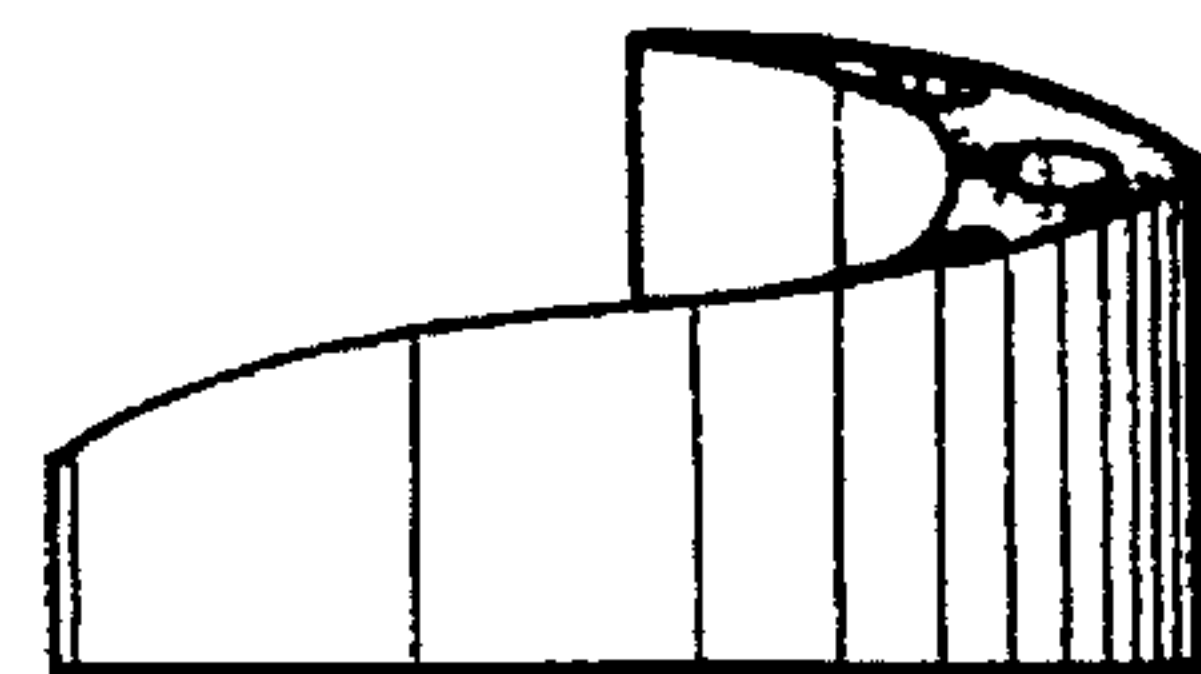
**FIG. 4**



**FIG. 5**



**FIG. 6**



**FIG. 7**