



US00D366954S

# United States Patent [19]

Solo

[11] Patent Number: **Des. 366,954**

[45] Date of Patent: **\*\*Feb. 13, 1996**

[54] **ARTICLE CARRIER ATTACHABLE TO FOOTWEAR**

[76] Inventor: **Alan J. Solo**, 1835 Burnett St., Brooklyn, N.Y. 11229

[\*\*] Term: **14 Years**

[21] Appl. No.: **30,695**

[22] Filed: **Nov. 4, 1994**

[52] U.S. Cl. .... **D2/946**

[58] Field of Search ..... D2/905, 946, 976; 36/132, 136

[56] **References Cited**

**U.S. PATENT DOCUMENTS**

D. 336,971	7/1993	Flisek	.....	D2/905
D. 359,839	7/1995	Silva	.....	D2/946
2,830,585	4/1958	Weiss	.....	36/7.1 R X
3,114,982	12/1963	McGowan	.....	D2/905 X
4,507,882	4/1985	Harrell	.....	36/136
5,094,016	3/1992	Di Vito	.....	36/136
5,311,679	5/1994	Birch	.....	36/136

*Primary Examiner*—Nelson C. Holtje  
*Attorney, Agent, or Firm*—Goodman & Teitelbaum

[57] **CLAIM**

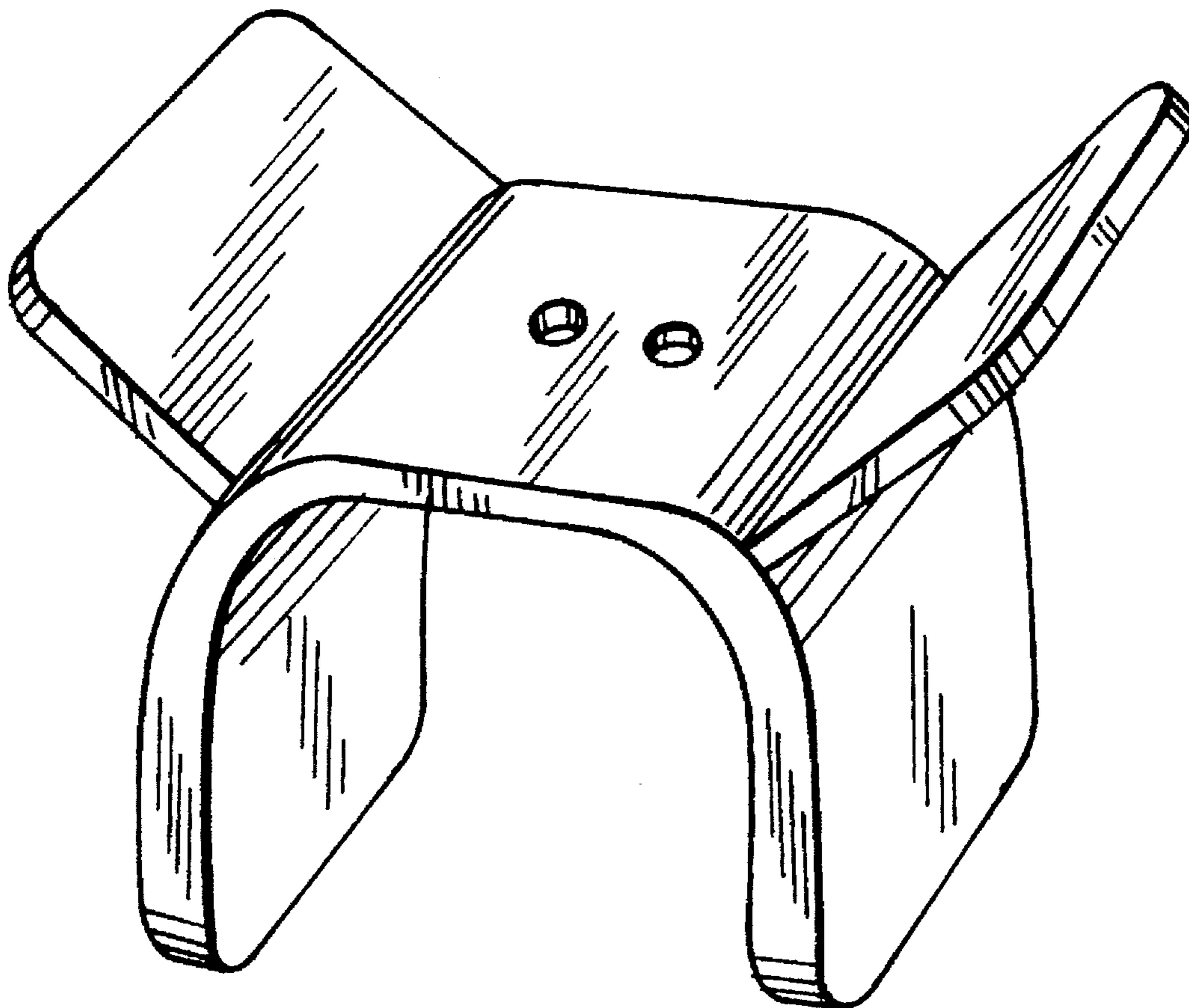
The ornamental design for an article carrier attachable to footwear, as shown and described.

**DESCRIPTION**

FIG. 1 is a perspective view of an article carrier attachable to footwear, showing my new design;  
FIG. 2 is a top plan view thereof;  
FIG. 3 is a left side elevational view thereof;  
FIG. 4 is a front elevational view thereof;  
FIG. 5 is a right side elevational view thereof;  
FIG. 6 is a bottom plan view thereof;  
FIG. 7 is a rear elevational view thereof; and,  
FIG. 8 is a perspective view showing the packets thereof in an open position.

The broken-line showings of footwear and lace in FIG. 1 are environmental only and form no part of the claimed design.

**1 Claim, 2 Drawing Sheets**



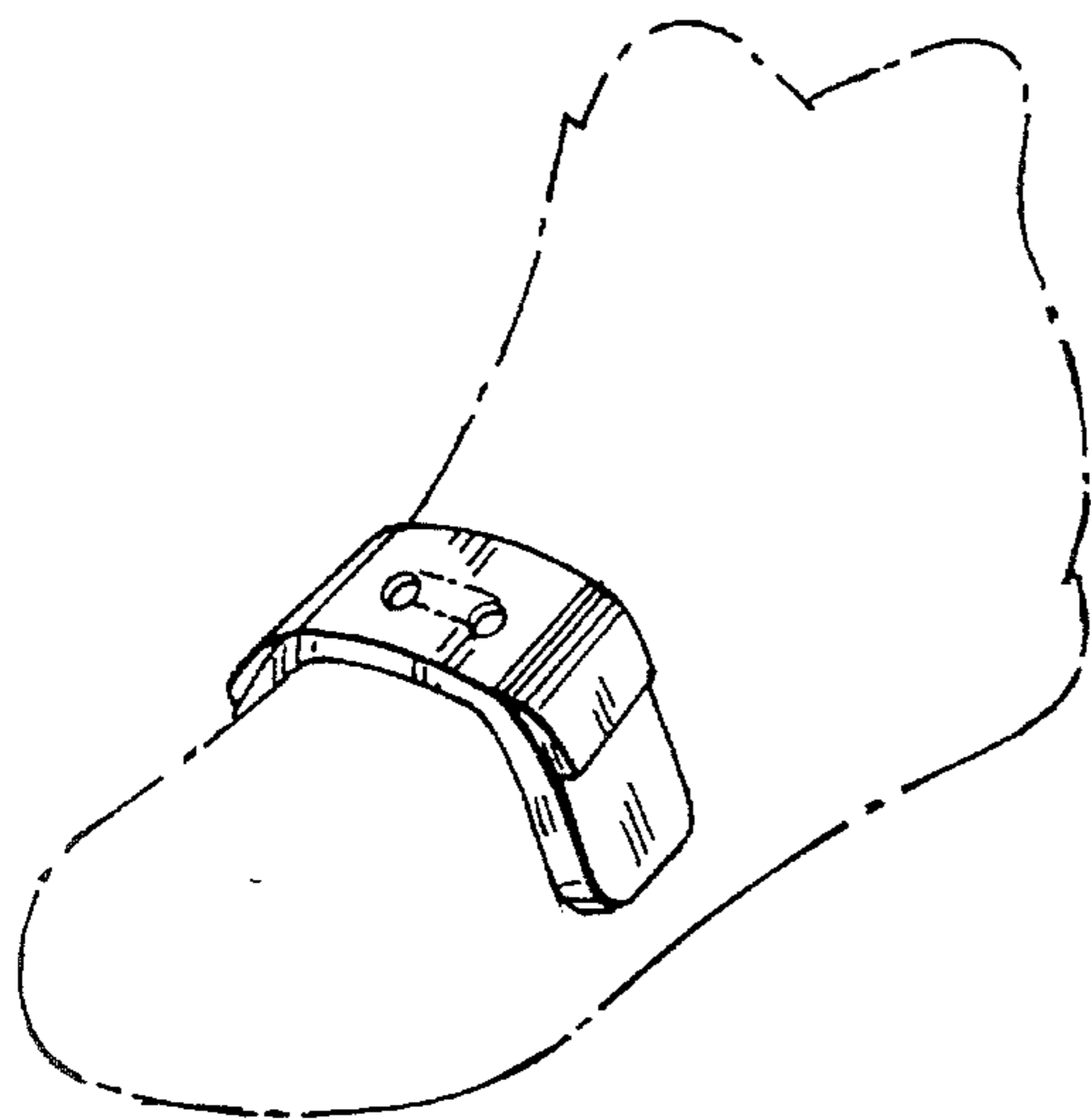


FIG. 1

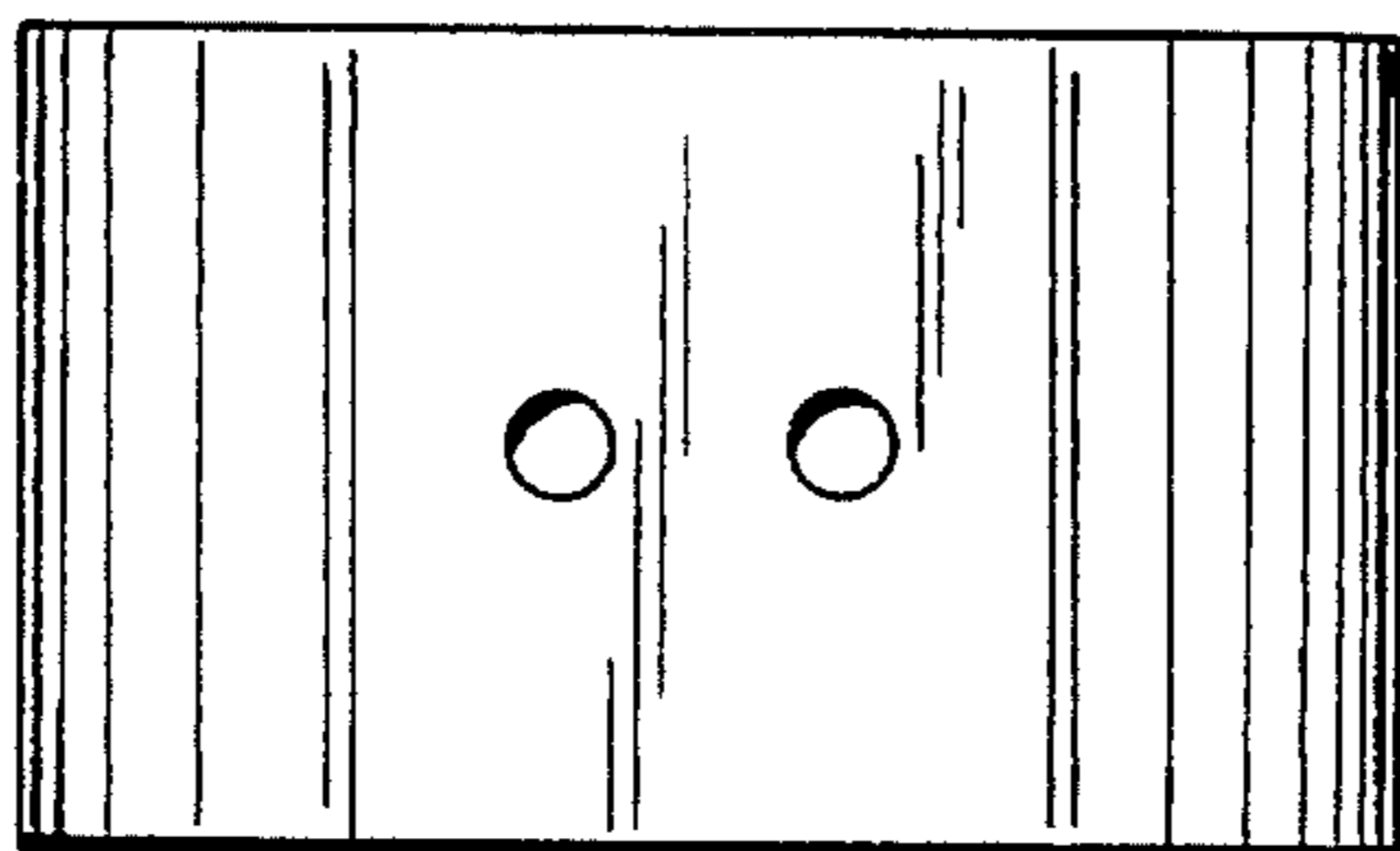


FIG. 2

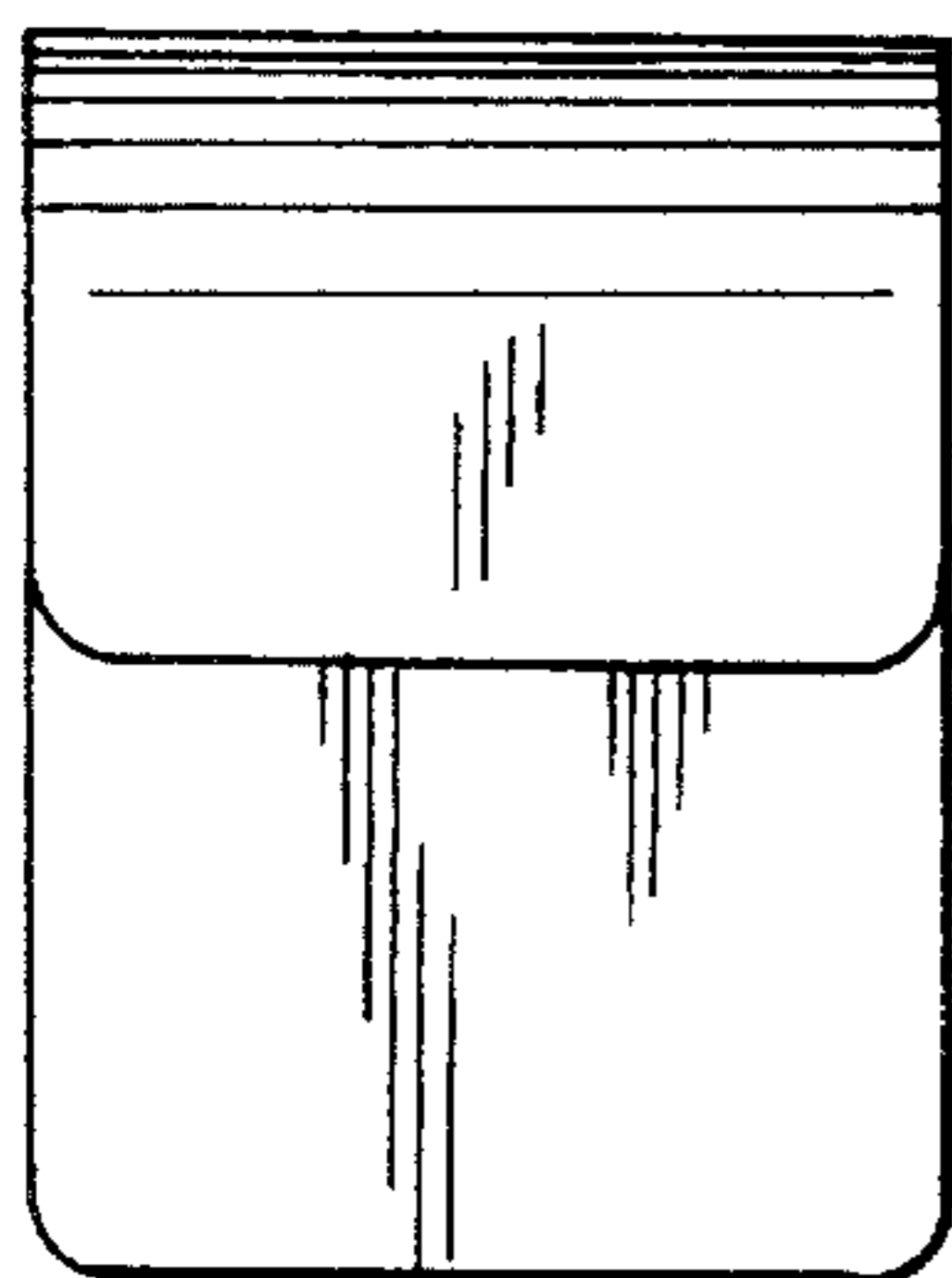


FIG 3

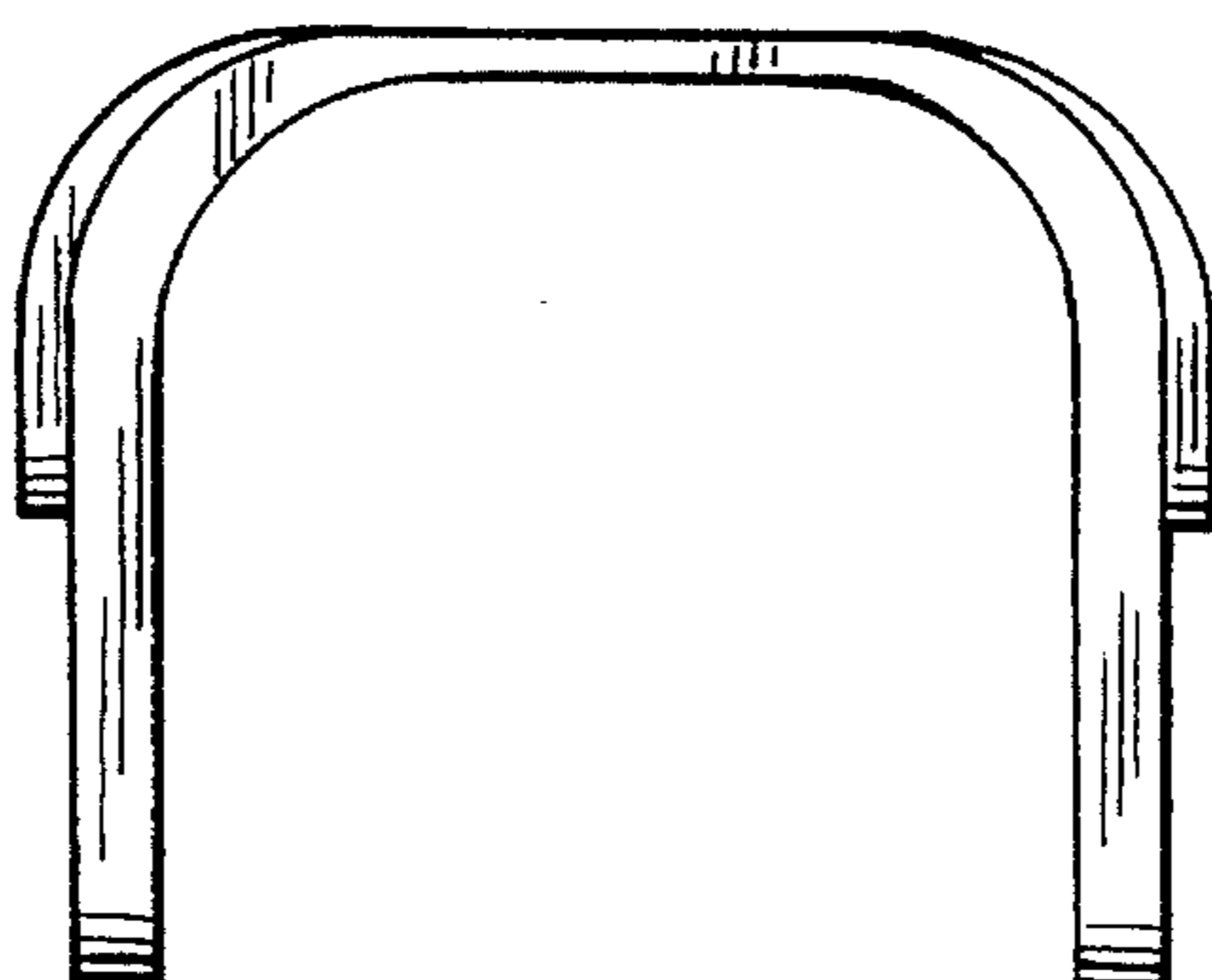


FIG. 4

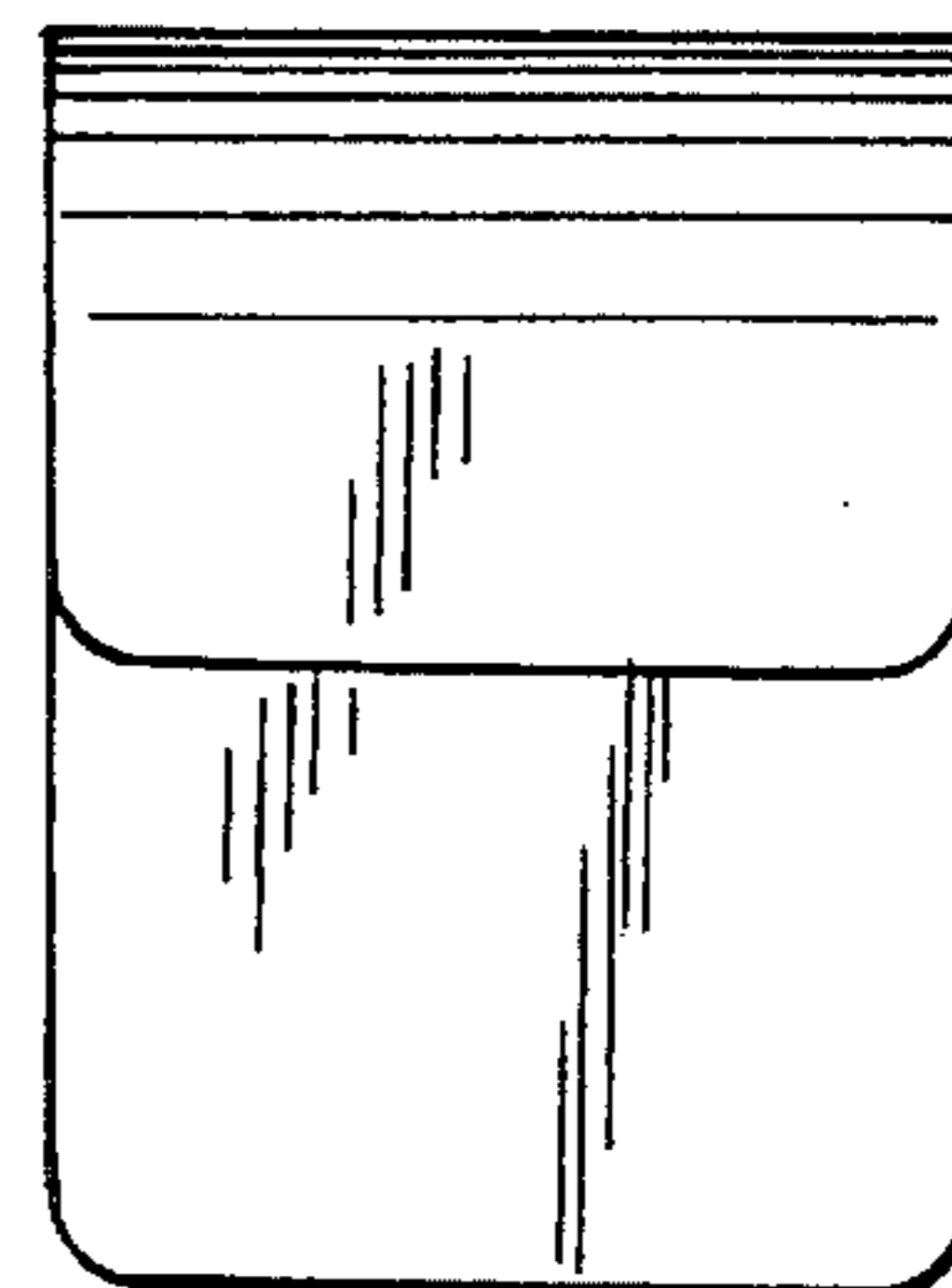


FIG. 5

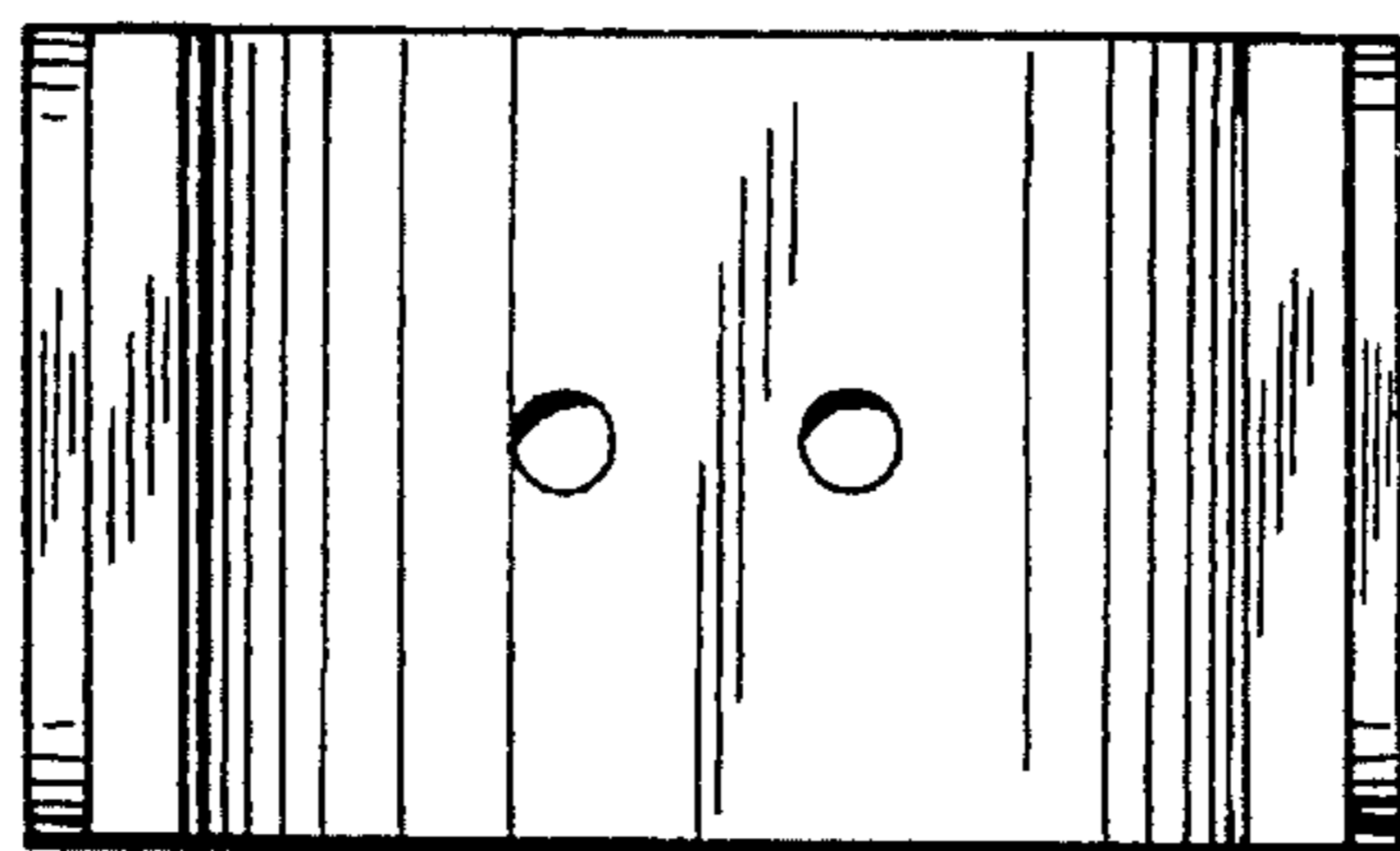


FIG. 6

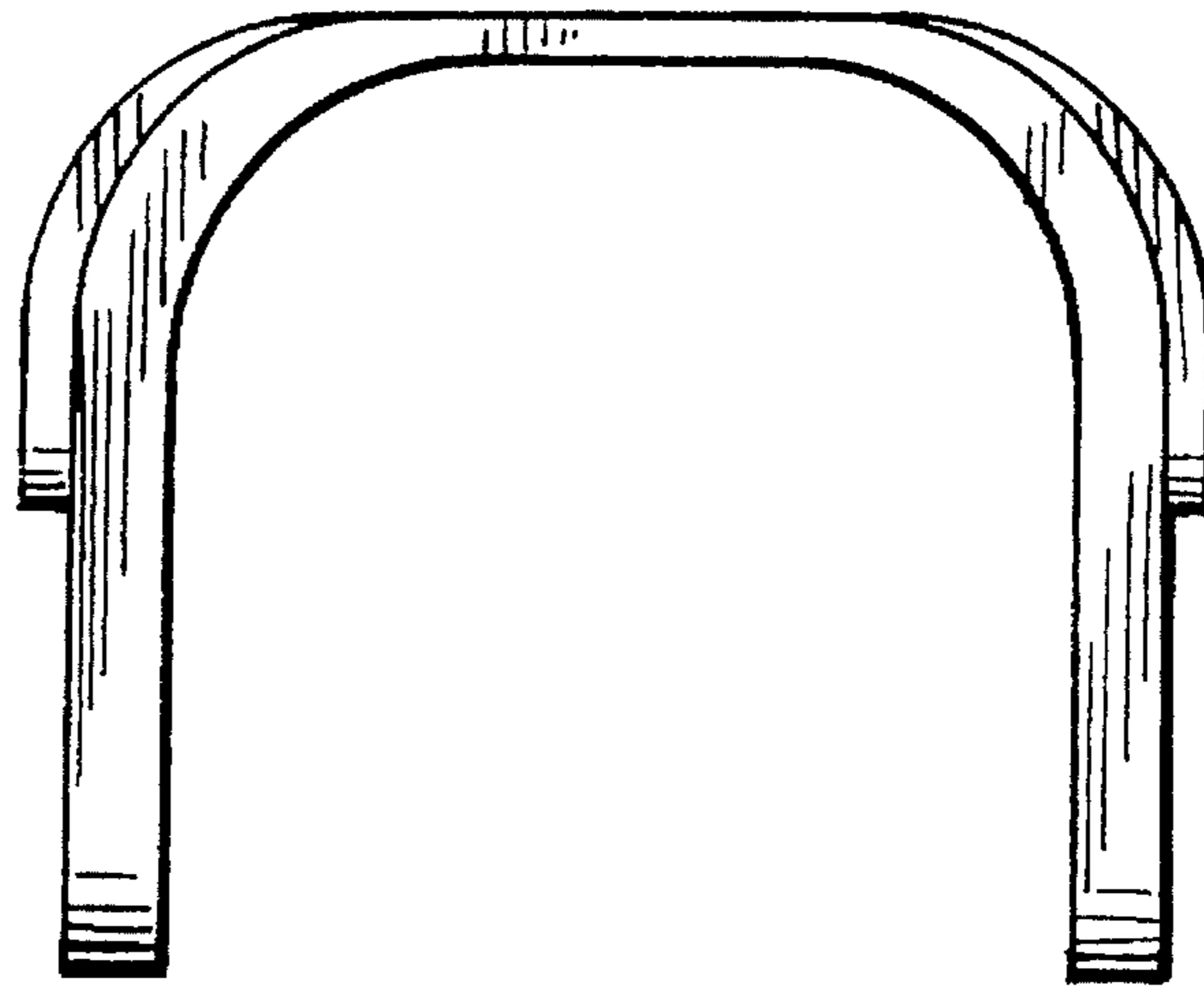


FIG. 7

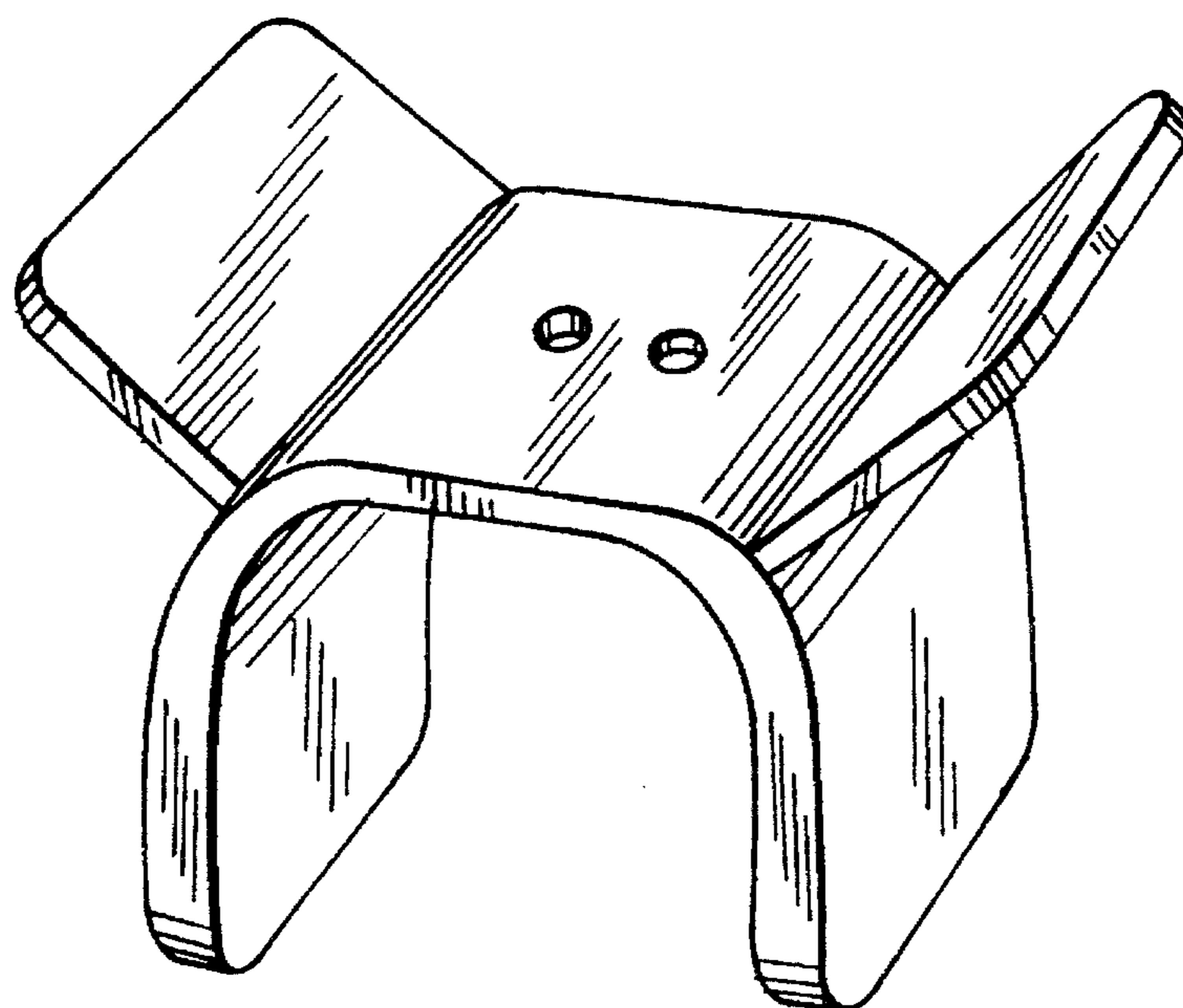


FIG. 8