



US00D366950S

United States Patent [19]
McKinnie

[11] **Patent Number: Des. 366,950**
[45] **Date of Patent: **Feb. 6, 1996**

[54] **SMOKING CASE FOR CIGARETTES AND CIGARS**

390732 4/1933 United Kingdom .

[76] Inventor: **Jay M. McKinnie**, 2917 W. Scenic Dr., Peoria, Ill. 61615

Primary Examiner—A. Hugo Word
Assistant Examiner—Marcus Jackson
Attorney, Agent, or Firm—Sixbey, Friedman, Leedom & Ferguson

[**] Term: **14 Years**

[21] Appl. No.: **35,454**

[57] **CLAIM**

[22] Filed: **Feb. 27, 1995**

The ornamental design for a combined cigar and cigarette case, as shown and described.

[52] **U.S. Cl.** **D27/186**

[58] **Field of Search** D27/186, 187, D27/188, 189, 192, 193, 194, 195; D3/230, 299; 431/125, 129-152; 206/89, 232, 245, 248, 249, 250, 259, 260, 272

DESCRIPTION

[56] **References Cited**

U.S. PATENT DOCUMENTS

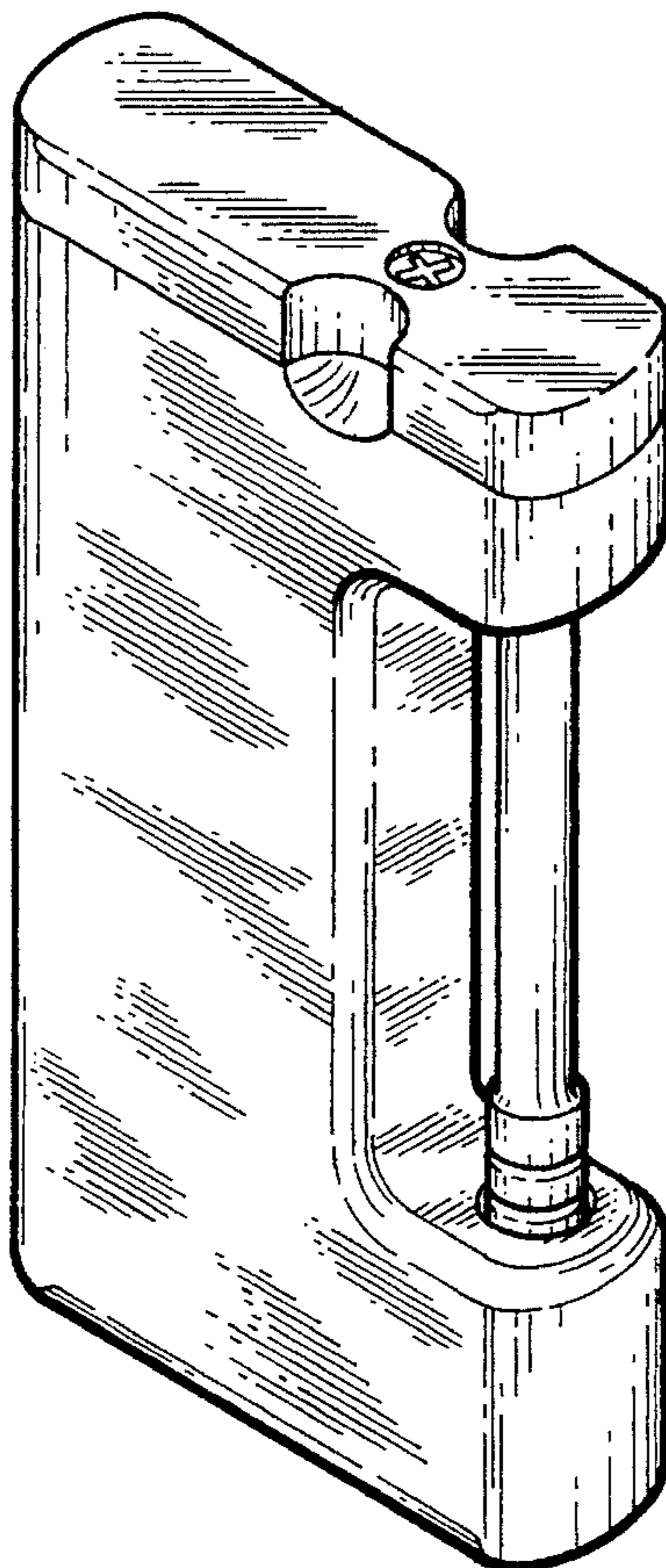
| | | | | |
|------------|---------|------------------|-------|---------|
| D. 145,191 | 7/1946 | Warner | | D27/187 |
| D. 298,574 | 11/1986 | Long et al. | | D27/187 |
| D. 356,232 | 3/1995 | Armstrong et al. | | D27/186 |
| D. 360,484 | 7/1995 | Estabaya | | D27/186 |
| 393,445 | 11/1888 | Needham . | | |
| 498,695 | 5/1893 | Powell . | | |
| 1,479,590 | 1/1924 | Emerick | | D27/186 |
| 4,214,658 | 7/1980 | Crow . | | |
| 4,465,184 | 8/1984 | Bruce | | D27/186 |

FIG. 1 is a left side front perspective view of the smoking case for cigarettes and cigars showing my new design;
FIG. 2 is a left side front exploded perspective view of the smoking case for cigarettes and cigars of FIG. 1;
FIG. 3 is a left side elevational view of the smoking case for cigarettes and cigars of FIG. 1;
FIG. 4 is a front elevational view of the smoking case for cigarettes and cigars of FIG. 1;
FIG. 5 is a rear elevational view of the smoking case for cigarettes and cigars of FIG. 1;
FIG. 6 is a top plan view of the smoking case for cigarettes and cigars of FIG. 1; and,
FIG. 7 is a bottom plan view of the smoking case with locking twist cap of FIG. 1.

FOREIGN PATENT DOCUMENTS

340656 10/1959 Switzerland .

1 Claim, 2 Drawing Sheets



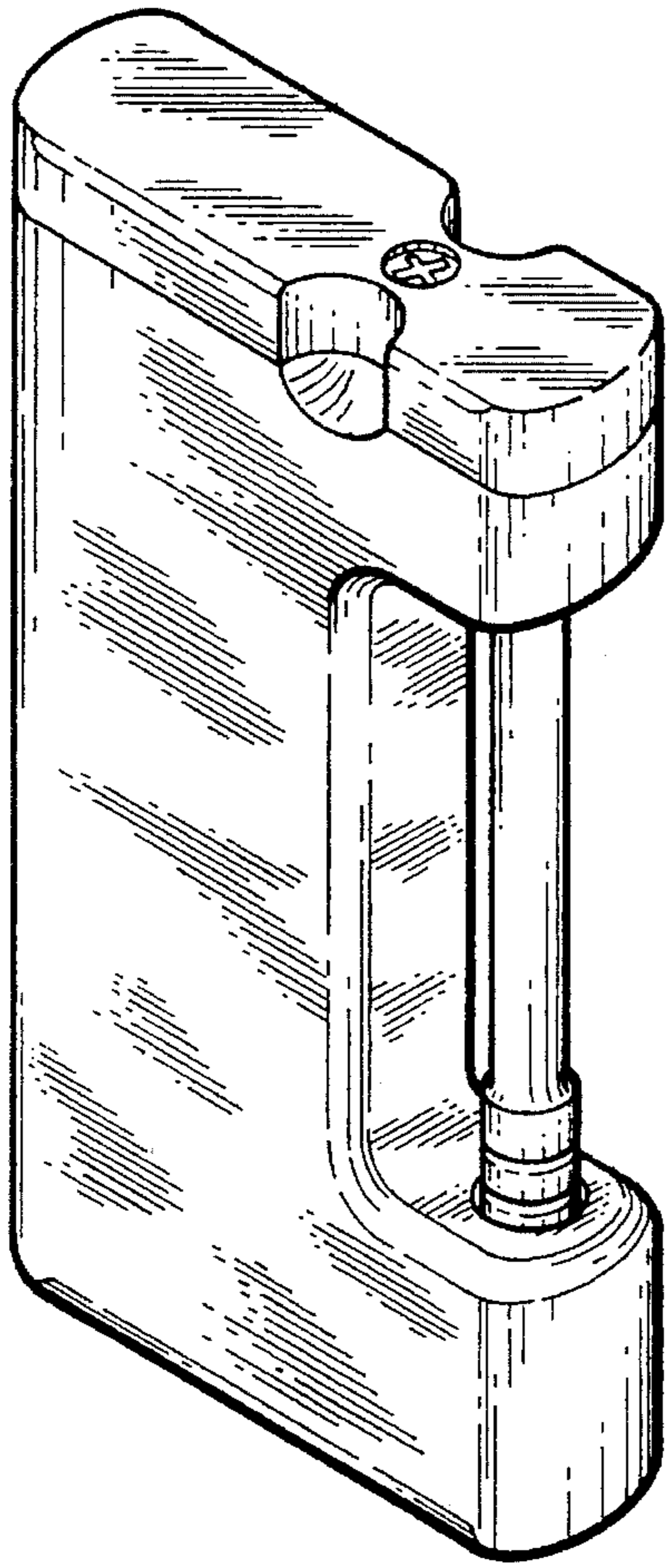


FIG. 1

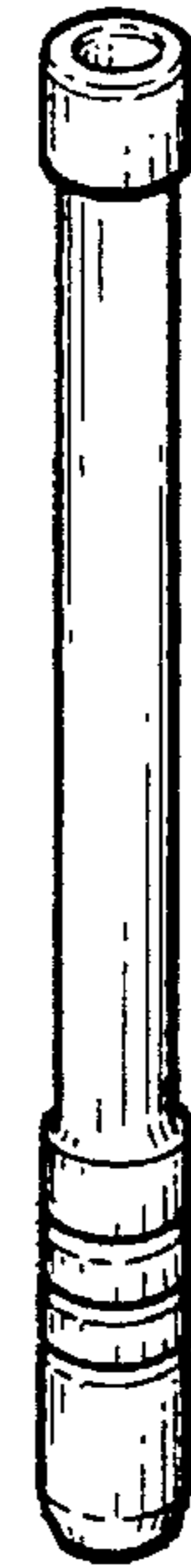
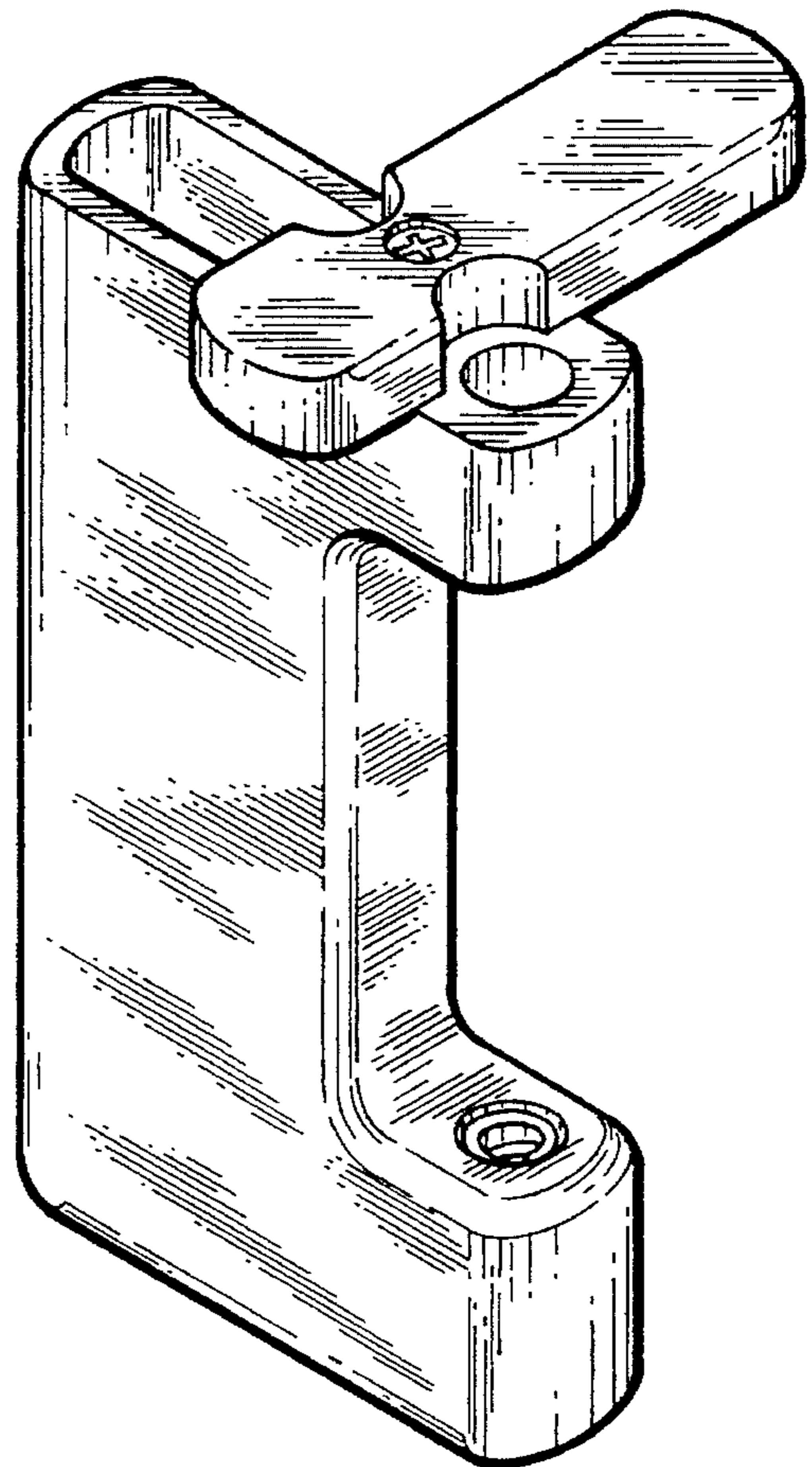


FIG. 2



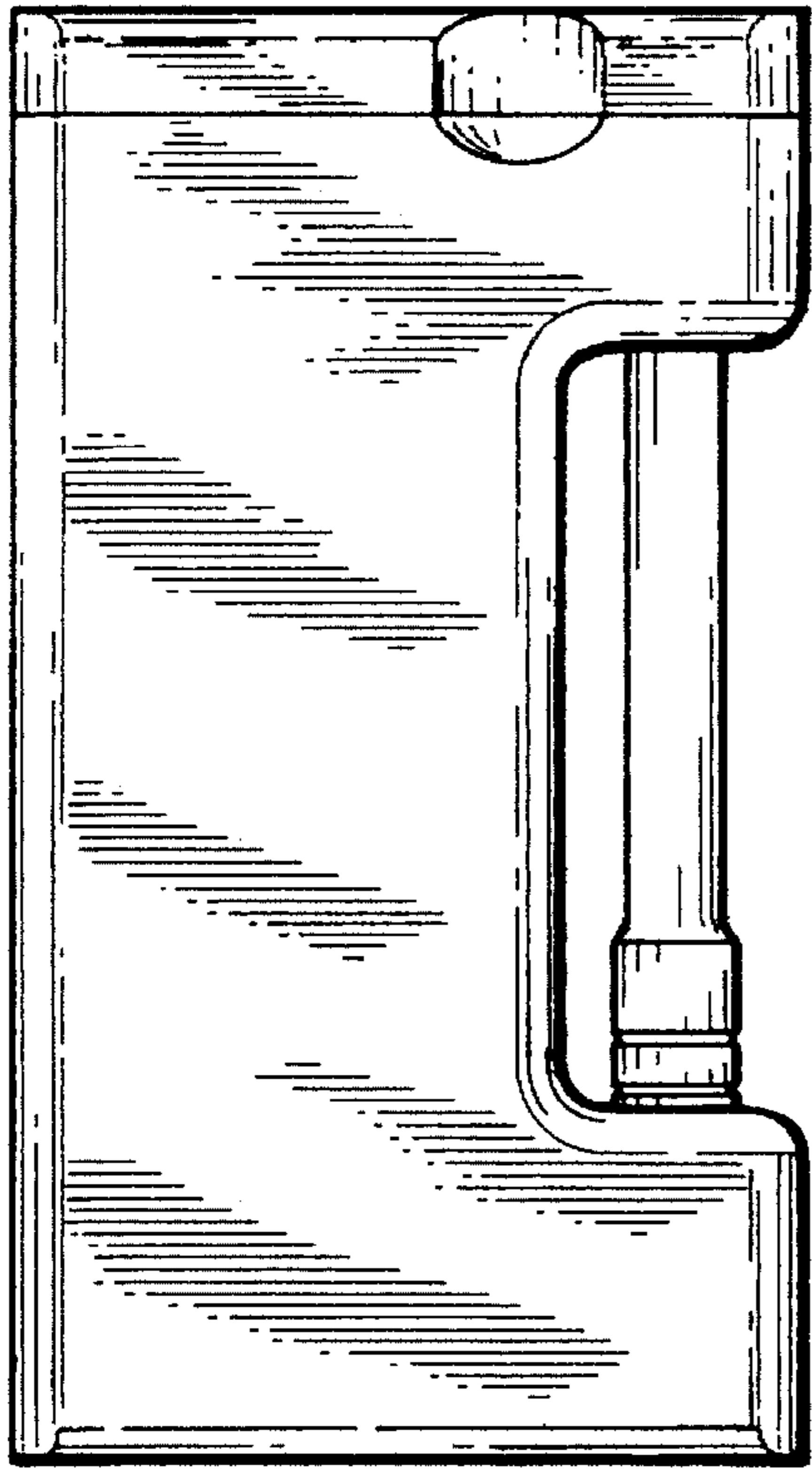


FIG. 3

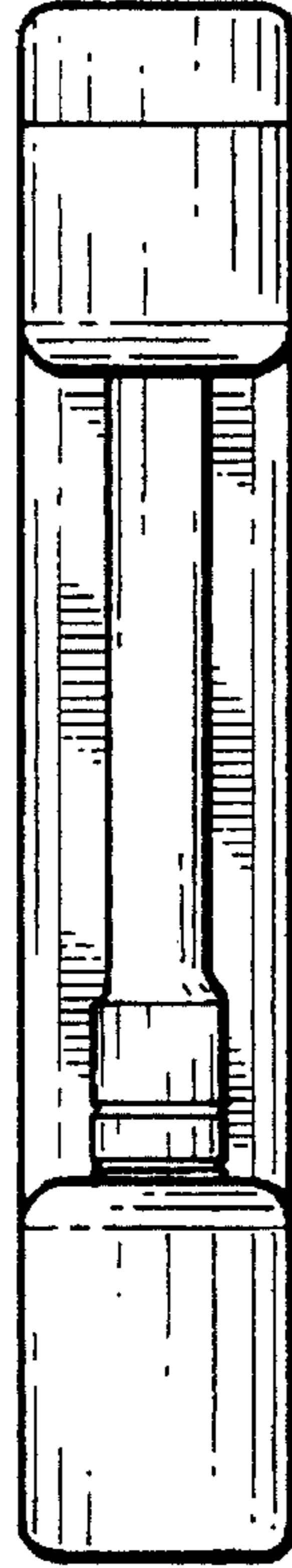


FIG. 4

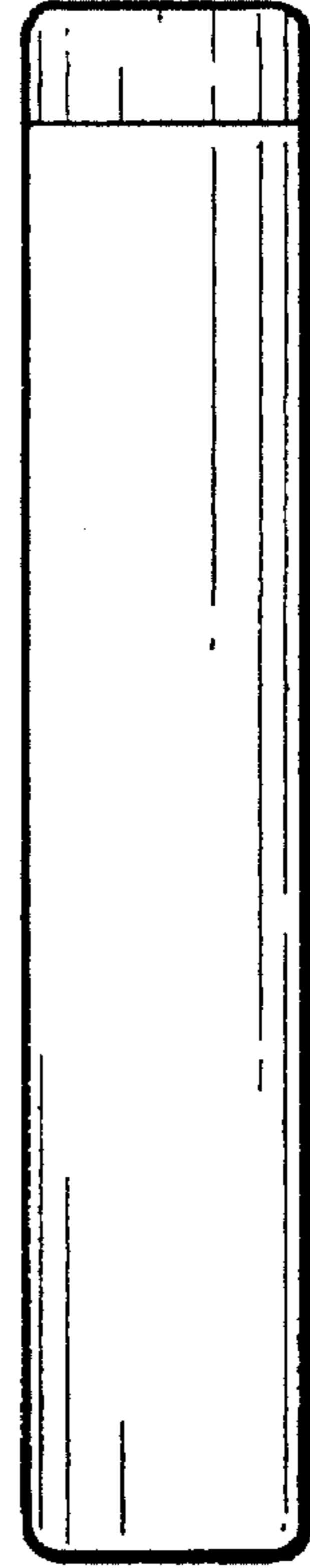


FIG. 5

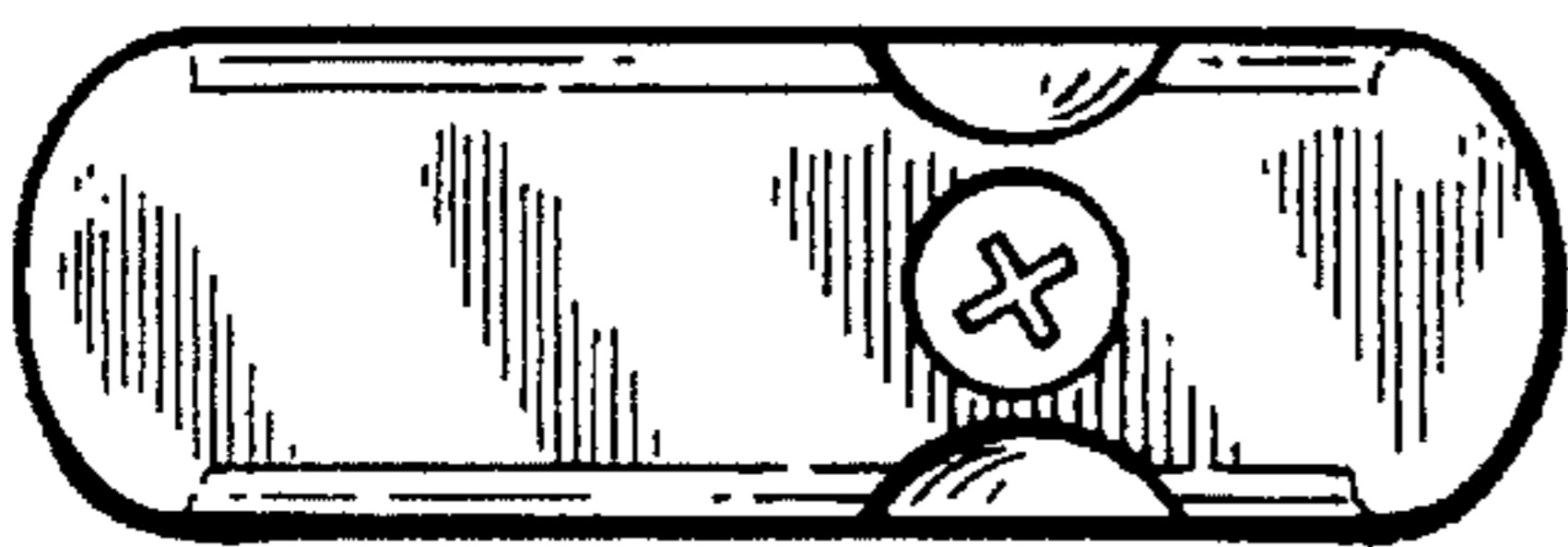


FIG. 6

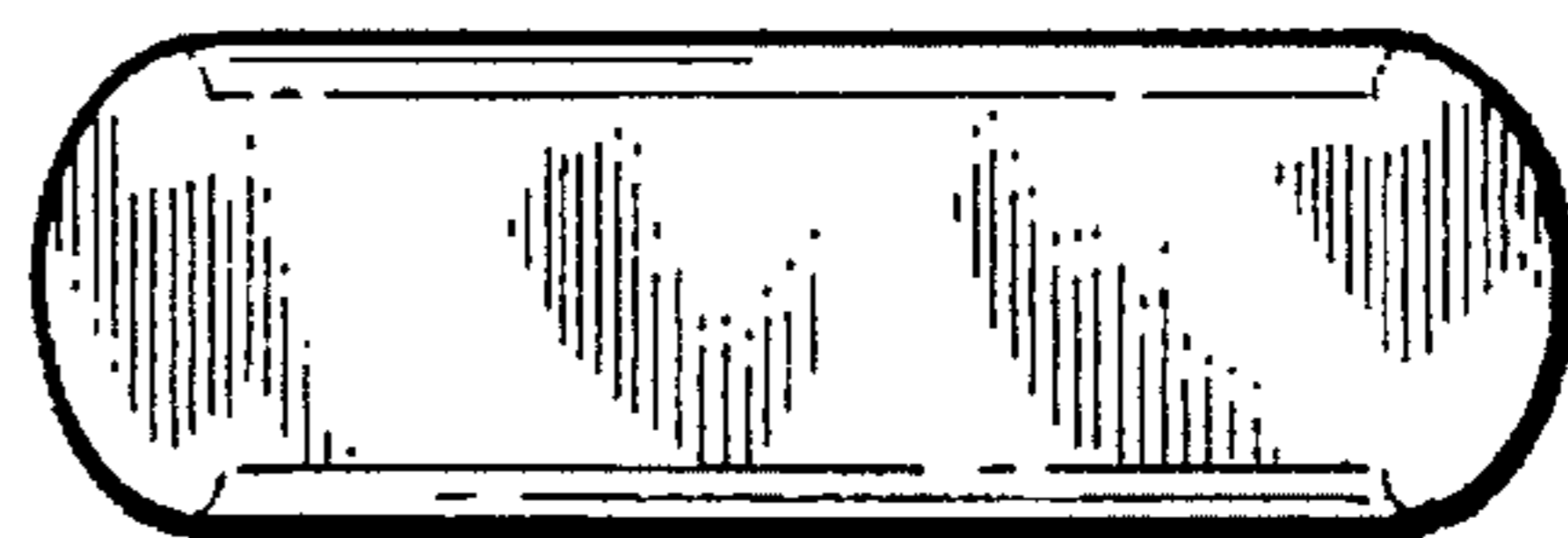


FIG. 7