



US00D366947S

# United States Patent [19]

Brown

[11] Patent Number: Des. 366,947

[45] Date of Patent: \*\*Feb. 6, 1996

## [54] ROUND PORTABLE SAFETY LIGHT

[75] Inventor: **Simon A. Brown**, Twickenham, United Kingdom

[73] Assignee: **Dynatec, Ltd.**, London, United Kingdom

[\*\*] Term: **14 Years**

[21] Appl. No.: **11,222**

[22] Filed: **Jul. 29, 1993**

[52] U.S. Cl. .... **D26/37**

[58] Field of Search ..... D26/37, 40, 72, D26/123, 124, 74; 362/157, 158, 190, 191, 172, 173, 205, 208, 209, 103, 105, 108; 340/321

## [56] References Cited

### U.S. PATENT DOCUMENTS

Re. 23,193	1/1950	Packet et al. ....	362/103 X
D. 214,943	8/1969	Zapolski .....	D26/37
D. 222,500	10/1971	Gugelot et al. ....	D26/37
4,316,241	2/1982	Gulliksen .....	362/164 X
4,451,871	5/1984	Kirkley et al. ....	362/103 X

## OTHER PUBLICATIONS

Hong Kong Enterprise Nov. 1984 p. 55—Power Failure Lite.

Hong Kong Enterprise Nov. 1986—p. 237—Flashlight item #L80.

Design Selection—May/Jun. 1987 p. 28—EverReady Flashlight.

*Primary Examiner*—A. Hugo Word

*Assistant Examiner*—Cynthia E. Ramirez

*Attorney, Agent, or Firm*—Daniel Williams

## [57] CLAIM

The ornamental design for a round portable safety light, as shown and described.

## DESCRIPTION

FIG. 1 is a front perspective view of the oval portable safety light showing my new design;

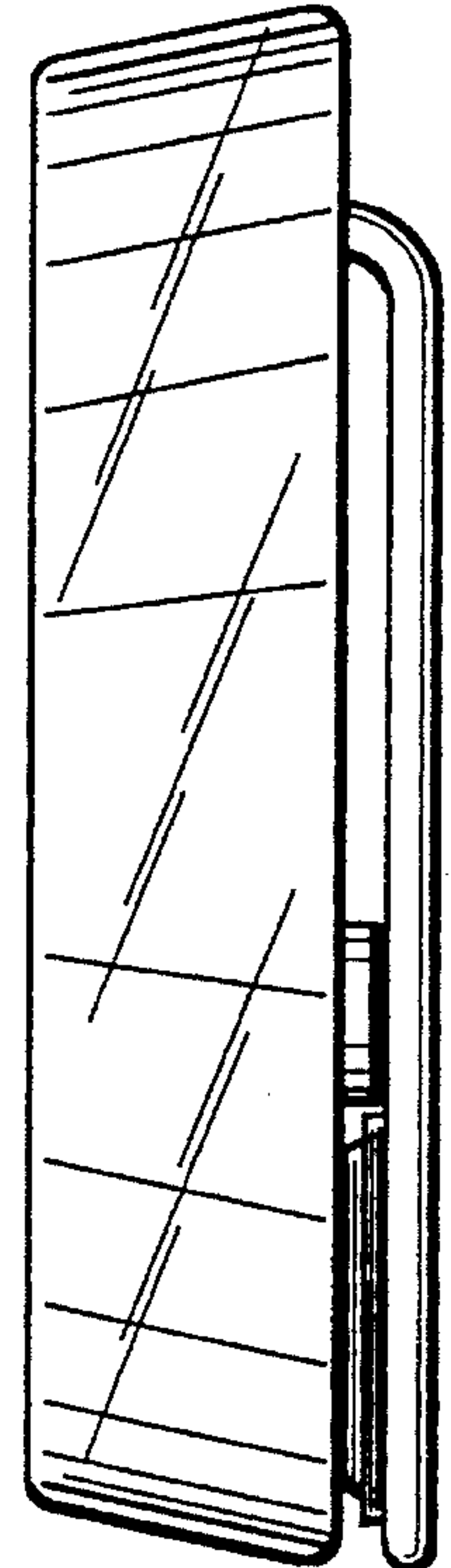
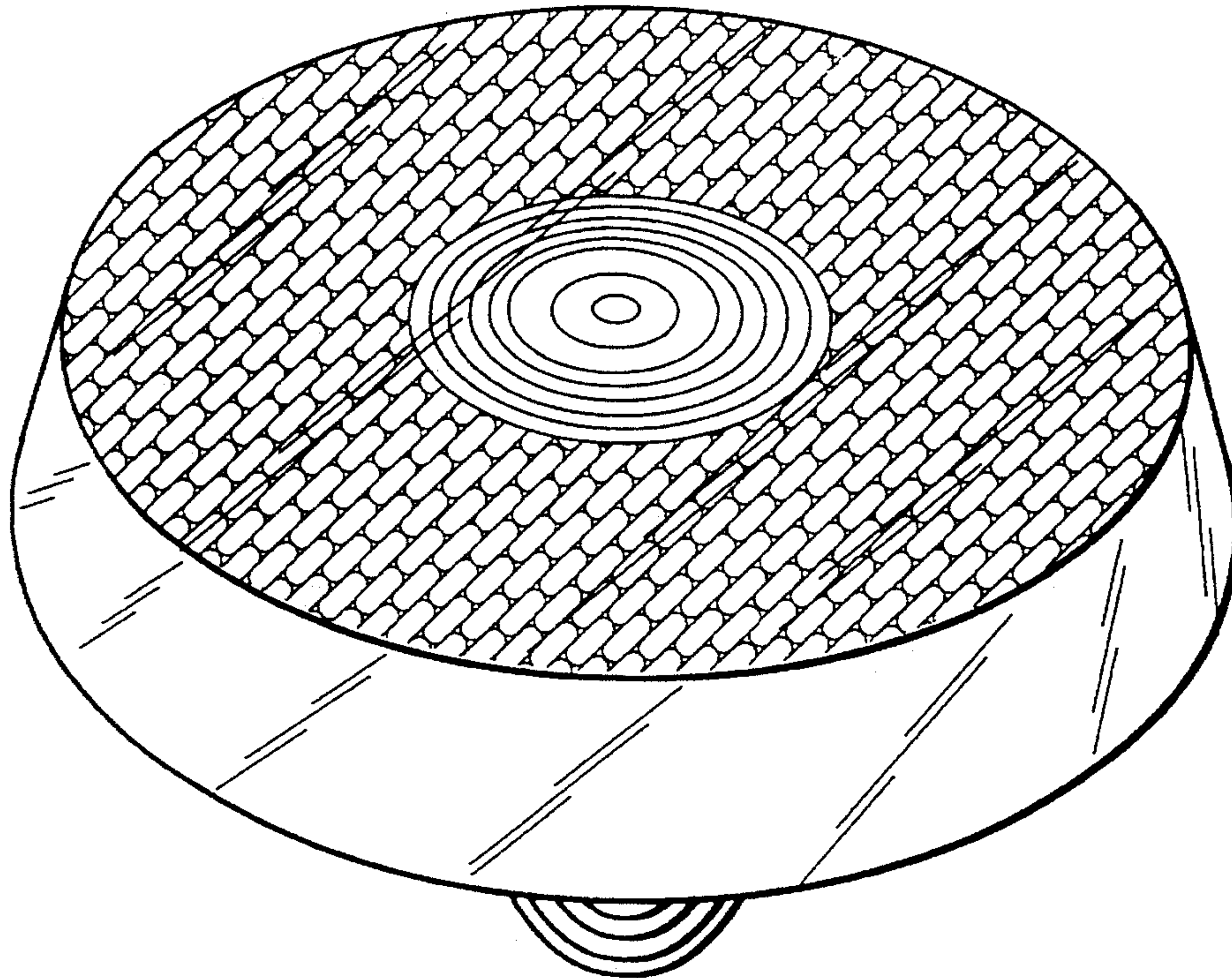
FIG. 2 is a front elevational view thereof;

FIG. 3 is a right side elevational view thereof;

FIG. 4 is a left side elevational view thereof;

FIG. 5 is a rear elevational view thereof.

1 Claim, 4 Drawing Sheets



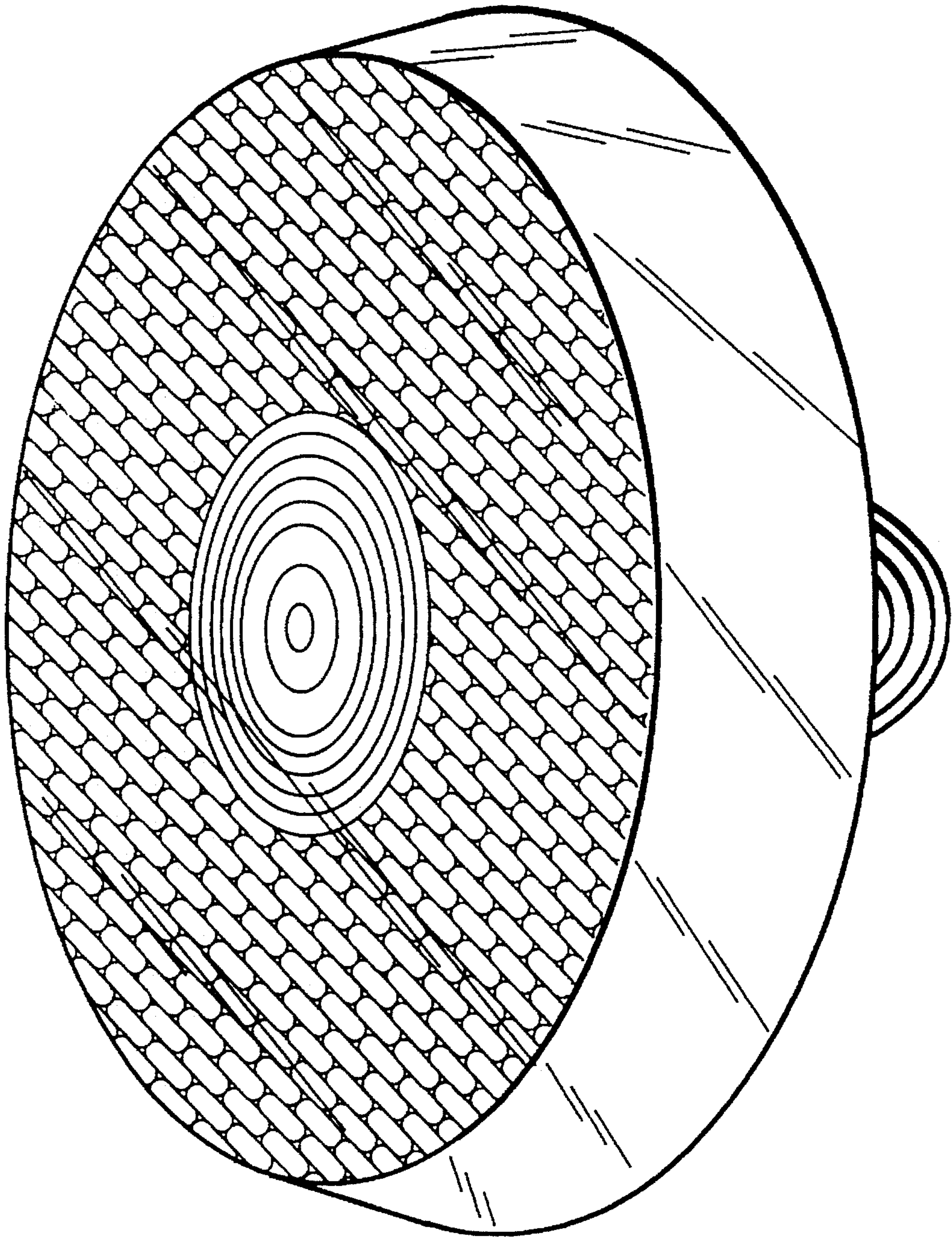


Fig. 1



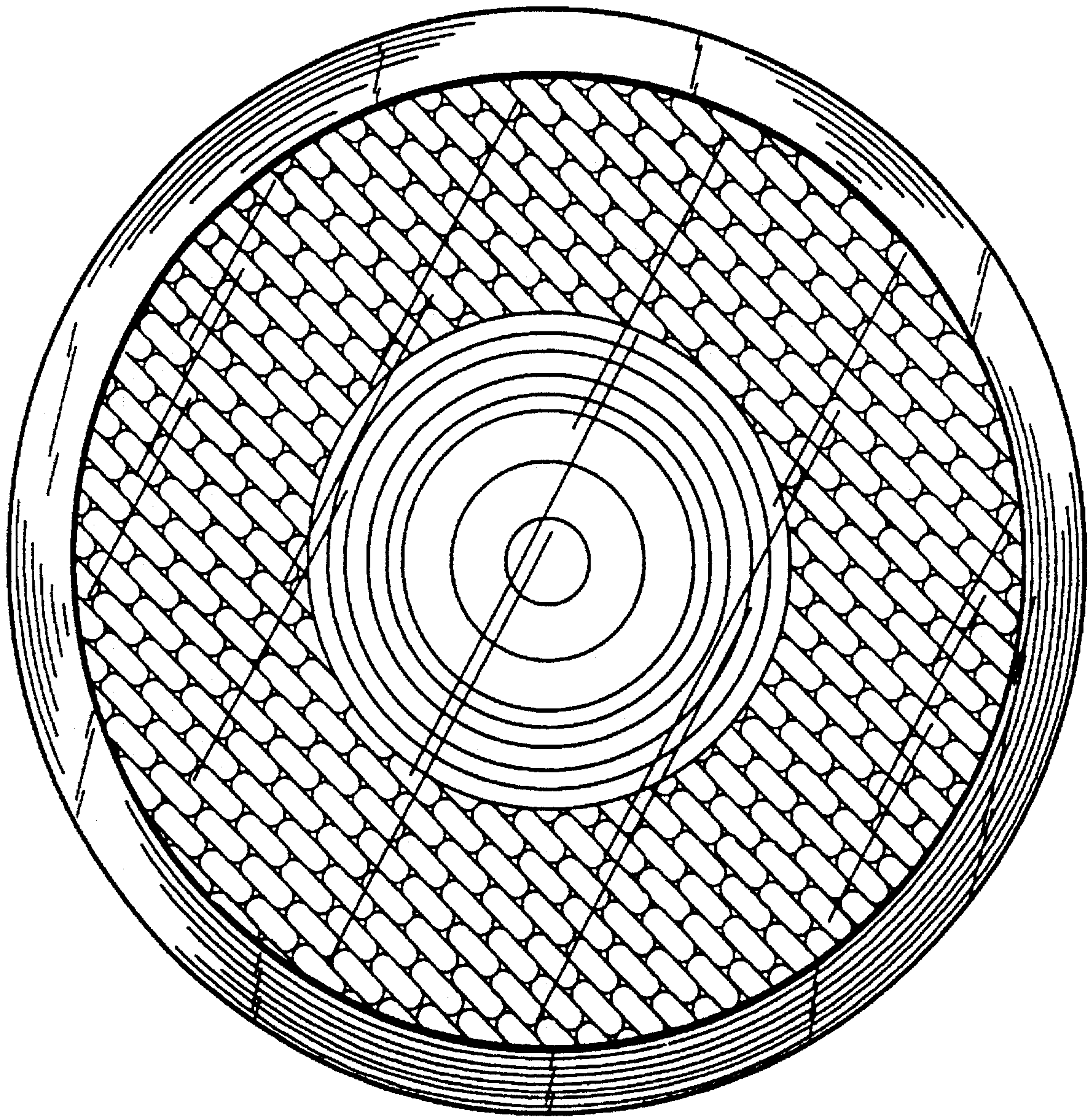


Fig. 2

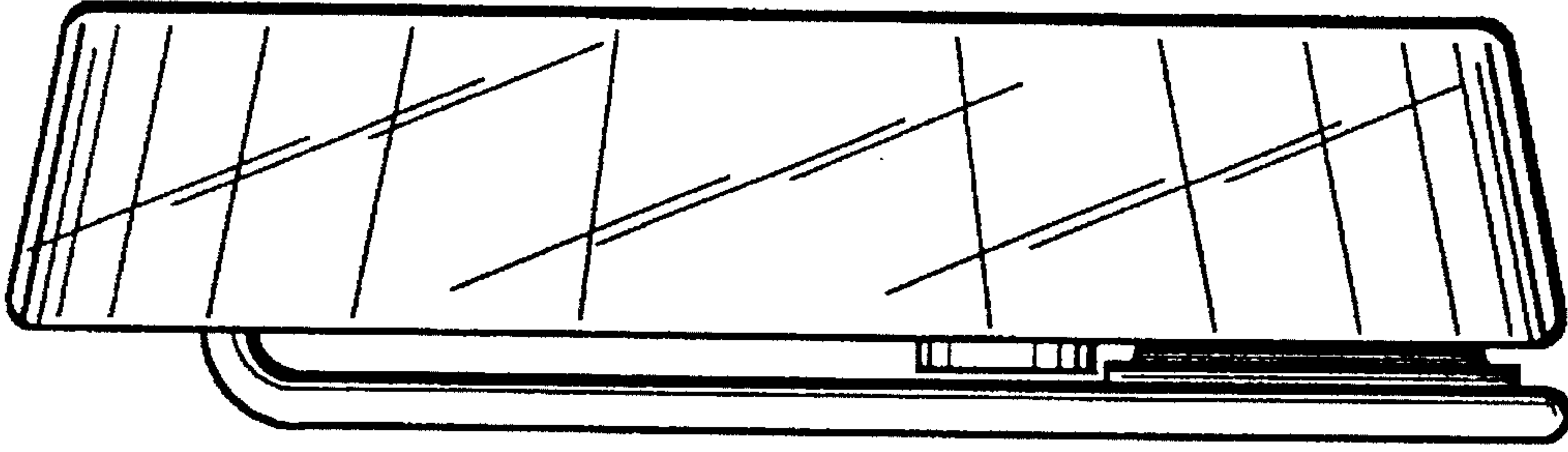


Fig. 4

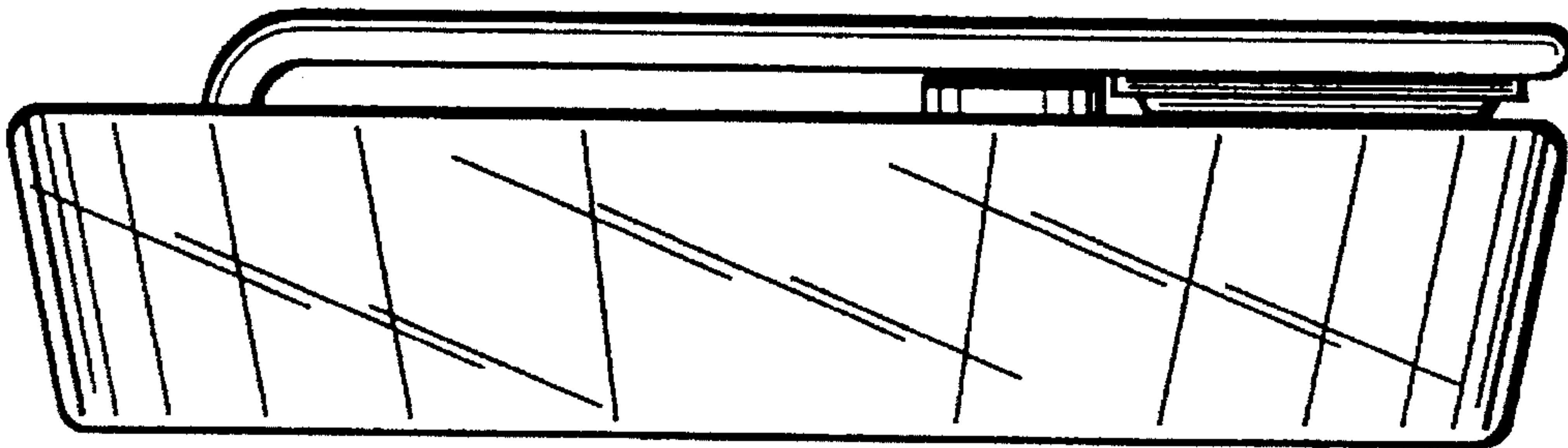


Fig. 3

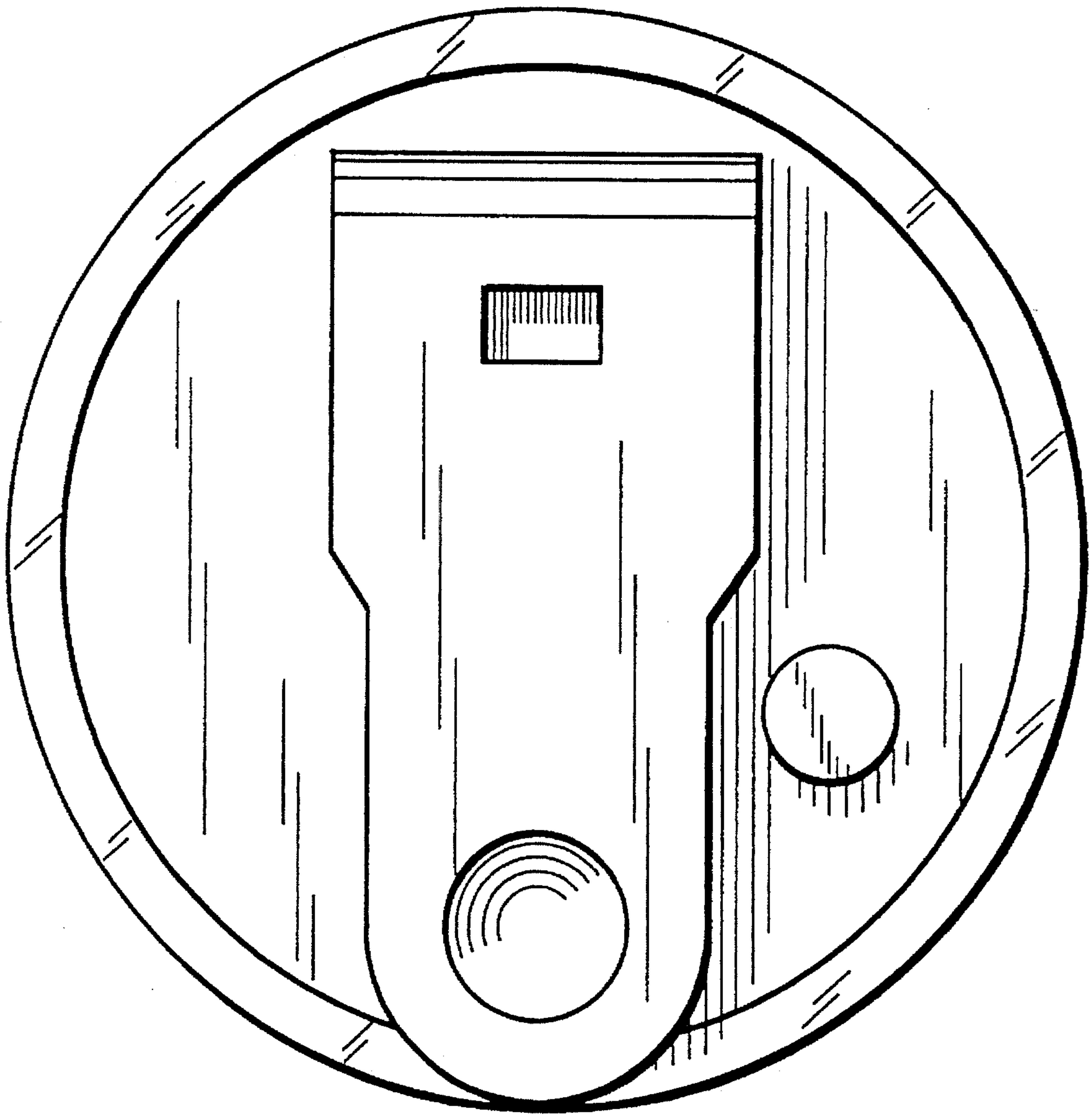


Fig. 5