



US00D366937S

**United States Patent** [19]  
**Schaub**

[11] **Patent Number:** **Des. 366,937**  
[45] **Date of Patent:** **\*\*Feb. 6, 1996**

[54] **COMBINED HEATING PAD AND  
ADJUSTABLE BELT**

[76] Inventor: **Wayne R. Schaub**, P.O. Box 5398,  
Muskegon, Mich. 49445

[\*\*] Term: **14 Years**

[21] Appl. No.: **19,855**

[22] Filed: **Mar. 14, 1994**

[52] U.S. Cl. .... **D24/206**

[58] Field of Search ..... D24/207; 607/96,  
607/98, 99, 108, 112

[56] **References Cited**

**U.S. PATENT DOCUMENTS**

D. 324,734	3/1992	Burgess	.....	D24/207
4,303,074	12/1981	Bender	.....	607/96
4,736,088	4/1988	Bart	.....	607/96 X
5,000,176	3/1991	Daniel	.	
5,016,629	5/1991	Kanare	.	
5,052,387	10/1991	Natali	.	

*Primary Examiner*—Stella Reid  
*Attorney, Agent, or Firm*—Terry M. Gernstein

[57] **CLAIM**

The ornamental design for a combined heating pad and adjustable belt, as shown and described.

**DESCRIPTION**

FIG. 1 is a front, top and side perspective view of the combined heating pad and adjustable belt showing my new design in the disassembled condition, the electric cords connecting the power pack on the adjustable belt to the joint bandage and to power being broken away for the sake of convenience of illustration;

FIG. 2 is a front elevational view thereof;

FIG. 3 is a rear elevational view thereof;

FIG. 4 is a side elevational view thereof;

FIG. 5 is a side elevational view thereof;

FIG. 6 is a top plan view thereof;

FIG. 7 is a bottom plan view thereof; and,

FIG. 8 is a perspective view thereof in an assembled state.

**1 Claim, 5 Drawing Sheets**

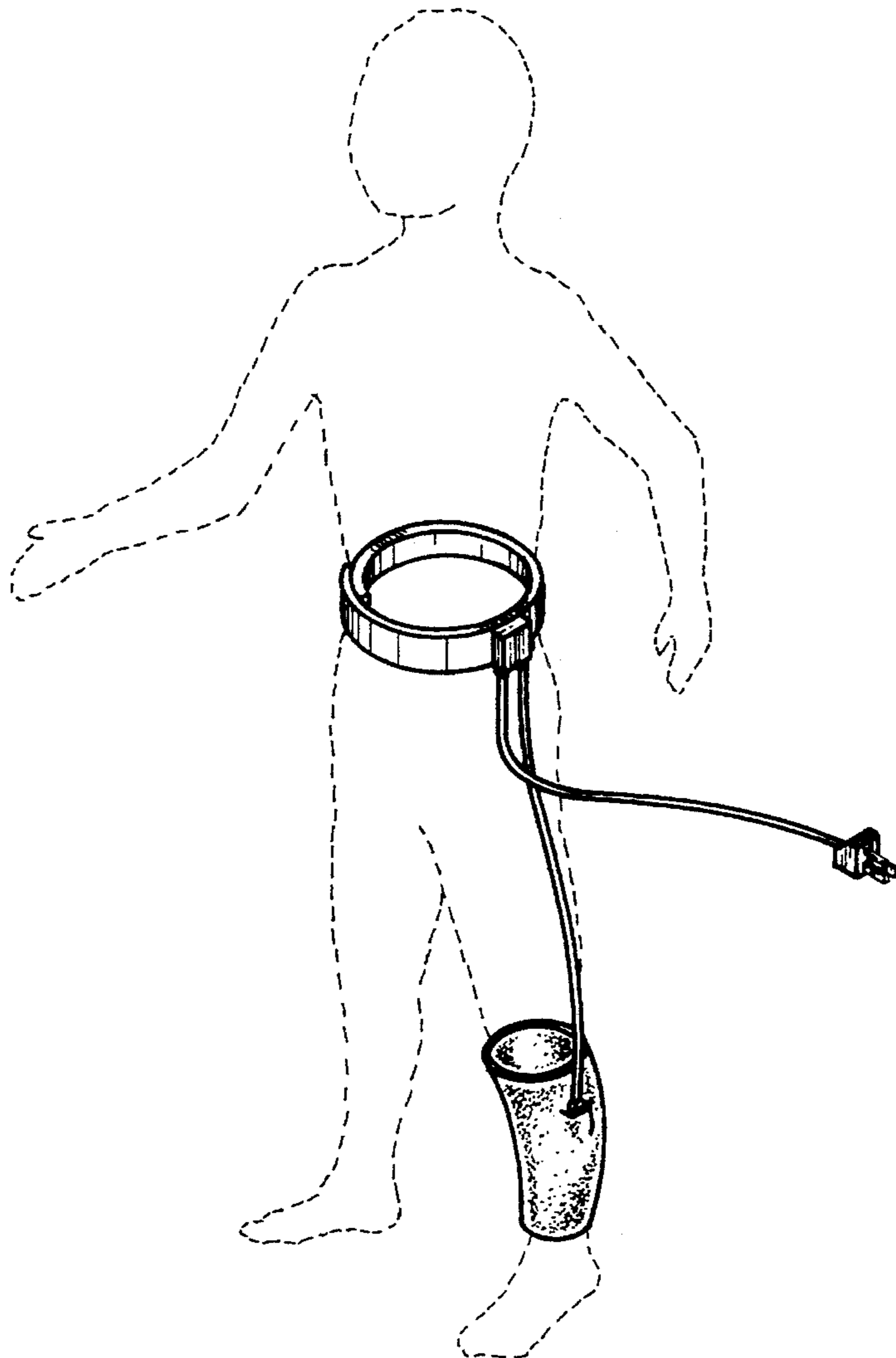
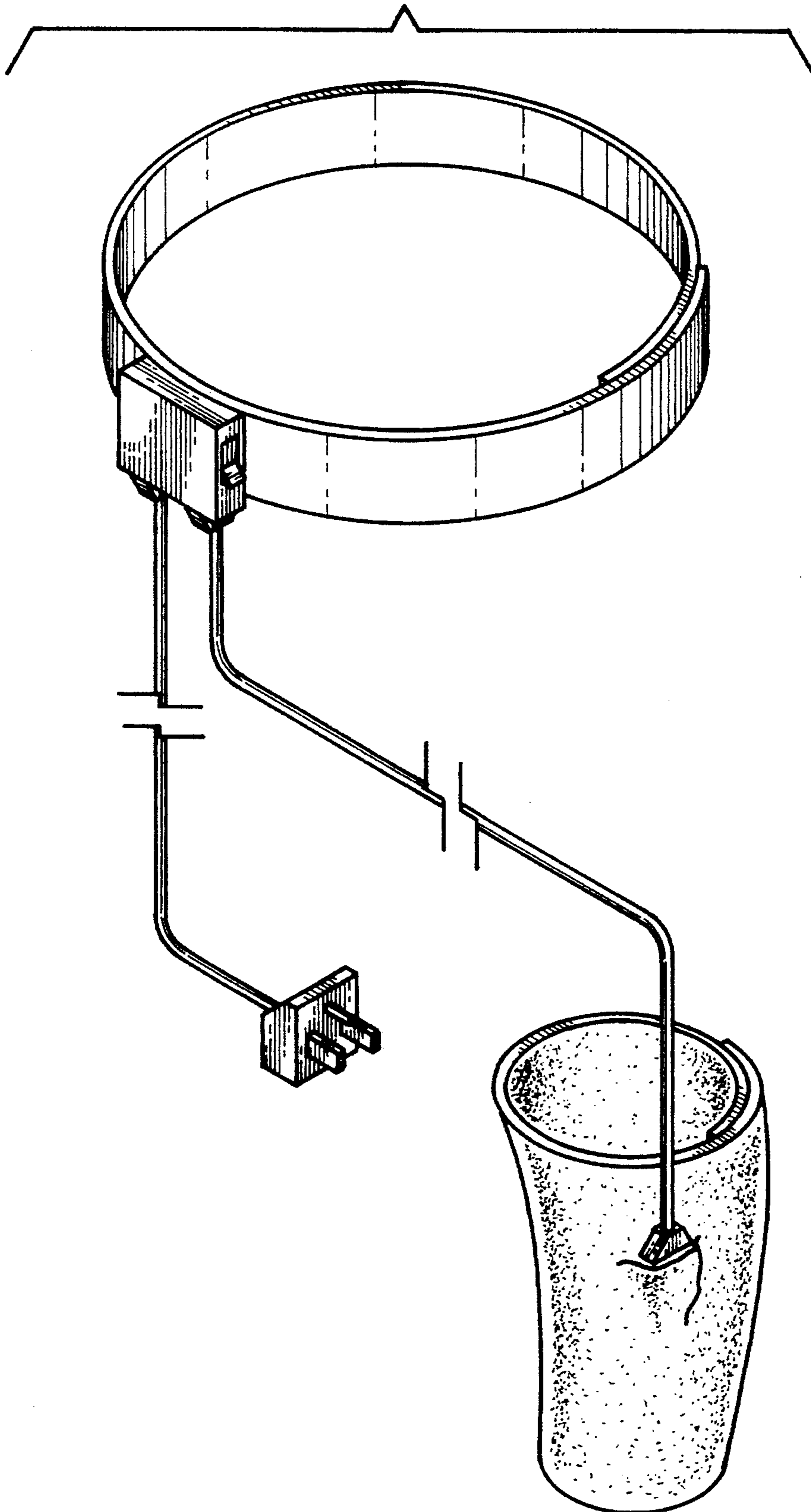
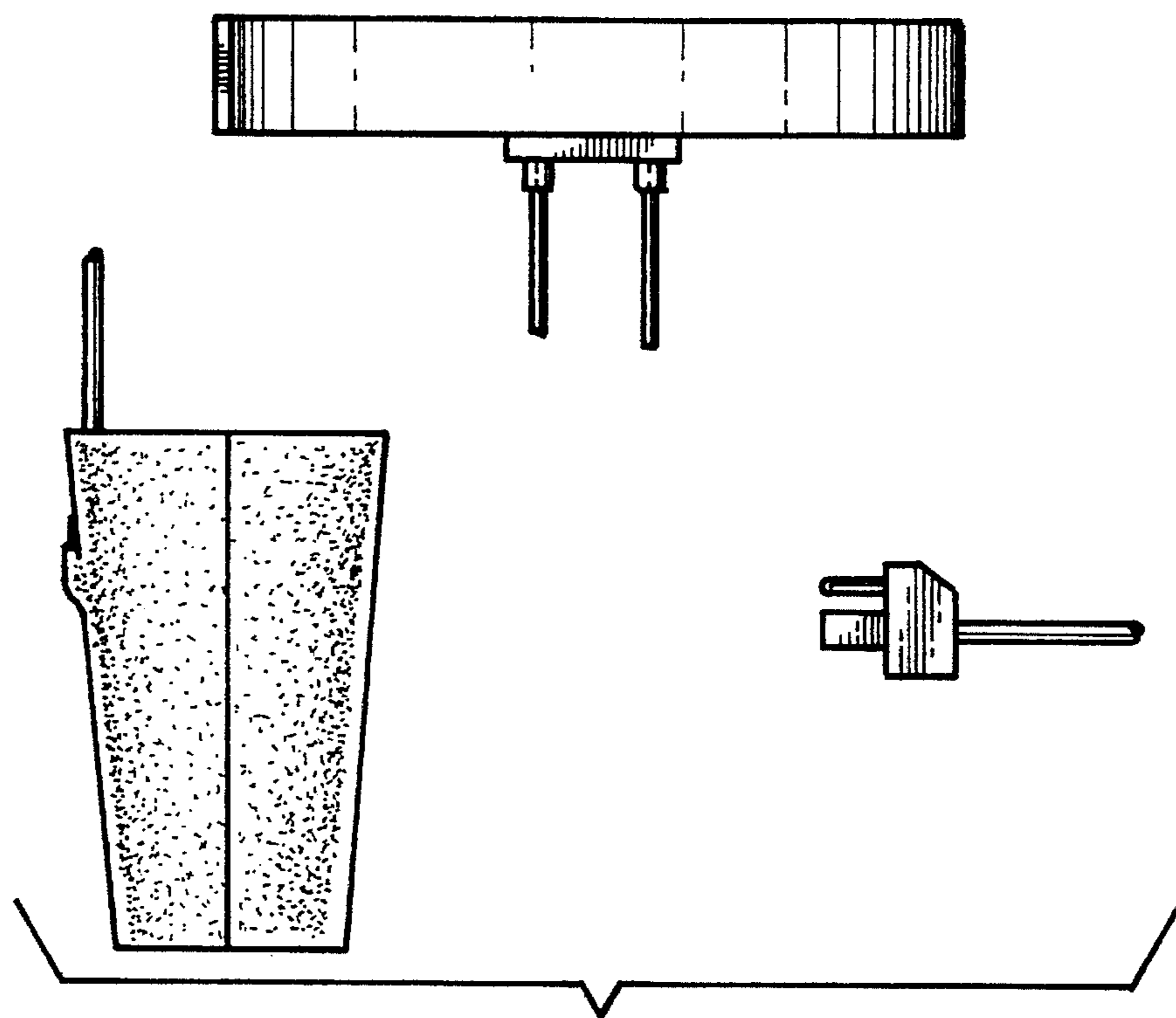
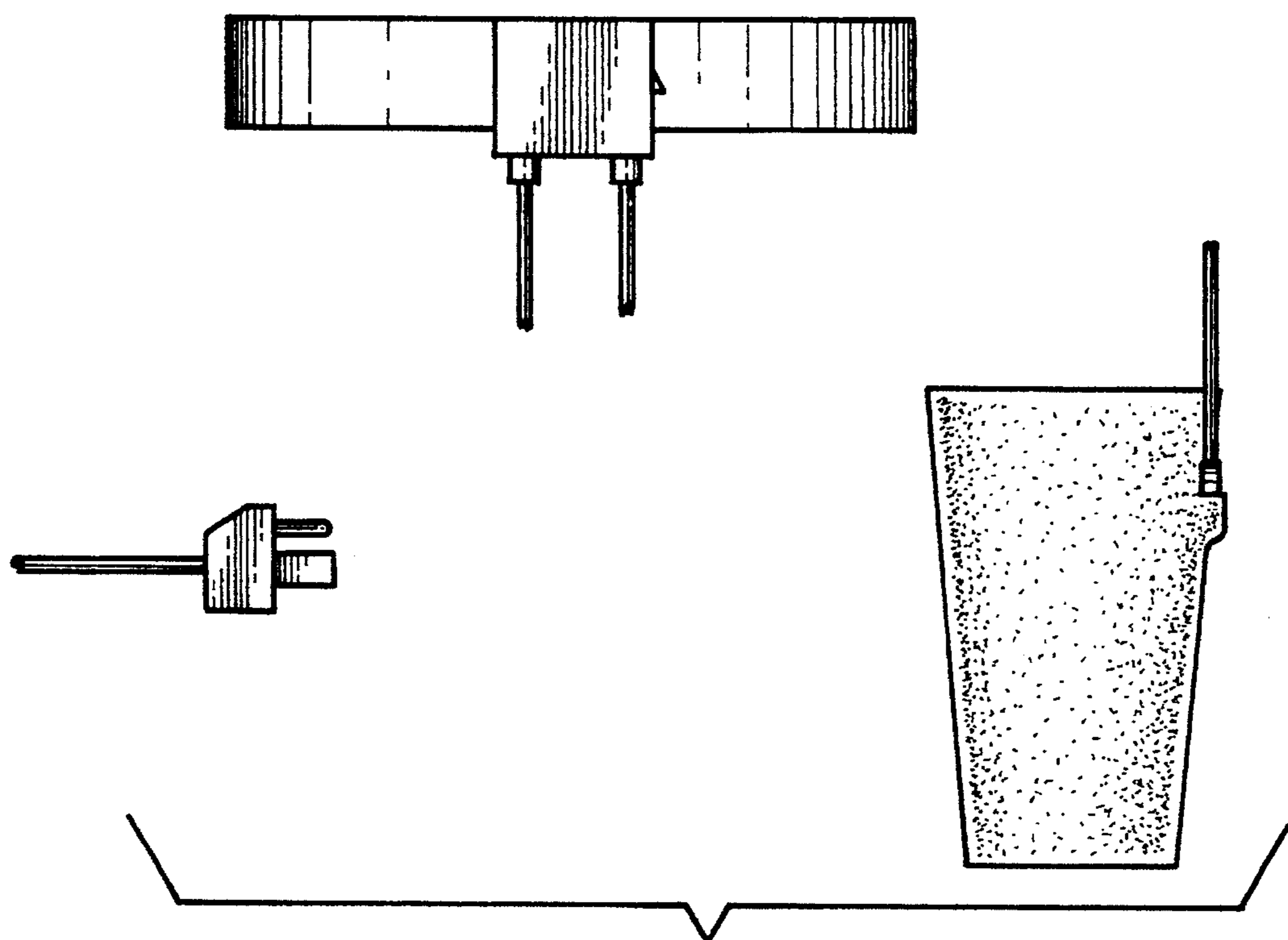


FIG. 1





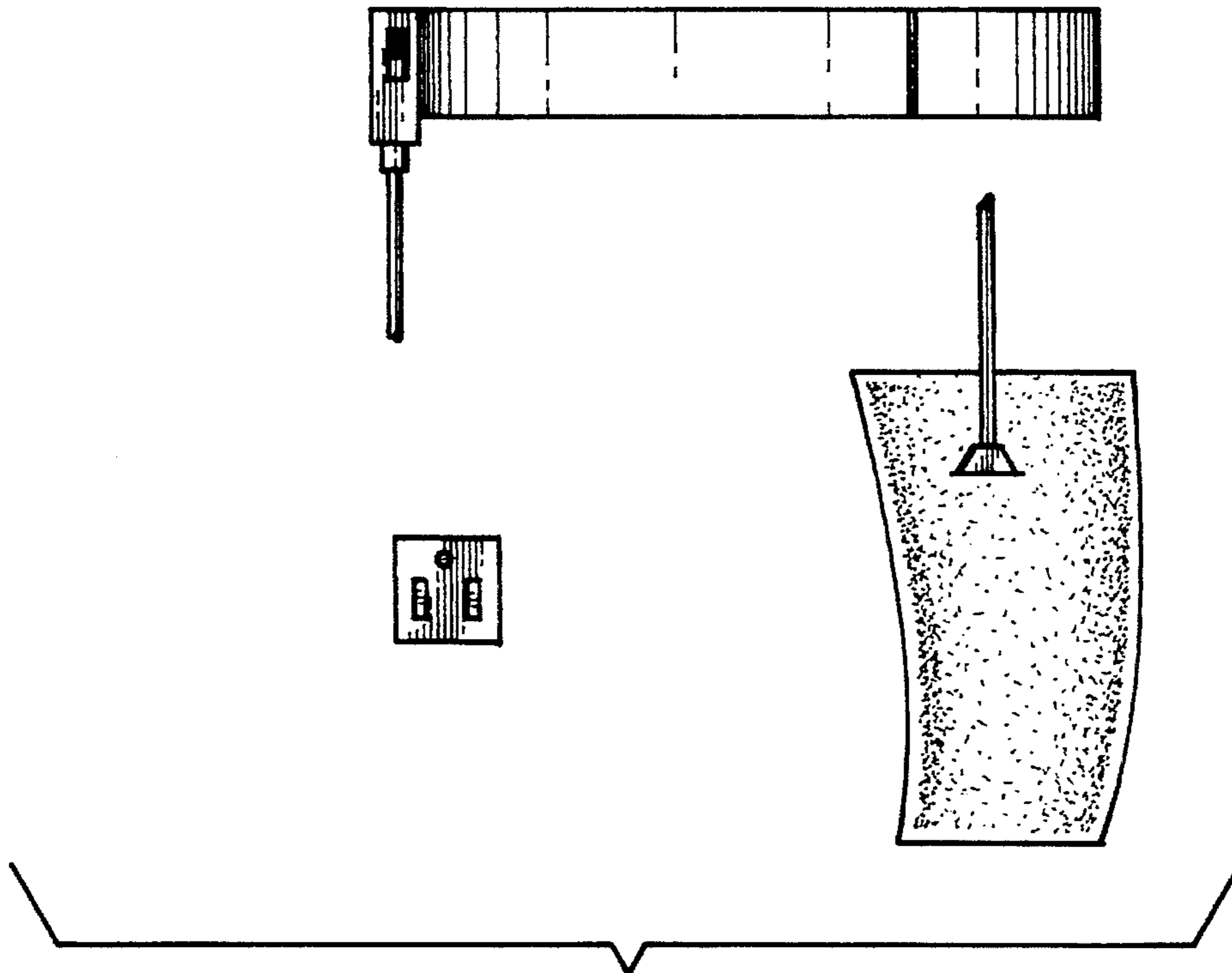


FIG. 4

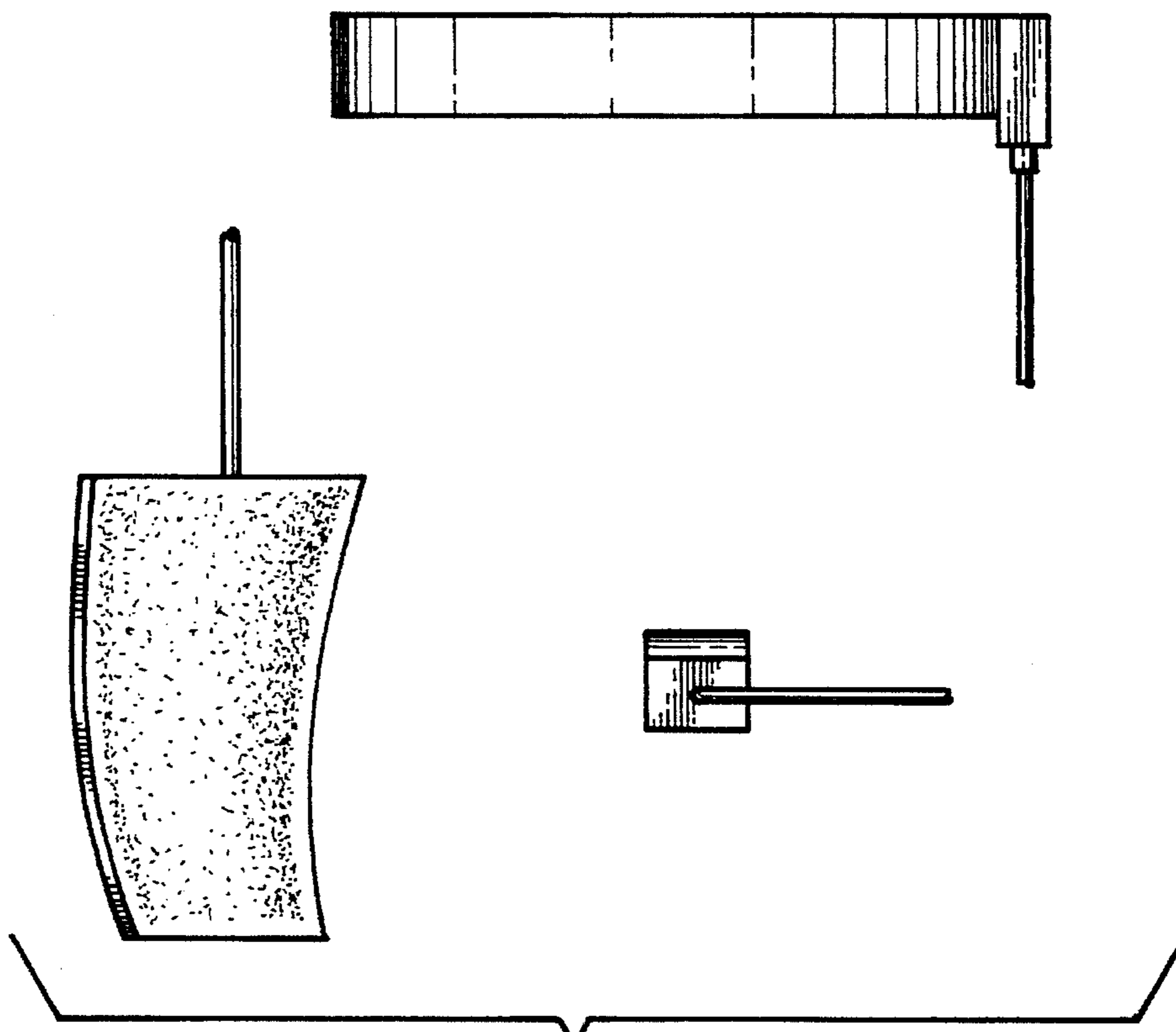


FIG. 5

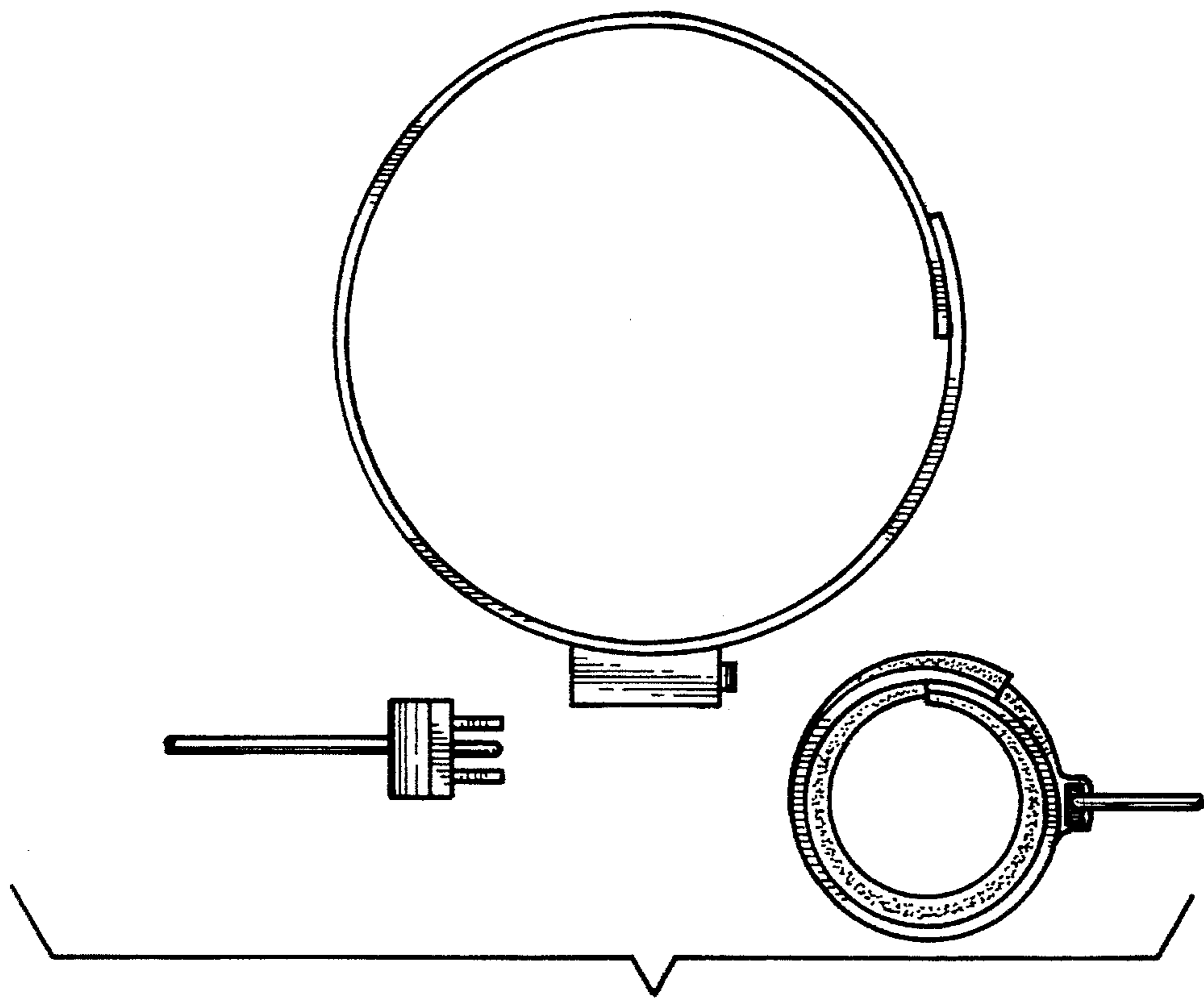


FIG. 6

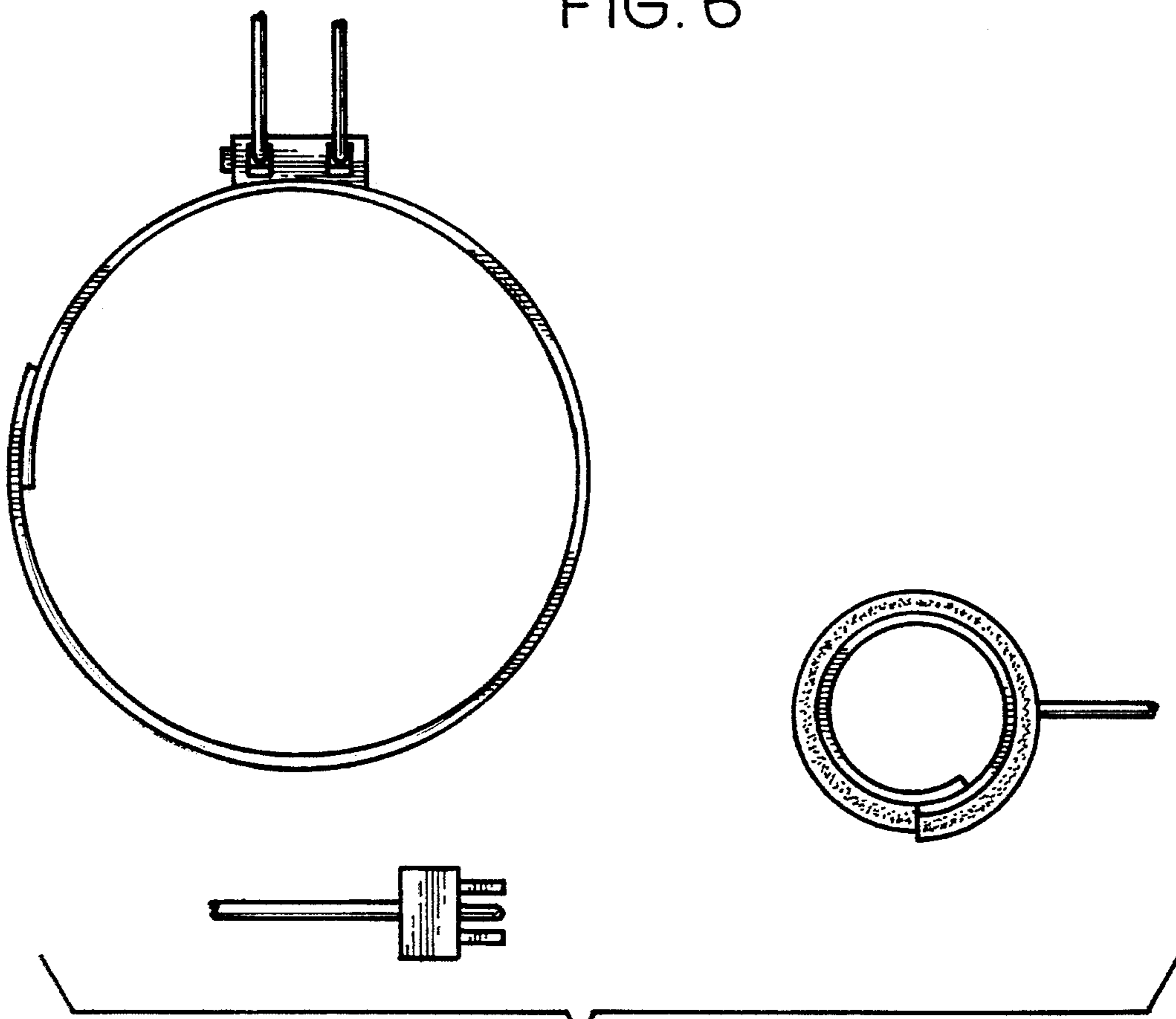


FIG. 7

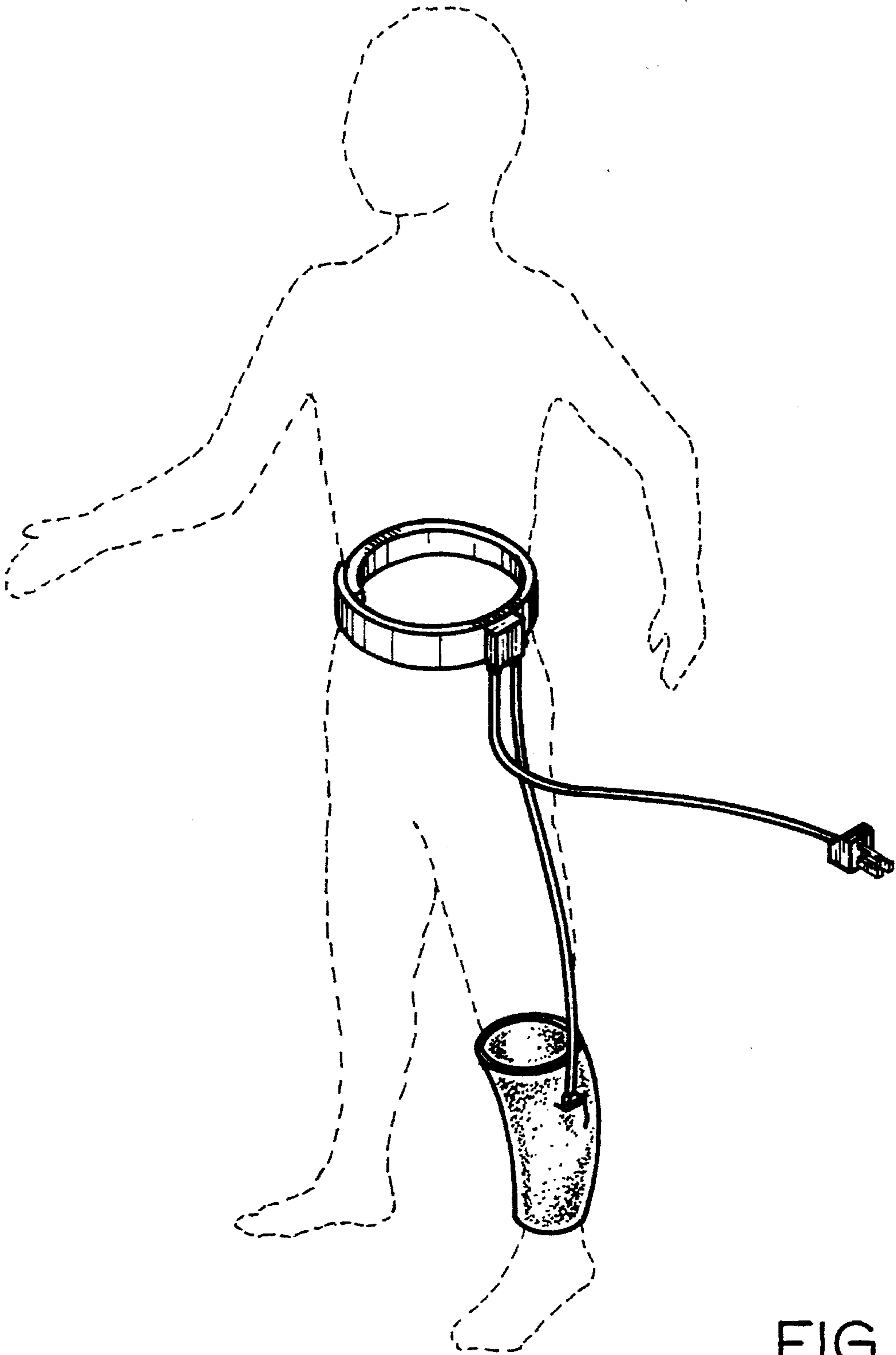


FIG. 8