



US00D366935S

United States Patent [19]

Arthun et al.

[11] Patent Number: **Des. 366,935**

[45] Date of Patent: ****Feb. 6, 1996**

[54] **IMPELLER**

3,608,976 9/1971 Zugelder D23/413

[75] Inventors: **Nils Arthun, Öckerö; Sten Johansson, Hisings Kärra; Håkan Samuelsson, Onsala, all of Sweden**

OTHER PUBLICATIONS

NovAseptic Equipment AB Sales Brochure.

[73] Assignee: **Novaseptic Equipment Aktiebolag, Nodinge, Sweden**

Primary Examiner—Lisa P. Lichtenstein
Attorney, Agent, or Firm—Dvorak and Traub

[**] Term: **14 Years**

[57] CLAIM

[21] Appl. No.: **31,994**

The ornamental design for an impeller, as shown and described.

[22] Filed: **Dec. 12, 1994**

[30] Foreign Application Priority Data

DESCRIPTION

Jun. 20, 1994 [SE] Sweden 941381

[52] U.S. Cl. **D23/411; D12/214; D23/377; D23/413**

FIG. 1 is a perspective view of the impeller showing our new design;

FIG. 2 is a bottom plan view thereof;

[58] Field of Search **D23/377, 411, D23/413; 416/223 R**

FIG. 3 is a side elevational view thereof, the other sides being identical to that shown; and,

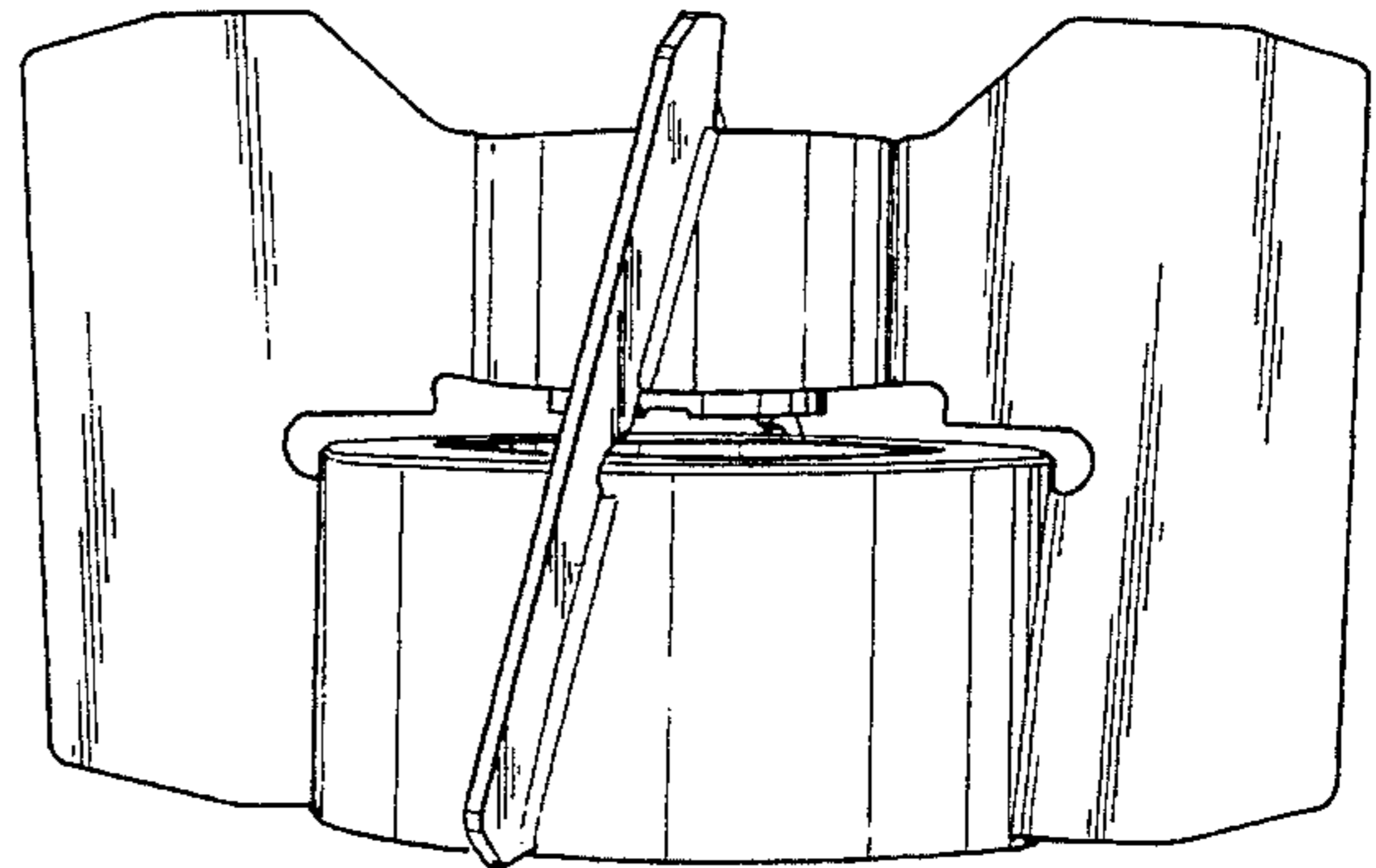
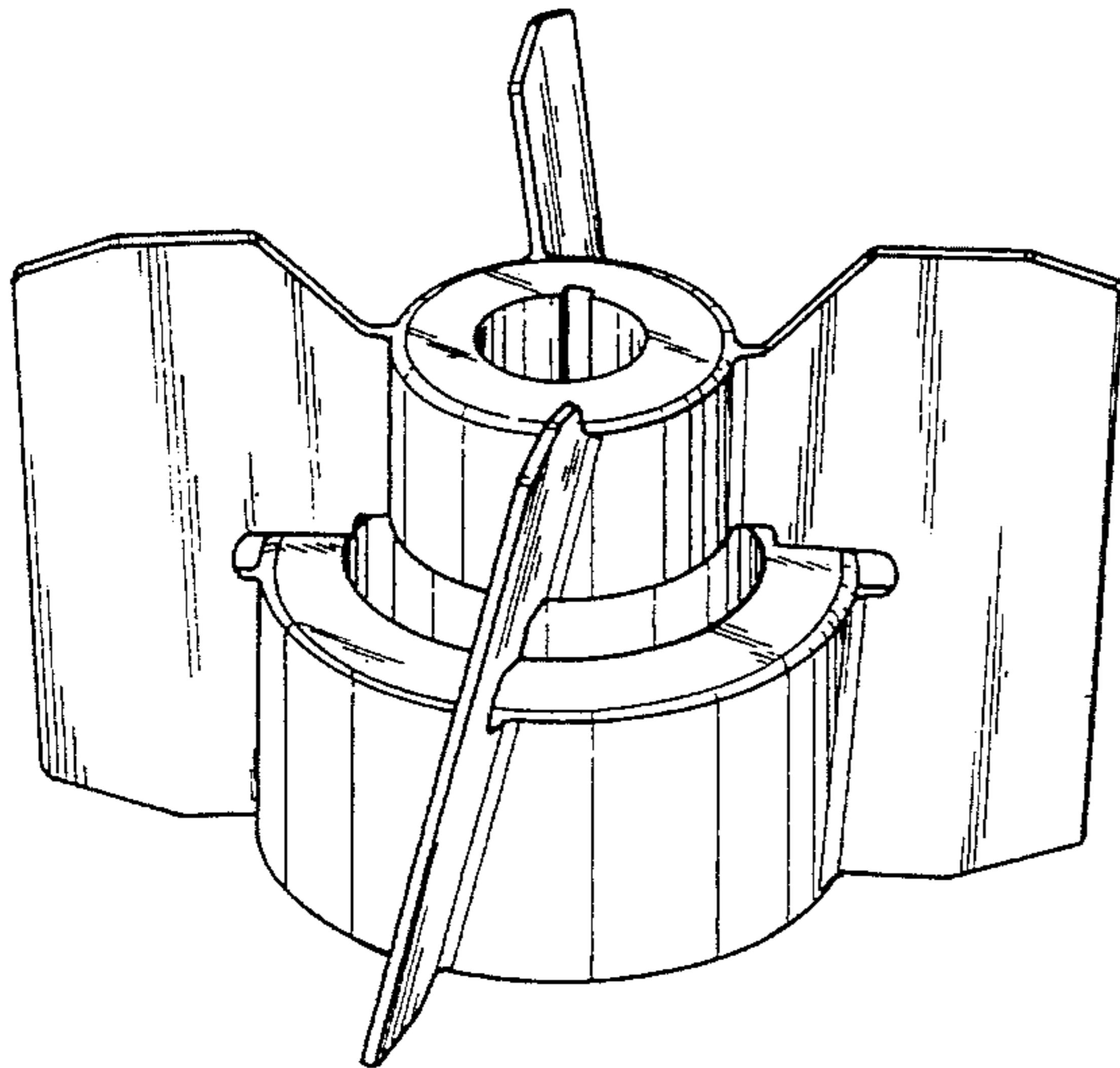
FIG. 4 is a top plan view thereof.

[56] References Cited

U.S. PATENT DOCUMENTS

3,526,467 9/1970 Kime 416/244 R

1 Claim, 2 Drawing Sheets



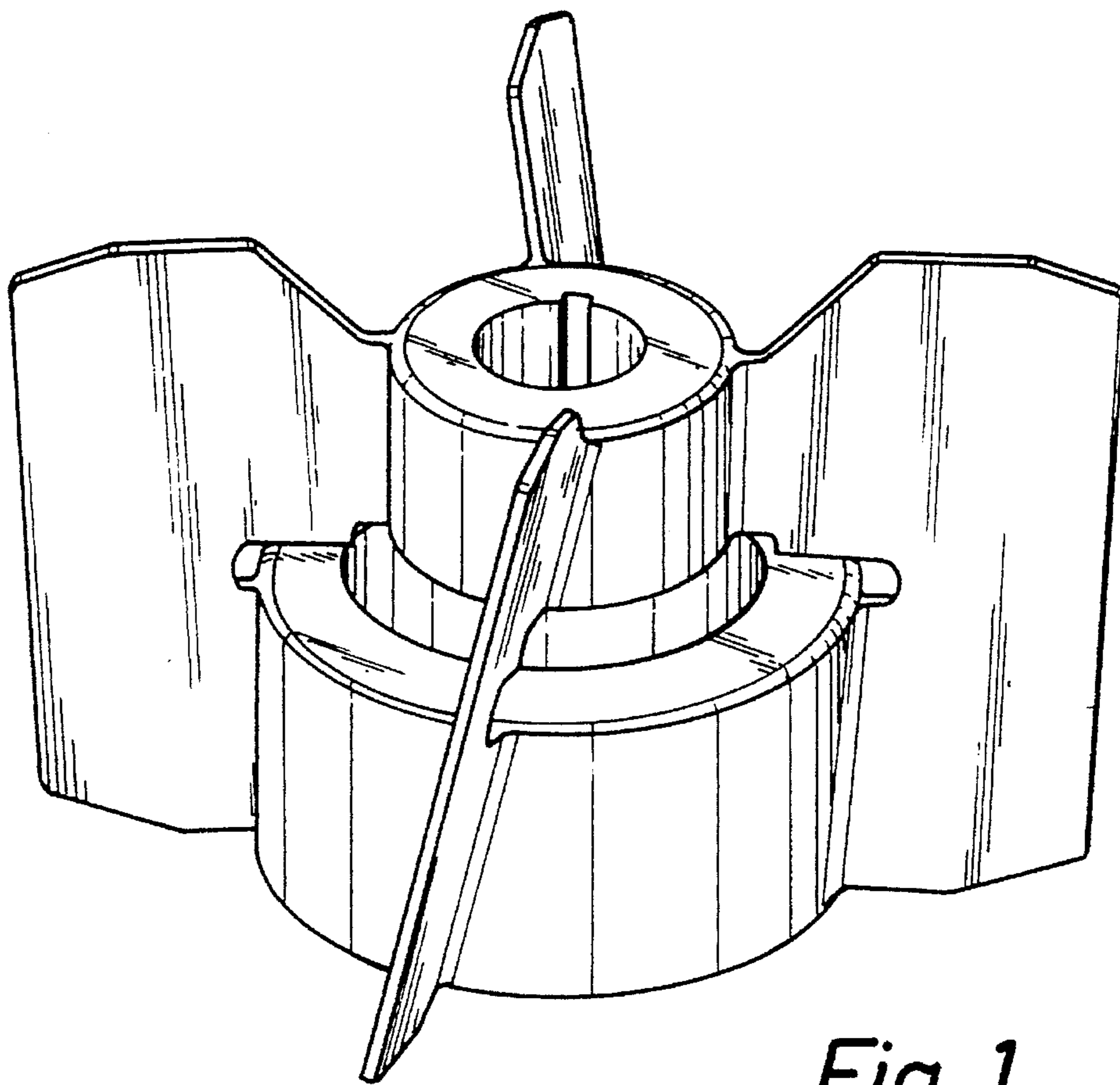
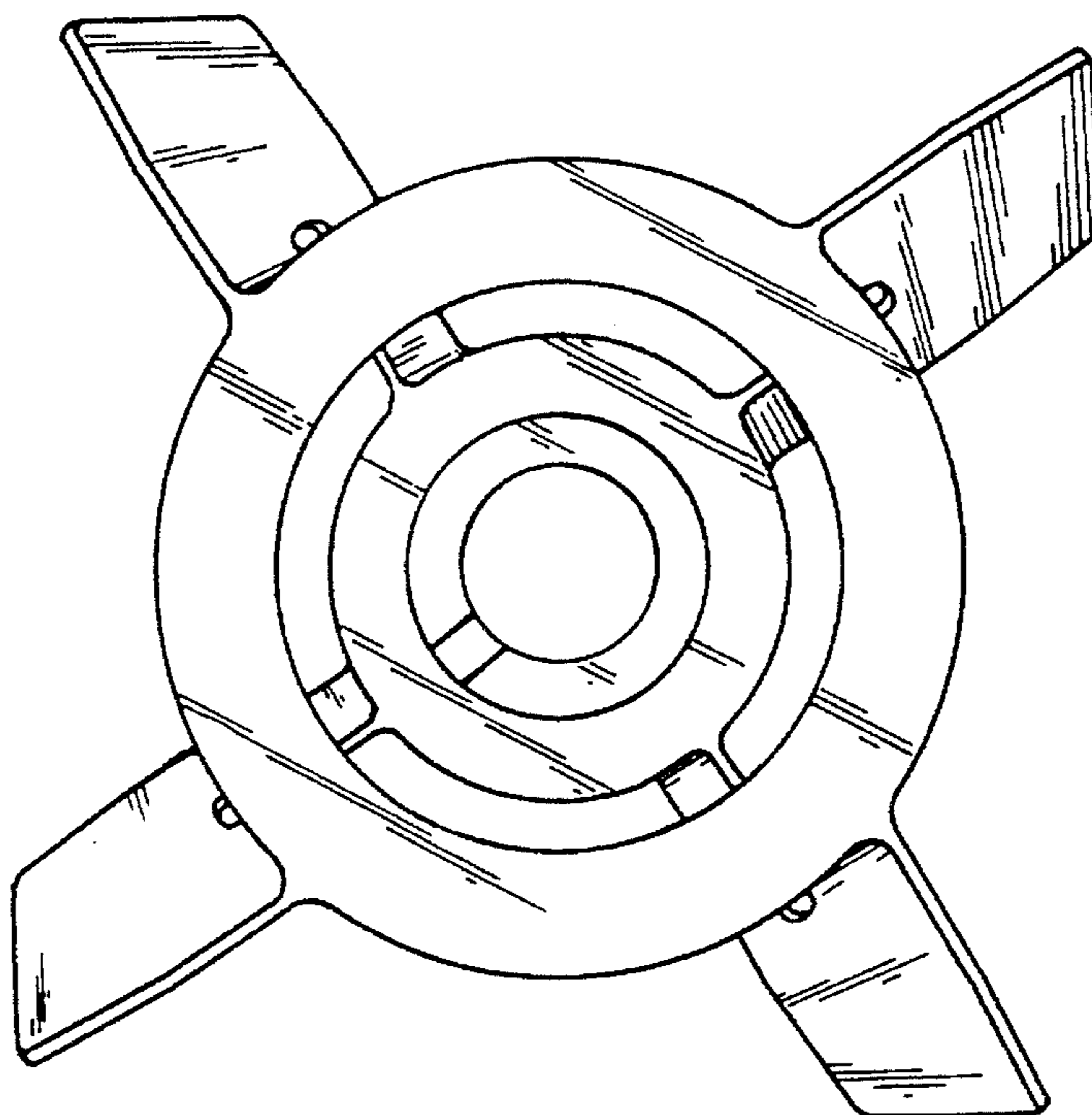


Fig. 1

Fig. 2



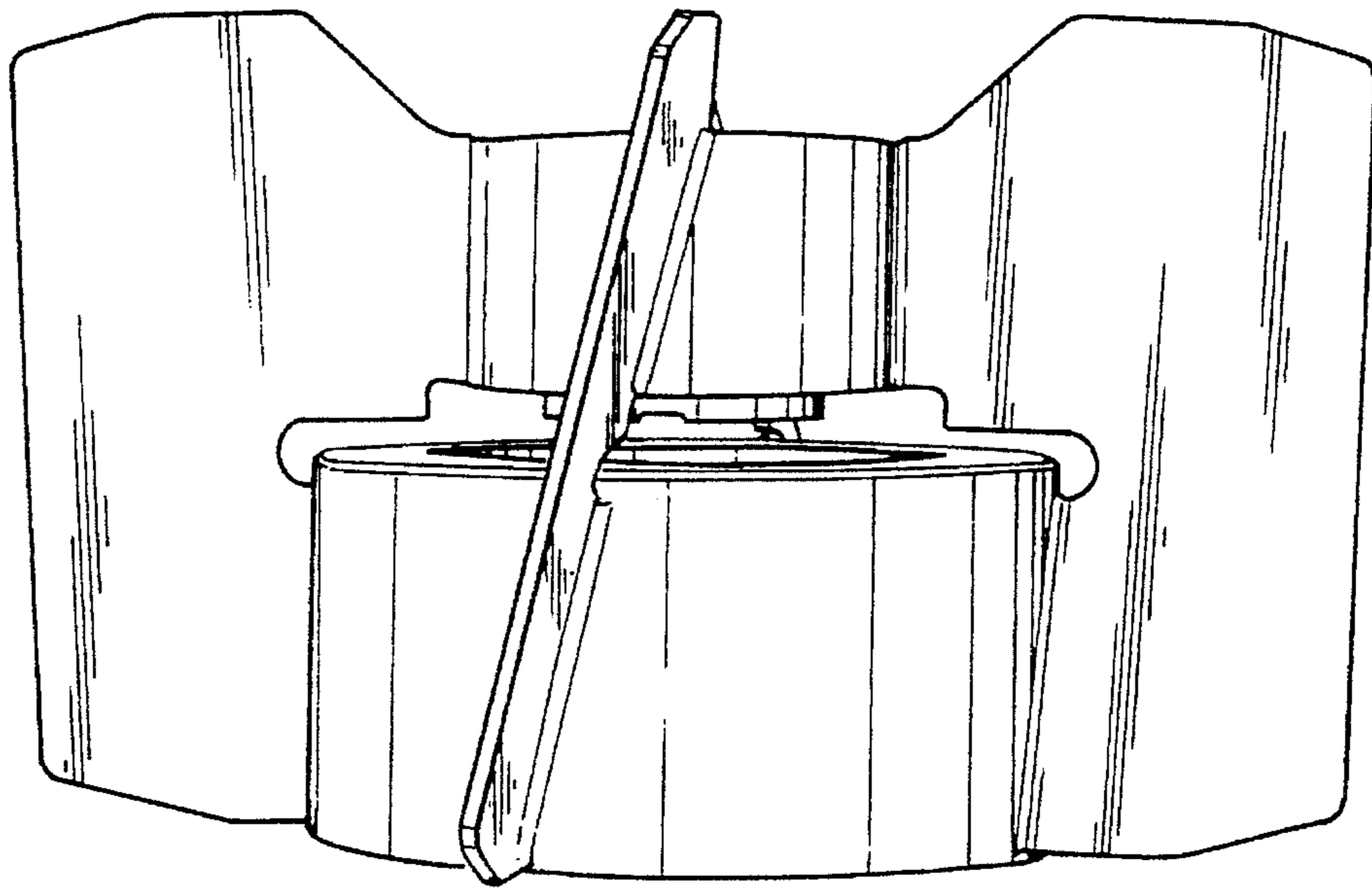


Fig. 3

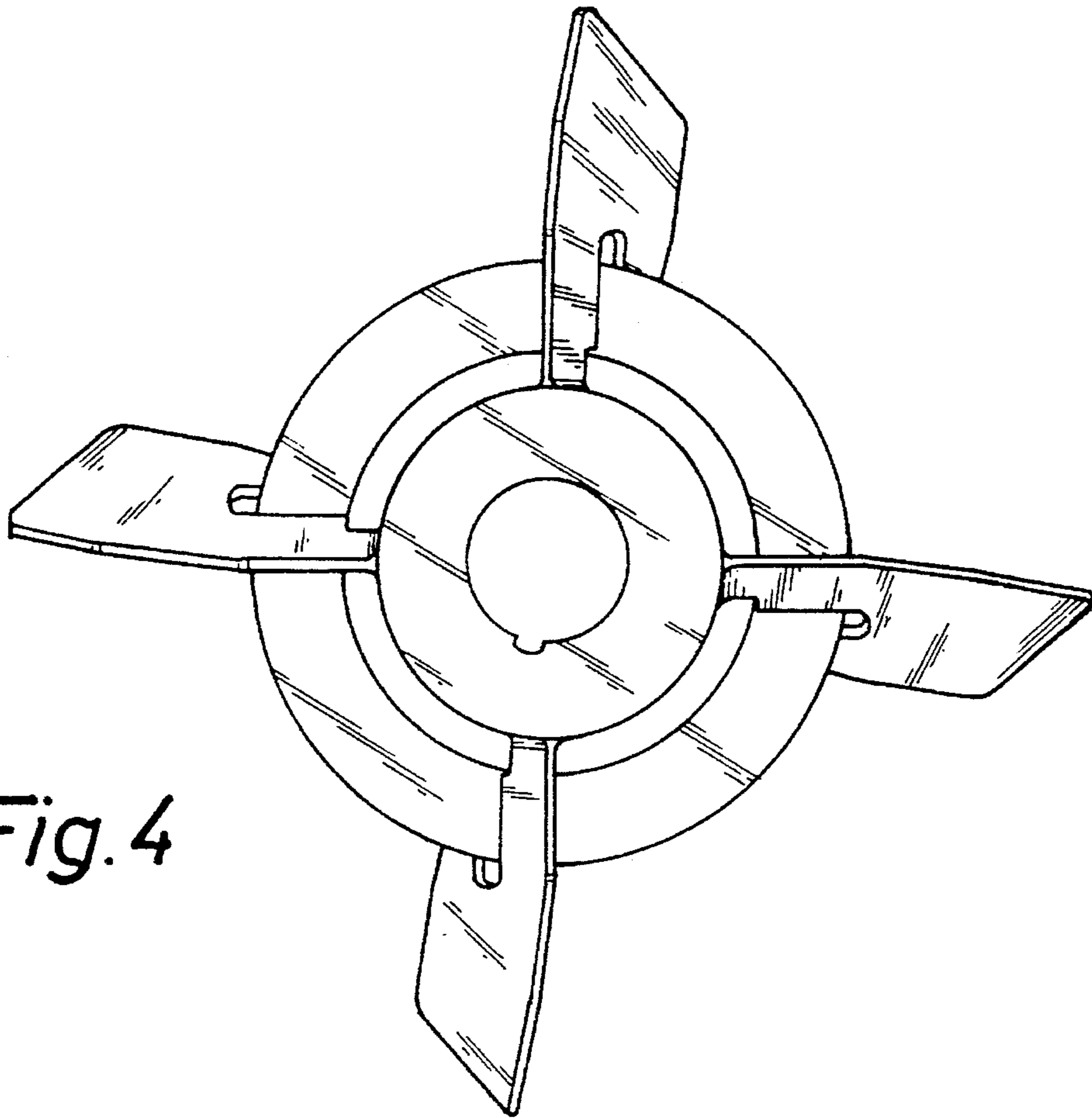


Fig. 4