



US00D366934S

United States Patent [19]
Asselbergs

[11] **Patent Number: Des. 366,934**
[45] **Date of Patent: **Feb. 6, 1996**

[54] **ROOM AIR FAN HOUSING**

FOREIGN PATENT DOCUMENTS

[76] Inventor: **Christophe K. J. Asselbergs**, 201 7th St., Durant, Iowa 52747

68594 4/1982 Japan 415/121.2

[**] Term: **14 Years**

Primary Examiner—Lisa P. Lichtenstein
Attorney, Agent, or Firm—Zarley, McKee, Thomte, Voorhees & Sease

[21] Appl. No.: **37,547**

[57] **CLAIM**

[22] Filed: **Apr. 17, 1995**

The ornamental design for a room air fan housing, as shown and described.

[52] U.S. Cl. **D23/411; D23/335; D23/370; D23/381**

DESCRIPTION

[58] **Field of Search** D23/370, 411, D23/335, 328, 332, 381, 412; 415/121.2; 392/365-369

FIG. 1 is an isometric view of the design for a room air fan housing;

FIG. 2 is a front elevational view thereof, the rear being a mirror image of that shown;

FIG. 3 is a side elevational view thereof taken from the right of FIG. 2; and,

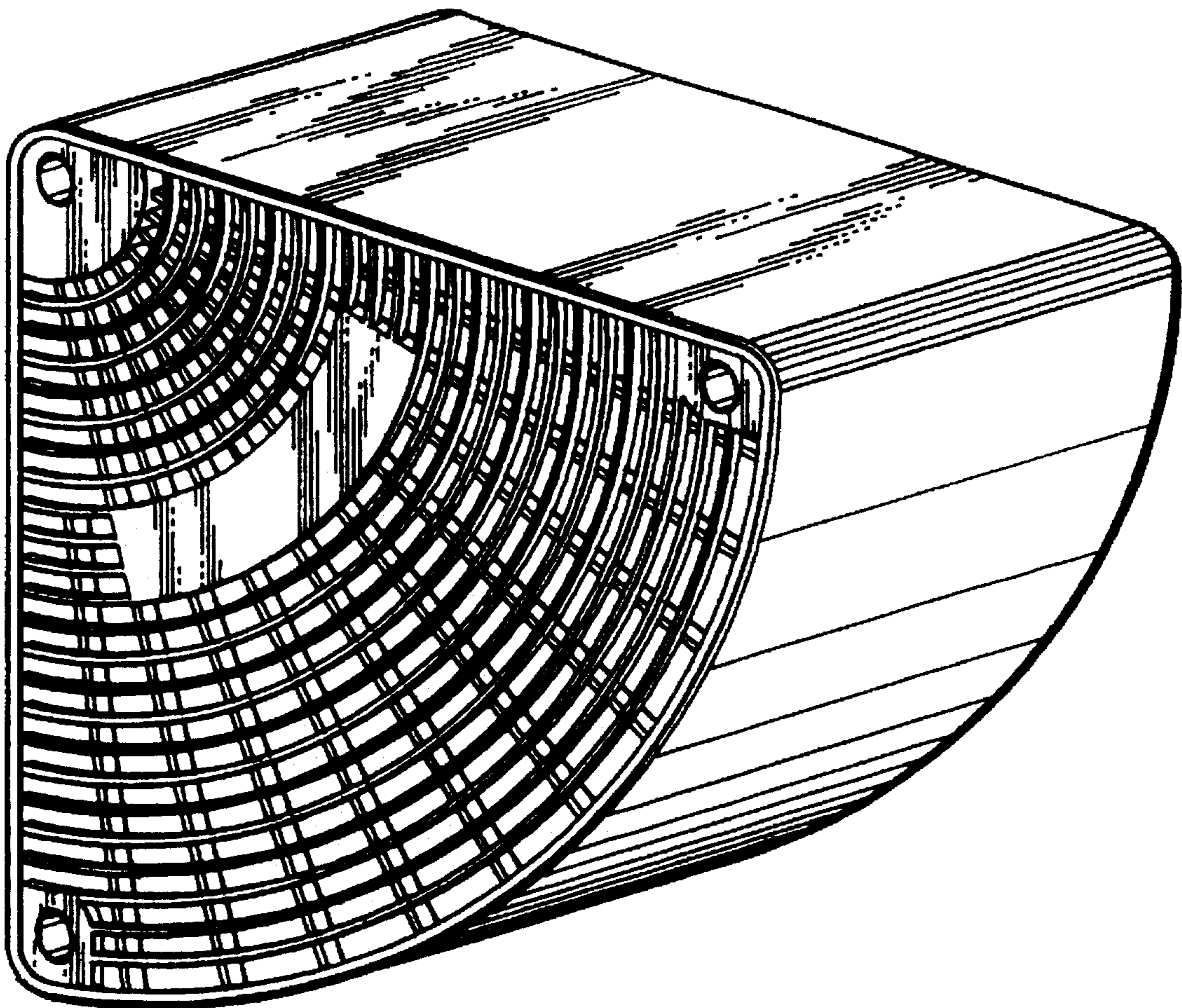
FIG. 4 is a top plan view thereof, the left elevational view being identical to the top plan view.

[56] **References Cited**

U.S. PATENT DOCUMENTS

D. 253,965 1/1980 Ehrentraut-Jones et al. D23/370
D. 358,873 5/1995 Pelonis D23/332
4,724,747 2/1988 Sturm et al. 415/121.2

1 Claim, 1 Drawing Sheet



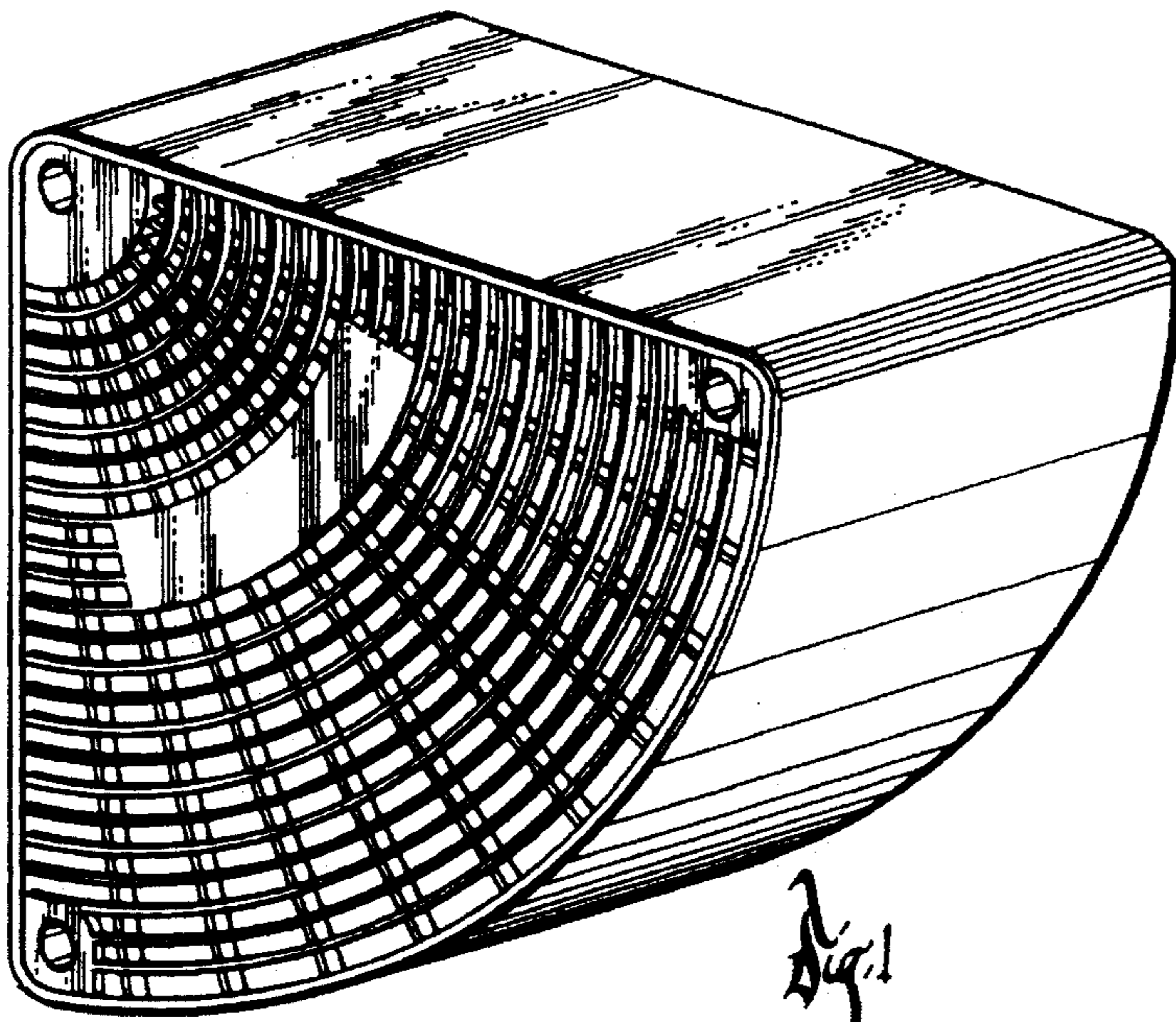


Fig. 1

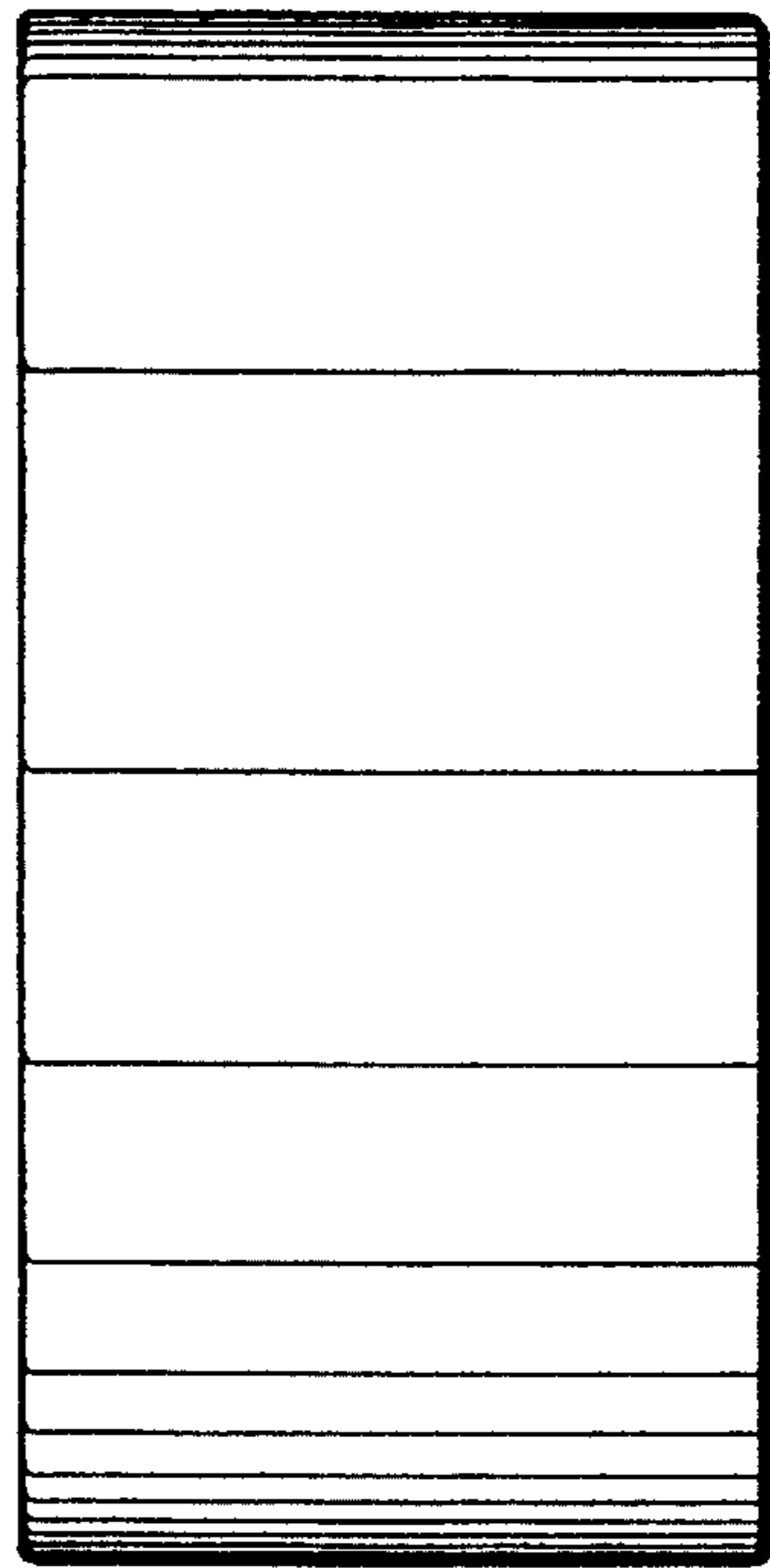


Fig. 3

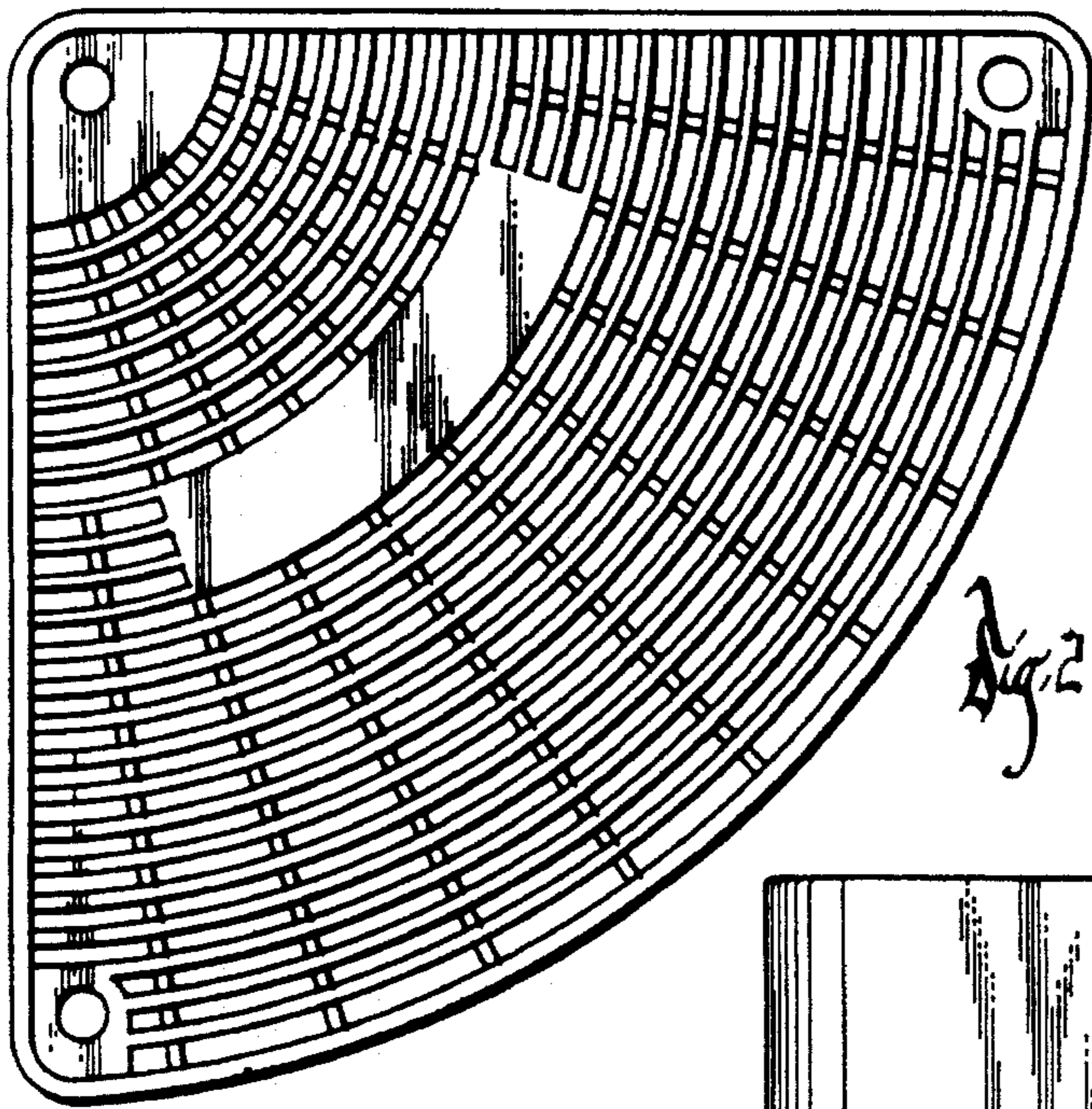


Fig. 2

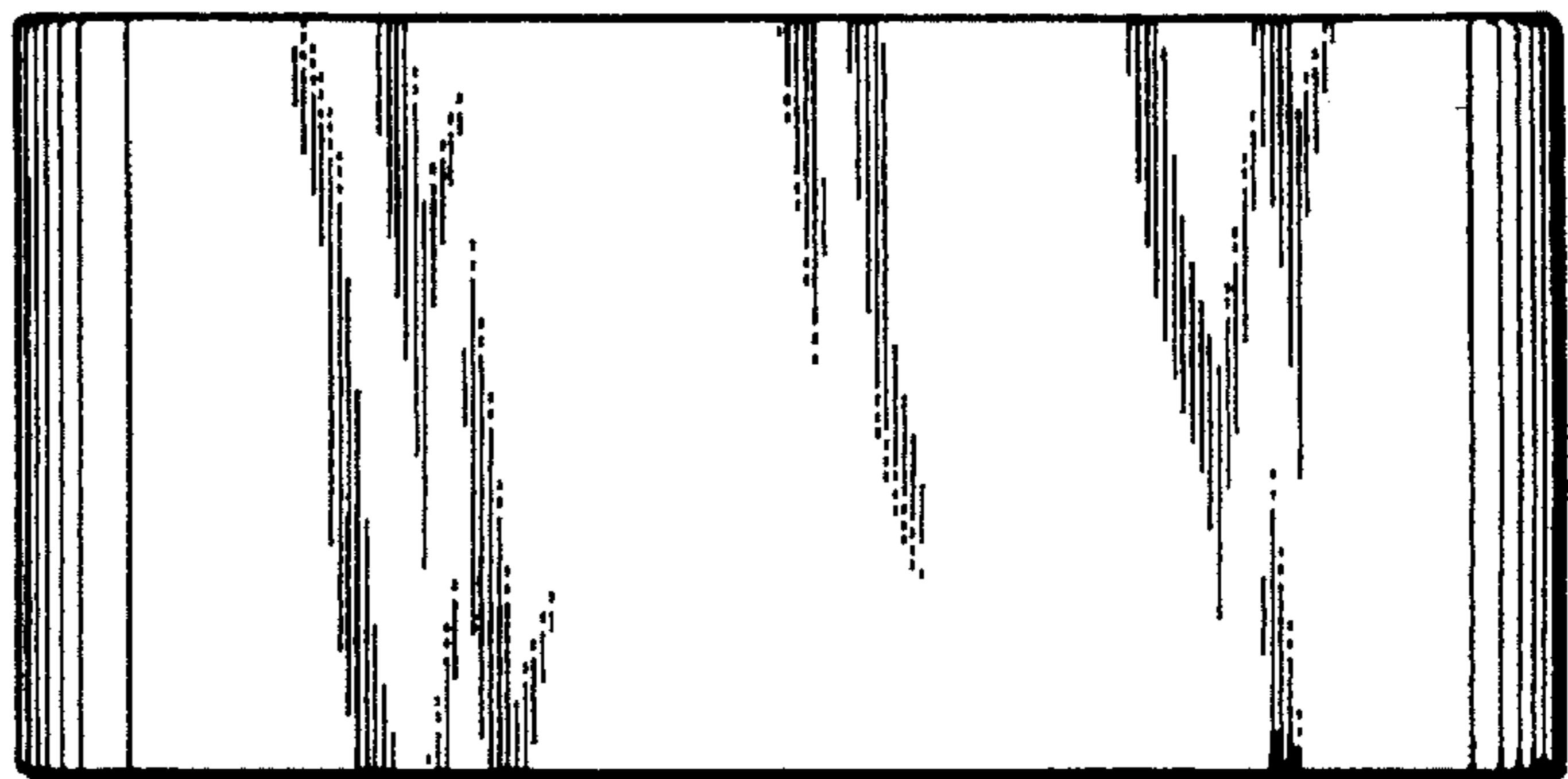


Fig. 4