



US00D366933S

United States Patent [19]

[11] Patent Number: **Des. 366,933**

Dancs

[45] Date of Patent: ****Feb. 6, 1996**

[54] **REFILL INSERT FOR A DEVICE FOR DISPENSING VOLATILE SUBSTANCES**

[75] Inventor: **Imre J. Dancs**, Greendale, Wis.

[73] Assignee: **S. C. Johnson & Son, Inc.**, Racine, Wis.

[**] Term: **14 Years**

[21] Appl. No.: **36,554**

[22] Filed: **Mar. 22, 1995**

[52] U.S. Cl. **D23/366**

[58] Field of Search D23/355, 366, D23/367, 369; 261/30; 239/50-60; 422/123

[56] **References Cited**

U.S. PATENT DOCUMENTS

D. 328,784	8/1992	Ragonesi	D23/366
5,234,162	8/1993	Sullivan	239/56
5,422,078	6/1995	Colon	239/54 X

Primary Examiner—Antoine Duval Davis

[57] **CLAIM**

The ornamental design for a refill insert for a device for dispensing volatile substances, as shown and described.

DESCRIPTION

FIG. 1 is a front perspective view from above and to one side

of a refill insert for a device for dispensing volatile substances showing the new design;

FIG. 2 is a front perspective view from below and to one side of the refill insert for a device for dispensing volatile substances of FIG. 1;

FIG. 3 is a plan view from the top of the refill insert for a device for dispensing volatile substances of FIG. 1;

FIG. 4 is a right side elevational view of the refill insert for a device for dispensing volatile substances of FIG. 1, the other side being a mirror image thereof;

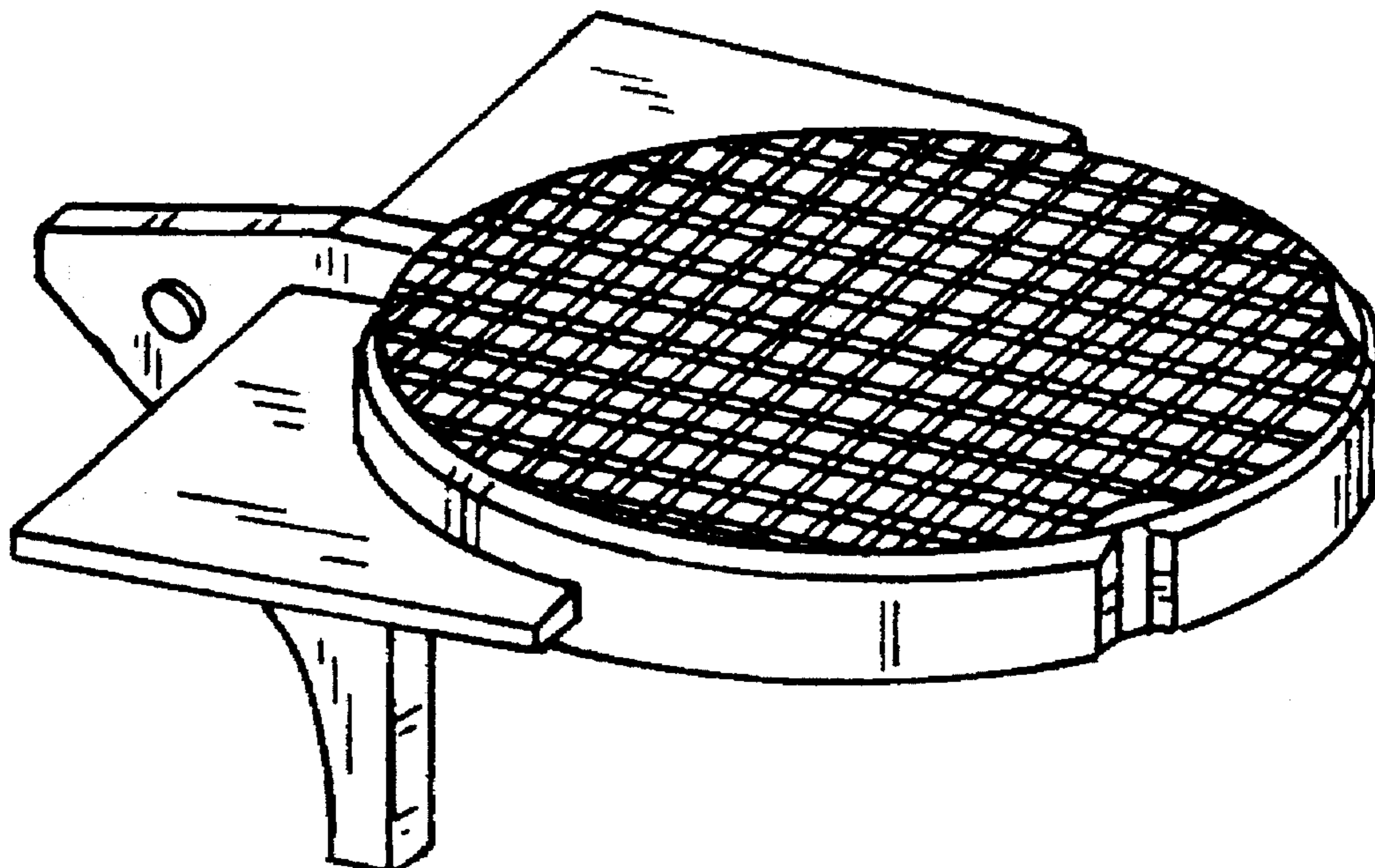
FIG. 5 is a front elevational view of the refill insert for a device for dispensing volatile substances of FIG. 1;

FIG. 6 is a back elevational view of the refill insert for a device for dispensing volatile substances of FIG. 1;

FIG. 7 is a plan view from the bottom of the refill insert for a device for dispensing volatile substances of FIG. 1; and,

FIG. 8 is a front perspective view corresponding to that of FIG. 1 of a refill insert for a device for dispensing volatile substances showing an alternative embodiment of the design, the sole difference being the addition of a relatively deep, frontwardly opening, central notch in the disk-shaped structure of the refill insert and the omission of two, shallower notches in the rim of the disk.

1 Claim, 4 Drawing Sheets



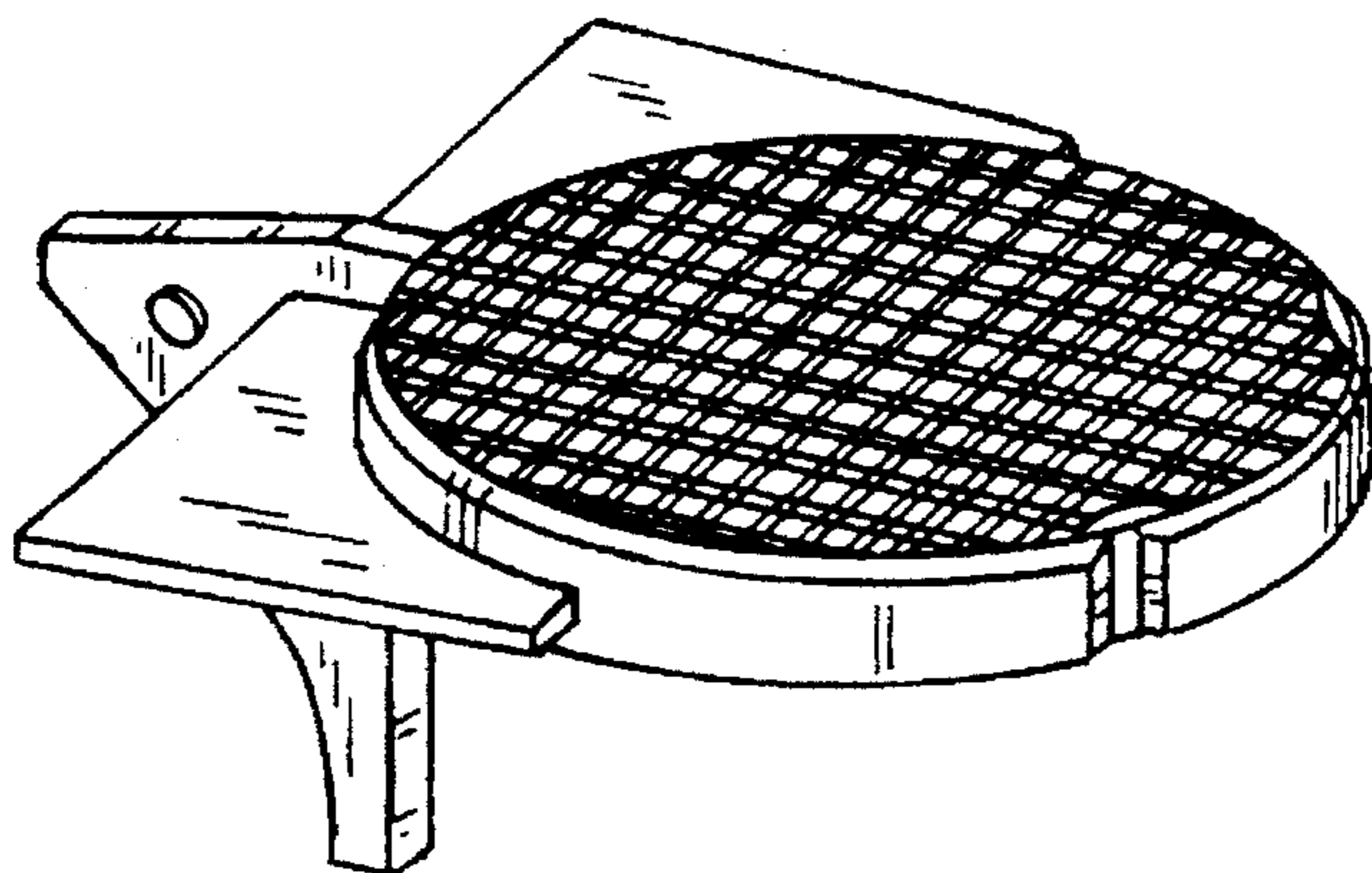


FIG. 1

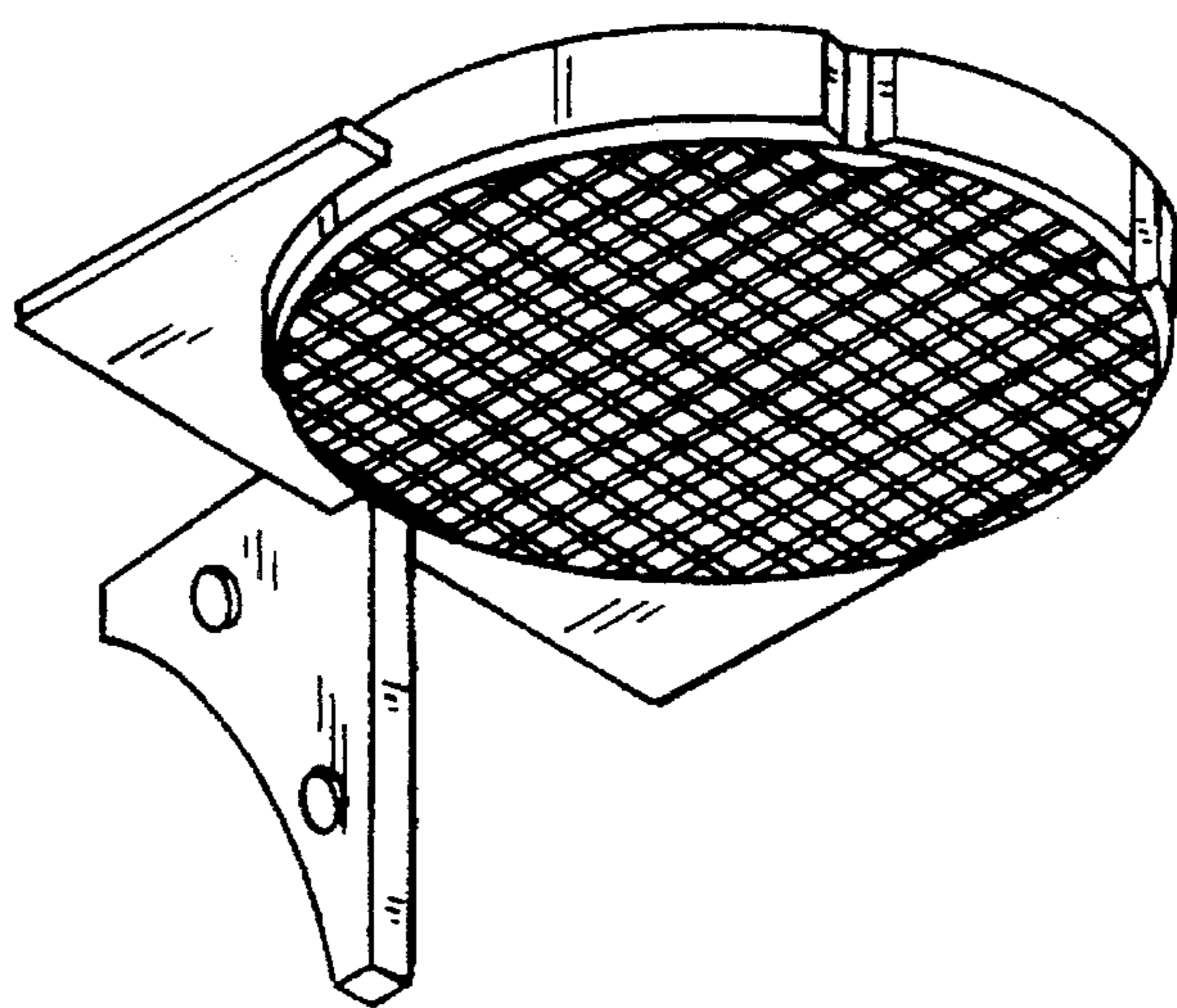


FIG. 2

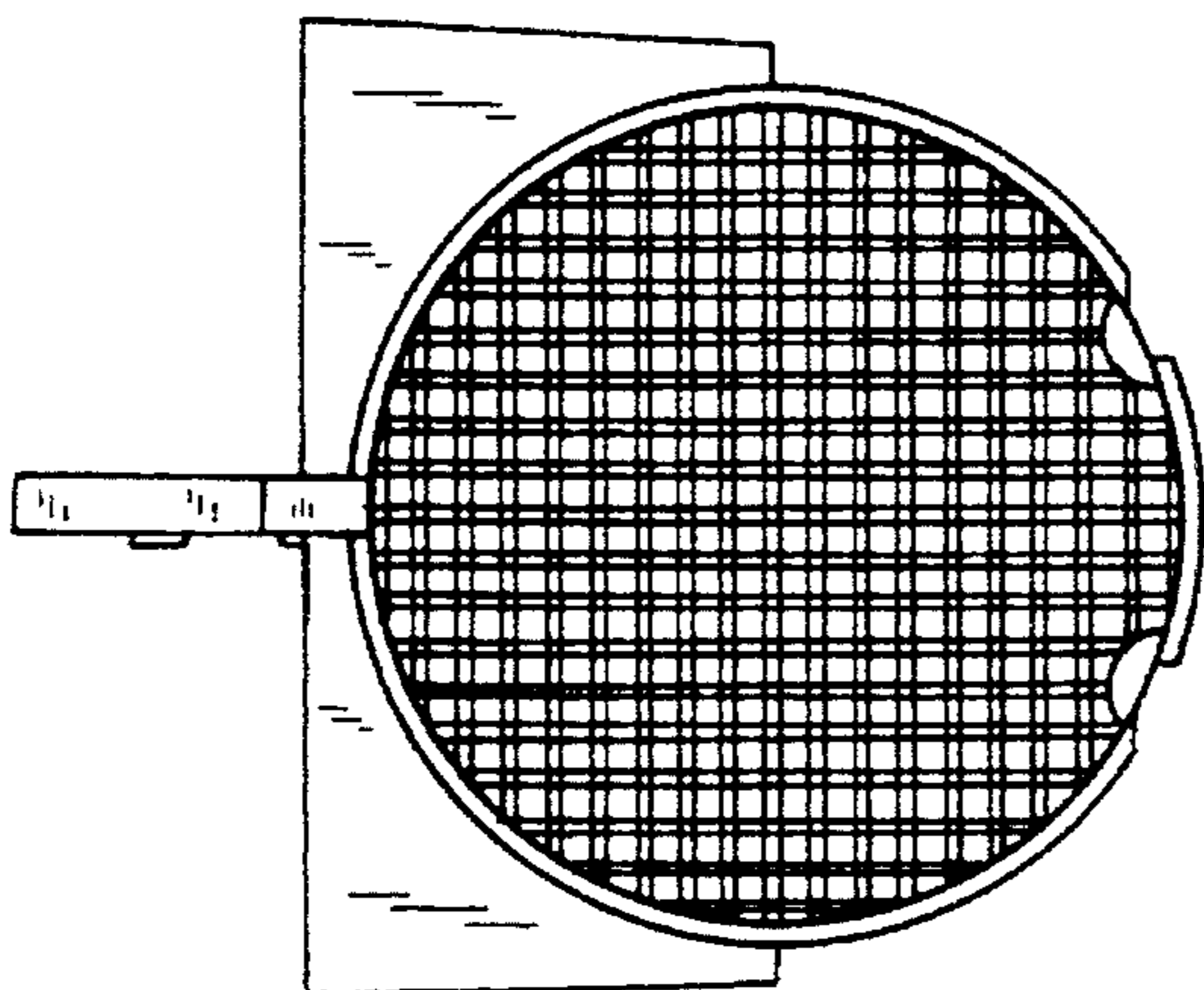


FIG. 3

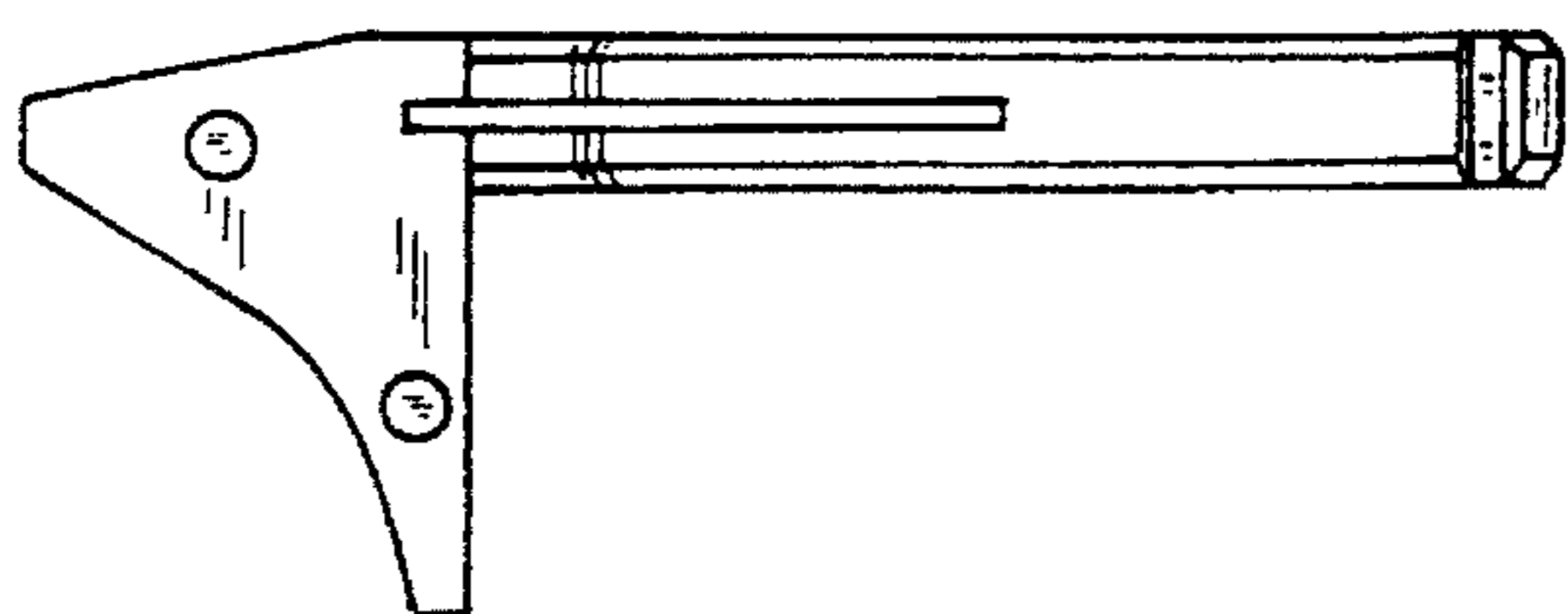


FIG. 4

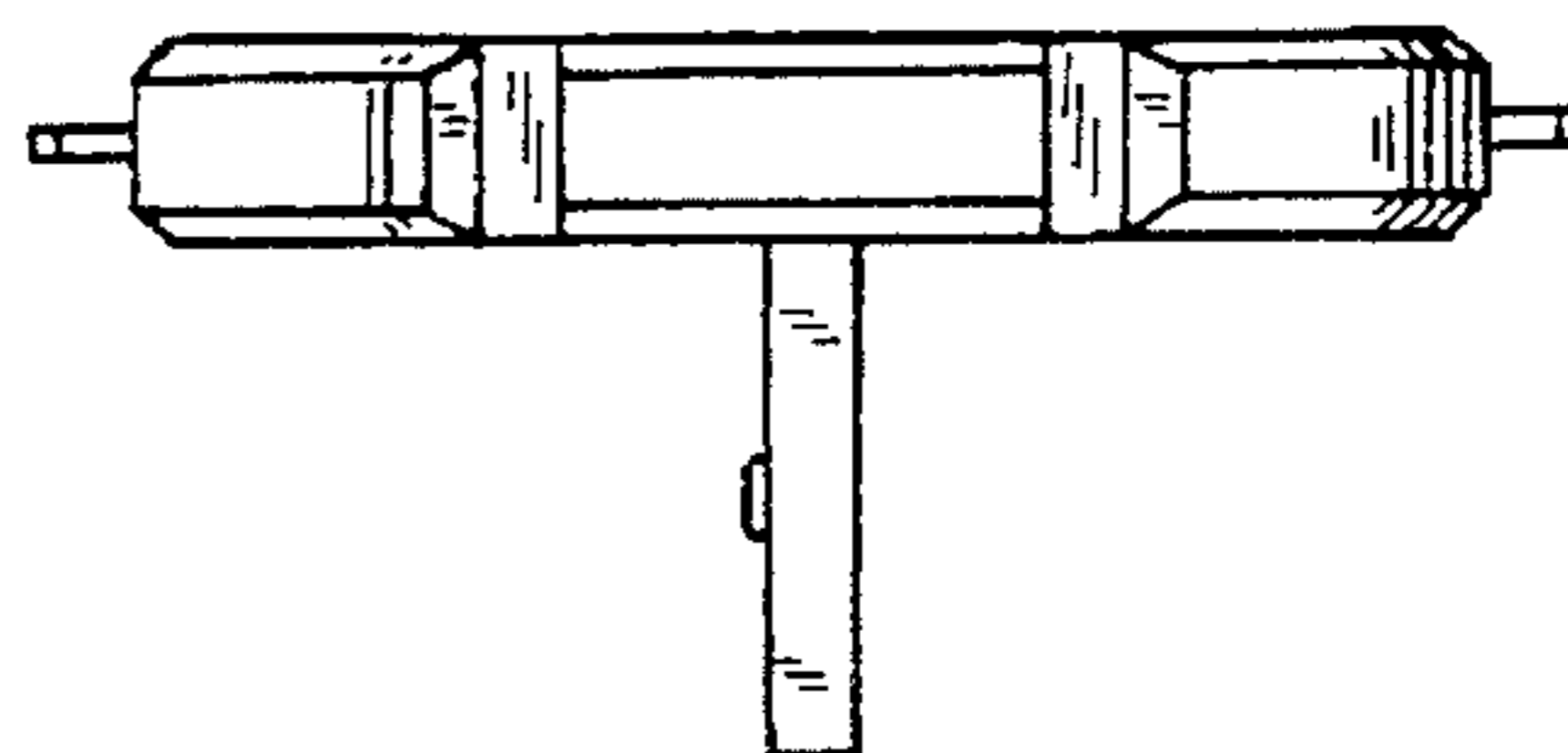


FIG. 5

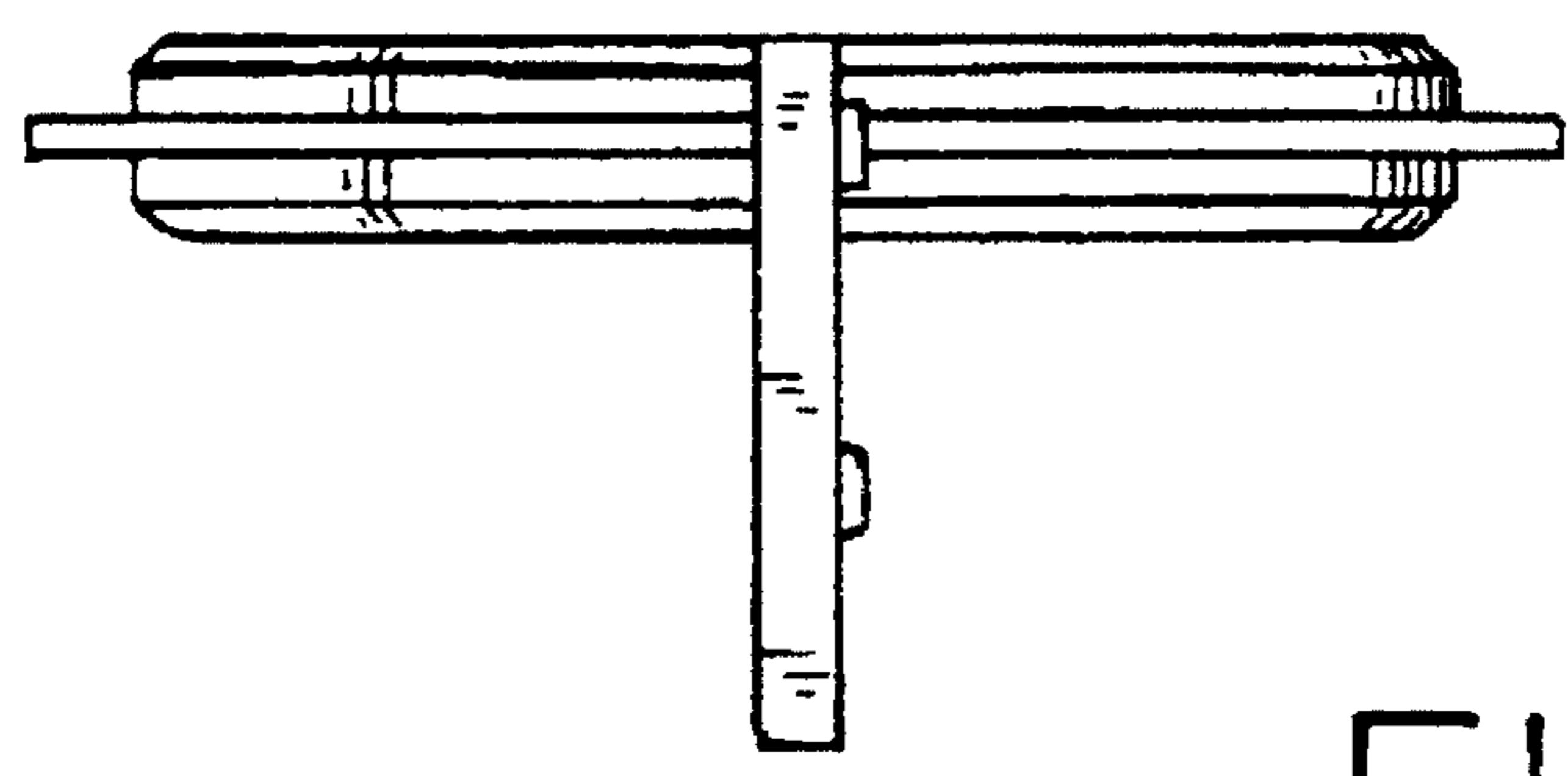


FIG. 6

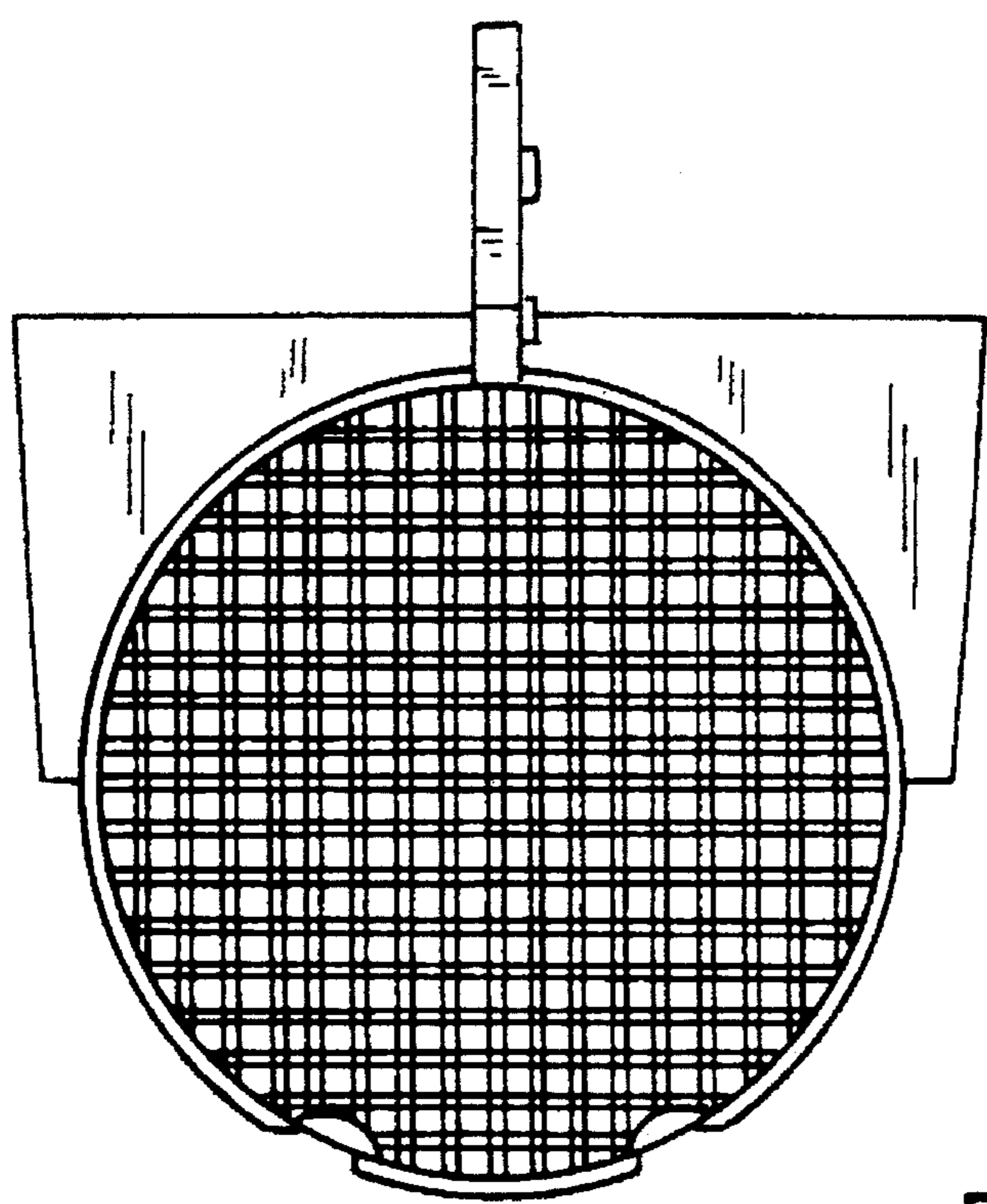


FIG. 7

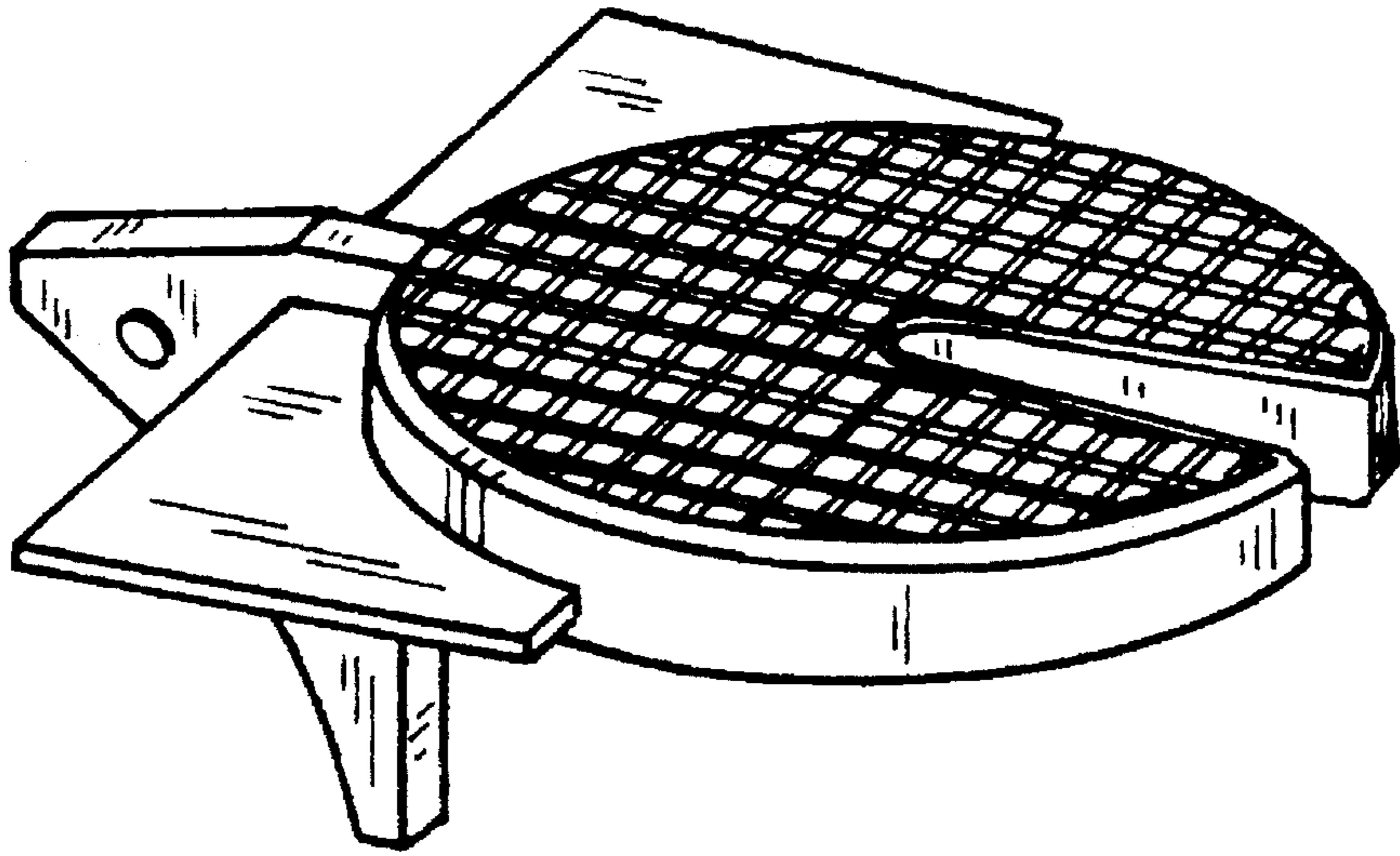


FIG. 8