



US00D366929S

# United States Patent [19]

[11] Patent Number: **Des. 366,929**

Allen et al.

[45] Date of Patent: **\*\*Feb. 6, 1996**

[54] FLUSH VALVE

2,148,968 2/1939 Shanley ..... 251/40 X

3,201,155 8/1965 Billeter et al. .... 251/40 X

5,062,453 11/1991 Saadi et al. .... 4/304 X

[75] Inventors: **Charles S. Allen**, Kenilworth; **Jerry P. Gronwick**, Park Ridge; **John R. Wilson**, Naperville; **Martin E. Marcichow**, Gurnee, all of Ill.

*Primary Examiner*—Stella Reid

*Assistant Examiner*—E. Watterson

*Attorney, Agent, or Firm*—Dorn, McEachran, Jambor & Keating

[73] Assignee: **Sloan Valve Company**, Franklin Park, Ill.

[\*\*] Term: **14 Years**

## [57] CLAIM

[21] Appl. No.: **30,219**

The ornamental design for a flush valve, as shown and described.

[22] Filed: **Oct. 24, 1994**

## DESCRIPTION

### Related U.S. Application Data

[63] Continuation-in-part of Ser. No. 19,586, Mar. 7, 1994, abandoned, and a continuation-in-part of Ser. No. 16,734, Dec. 23, 1993, abandoned.

[52] U.S. Cl. .... **D23/236**

[58] Field of Search ..... D23/233-237, D23/244-249; 4/304, 305, DIG. 3; 137/549; 251/38, 40, 236, 237, 238, 243

FIG. 1 is a side view of a flush valve showing our new design;

FIG. 2 is a top view of our new flush valve design;

FIG. 3 is a front view of our new flush valve design;

FIG. 4 is a rear view of our new flush valve design;

FIG. 5 is a bottom view of our new flush valve design;

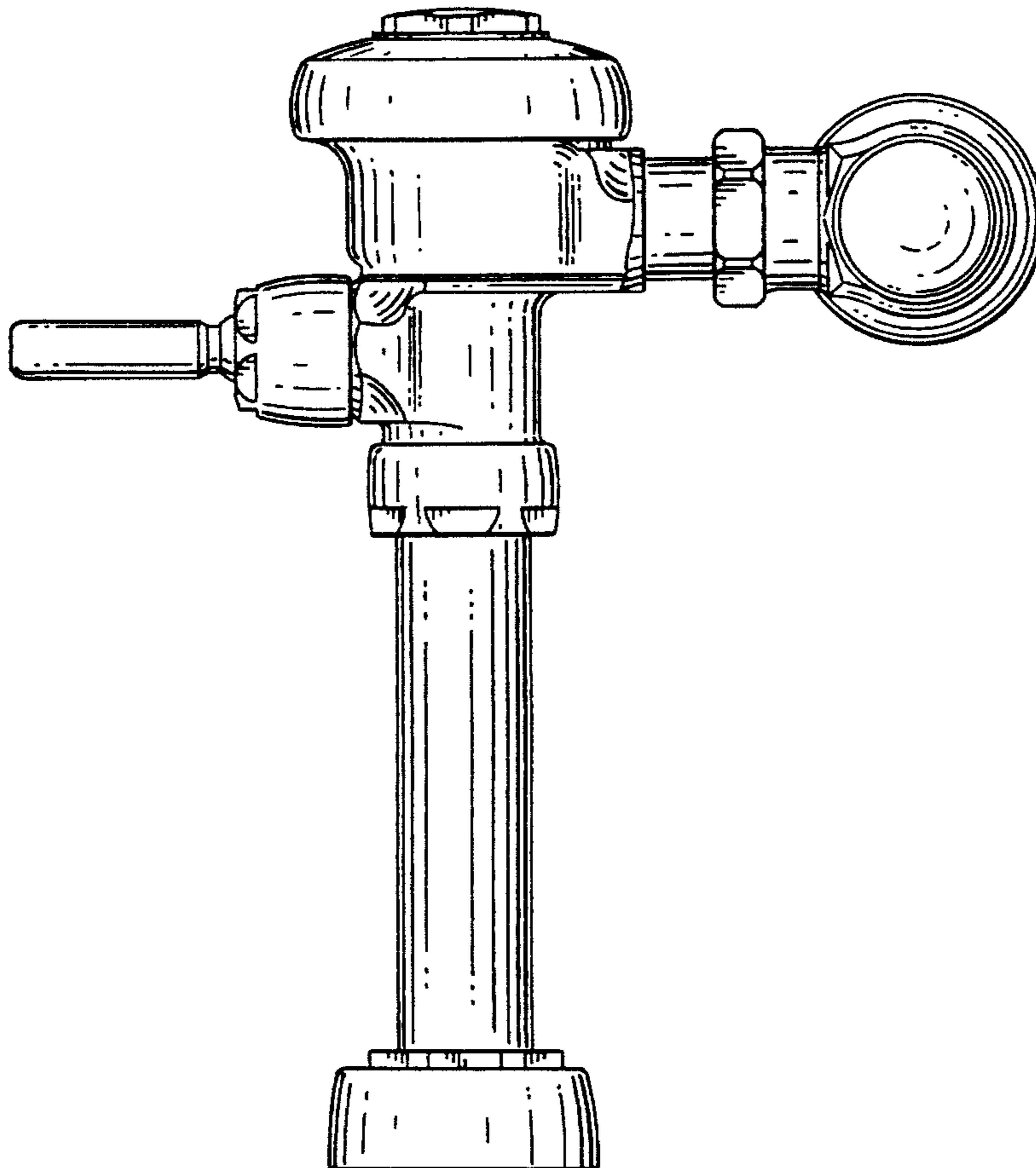
FIG. 6 is a side view, from the right-hand side of FIG. 3, showing our new flush valve design.

### [56] References Cited

#### U.S. PATENT DOCUMENTS

D. 218,035 7/1970 Sloan et al. .... D23/245

**1 Claim, 3 Drawing Sheets**



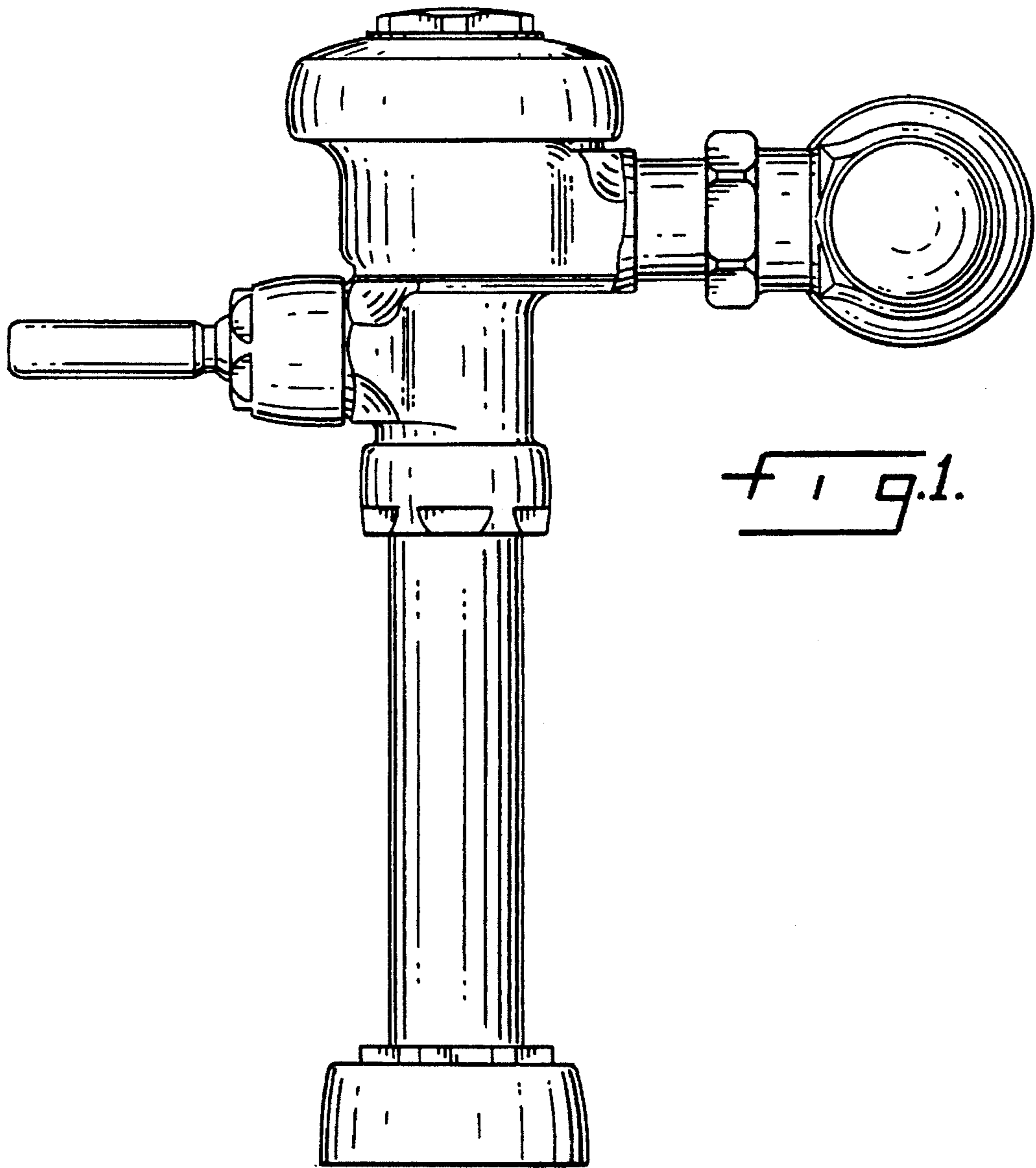


FIG. 1.

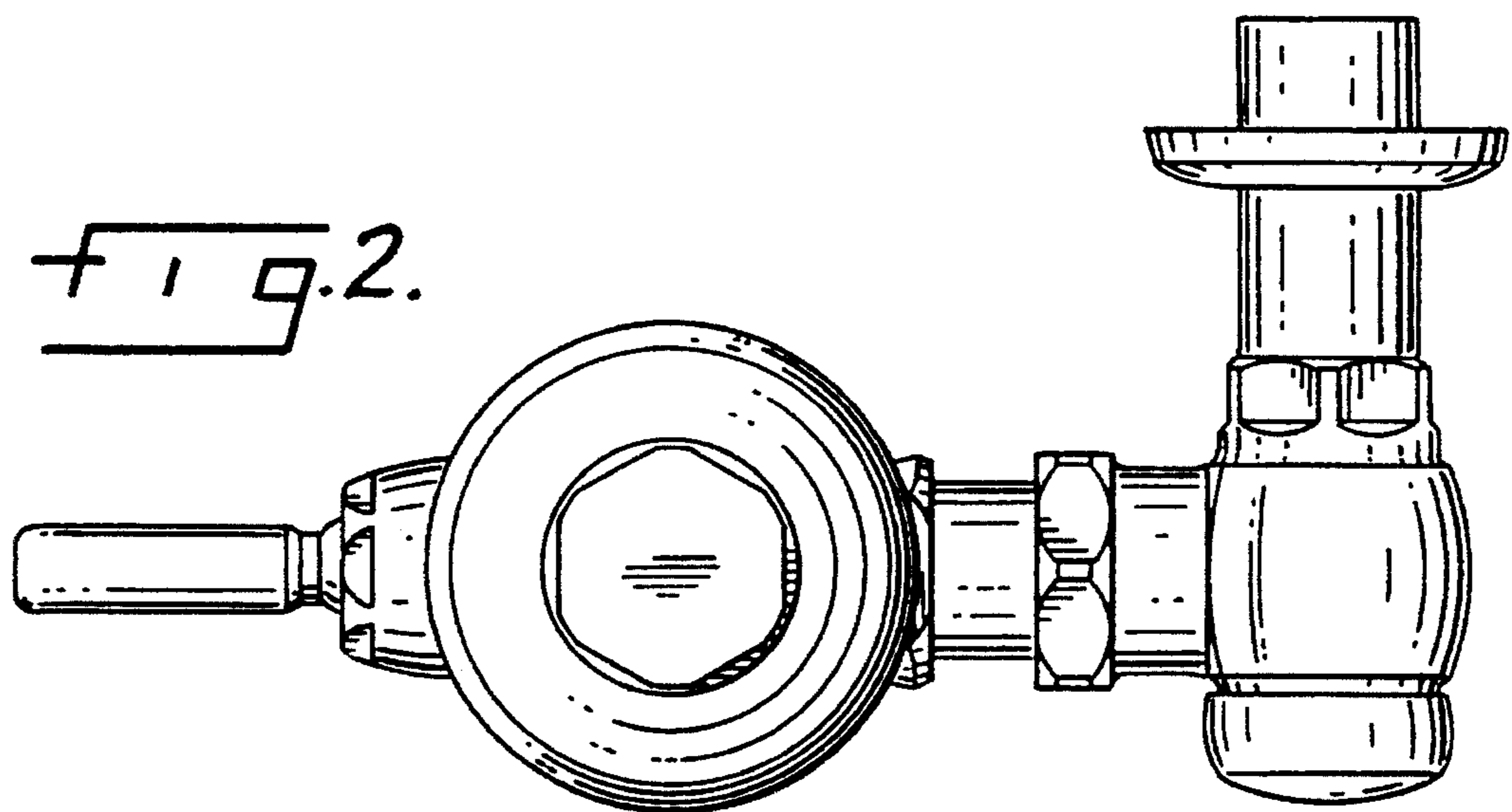


FIG. 2.

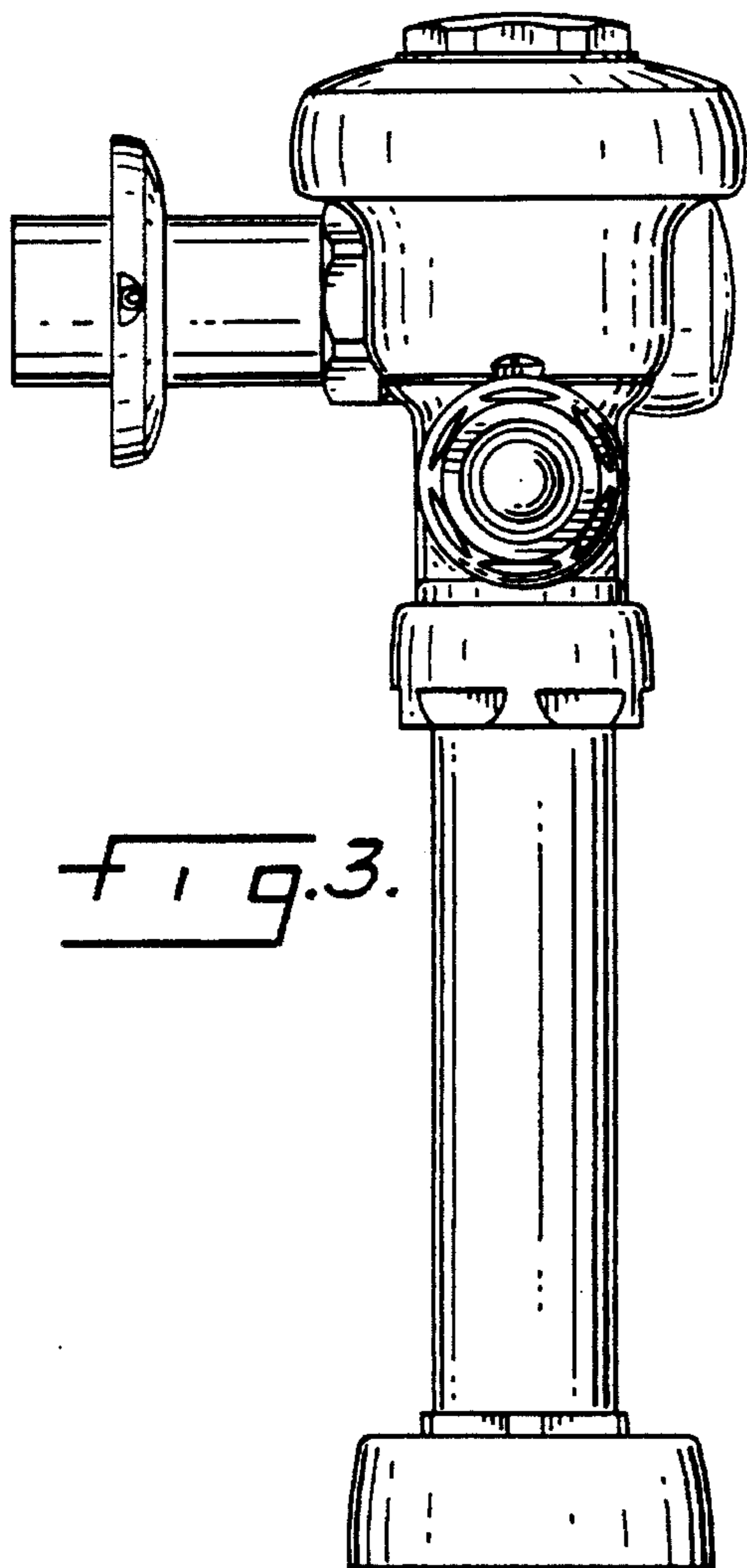


Fig. 3.

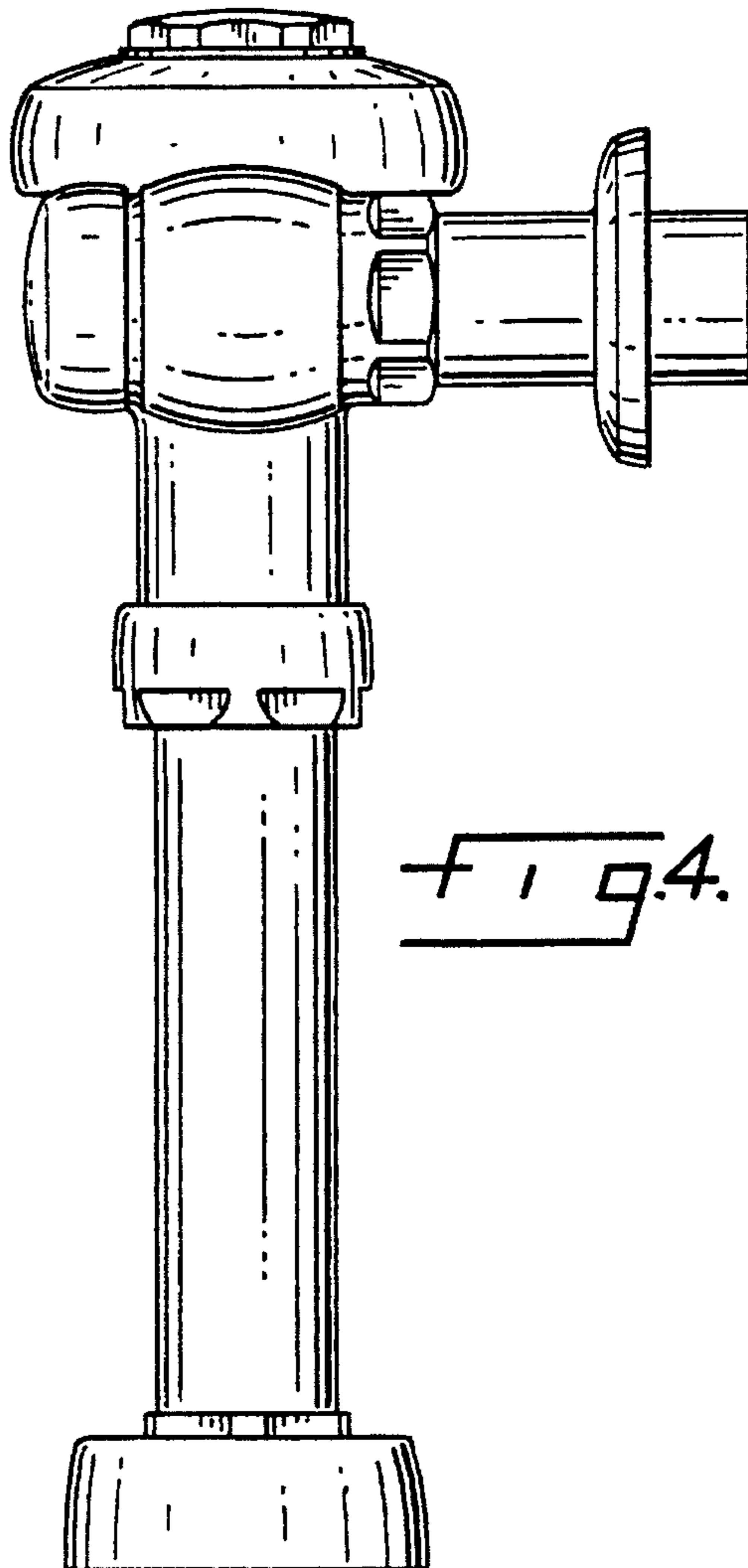


Fig. 4.

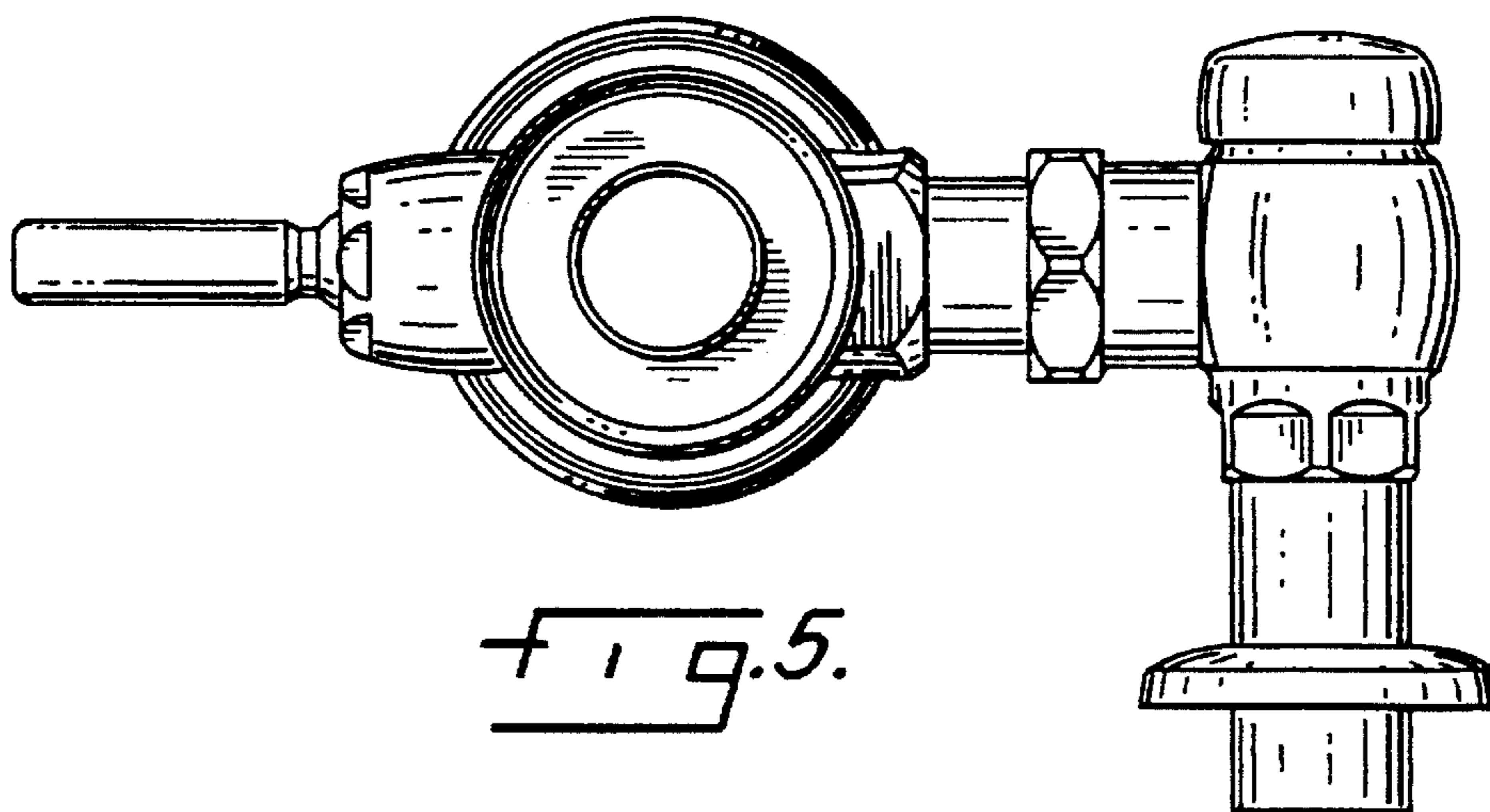


Fig. 5.

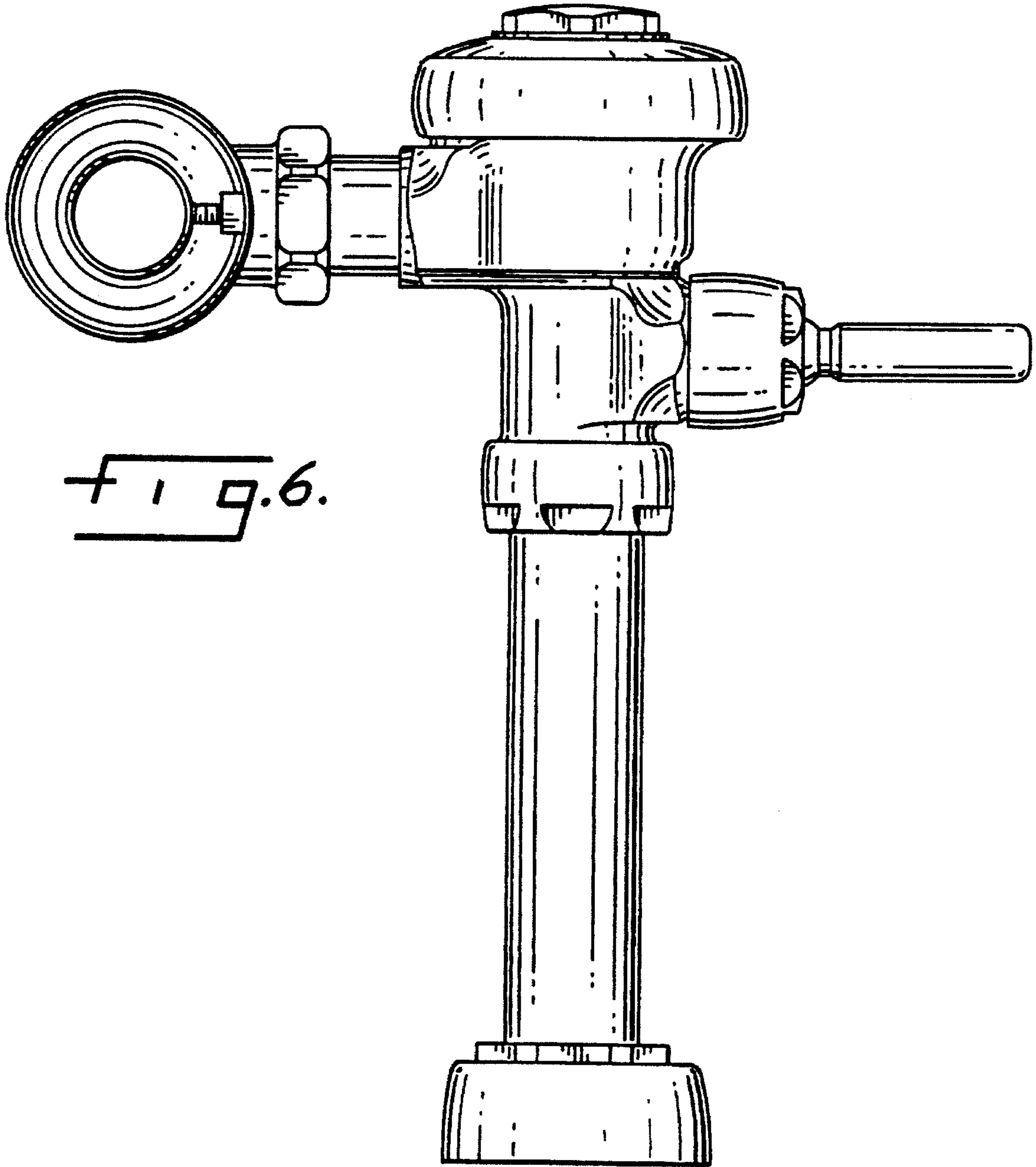


Fig. 6.