



US00D366928S

United States Patent [19] Itafuji

[11] **Patent Number:** **Des. 366,928**
[45] **Date of Patent:** ****Feb. 6, 1996**

[54] **AIR OPERATED VALVE**
[75] Inventor: **Hiroshi Itafuji**, Kasugai, Japan
[73] Assignee: **CKD Kabushiki Kaisha**, Komaki, Japan
[**] Term: **14 Years**
[21] Appl. No.: **35,853**
[22] Filed: **Mar. 8, 1995**
[30] **Foreign Application Priority Data**
Sep. 8, 1994 [JP] Japan 6-27551
[52] **U.S. Cl.** **D23/233**
[58] **Field of Search** D23/233-237,
D23/244-249; 137/560, 596.17, 625.6,
625.65, 627.5; 251/60, 63.4, 63.6, 63.5

D. 331,449 12/1992 Adishian et al. D23/233
3,712,340 1/1973 Deem 137/627.5
3,788,603 1/1974 Snider 137/560 X
4,926,905 5/1990 Helfenstein 137/596.17 X

Primary Examiner—Stella Reid
Assistant Examiner—Eric Watterson
Attorney, Agent, or Firm—Kuhn and Muller

[57] CLAIM

The ornamental design for the air operated valve, as shown and described.

DESCRIPTION

FIG. 1 is a perspective view of the air operated valve;
FIG. 2 is a top plan view thereof;
FIG. 3 is a front elevational view thereof;
FIG. 4 is a left side elevational view thereof;
FIG. 5 is a right side elevational view thereof;
FIG. 6 is a rear view thereof; and,
FIG. 7 is a bottom view thereof.

[56] **References Cited**
U.S. PATENT DOCUMENTS
D. 223,095 3/1972 Allen D23/233

1 Claim, 3 Drawing Sheets

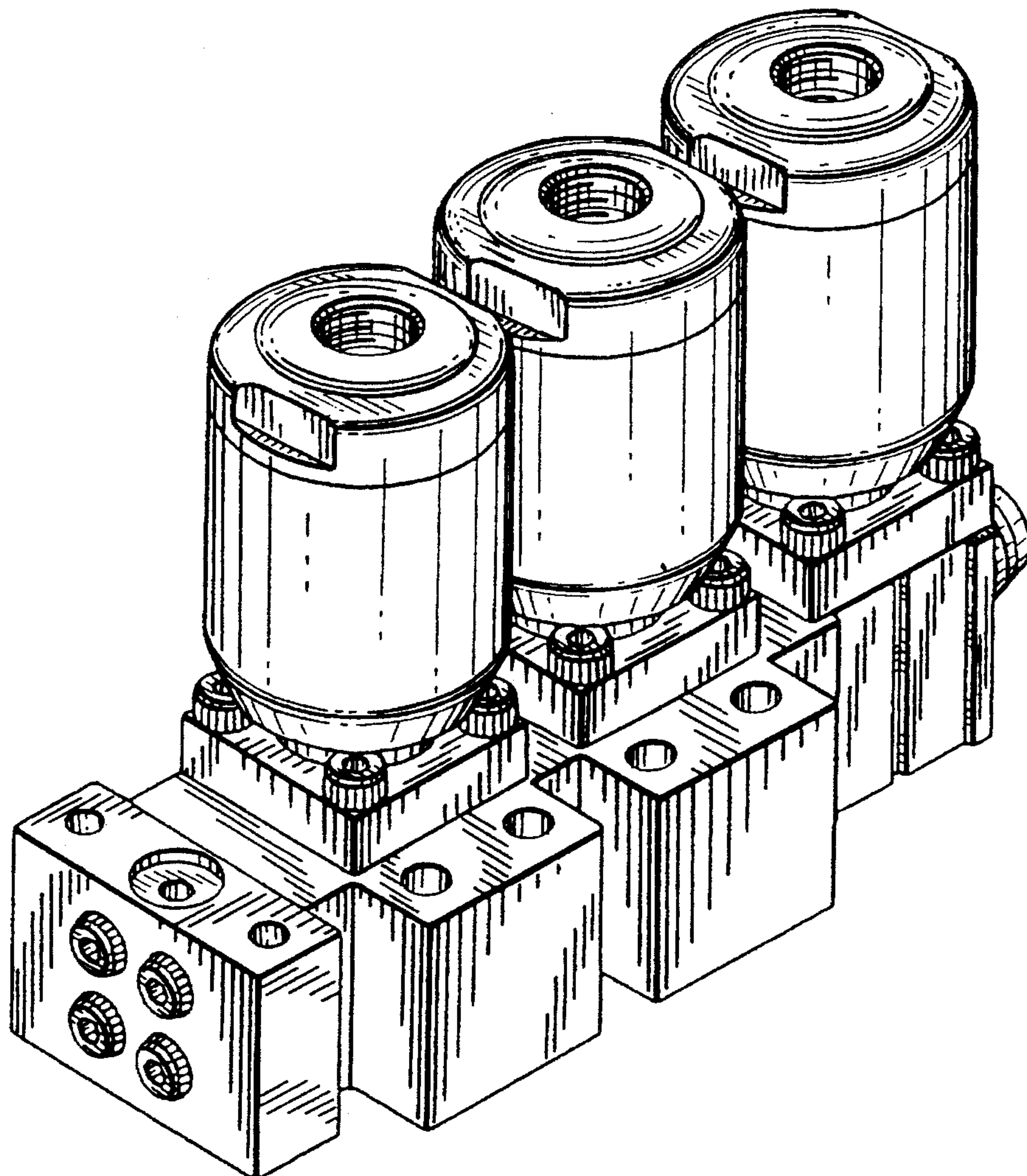
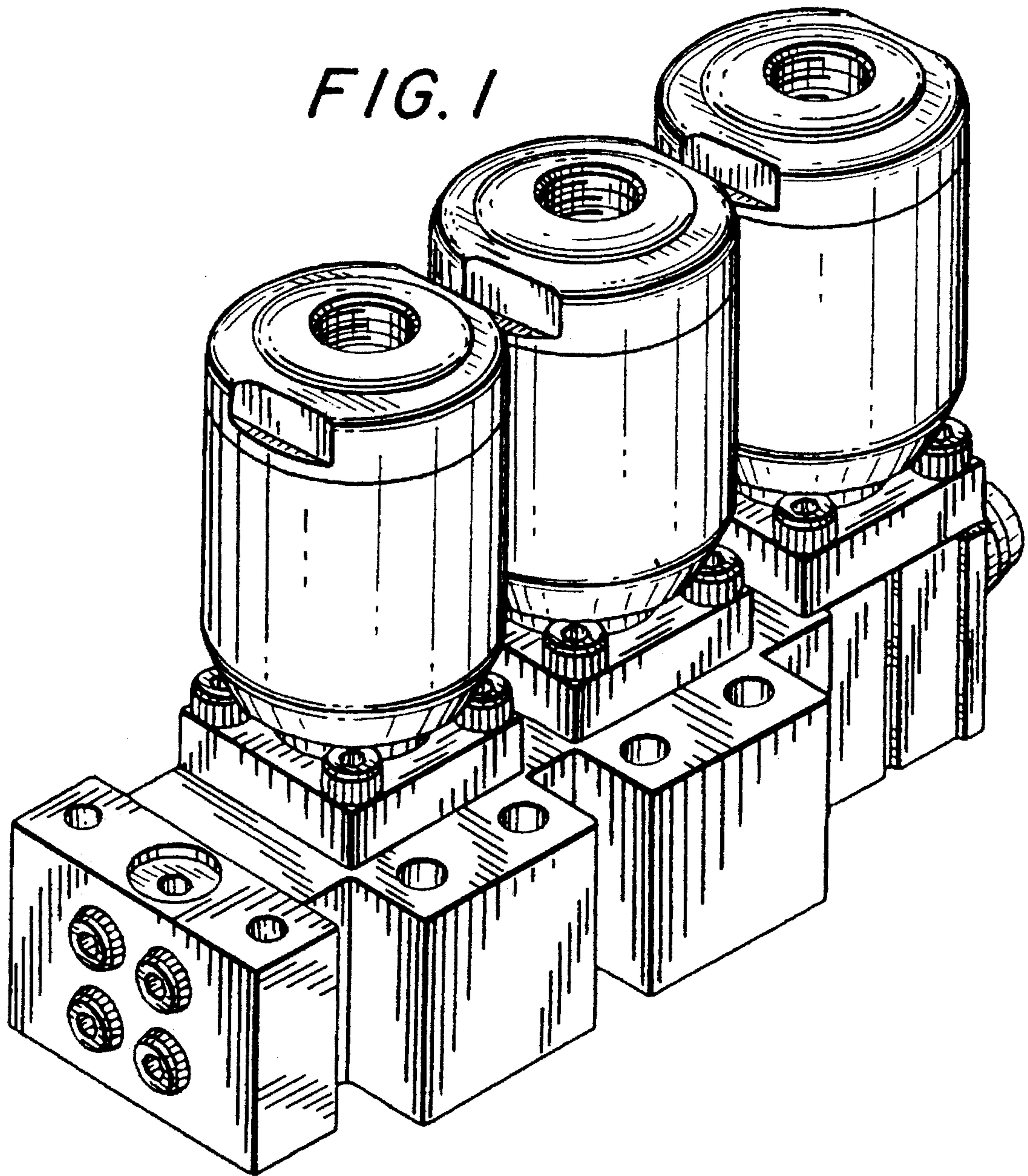


FIG. 1



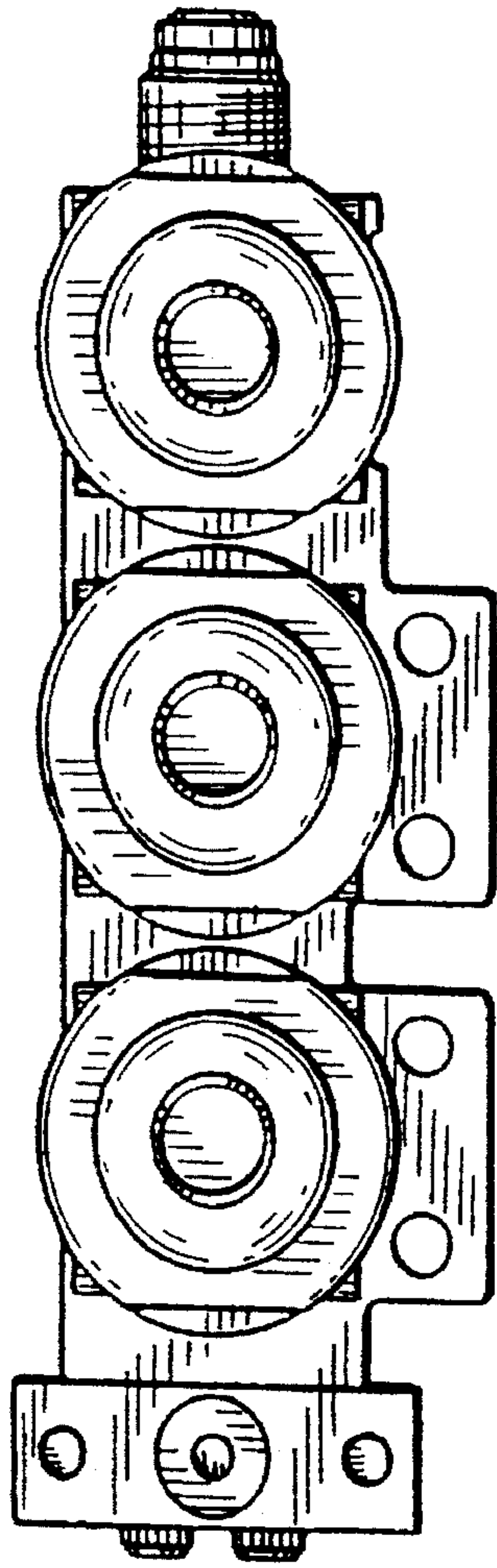


FIG. 2

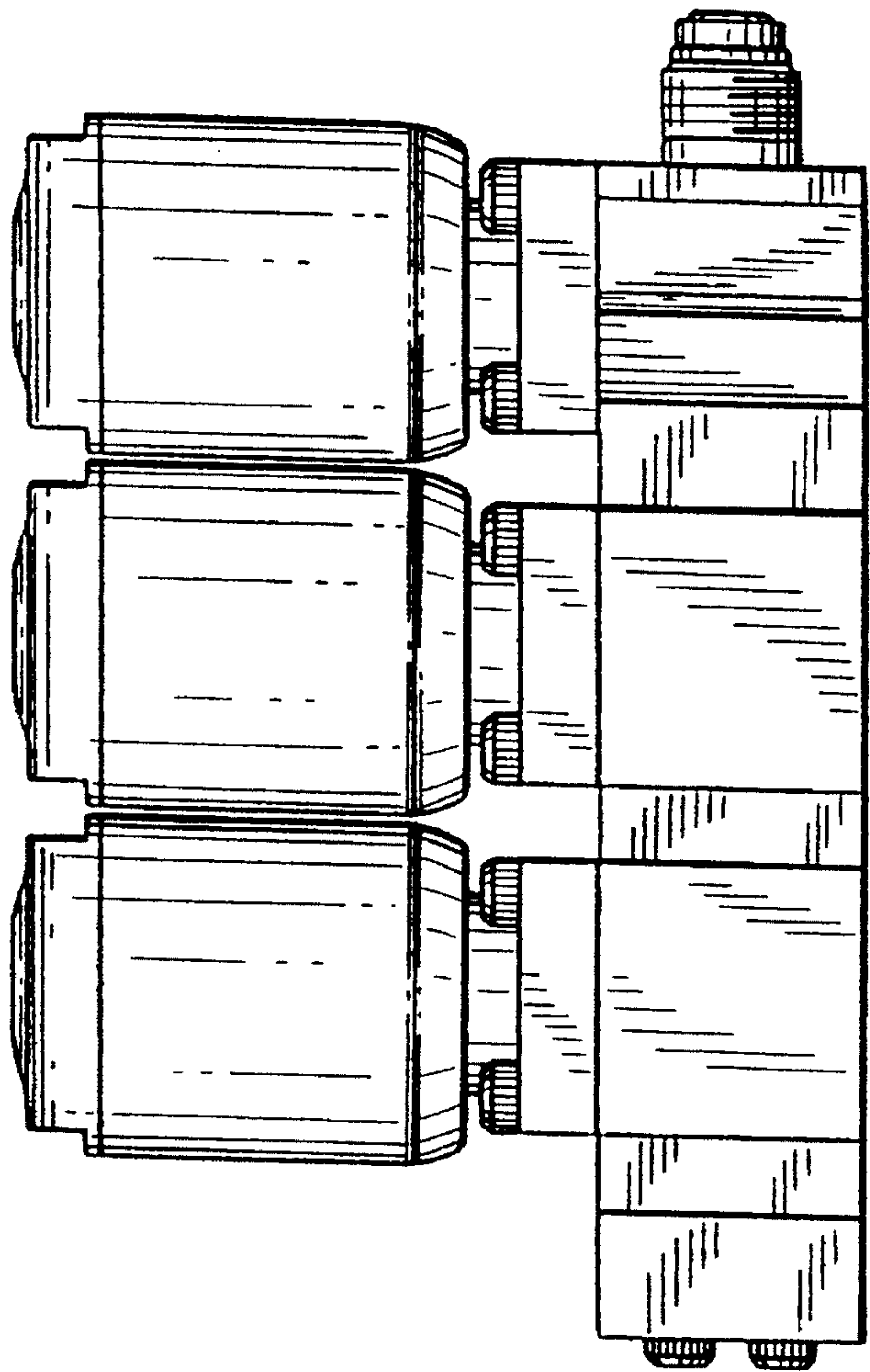


FIG. 3

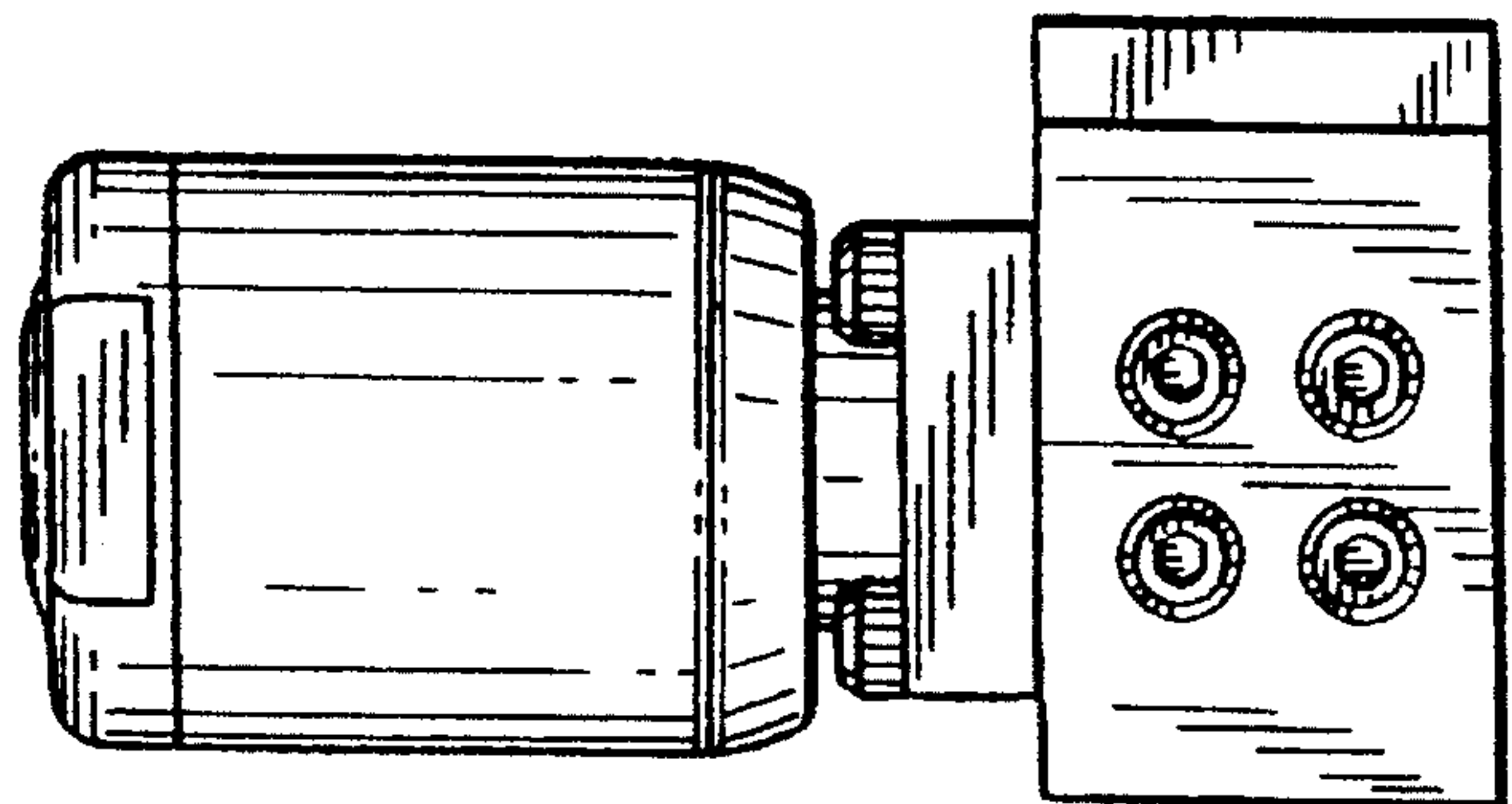


FIG. 4

FIG. 5

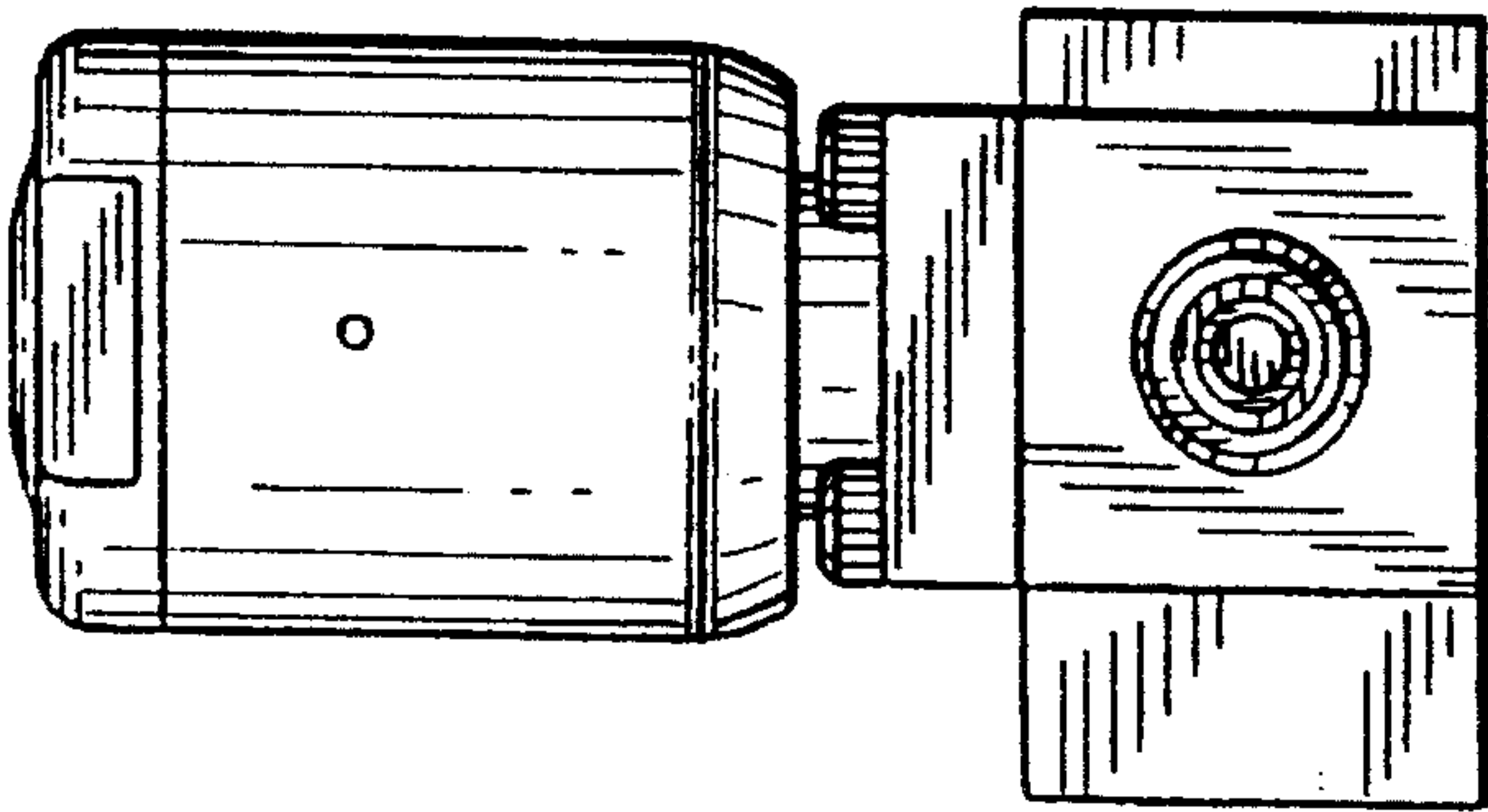


FIG. 6

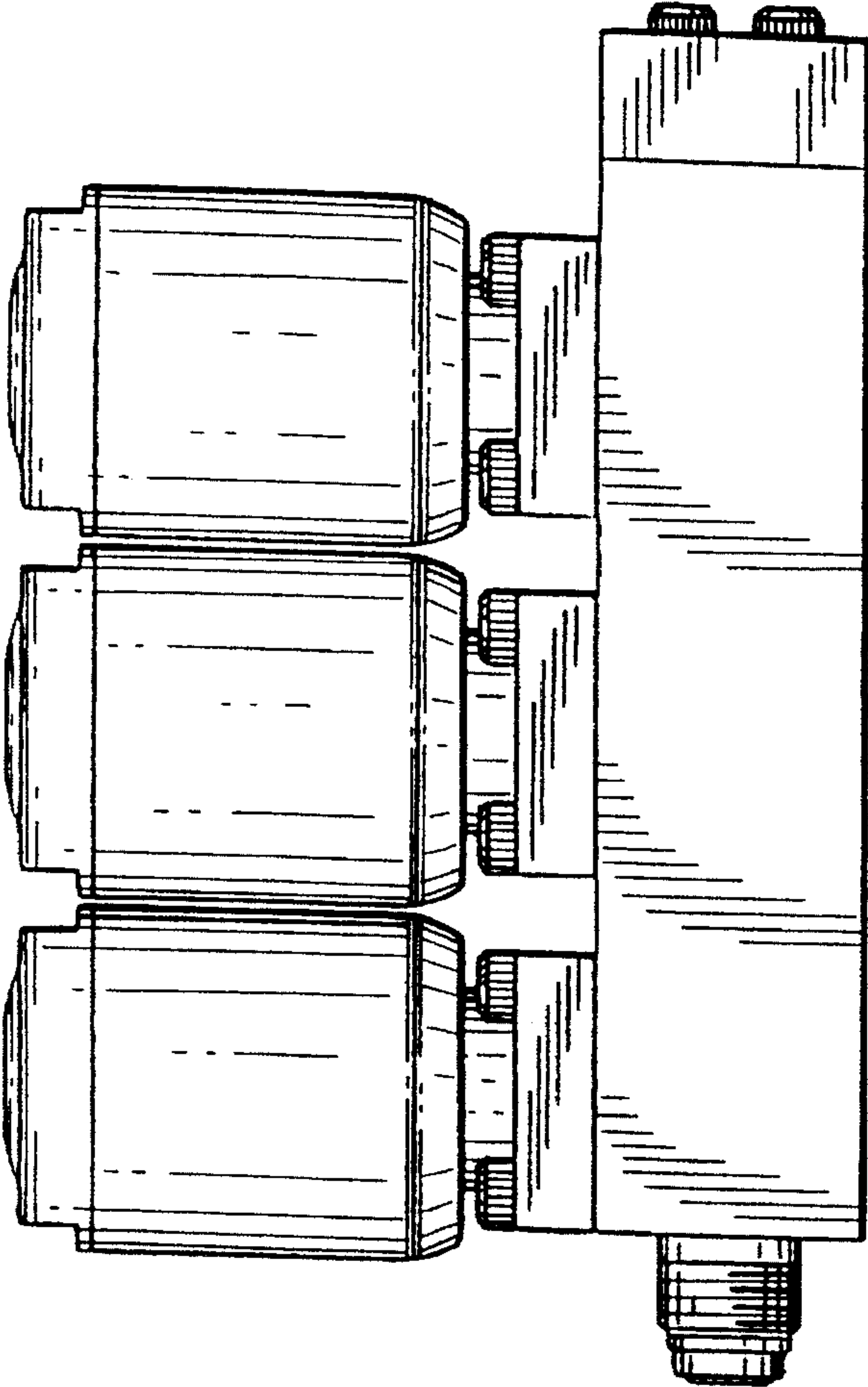


FIG. 7

