



US00D366927S

United States Patent [19]
Hawkins

[11] **Patent Number: Des. 366,927**
[45] **Date of Patent: **Feb. 6, 1996**

[54] **DIVERTER VALVE**
[75] Inventor: **Larry W. Hawkins**, Aurora, Colo.
[73] Assignee: **Steam Way International, Inc.**,
Denver, Colo.
[**] Term: **14 Years**

5,273,075 12/1993 Skaer 137/883
5,427,150 6/1995 Skaer 137/883

Primary Examiner—Stella Reid
Assistant Examiner—Eric Watterson
Attorney, Agent, or Firm—W. Scott Carson

[21] Appl. No.: **33,569**
[22] Filed: **Jan. 17, 1995**

[57] **CLAIM**
The ornamental design for a diverter valve, as shown and described.

[52] **U.S. Cl.** **D23/233**
[58] **Field of Search** **D23/233-237,**
D23/244-249; 137/883, 884; 251/329, 331,
175

DESCRIPTION

FIG. 1 is a perspective view of a diverter valve showing my new design;
FIG. 2 is a front elevational view thereof;
FIG. 3 is a left side elevational view thereof, the right side elevational view being a mirror image thereof;
FIG. 4 is a top plan view thereof;
FIG. 5 is a bottom plan view thereof; and,
FIG. 6 is a rear elevational view thereof.

[56] **References Cited**

U.S. PATENT DOCUMENTS

D. 218,032 7/1970 Mullins D23/247
D. 218,033 7/1970 Mullins D23/247
5,193,582 3/1993 Antoniello et al. 251/175

1 Claim, 3 Drawing Sheets

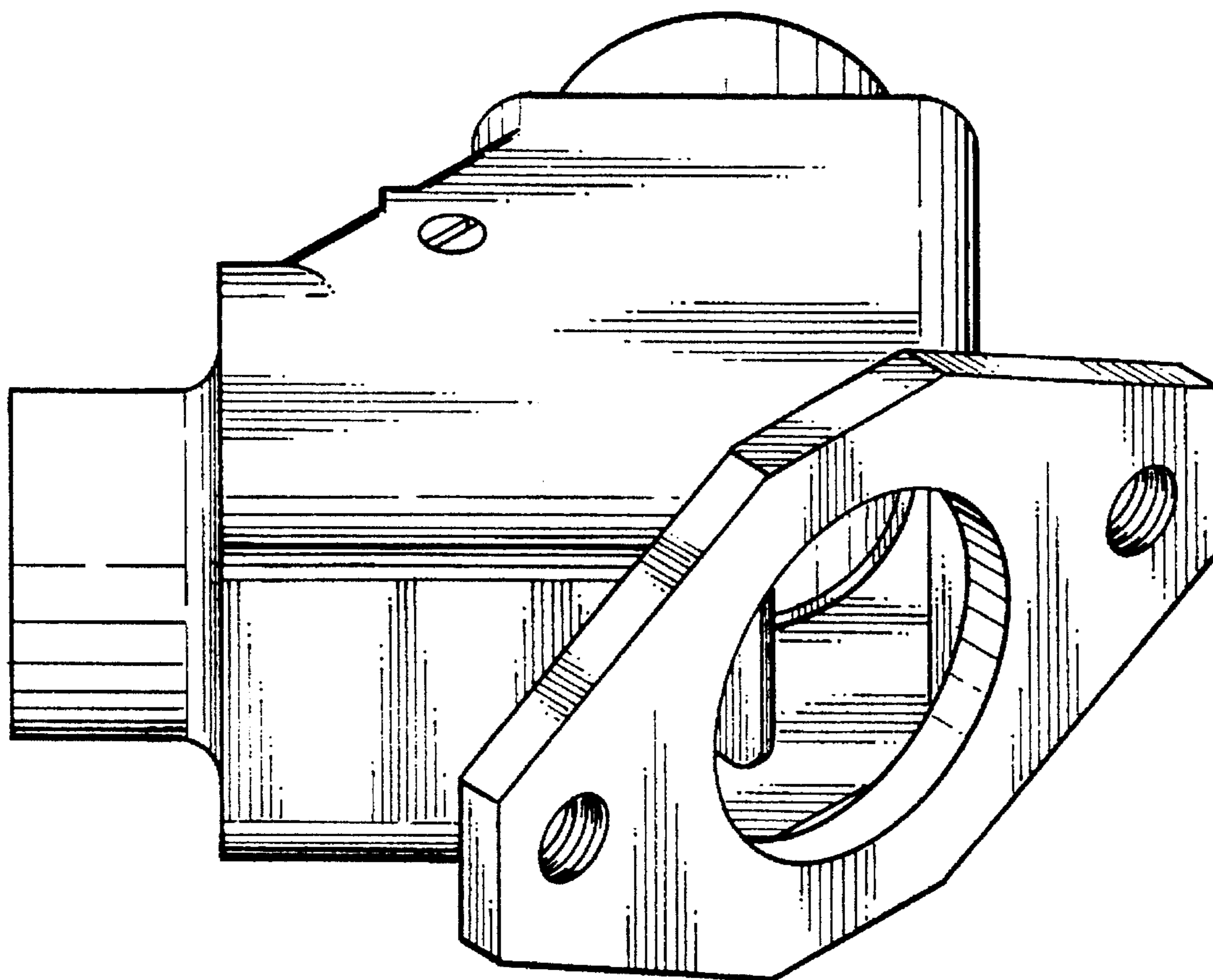


Fig. 1

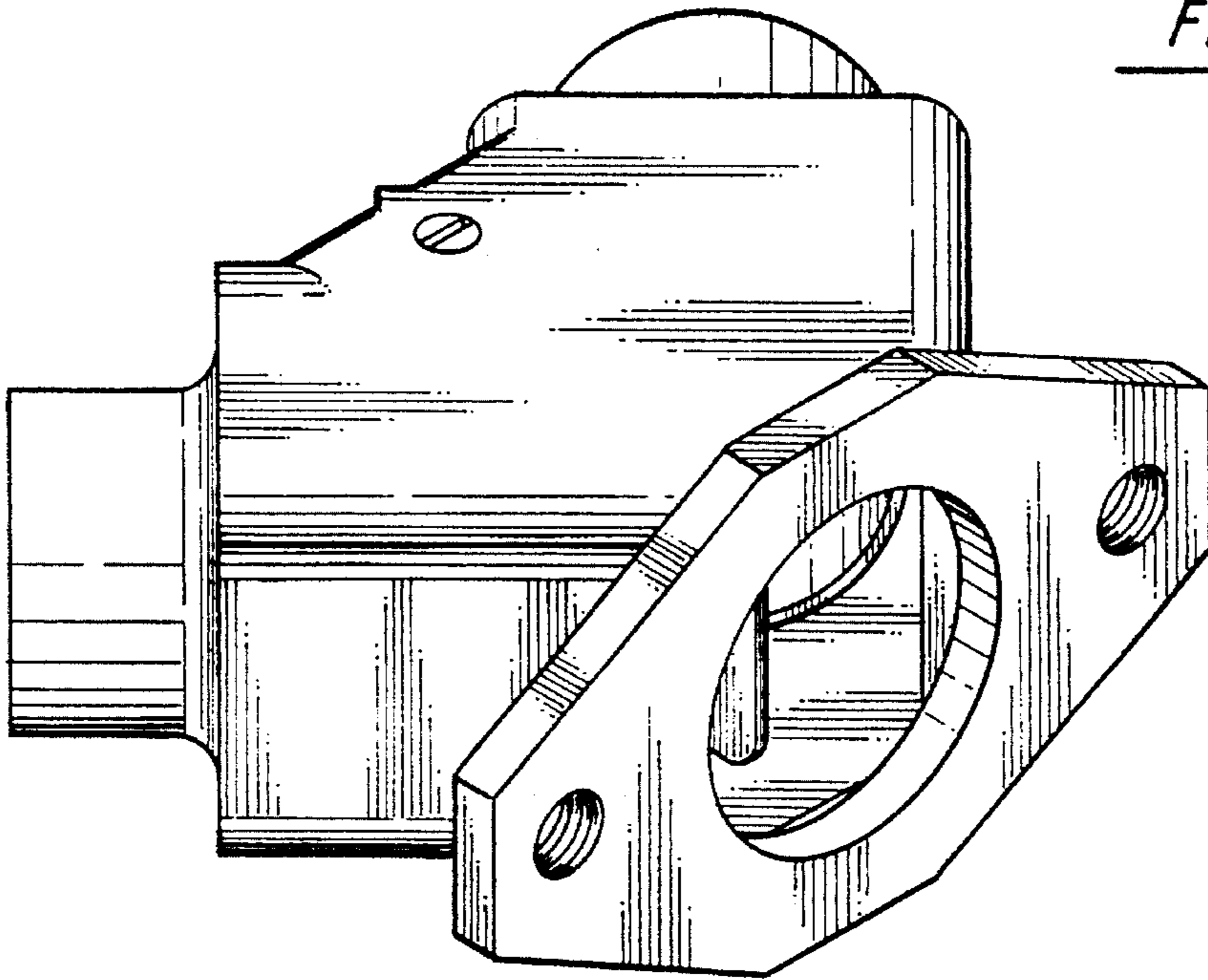
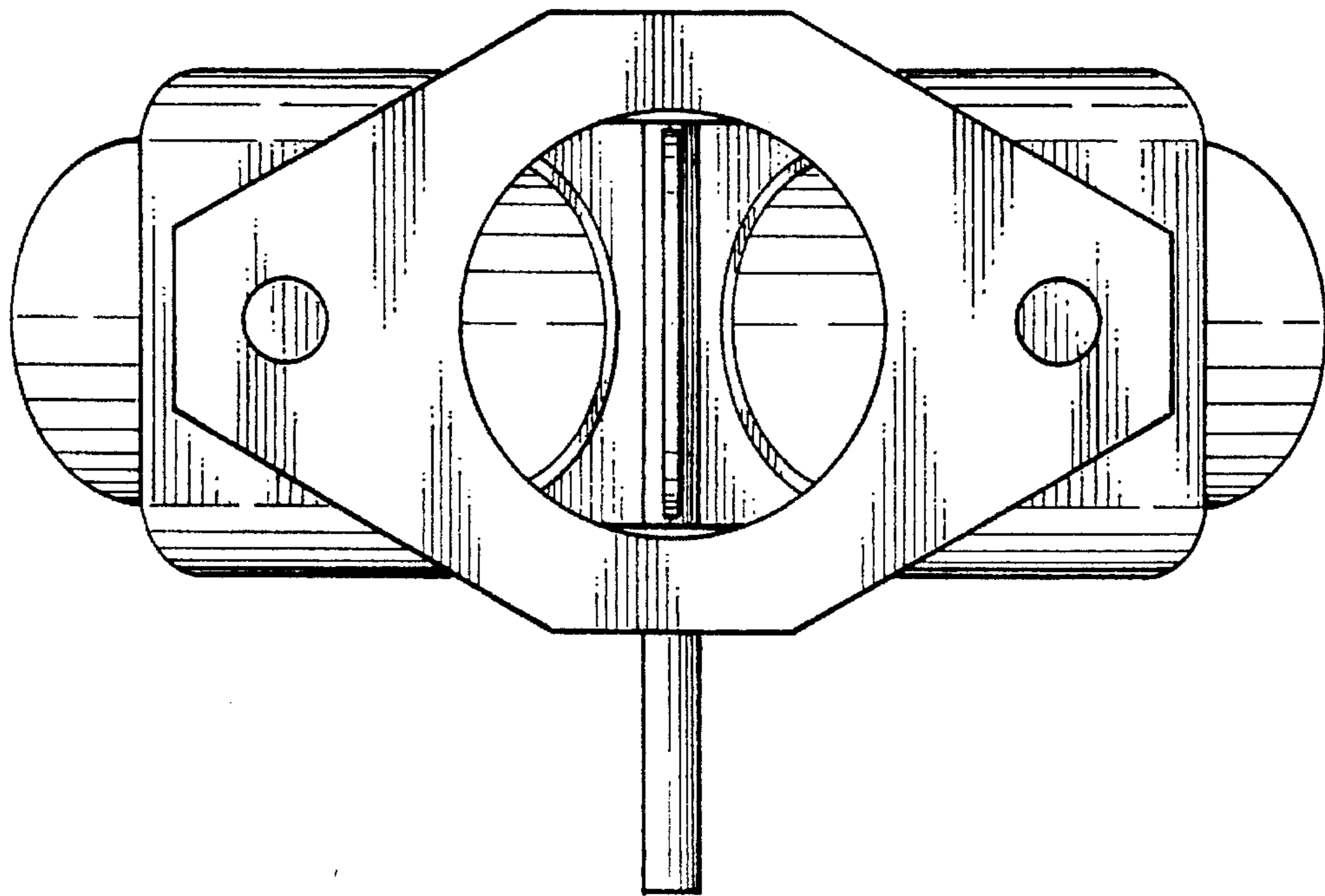


Fig. 2



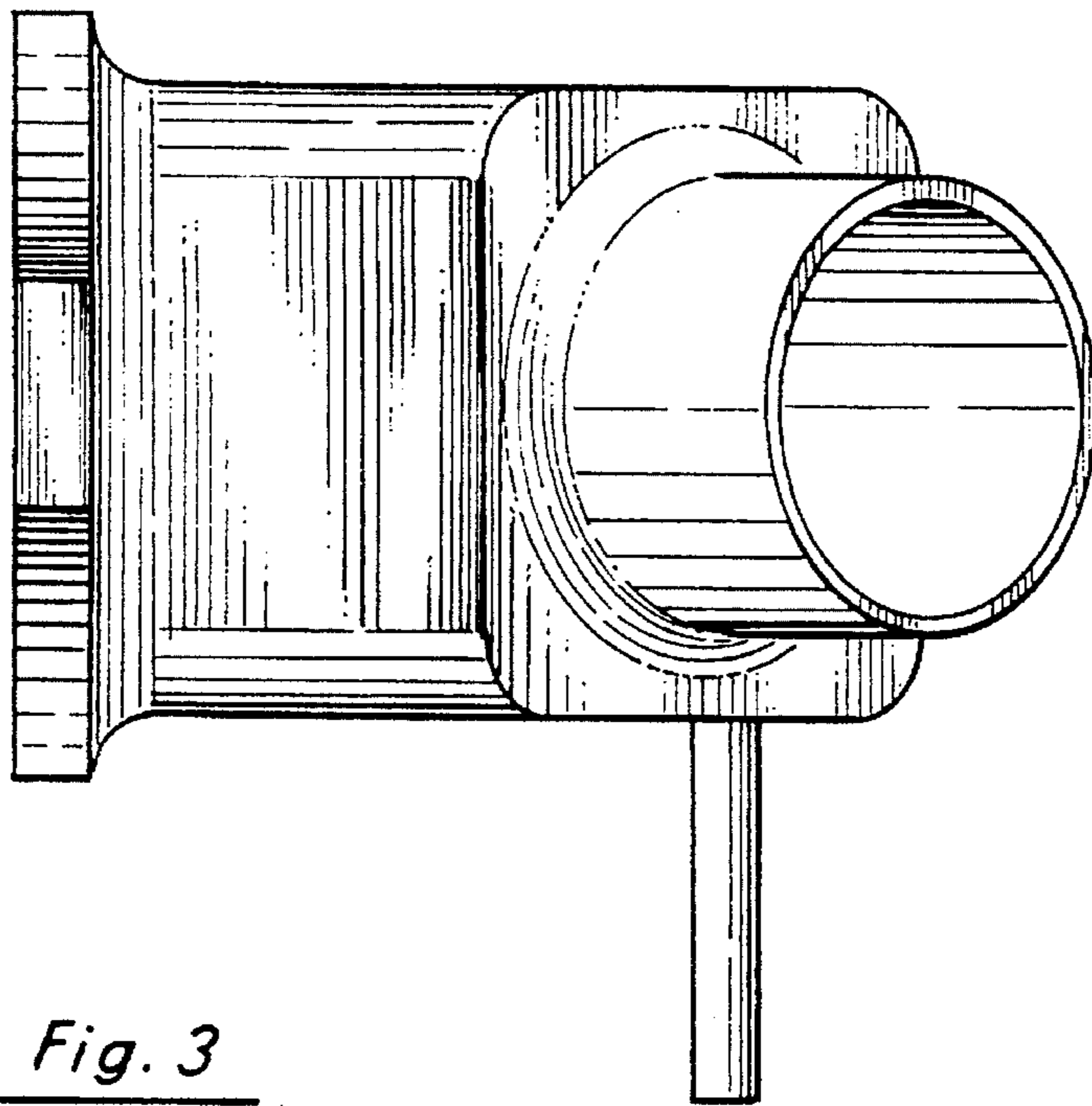


Fig. 3

Fig. 4

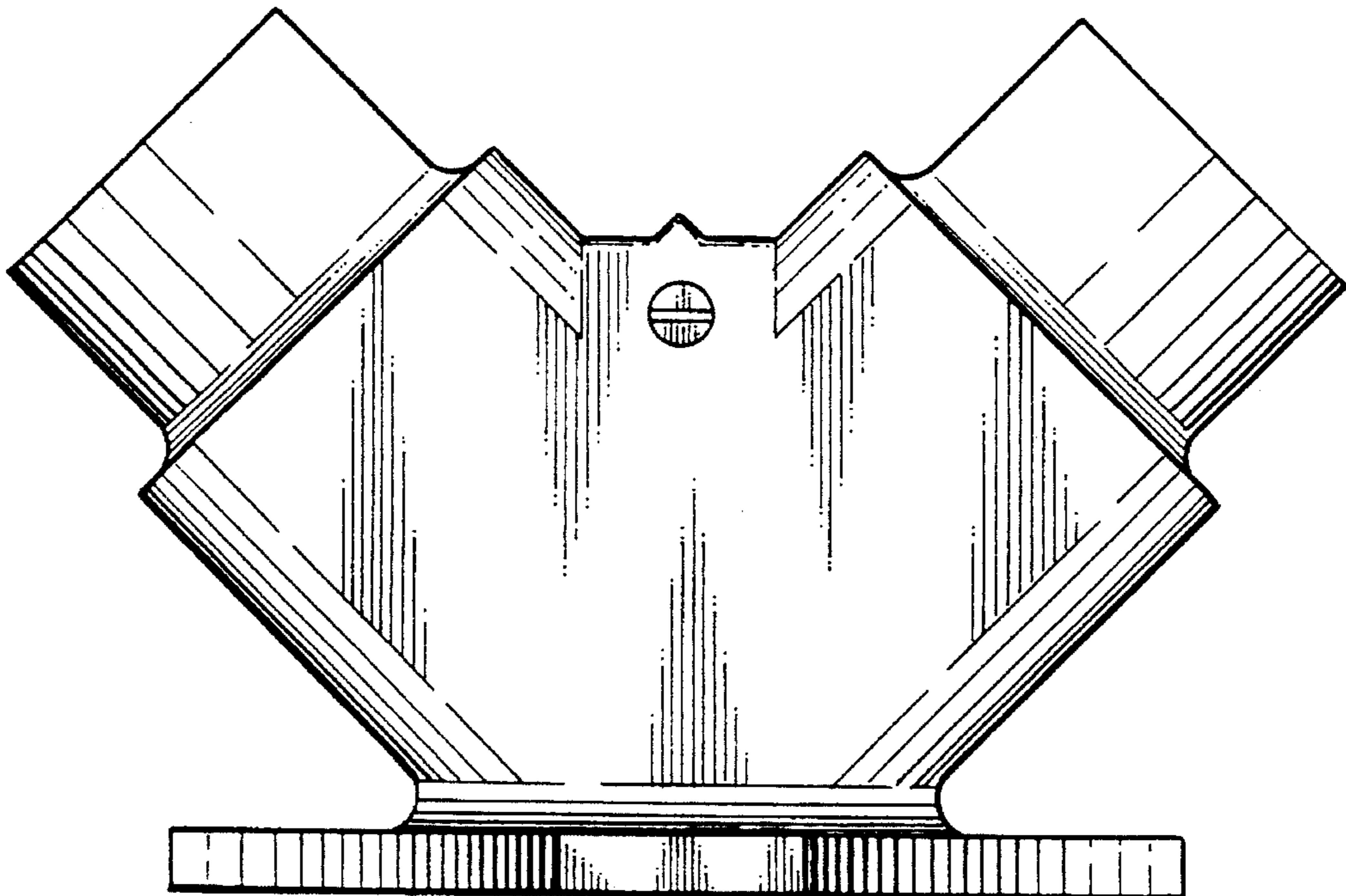


Fig. 5

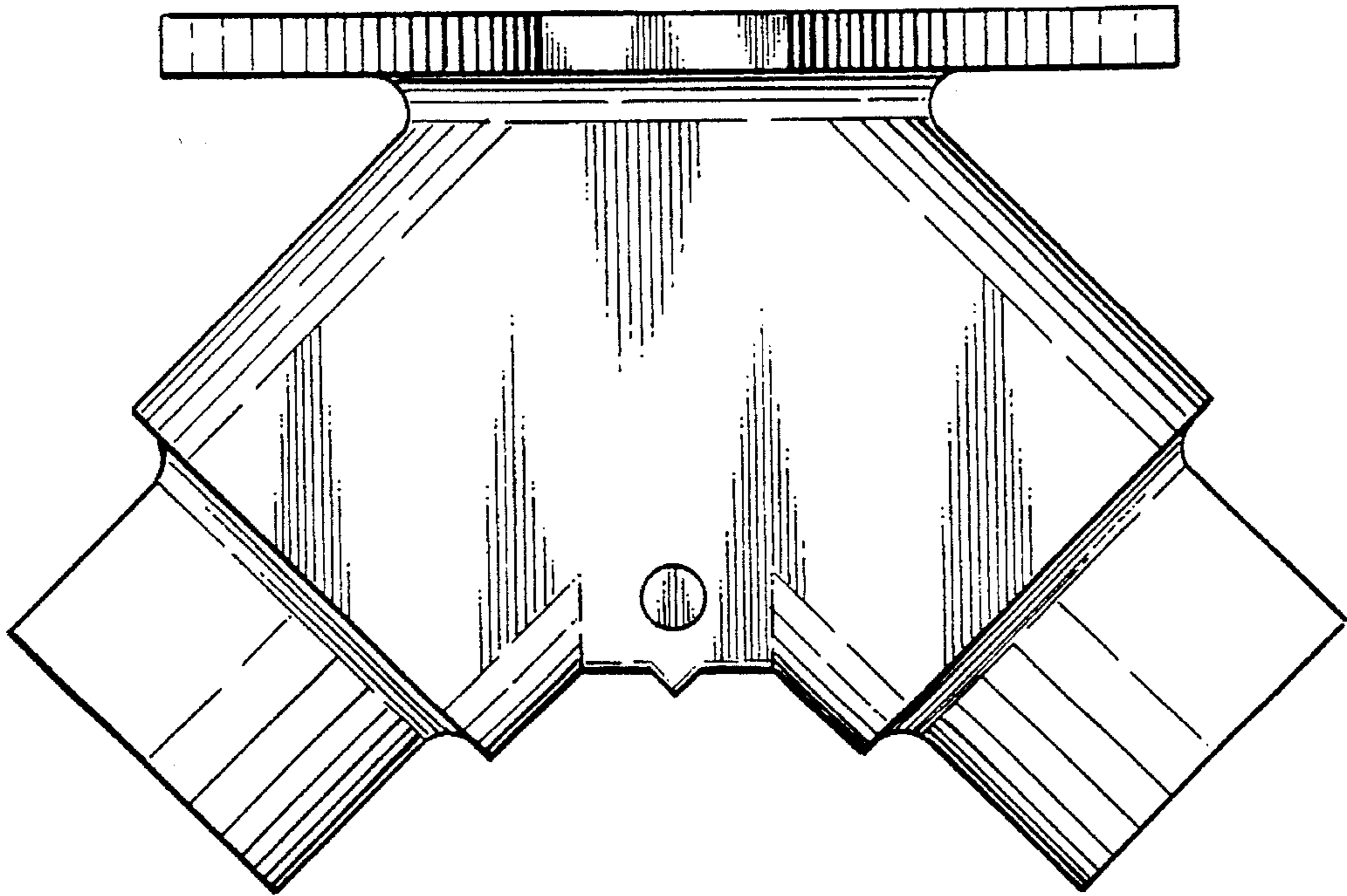


Fig. 6

