



US00D366925S

# United States Patent [19]

## Couper

[11] **Patent Number:** **Des. 366,925**

[45] **Date of Patent:** **\*\*Feb. 6, 1996**

[54] **FLY FISHING TOOL**

[76] Inventor: **John R. Couper**, 533 E. Fourth #8,  
Loveland, Colo. 80537

[\*\*] Term: **14 Years**

[21] Appl. No.: **32,224**

[22] Filed: **Dec. 14, 1994**

[52] U.S. Cl. .... **D22/149**

[58] **Field of Search** ..... D22/134, 149;  
43/25, 4, 1; 30/296.1, 286, 294, 317, 290,  
162; 7/106, 130, 132, 162

[56] **References Cited**

**U.S. PATENT DOCUMENTS**

D. 164,209	8/1951	Utz	.....	D22/149 X
D. 240,127	6/1976	McDonald et al.	.....	D22/149
D. 332,651	1/1993	Sugerman	.....	D22/134 X
3,825,961	7/1974	Klein	.....	7/106
4,896,422	1/1990	Sheehan et al.	.....	30/290
5,136,744	8/1992	Allsop et al.	.....	D22/149 X

5,182,874	2/1993	Powell	.....	D22/149 X
5,283,920	2/1994	Plummer	.....	43/4
5,344,424	9/1994	Roberts et al.	.....	30/162 X

*Primary Examiner*—Doris V. Coles

*Attorney, Agent, or Firm*—Klaas, Law, O'Meara & Malkin

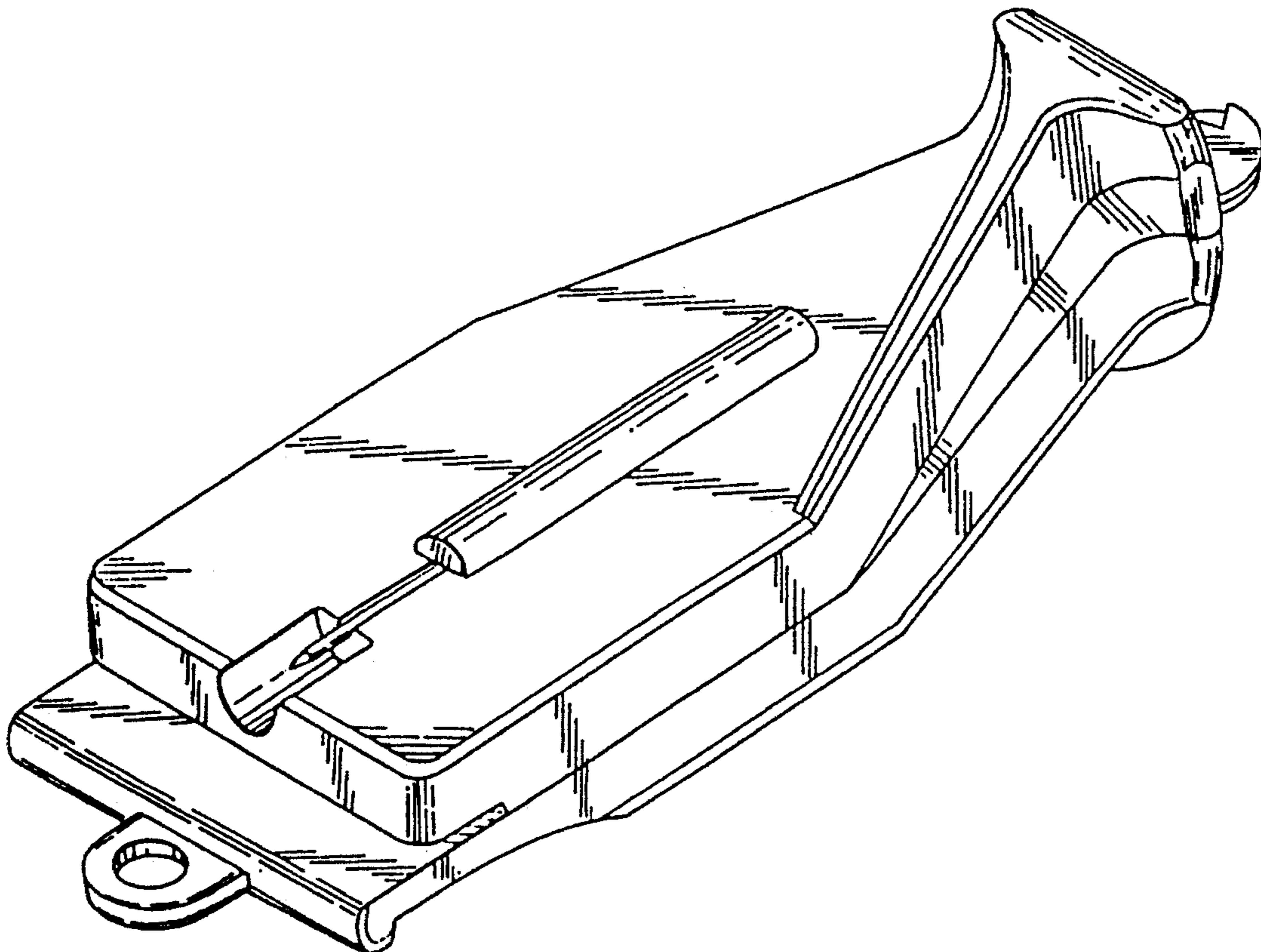
[57] **CLAIM**

The ornamental design for a fly fishing tool, as shown and described.

**DESCRIPTION**

FIG. 1 is a perspective view of the front, top and one side of the fly fishing tool of this invention; FIG. 2 is an end elevational view of the left side of FIG. 1; FIG. 3 is a top plan view of FIG. 2; FIG. 4 is a front elevation view of FIG. 2; FIG. 5 is a rear elevation view of FIG. 2; FIG. 6 is a bottom view of FIG. 3; and, FIG. 7 is an end elevational view from the right side of FIG. 1.

**1 Claim, 2 Drawing Sheets**



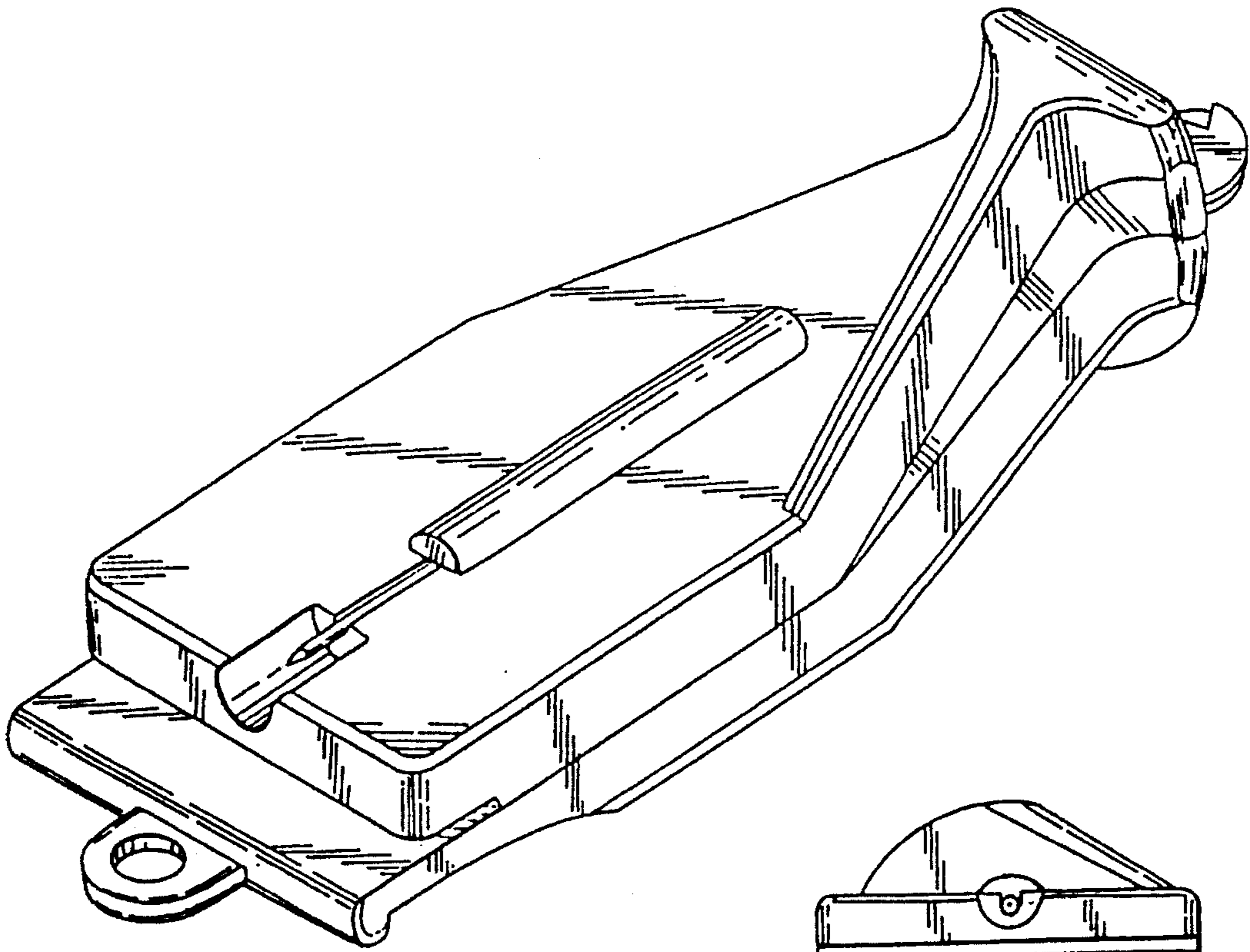


FIG. 1

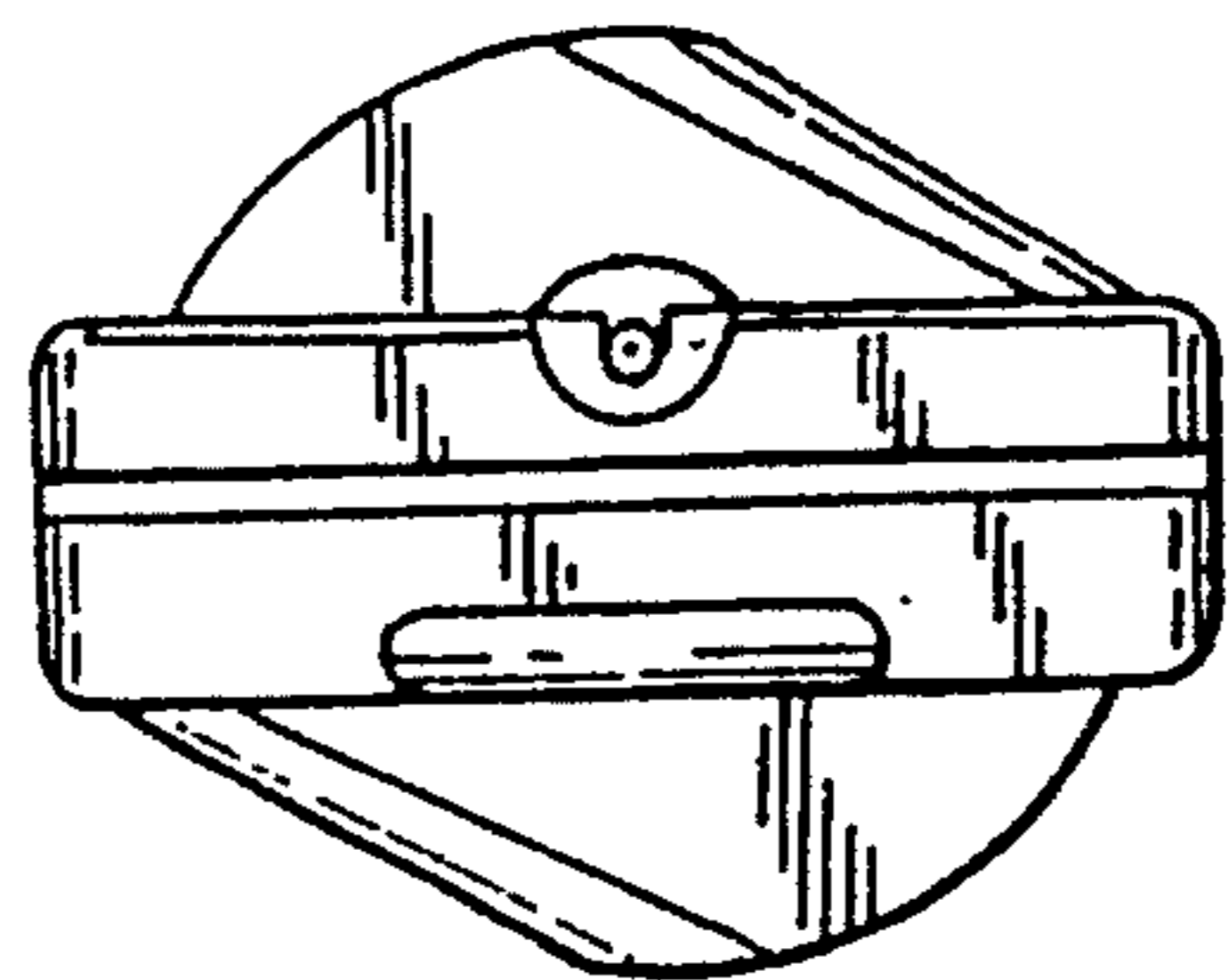


FIG. 2

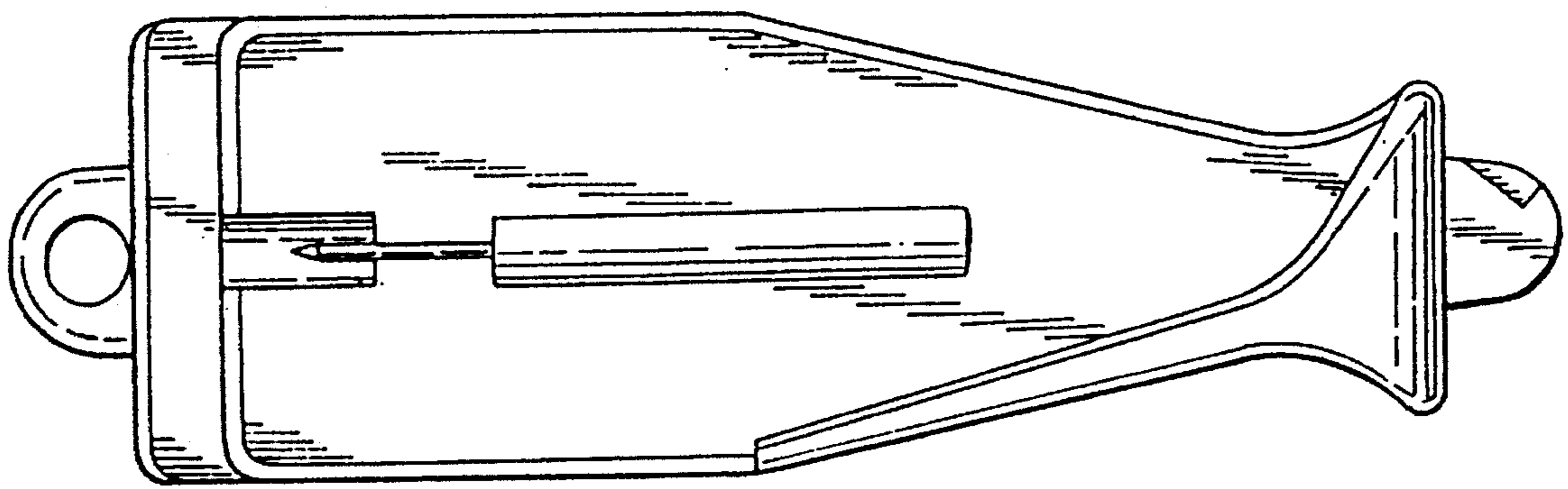


FIG. 3

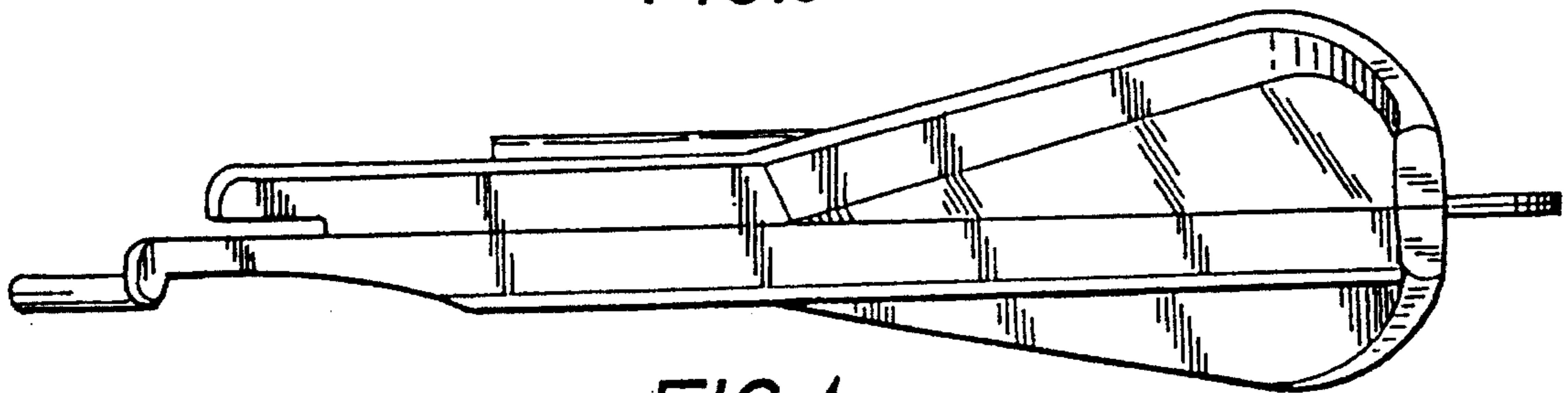
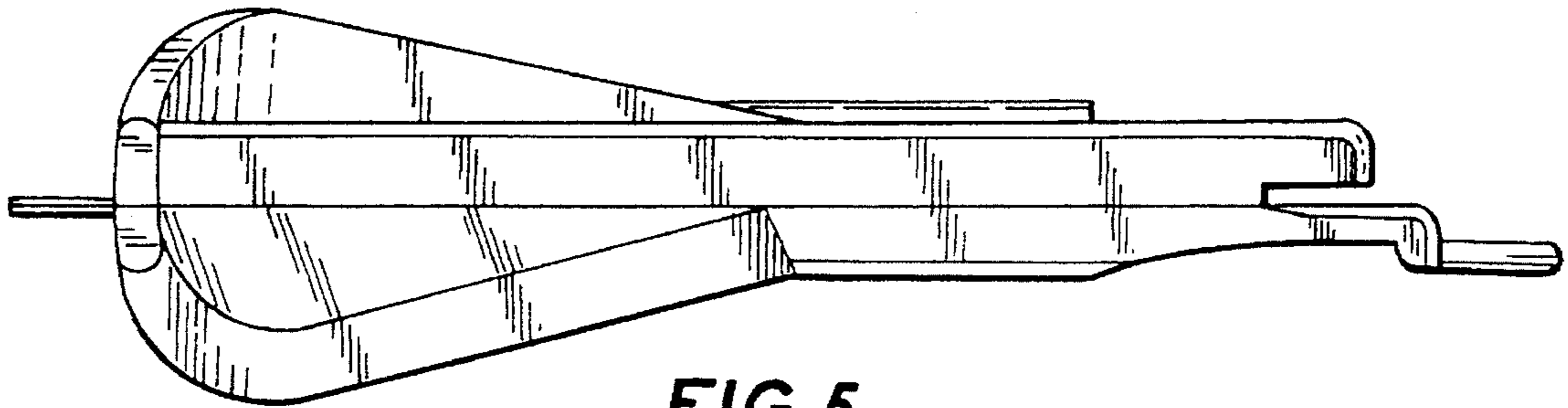
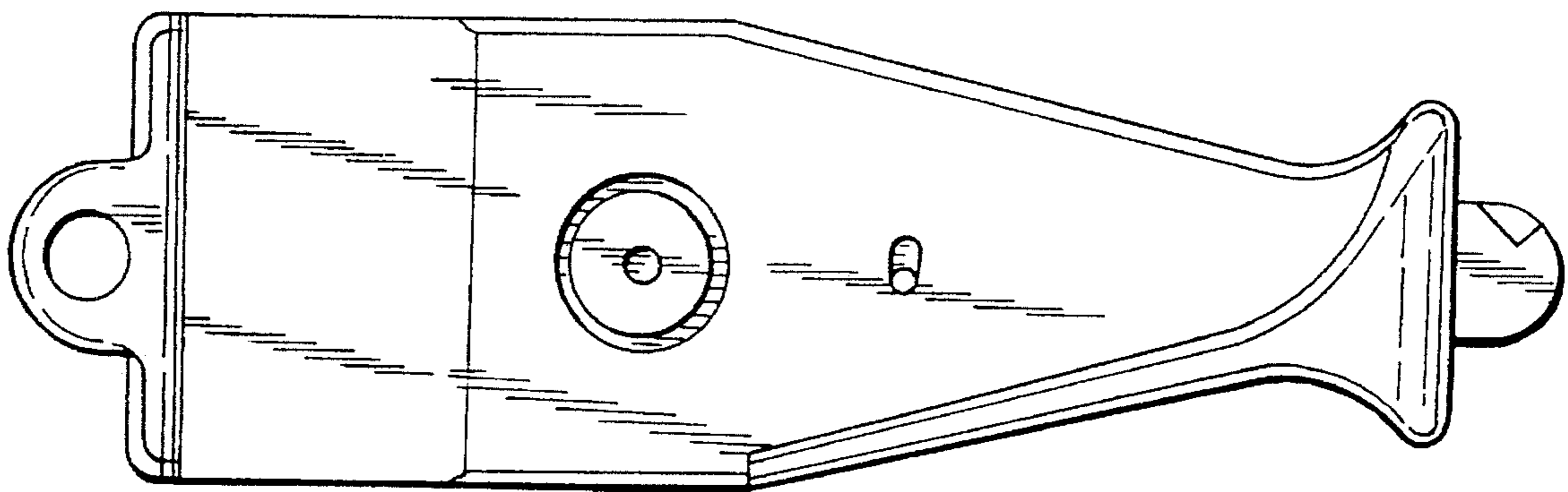


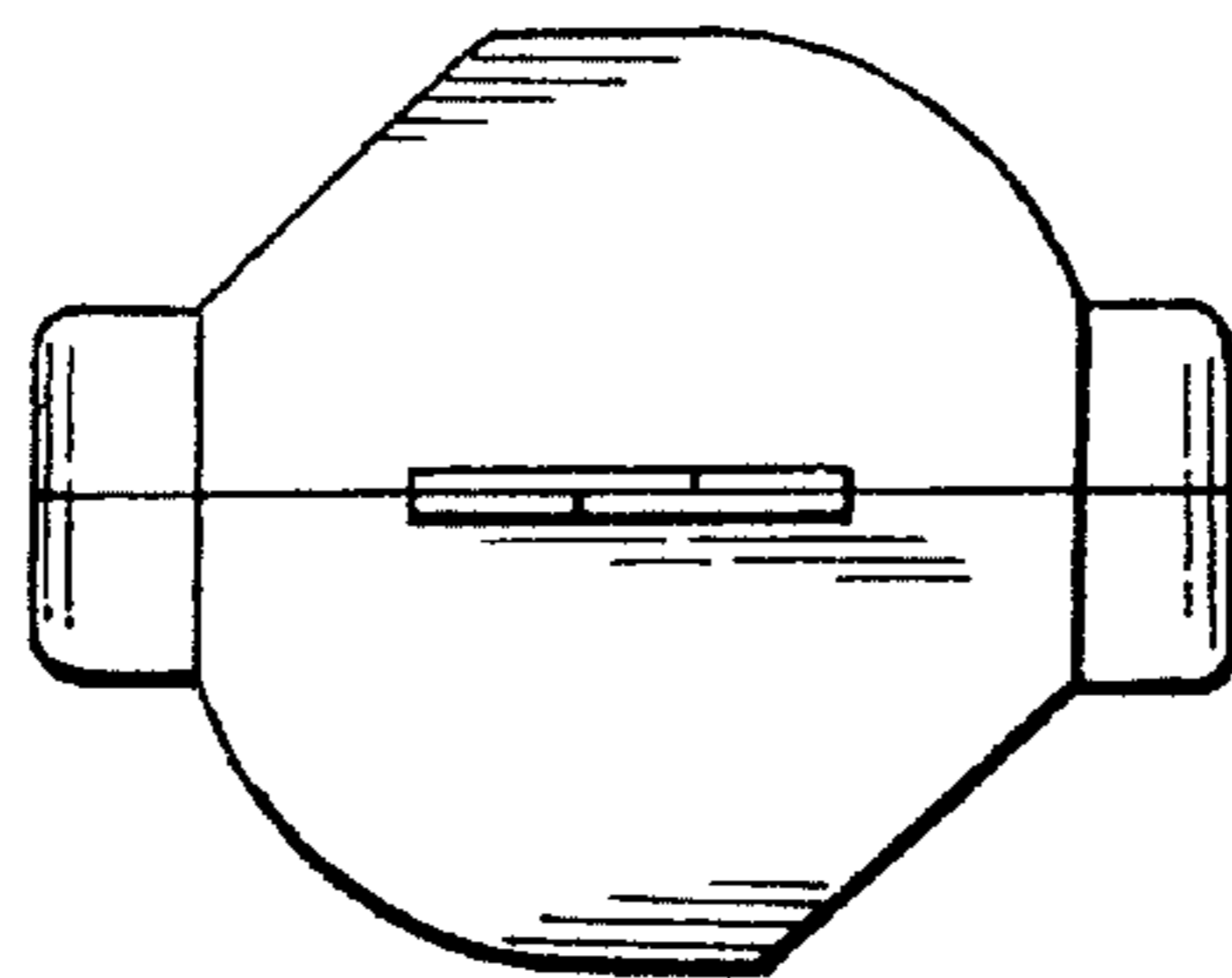
FIG. 4



**FIG. 5**



**FIG. 6**



**FIG. 7**