



US00D366922S

# United States Patent [19]

Doty, Jr.

[11] Patent Number: Des. 366,922

[45] Date of Patent: \*\*Feb. 6, 1996

[54] SKI SET HAVING C-SHAPED SUPPORT

4,865,572 9/1989 Andes .  
4,886,283 12/1989 Wells .

[76] Inventor: Archibald C. Doty, Jr., 347 Jackson Rd., Fletcher, N.C. 28732

Primary Examiner—Kay H. Chin  
Attorney, Agent, or Firm—Bell, Seltzer, Park & Gibson

[\*\*] Term: 14 Years

### [57] CLAIM

[21] Appl. No.: 38,101

The ornamental design for a ski seat having C-shaped support, as shown and described.

[22] Filed: Apr. 27, 1995

### DESCRIPTION

[52] U.S. Cl. .... D21/229; D12/9

[58] Field of Search ..... D21/229, 230,  
D21/228; 280/28.14, 28.15, 22.1, 12; D12/1,  
6, 9

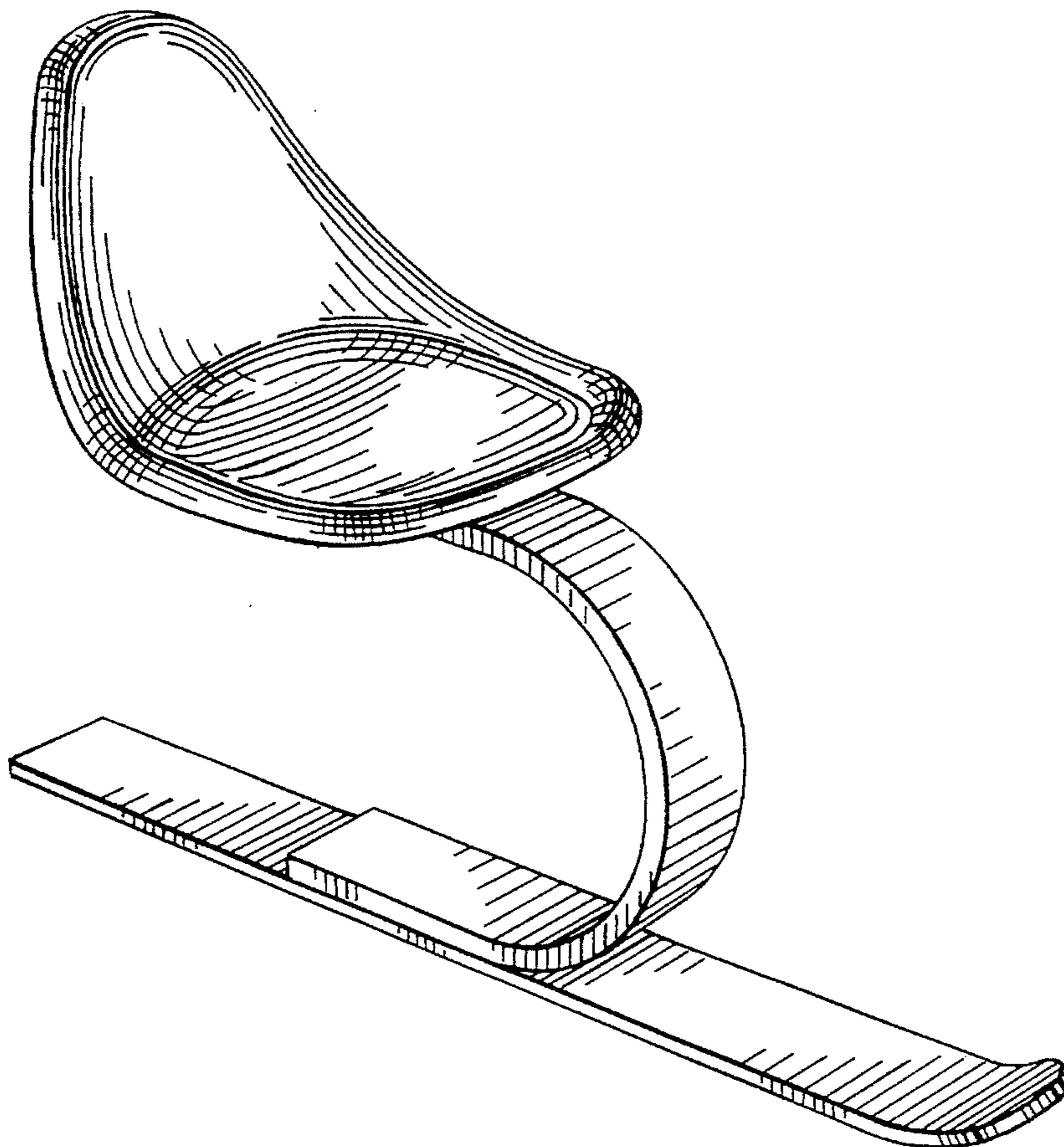
FIG. 1 is a front perspective view of a ski seat having a C-shaped support showing the design;  
FIG. 2 is a right side elevational view of the design of FIG. 1, the left side elevational view thereof being identical;  
FIG. 3 is a top plan view of the design of FIG. 1;  
FIG. 4 is a front elevational view of the design of FIG. 1;  
FIG. 5 is a rear elevational view of the design of FIG. 1;  
FIG. 6 is a front perspective view of a second embodiment showing the design;  
FIG. 7 is a top plan view of the design of FIG. 6;  
FIG. 8 is a front elevational view of the design of FIG. 6;  
FIG. 9 is a front perspective view of a third embodiment showing the design;  
FIG. 10 is a right side elevational view of the design of FIG. 9, the left side elevational view thereof being identical;  
FIG. 11 is a top plan view of the design of FIG. 9; and,  
FIG. 12 is a front elevational view of the design of FIG. 9.

### [56] References Cited

#### U.S. PATENT DOCUMENTS

|            |         |                      |           |
|------------|---------|----------------------|-----------|
| D. 291,427 | 8/1987  | Schaller et al. .... | D21/229   |
| D. 294,618 | 3/1988  | Fournier .....       | D21/229   |
| D. 303,416 | 9/1989  | Strauss .....        | D21/229   |
| D. 325,765 | 4/1992  | Grantz et al. ....   | D21/230   |
| 2,460,815  | 2/1949  | Dunkel .....         | 280/28.14 |
| 3,064,286  | 11/1962 | Hammond .            |           |
| 3,123,373  | 3/1964  | Antcliff .           |           |
| 3,145,399  | 8/1964  | Jackson .            |           |
| 3,204,263  | 9/1965  | Bash .               |           |
| 3,297,334  | 1/1967  | Jenks .....          | 280/12    |
| 3,666,281  | 5/1972  | Billings .           |           |
| 3,803,653  | 4/1974  | Trostad .            |           |
| 4,310,169  | 1/1982  | Brough .             |           |

1 Claim, 5 Drawing Sheets



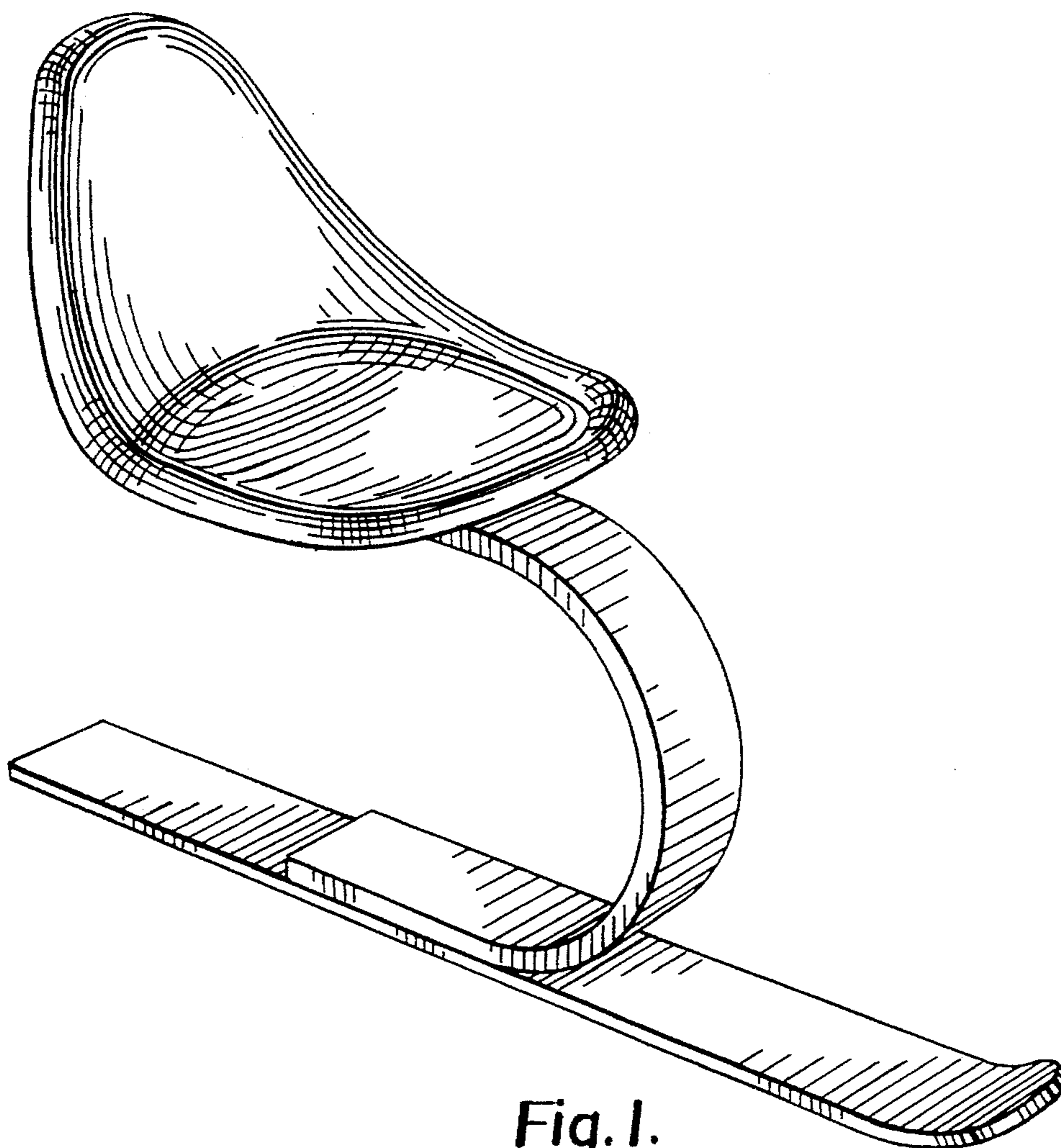


Fig. 1.

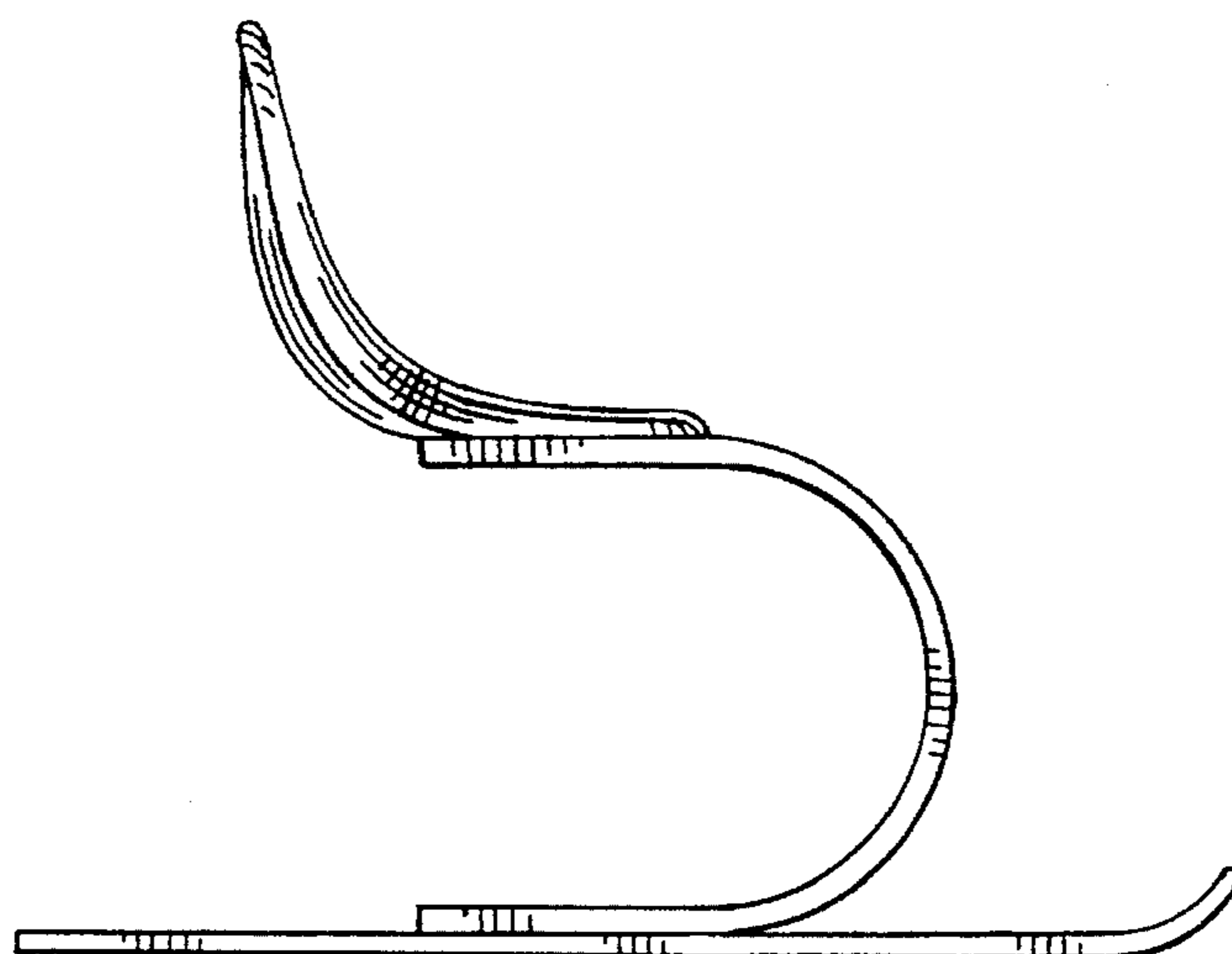
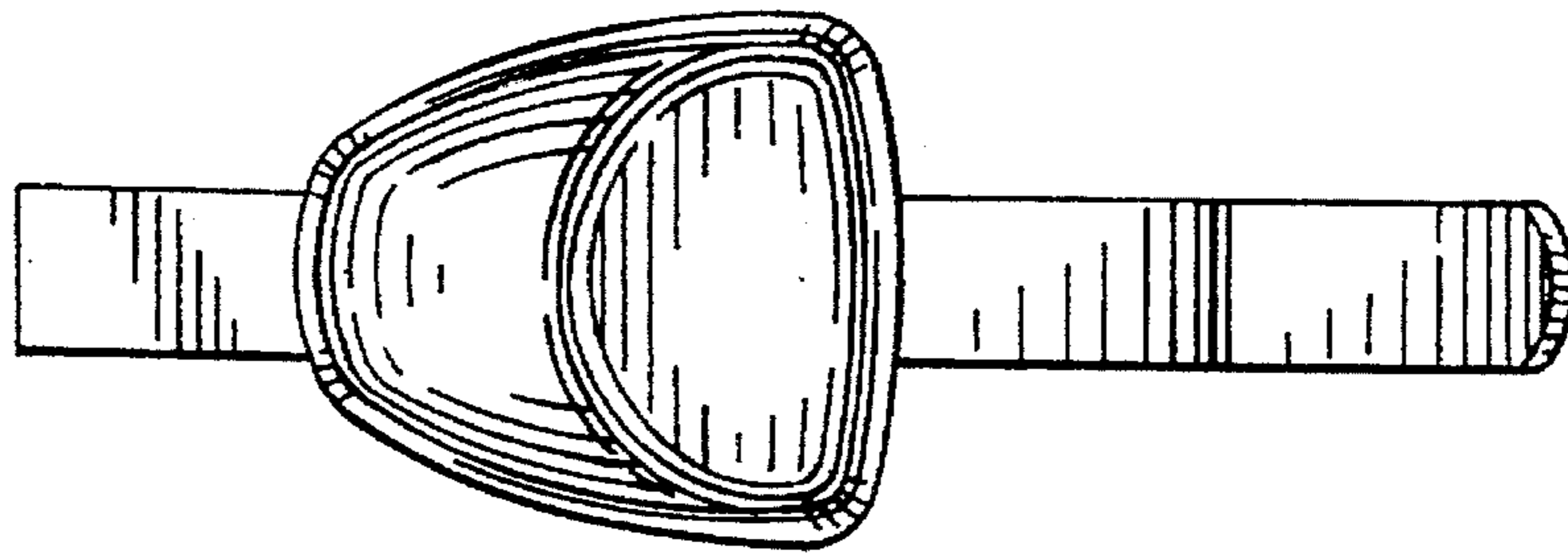
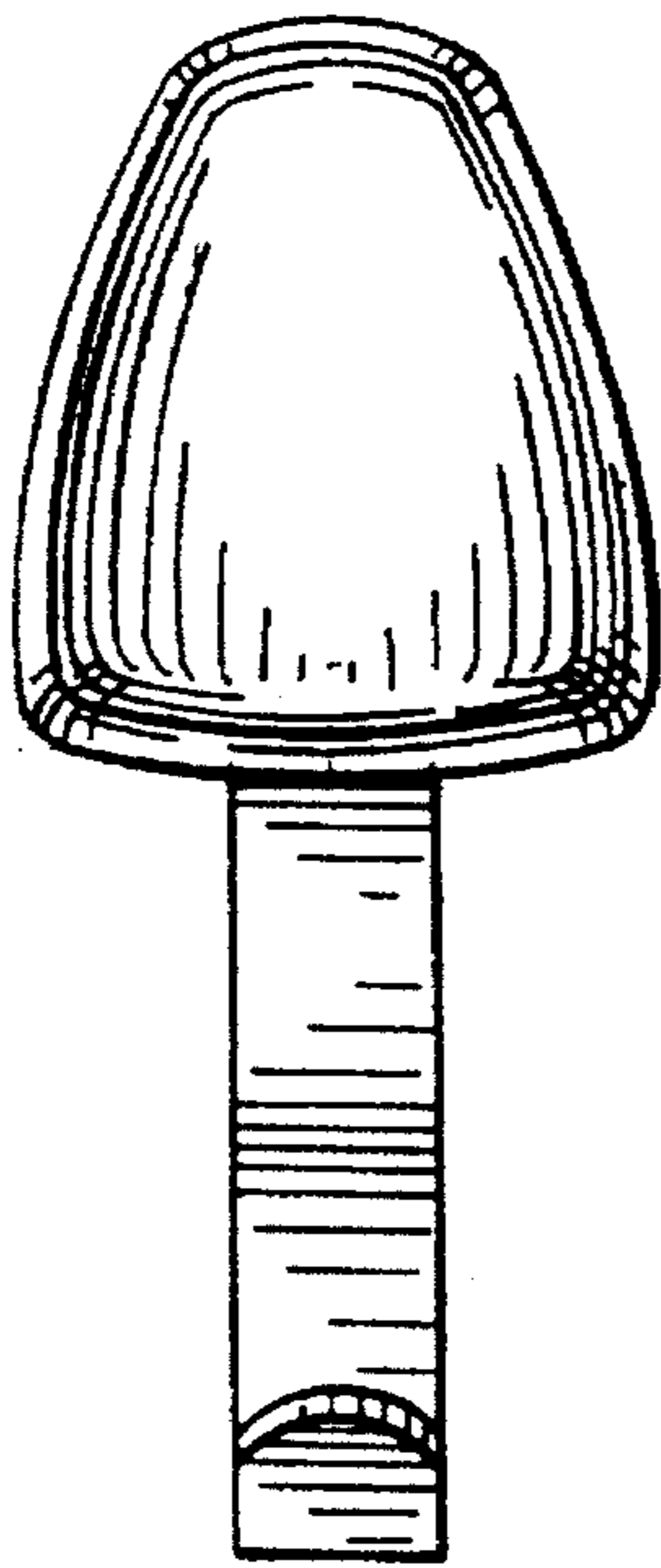


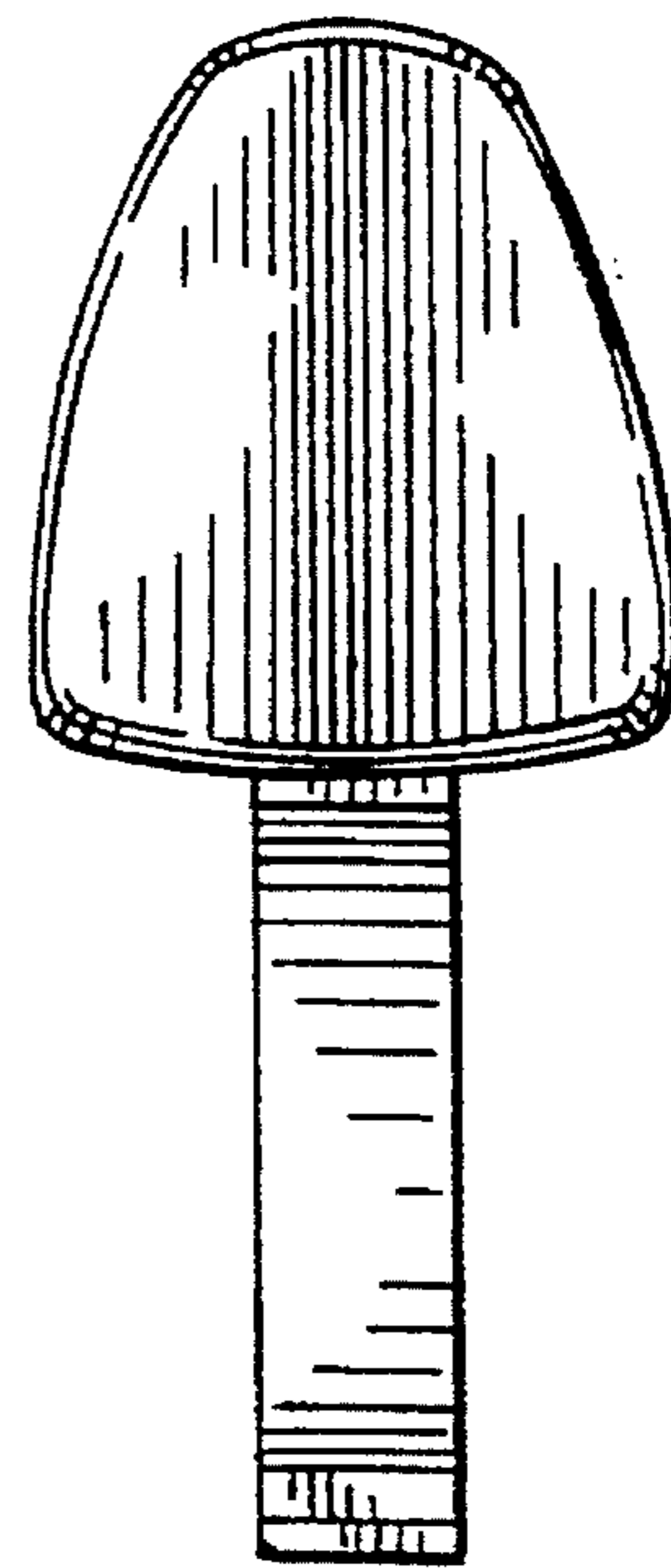
Fig. 2.



*Fig. 3.*



*Fig. 4.*



*Fig. 5.*

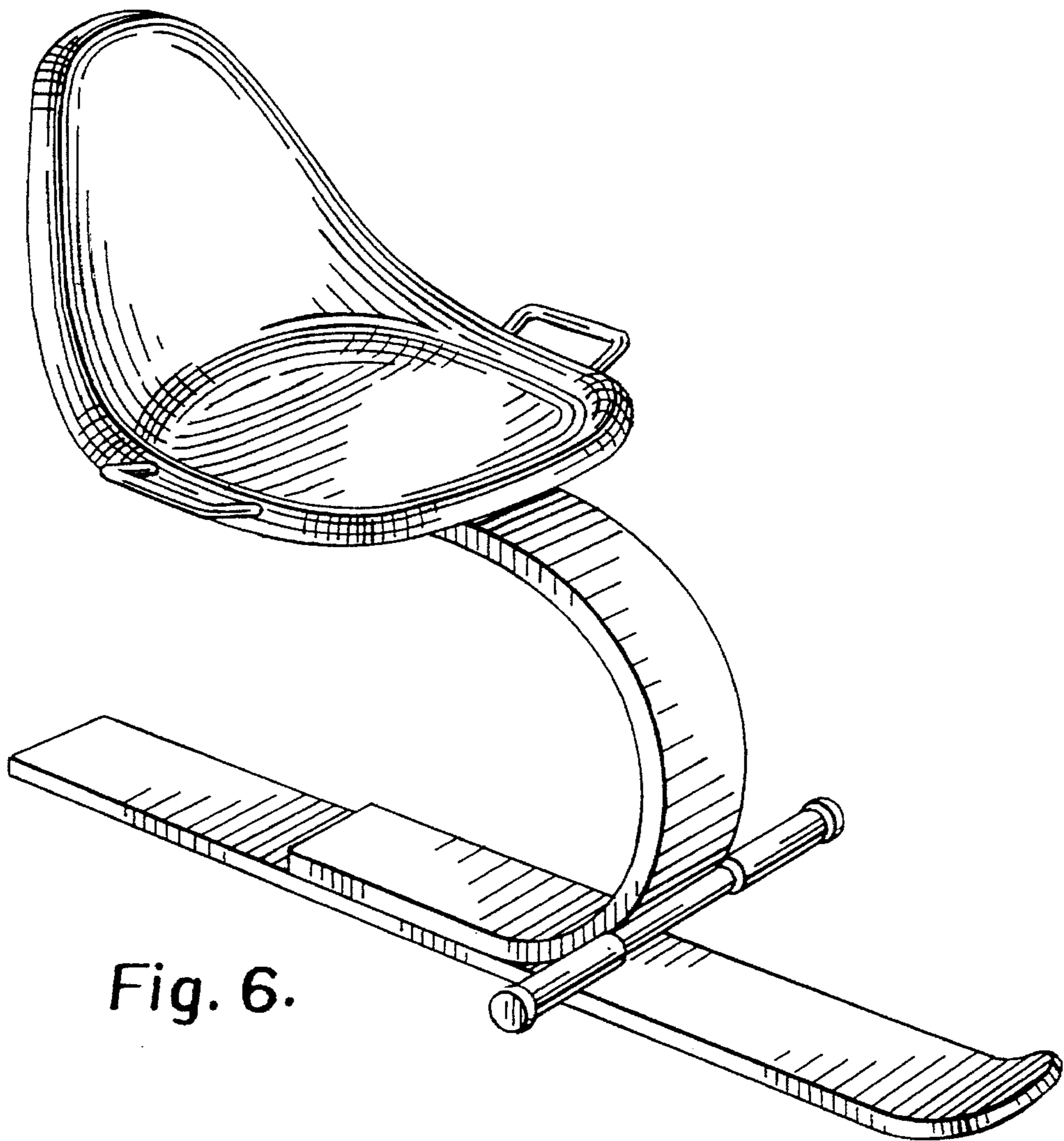


Fig. 6.

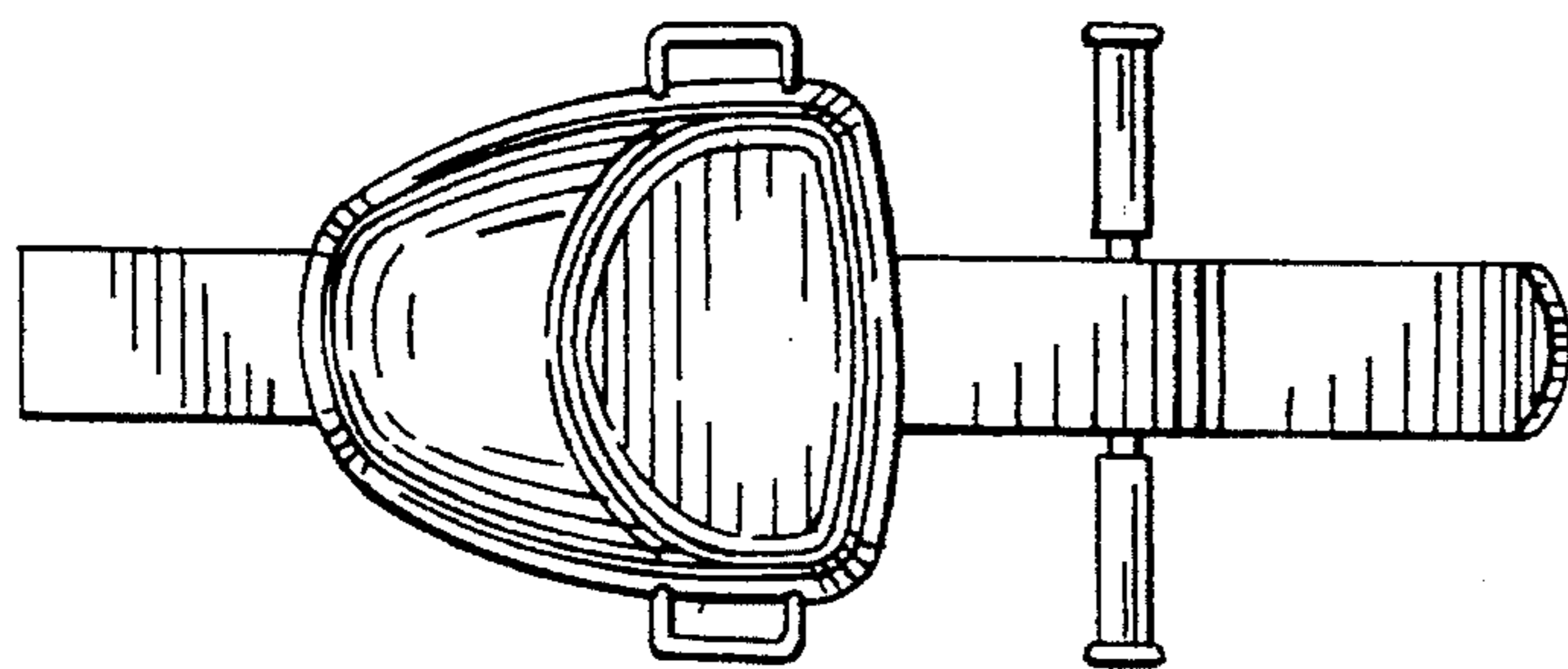


Fig. 7.

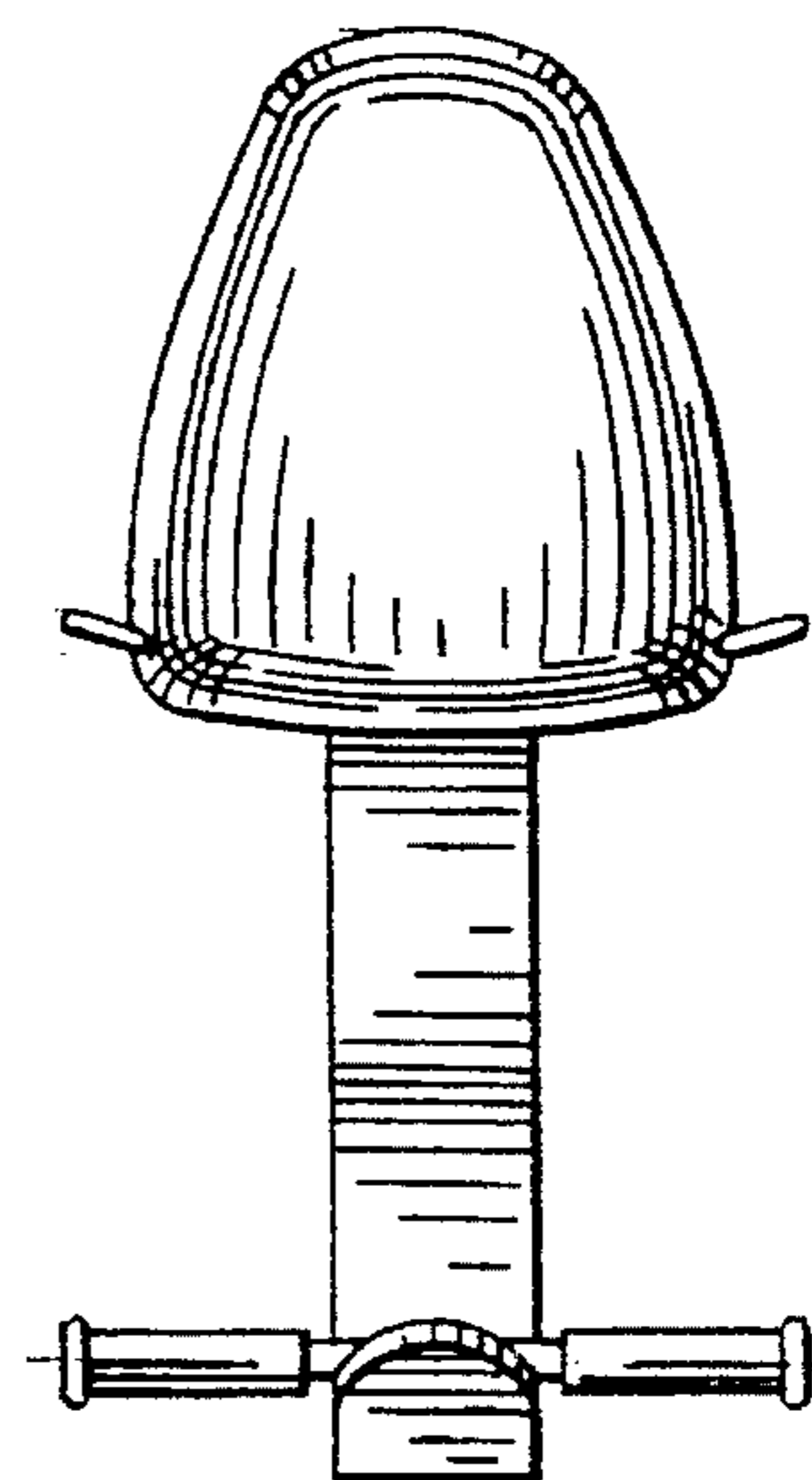


Fig. 8.

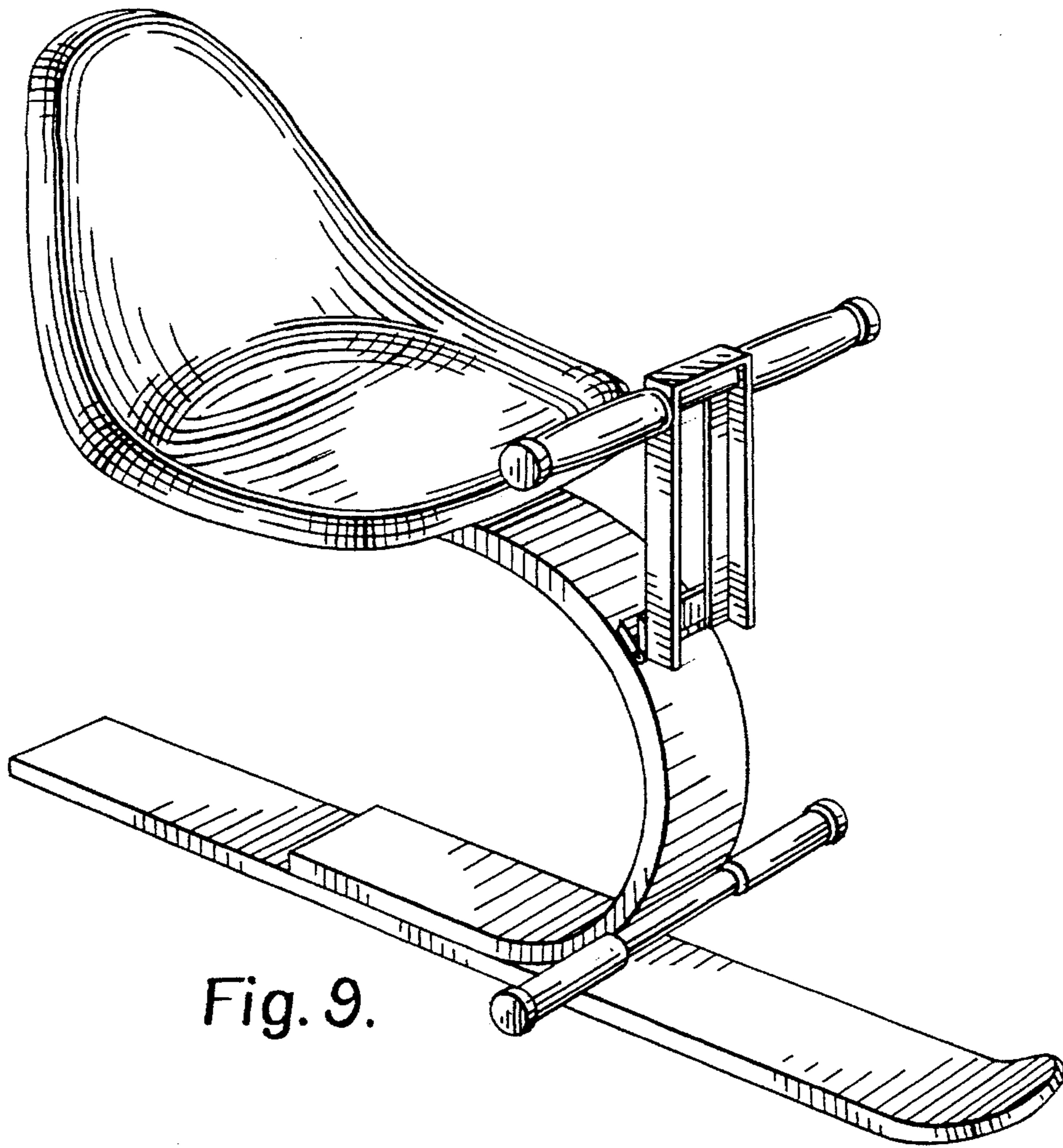


Fig. 9.

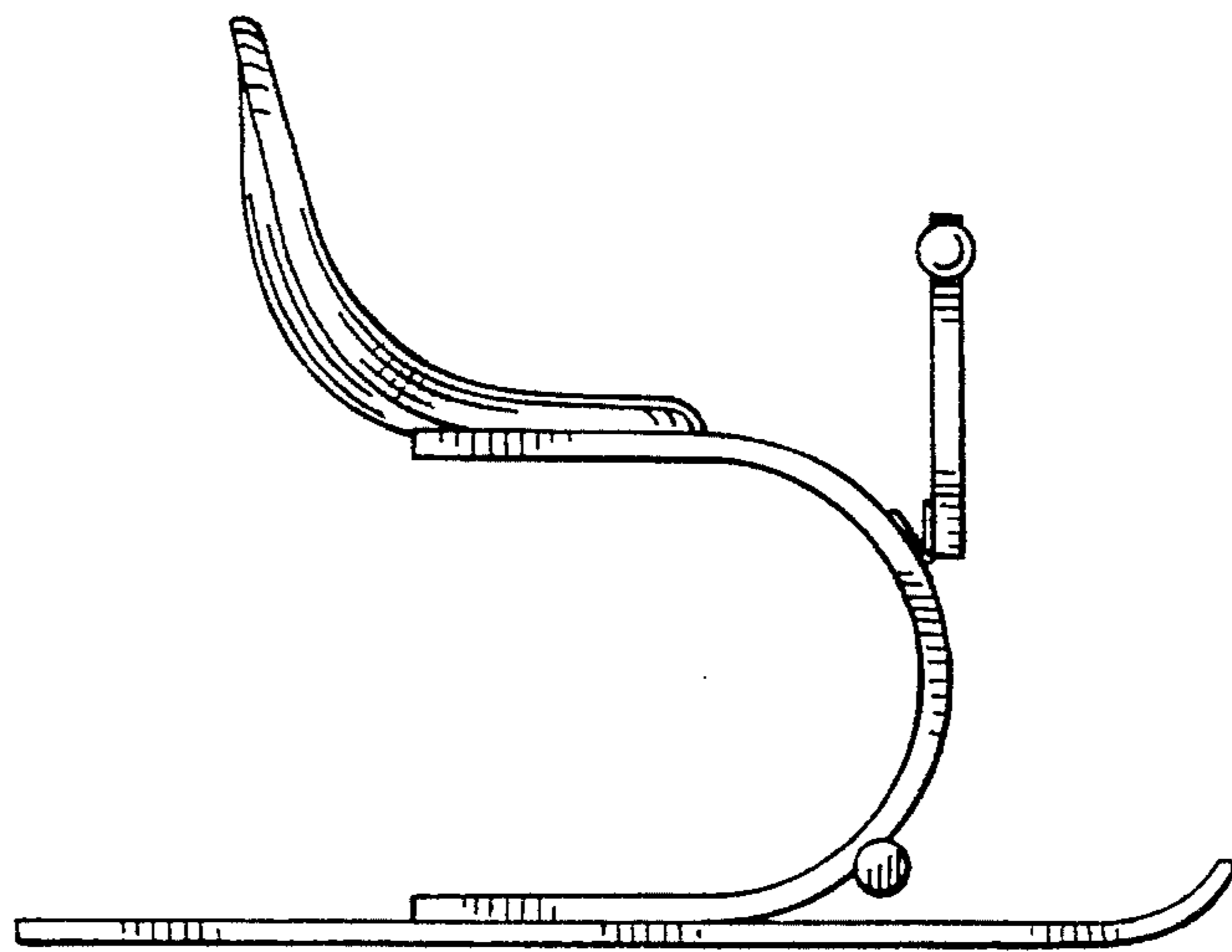
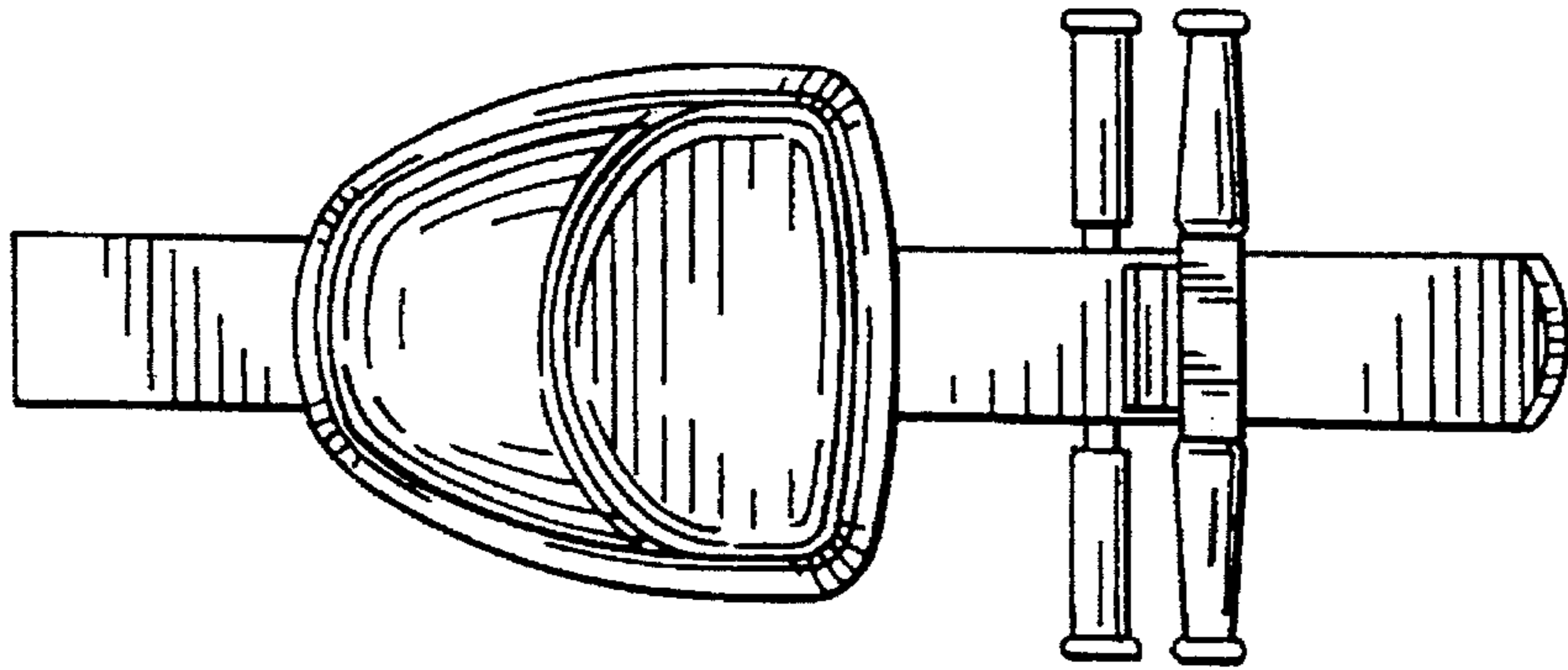
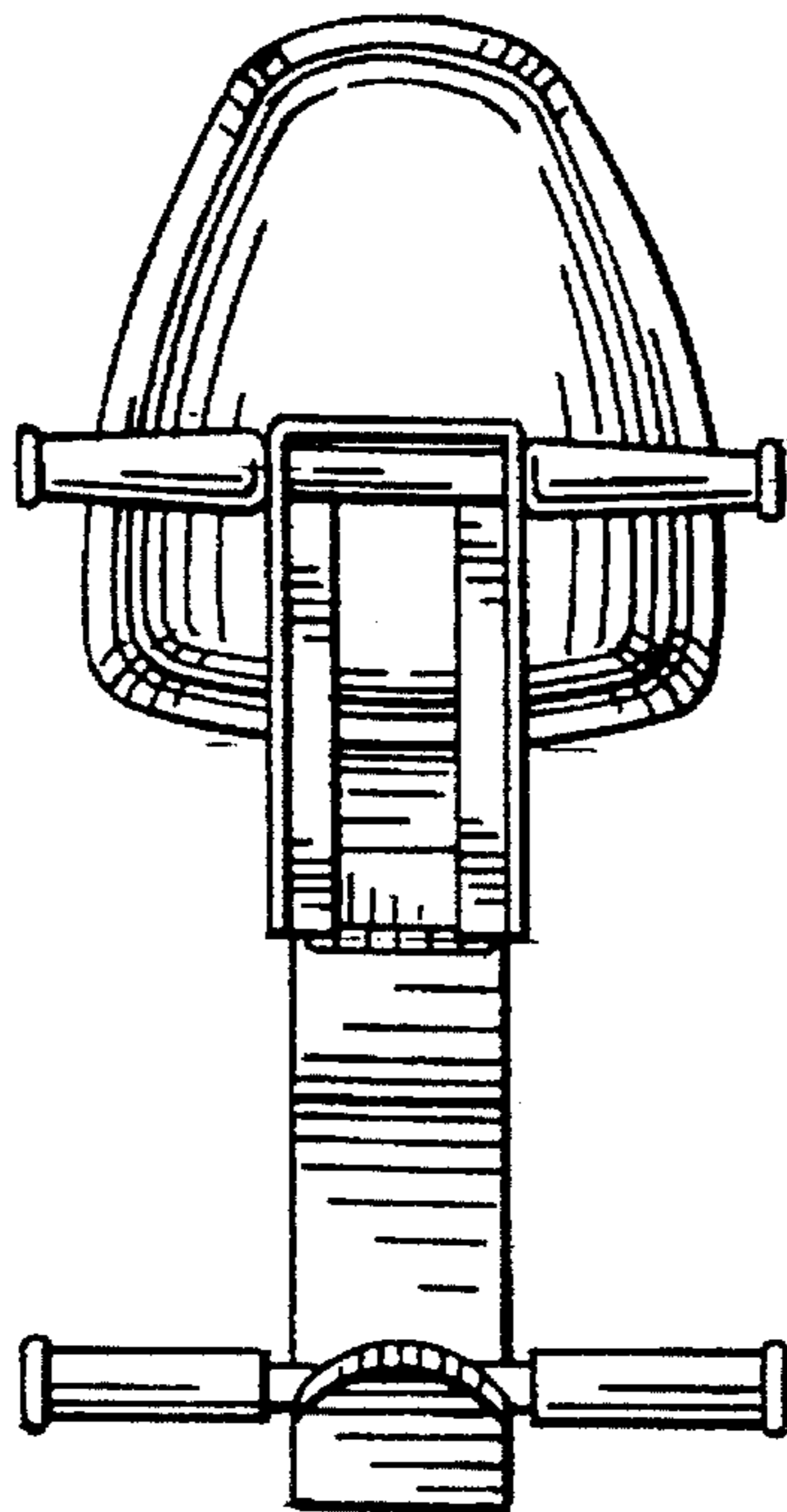


Fig. 10.



*Fig. 11.*



*Fig. 12.*