



US00D366917S

United States Patent [19]
Clem

[11] **Patent Number: Des. 366,917**
[45] **Date of Patent: **Feb. 6, 1996**

[54] **EXERCISE BENCH**

[75] Inventor: **William E. Clem**, Bozeman, Mont.

[73] Assignee: **Tunturi, Inc.**, Redmond, Wash.

[**] Term: **14 Years**

[21] Appl. No.: **28,864**

[22] Filed: **Sep. 23, 1994**

[52] U.S. Cl. **D21/191**

[58] Field of Search D21/191, 195,
D21/194; 482/93, 94, 95, 104, 130, 133,
134, 135, 137, 138, 142

[56] **References Cited**

U.S. PATENT DOCUMENTS

D. 262,810	1/1982	Lynn	D21/191
D. 300,337	3/1989	Brentham	D21/195
4,583,731	4/1986	Crivello et al.	482/130
4,746,114	5/1988	Grider	482/104
5,125,884	6/1992	Weber	482/142
5,160,305	11/1992	Lin	482/57
5,190,513	3/1993	Habing et al.	482/142
5,308,306	5/1994	Wang	482/142

OTHER PUBLICATIONS

Service Merchandise Catalog, 1993, p. 496, Weight Benches.
Flyer concerning Weight Benches 7003, 7600, 6860, HS5900, HS5950 of Fine Fitness Industry Co., Ltd., Taiwan.
Flyer concerning Weight Benches 15635, C500, C420, and D-120, of Weider.

Flyer concerning Body Benches 12-1605, Magnum D342 Weight Bench, and others, of Diversity Products Corp.
Flyer concerning Sit-Up Bench GL-667 of Gan Lucky Industrial Co. Ltd., Taiwan.
Flyer concerning Sit-Up Bench SUB1742 and Sports Bench HG3000, of Active Sports Co., Ltd., Taiwan.
Flyer concerning Olympic Benches 910, 202, and 232 of BMI, Orange, CA.
Flyer concerning Weight Benches "XL", "V", 37536W, and others of Ajay.
Flyer concerning Benches 401, 402, and 502 of Atlas Fitness Equipment, Inc.
Flyer concerning Flat (Incline) Decline Bench FW-FID of Fitness Products, Inc.

Primary Examiner—Ted Shooman
Assistant Examiner—Philip Hyder
Attorney, Agent, or Firm—Graybeal Jackson Haley & Johnson

[57] **CLAIM**

The ornamental design for an exercise bench, as shown.

DESCRIPTION

FIG. 1 is a top plan view, showing my new design;
FIG. 2 is a bottom plan view thereof;
FIG. 3 is a left side elevational view thereof;
FIG. 4 is a right side elevational view thereof;
FIG. 5 is a front elevational view thereof;
FIG. 6 is a rear elevational view thereof; and,
FIG. 7 is a perspective view thereof.

1 Claim, 4 Drawing Sheets

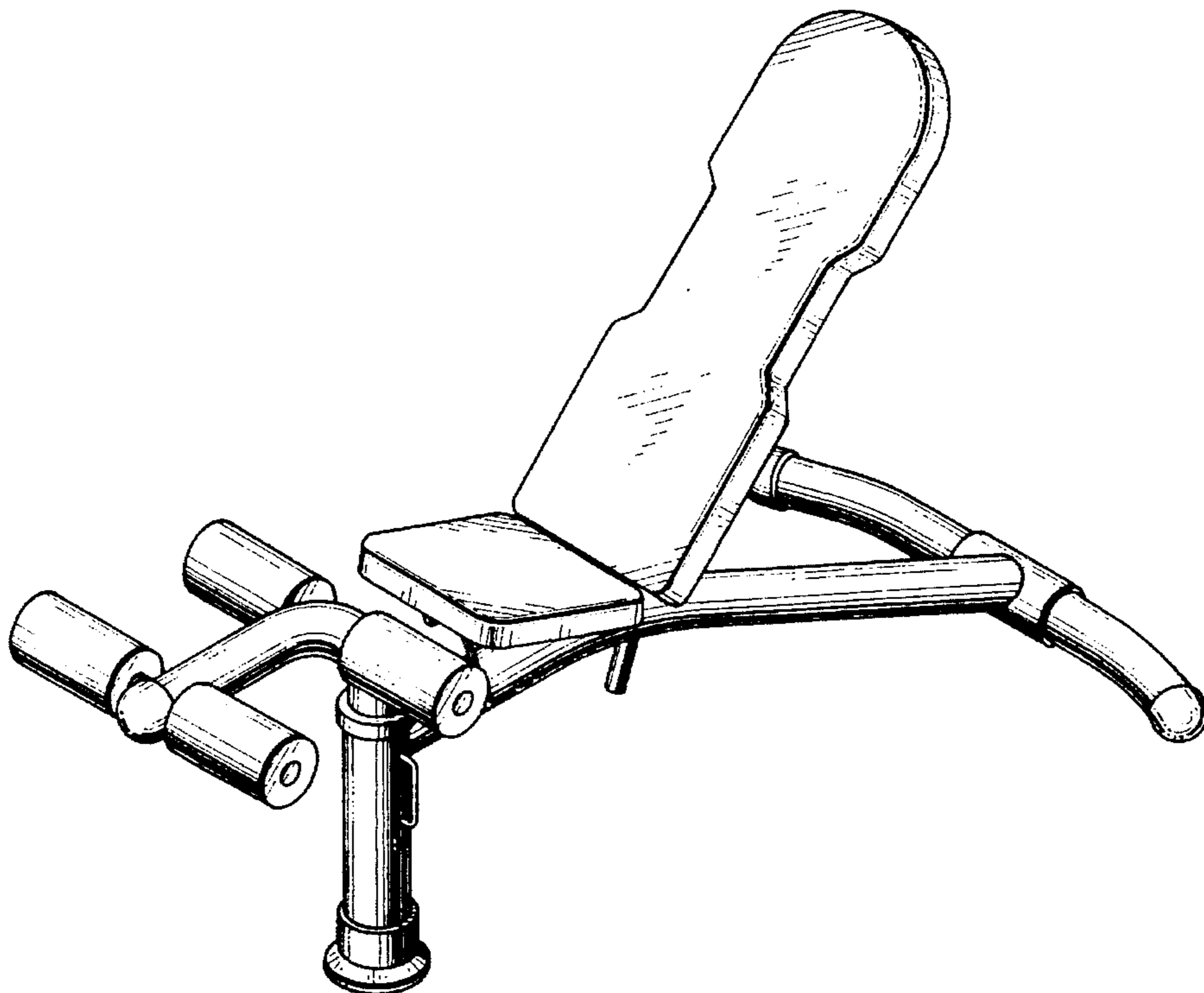


FIG. 1

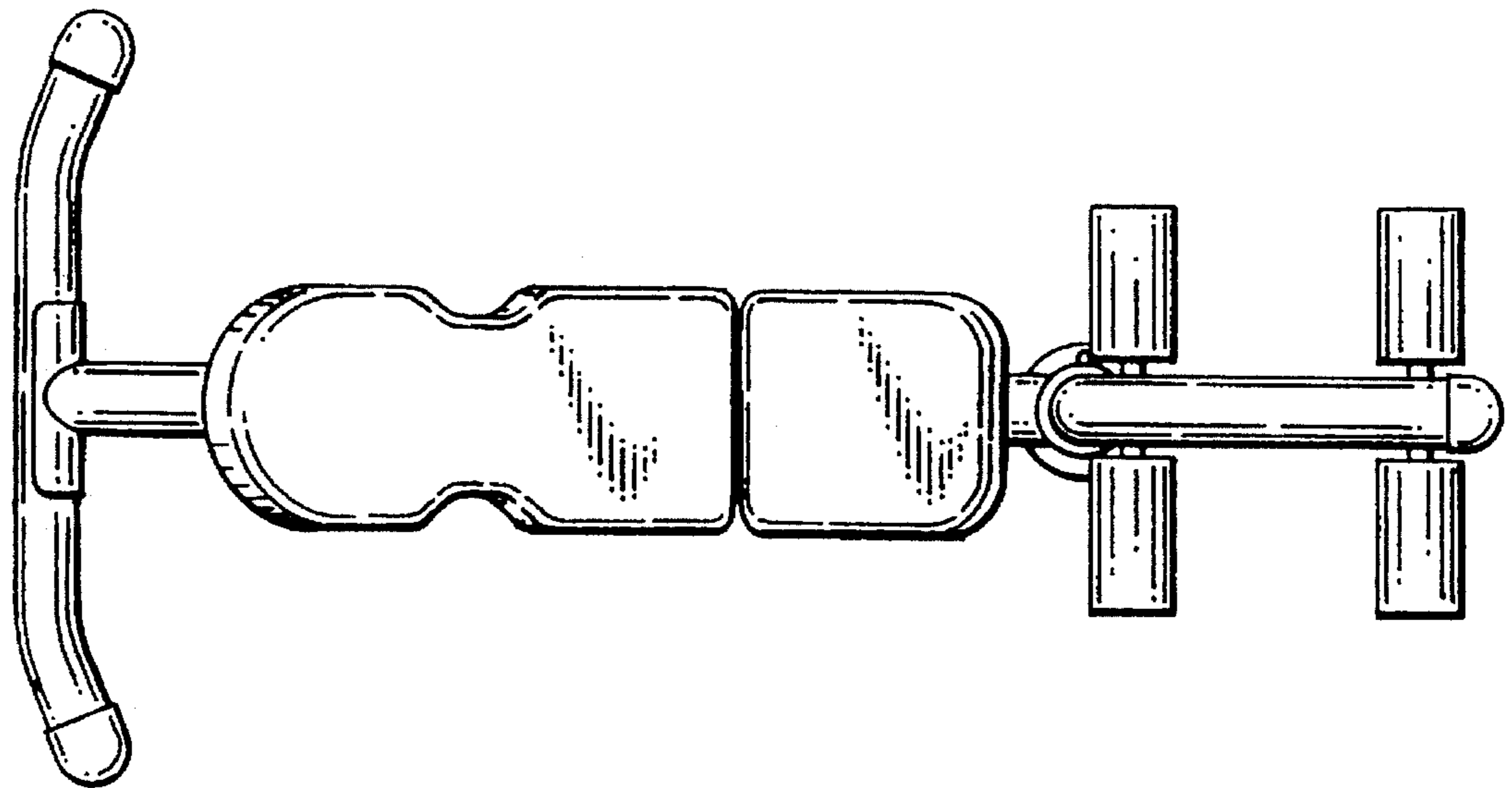


FIG. 2

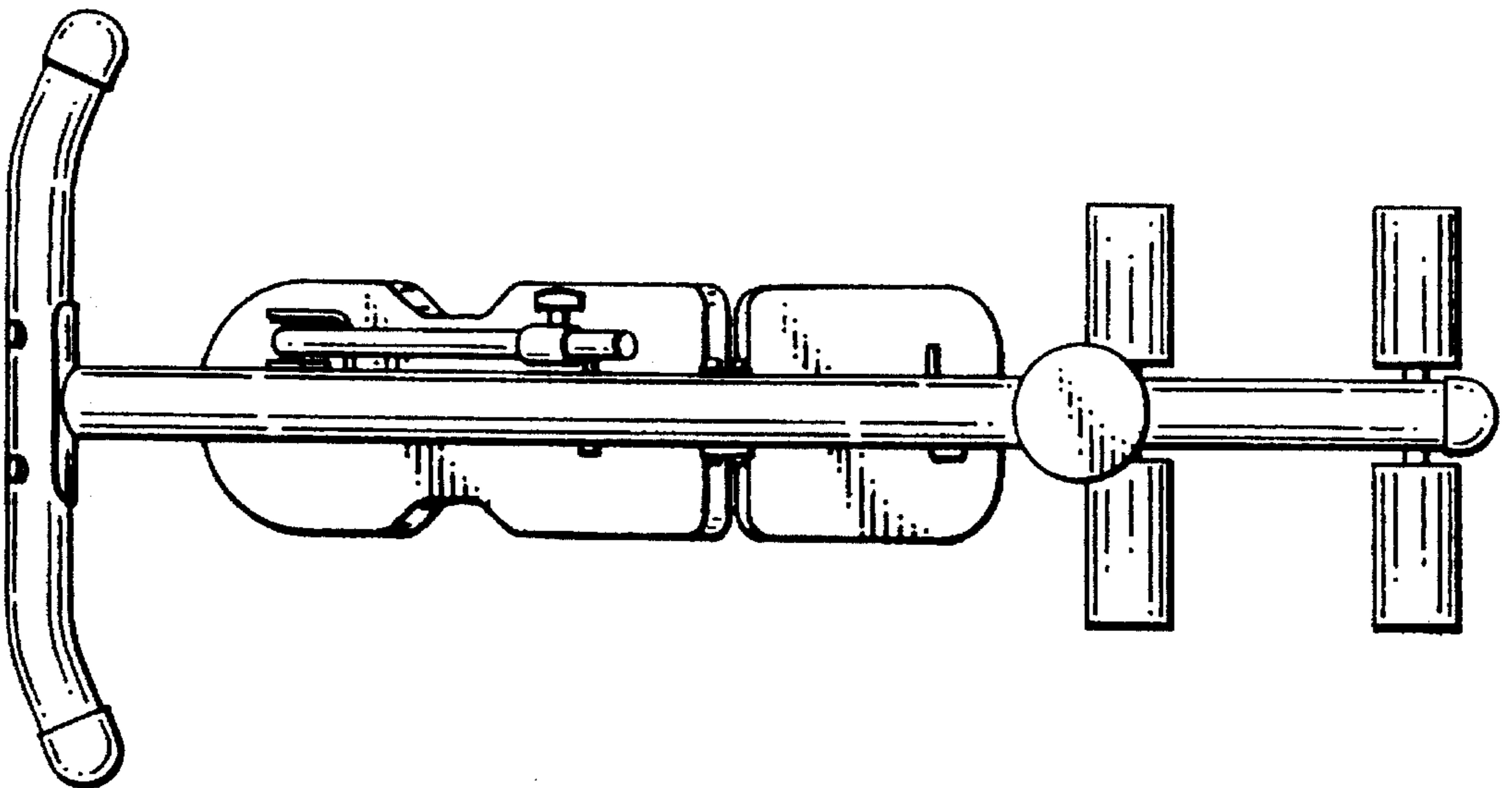


FIG. 3

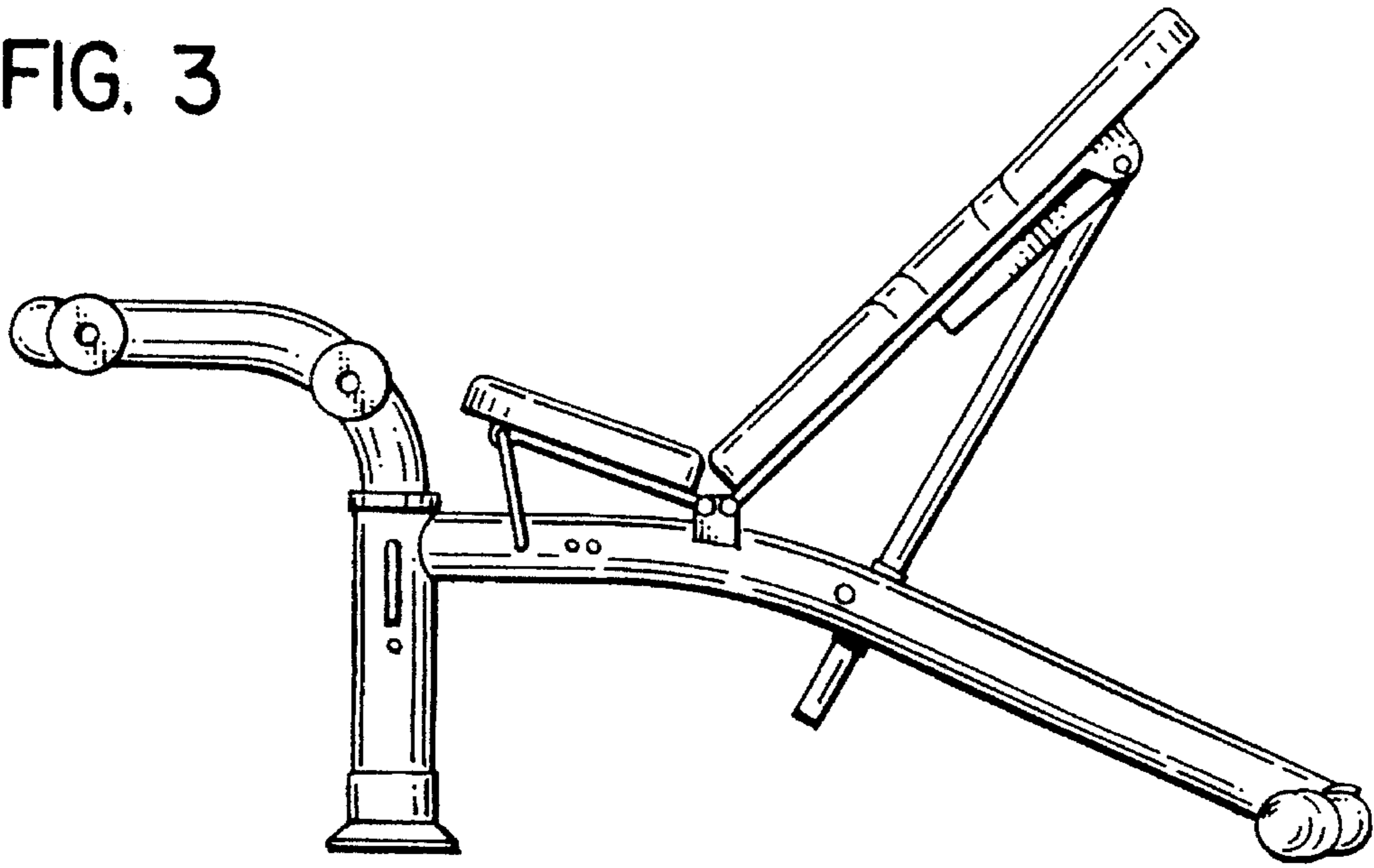


FIG. 4

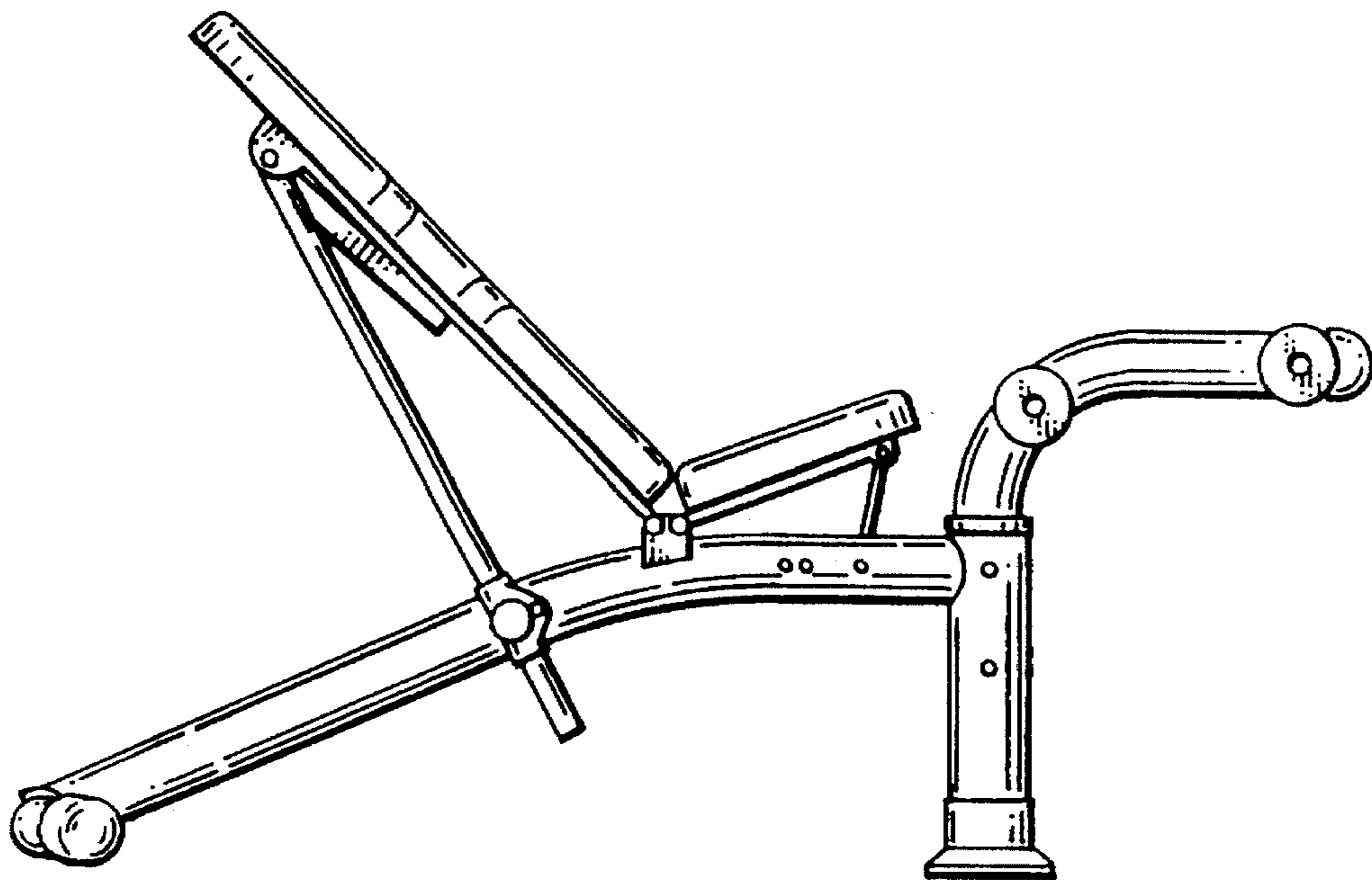


FIG. 5

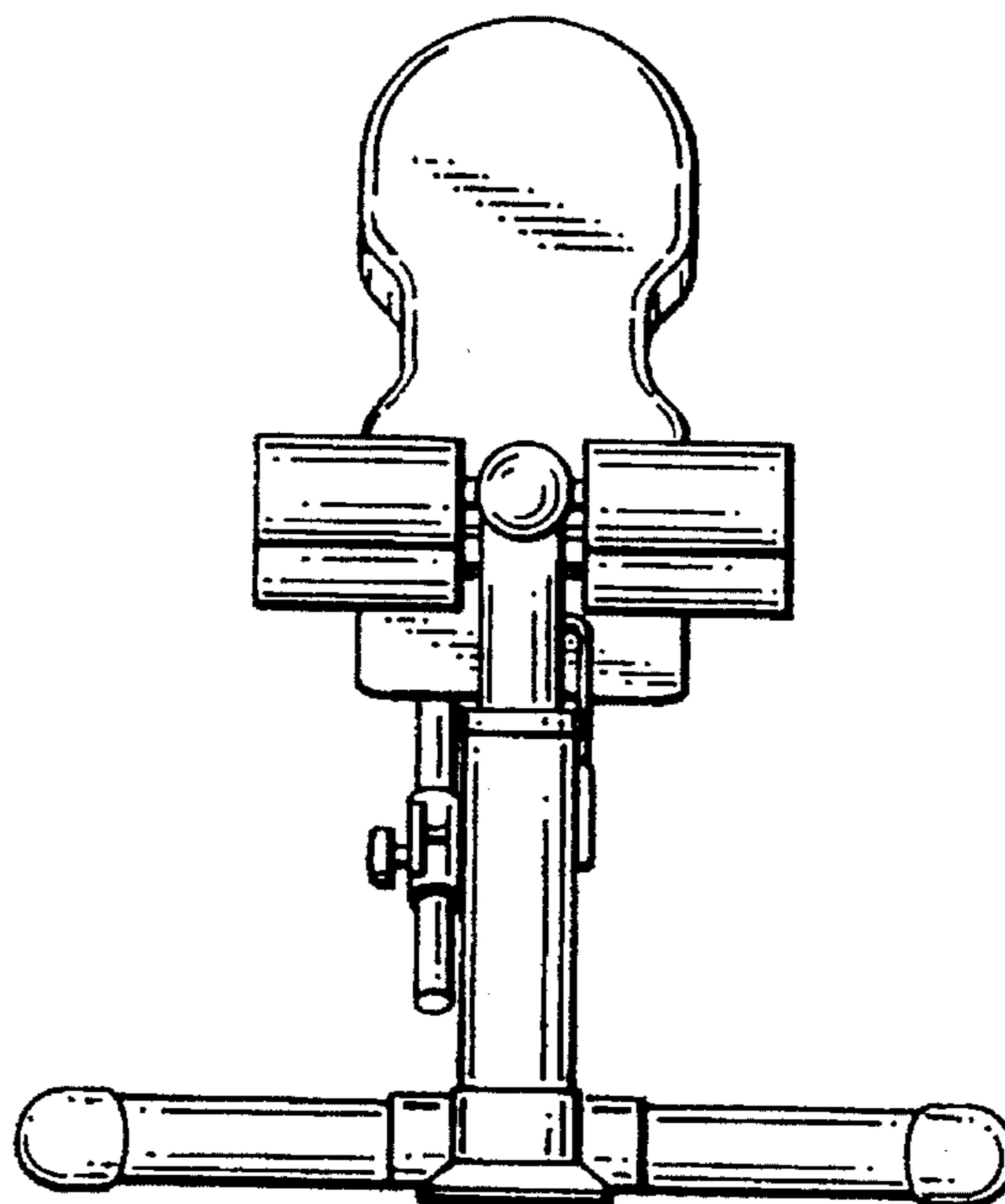
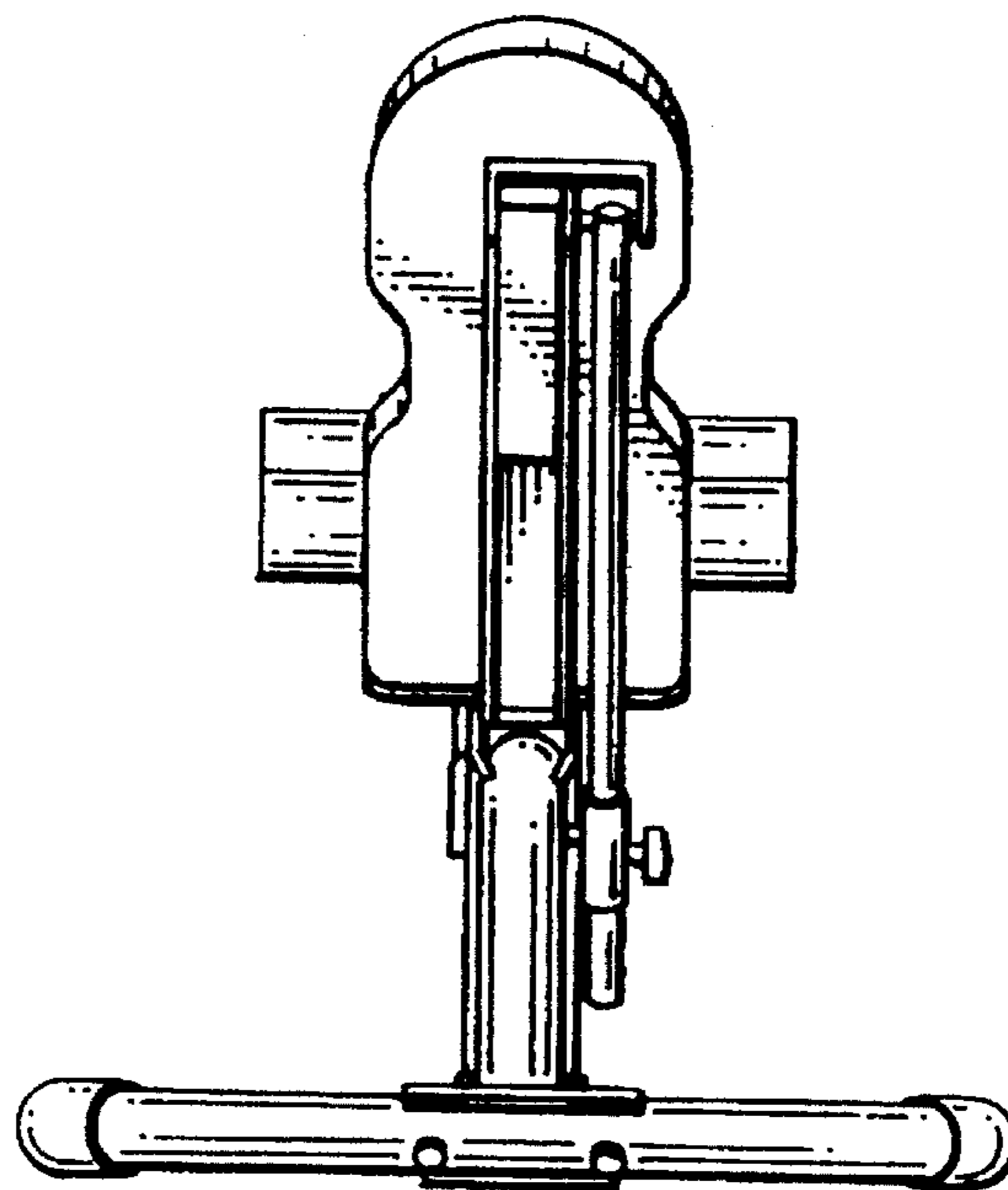


FIG. 6



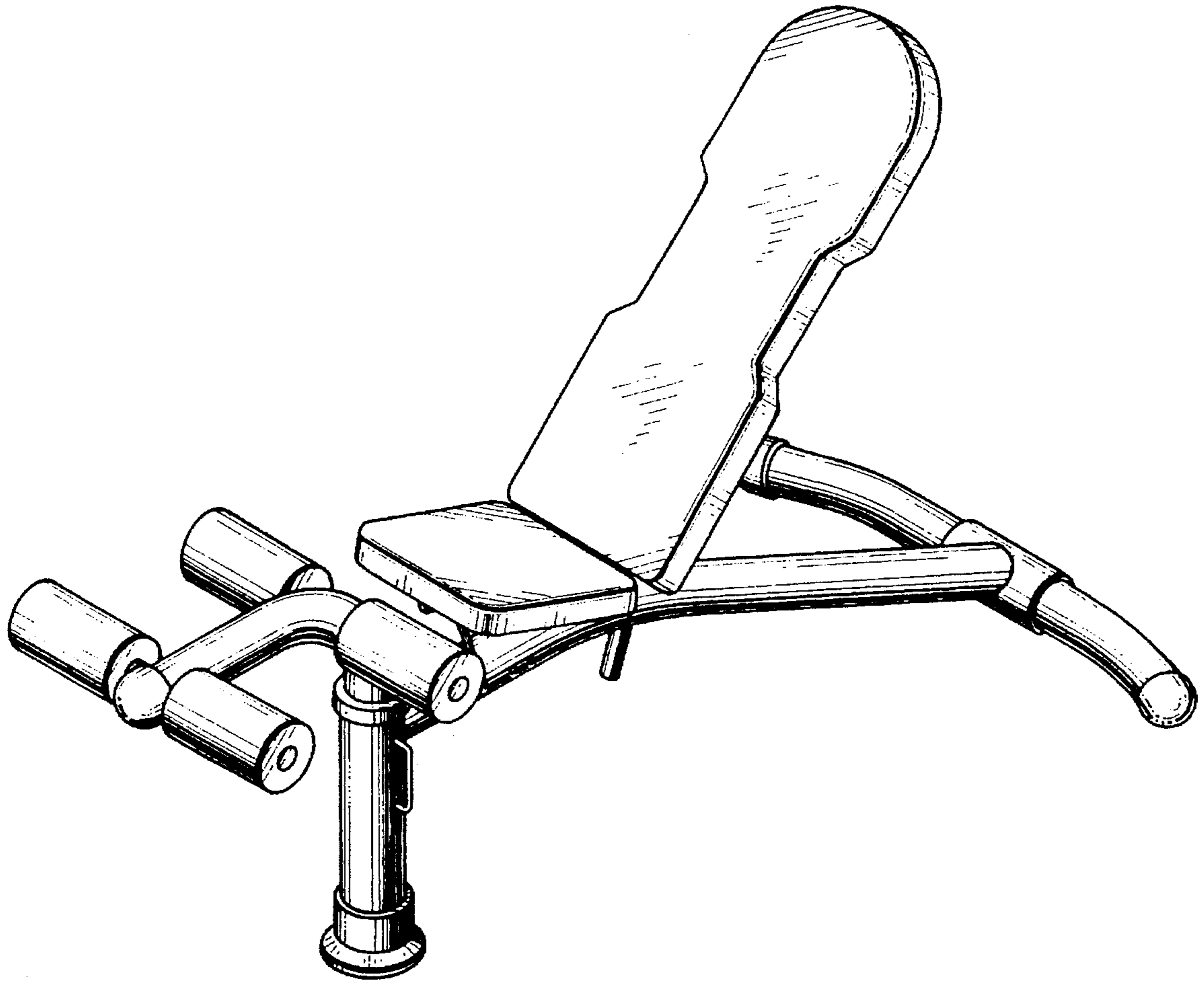


FIG. 7