



US00D366916S

# United States Patent [19] Clem

[11] **Patent Number: Des. 366,916**  
[45] **Date of Patent: \*\*Feb. 6, 1996**

[54] **WEIGHT BENCH**

[75] Inventor: **William E. Clem**, Bozeman, Mont.

[73] Assignee: **Tunturi, Inc.**, Redmond, Wash.

[\*\*] Term: **14 Years**

[21] Appl. No.: **28,862**

[22] Filed: **Sep. 23, 1994**

[52] U.S. Cl. .... **D21/191; D21/195**

[58] Field of Search ..... **D21/191, 195; 482/93, 94, 97, 123, 130, 138, 133, 134, 135**

[56] **References Cited**

**U.S. PATENT DOCUMENTS**

D. 357,957	5/1995	Hung	.....	D21/195
4,564,193	1/1986	Stewart	.....	482/138
4,598,908	7/1986	Morgan	.....	482/94
4,804,179	2/1989	Murphy et al.	.....	482/138
5,310,394	5/1994	Kallios	.....	482/104

**OTHER PUBLICATIONS**

Service Merchandise Catalog, 1993, p. 496, Benches 1-5. Flyer concerning Weight Benches 7003, 7600, 6860, HS5900, HS5950 of Fine Fitness Industry Co., Ltd., Taiwan. Flyer concerning Weight Benches 15635, C500, C420, and D-120, of Weider. Flyer concerning Body Benches 12-1605, Magnum D342 Weight Bench, and others, of Diversity Products Corp.

Flyer concerning Sit-Up Bench GL-667 of Gan Lucky Industrial Co. Ltd., Taiwan.

Flyer concerning Sit-Up Bench SUB1742 and Sports Bench HG3000, of Active Sports Co., Ltd., Taiwan.

Flyer concerning Olympic Benches 910, 202, and 232 of BMI, Orange, CA.

Flyer concerning Weight Benches "XL", "V", 37536W, and others of Ajay.

Flyer concerning Benches 401, 402, and 502 of Atlas Fitness Equipment, Inc.

Flyer concerning Flat (Incline) Decline Bench FW-FID of Fitness Products, Inc.

*Primary Examiner*—Ted Shooman

*Assistant Examiner*—Philip Hyder

*Attorney, Agent, or Firm*—Graybeal Jackson Haley & Johnson

[57] **CLAIM**

The ornamental design for a weight bench, as shown.

**DESCRIPTION**

FIG. 1 is a top plan view, showing my new design; FIG. 2 is a bottom plan view thereof; FIG. 3 is a left side elevational view thereof; FIG. 4 is a right side elevational view thereof; FIG. 5 is a front elevational view thereof; FIG. 6 is a rear elevational view thereof; and, FIG. 7 is a perspective view thereof.

**1 Claim, 4 Drawing Sheets**

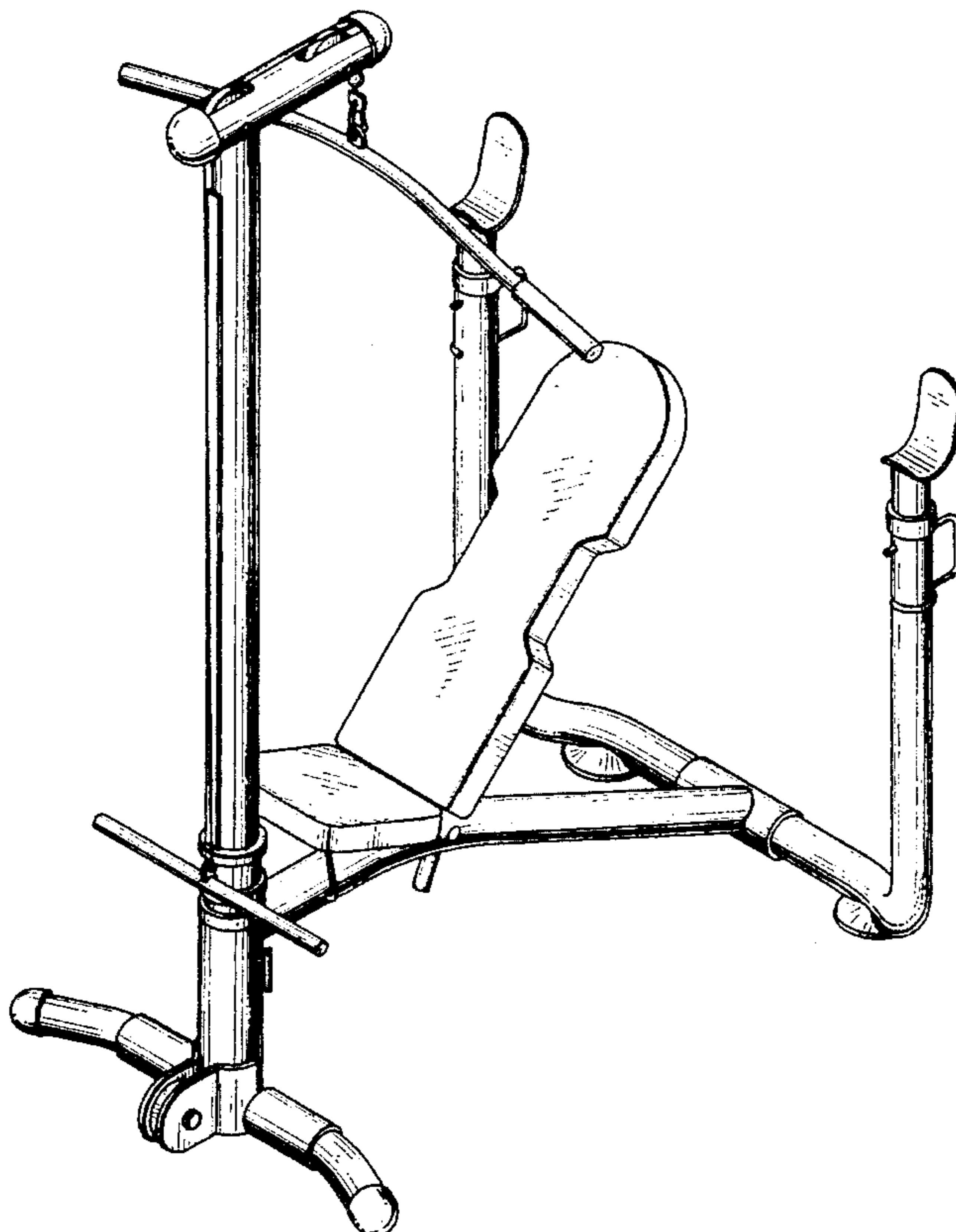


FIG. 1

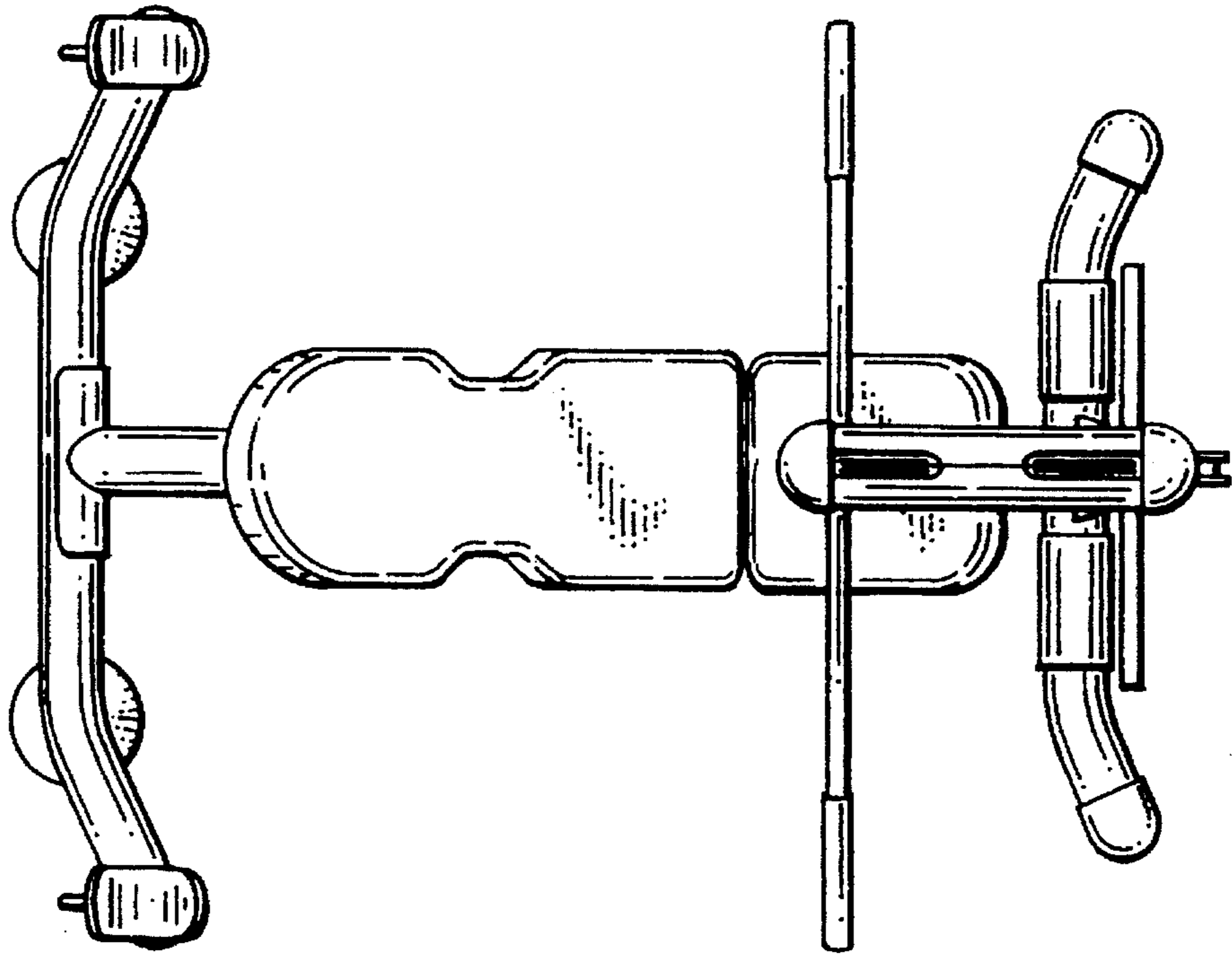
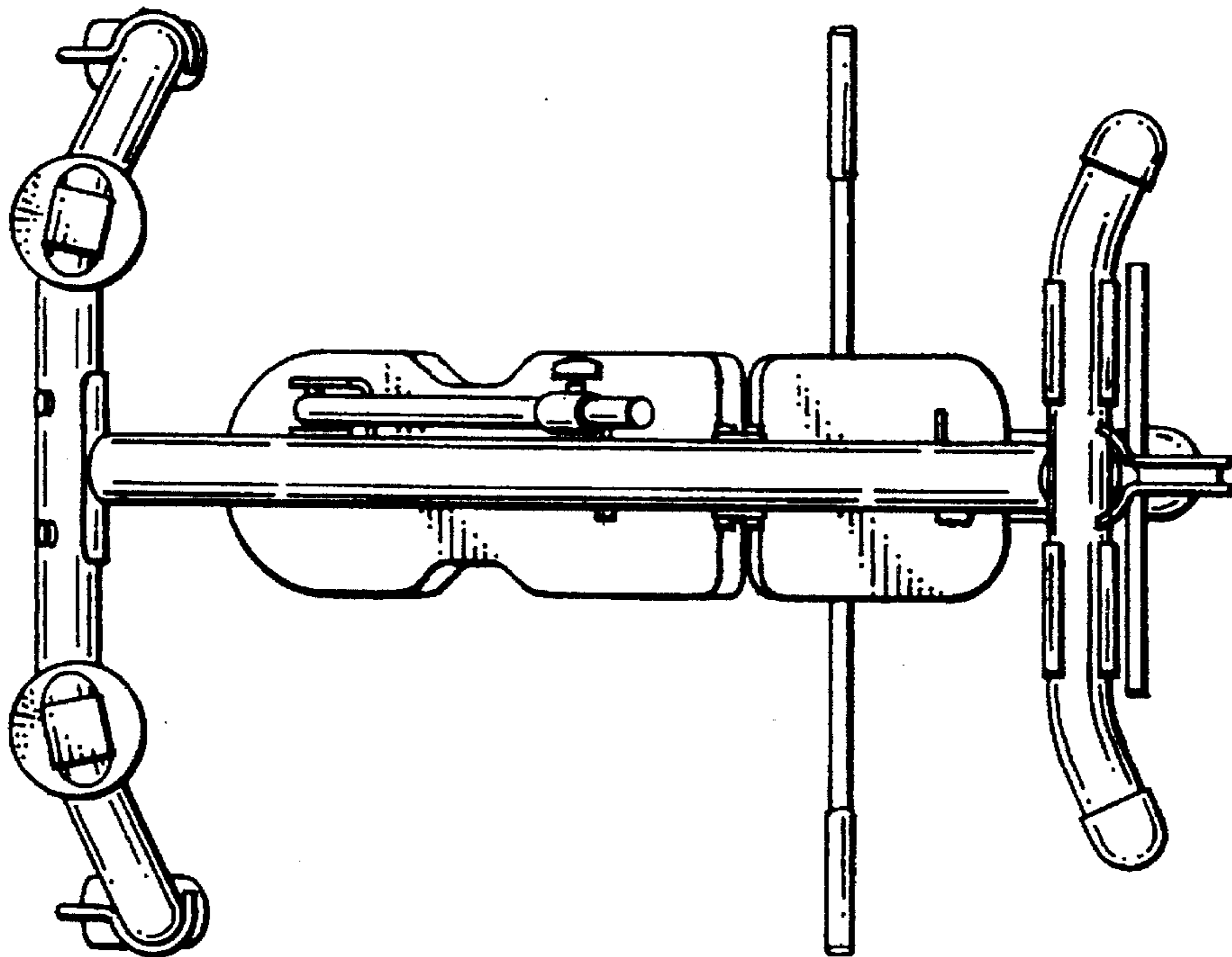


FIG. 2



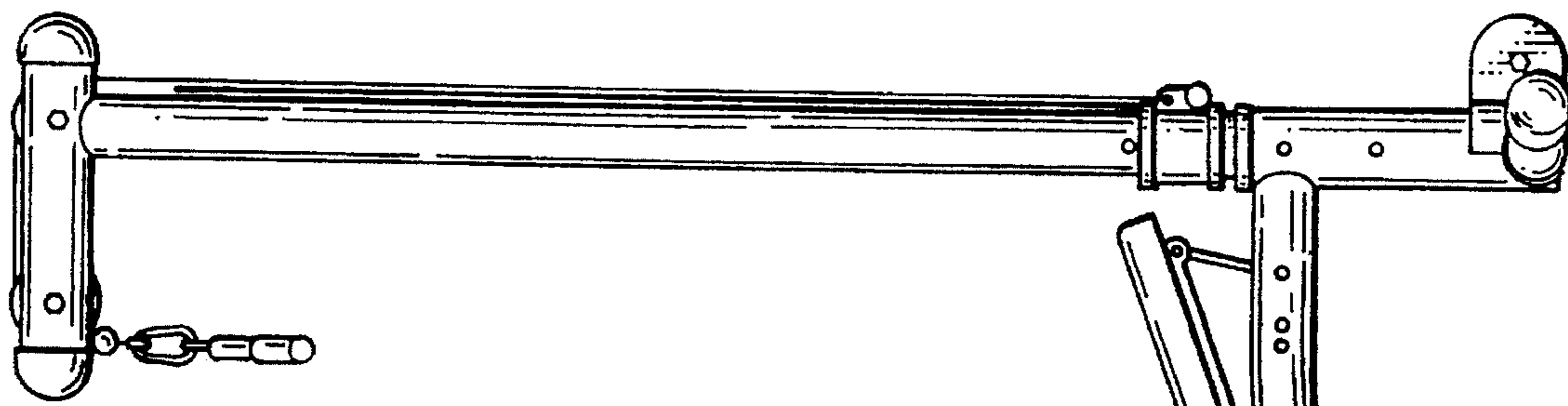


FIG. 4

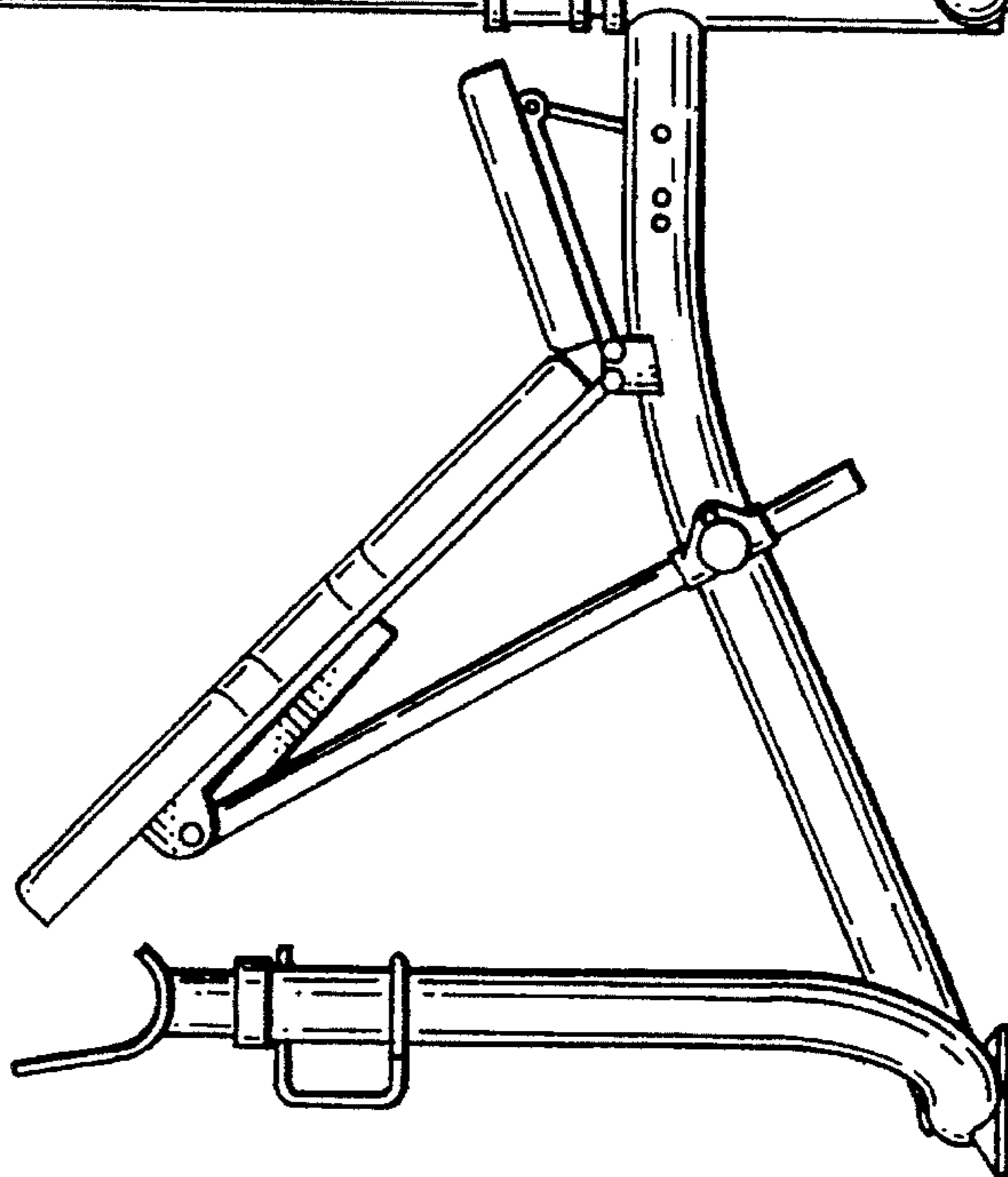


FIG. 3

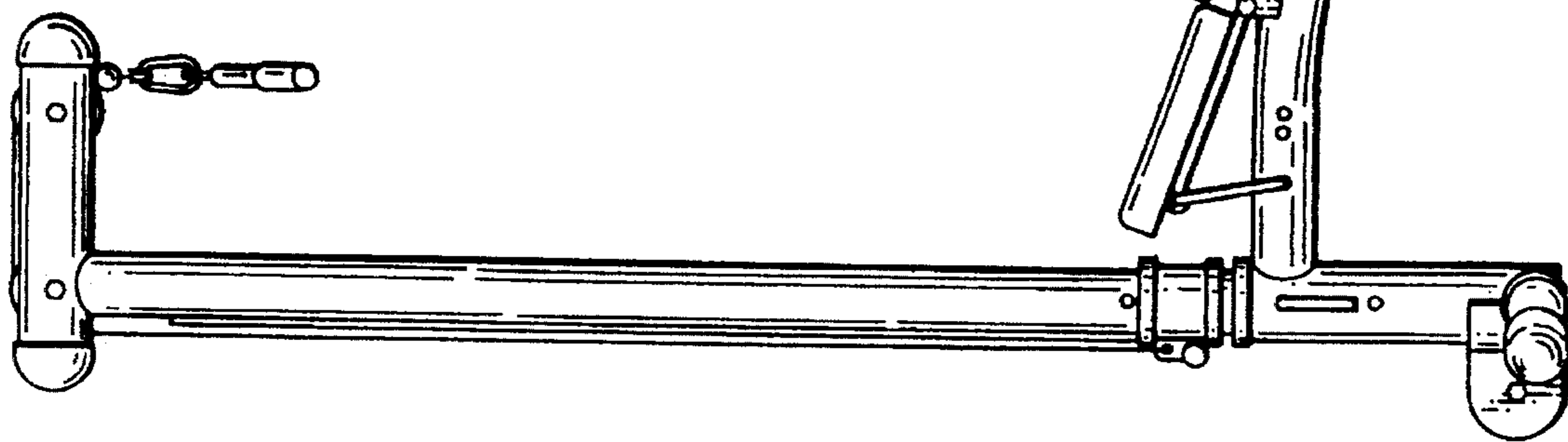
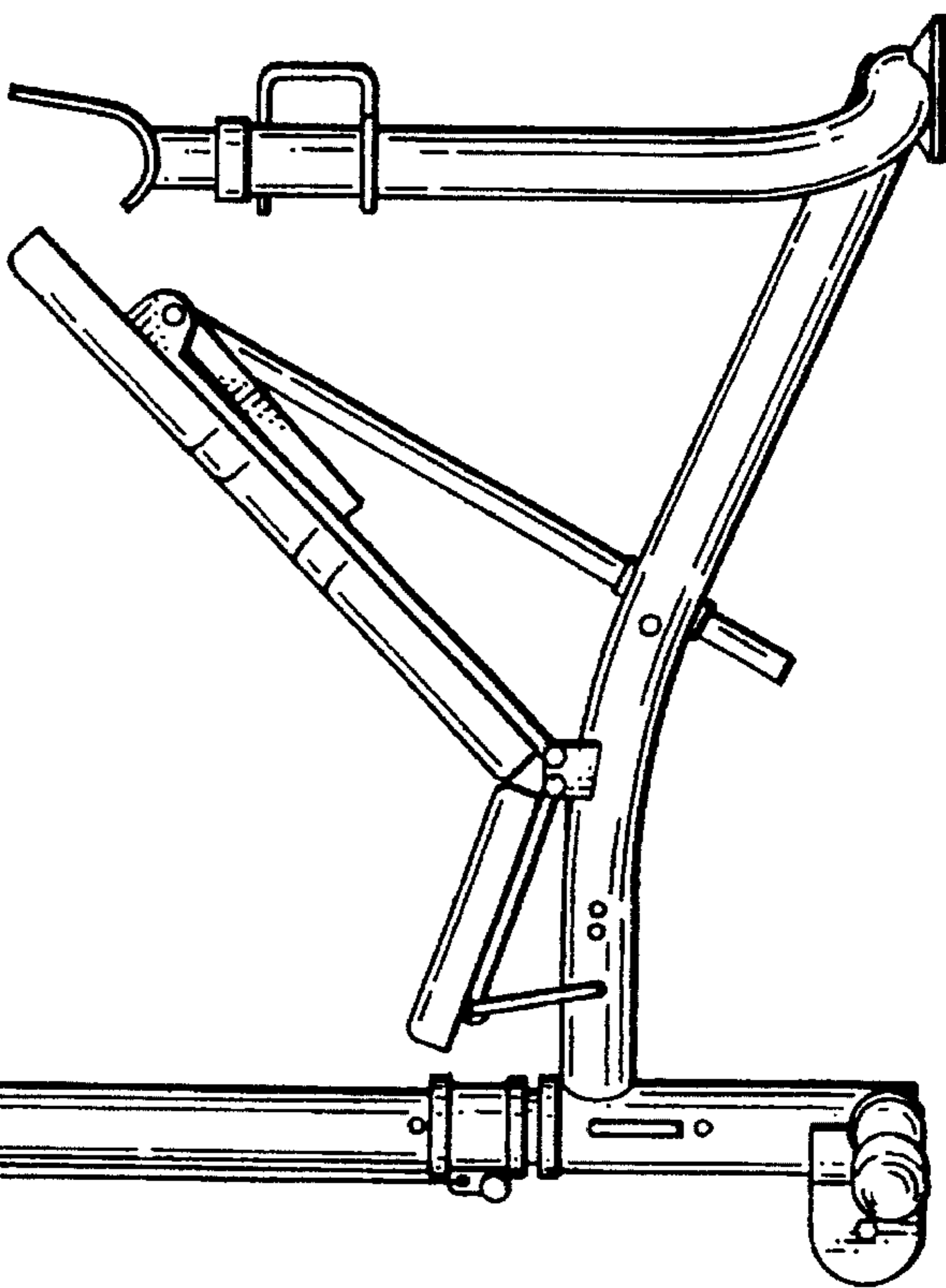


FIG. 6

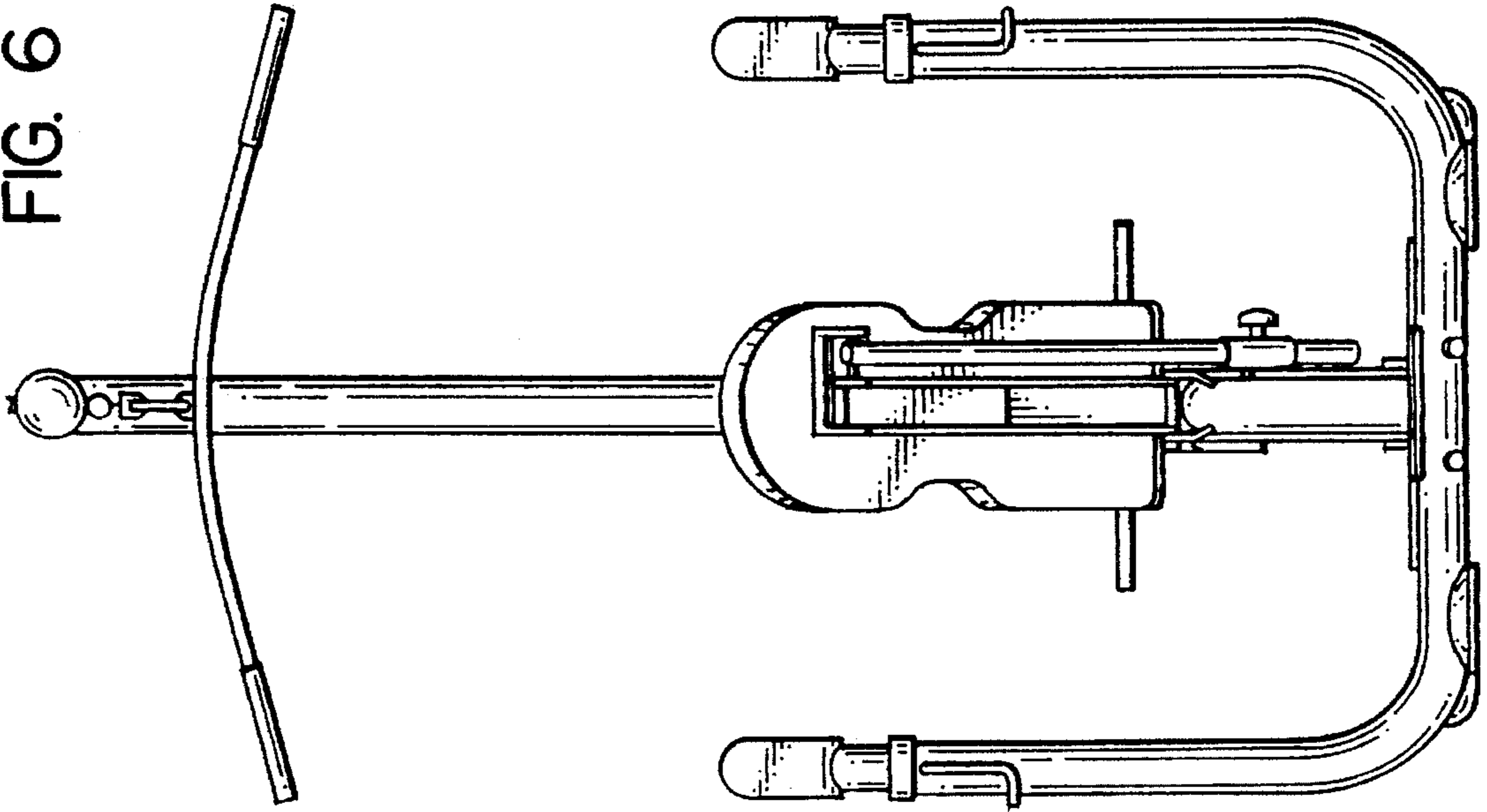
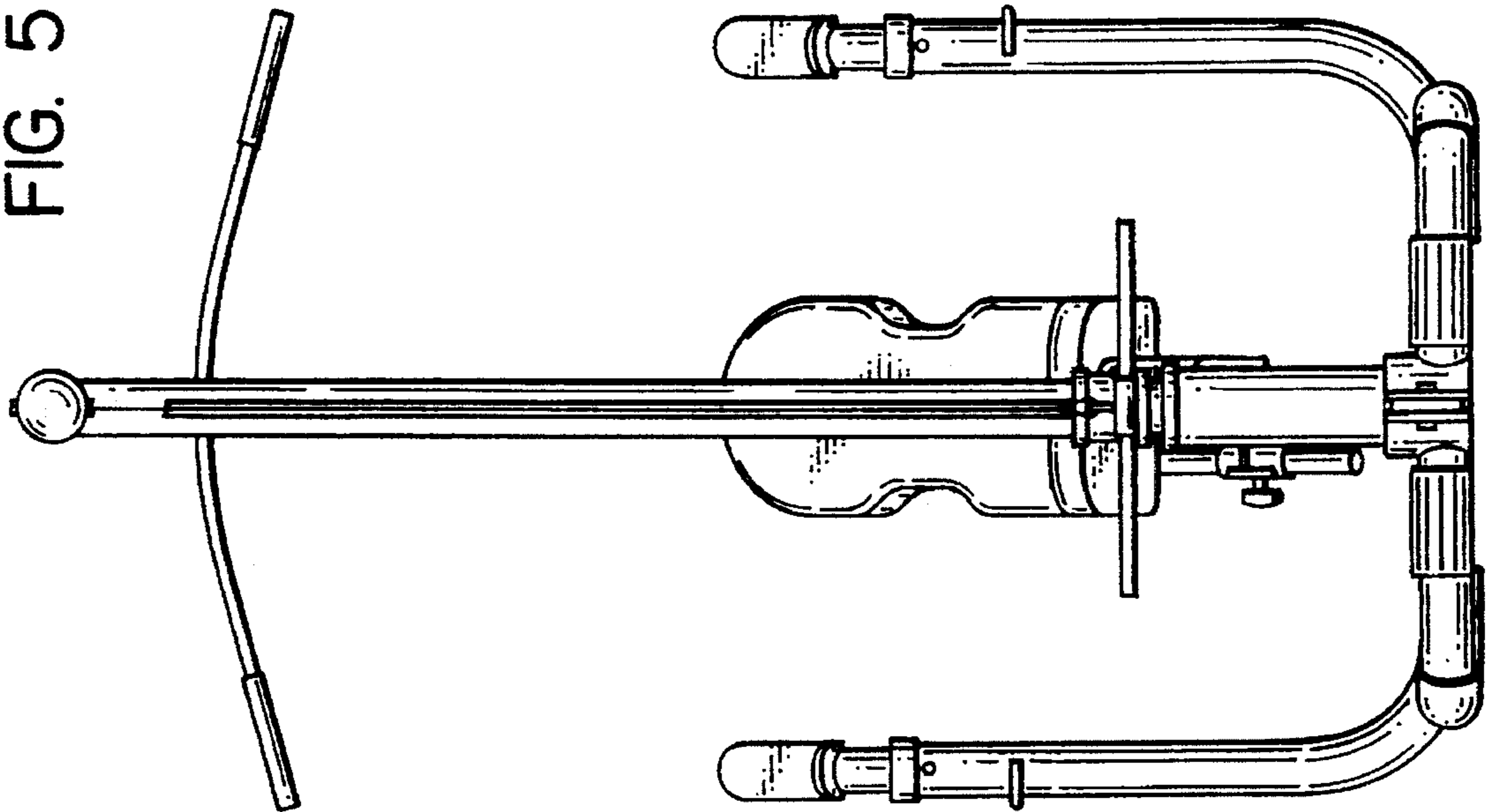


FIG. 5



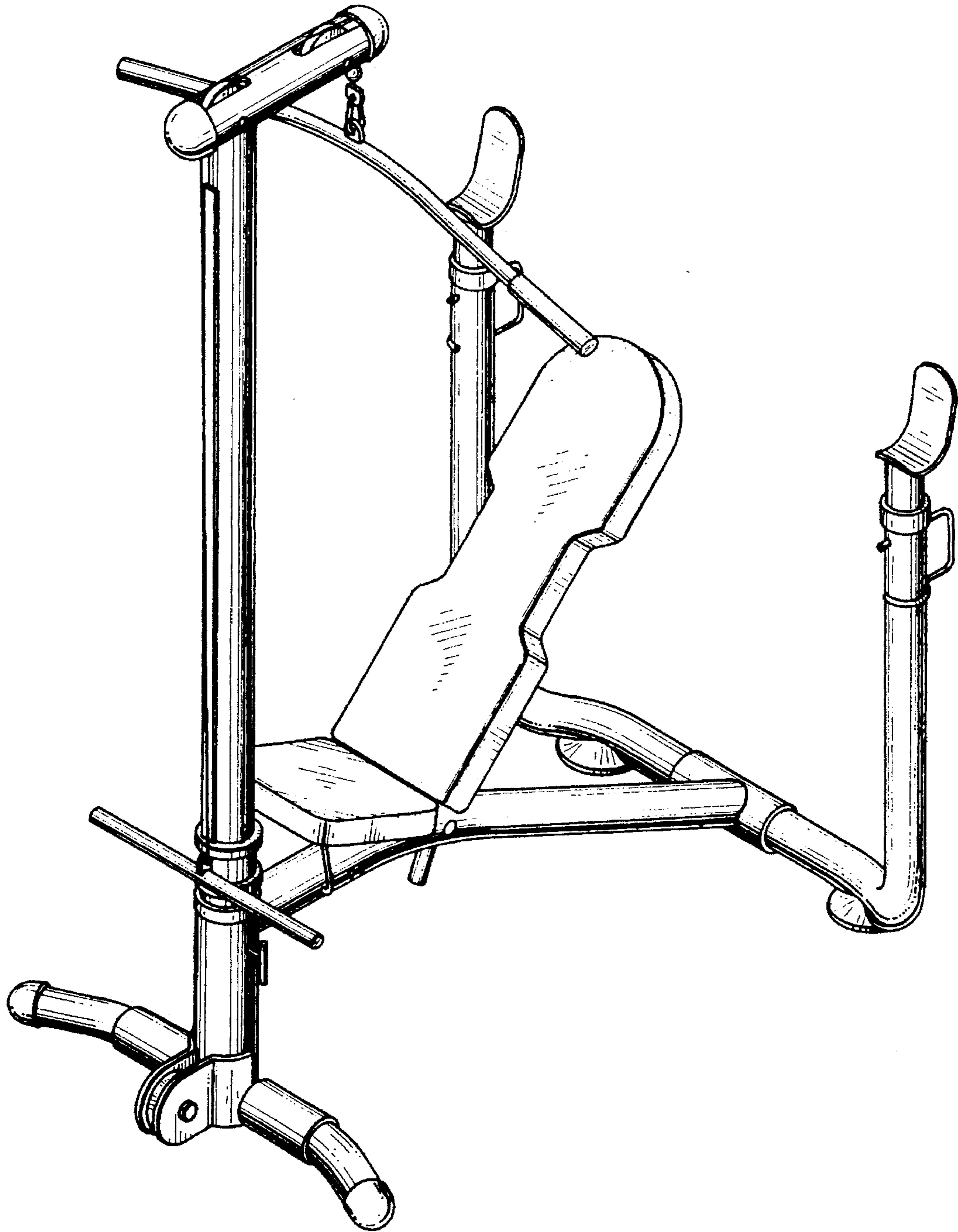


FIG. 7