



US00D366915S

United States Patent [19]
Clem

[11] **Patent Number: Des. 366,915**

[45] **Date of Patent: **Feb. 6, 1996**

[54] **WEIGHT BENCH**

[75] Inventor: **William E. Clem**, Bozeman, Mont.

[73] Assignee: **Tunturi, Inc.**, Redmond, Wash.

[**] Term: **14 Years**

[21] Appl. No.: **28,863**

[22] Filed: **Sep. 23, 1994**

[52] **U.S. Cl.** **D21/191; D21/195**

[58] **Field of Search** **D21/191, 193, D21/194, 195; 482/93, 94, 95, 104, 133, 135, 137, 140, 142**

[56] **References Cited**

U.S. PATENT DOCUMENTS

D. 284,297	6/1986	Mahnke	D21/195
D. 327,719	7/1992	Towley, III et al.	D21/191
4,749,190	6/1988	Jennings	482/104
4,765,616	8/1988	Wolff	482/104
4,861,024	8/1989	Lee	482/104
5,069,447	12/1991	Snyderman et al.	482/133
5,290,213	3/1994	Sheikowitz	482/104
5,348,523	9/1994	Blount	482/104
5,350,346	9/1994	Martinez	482/104

OTHER PUBLICATIONS

Service Merchandise Catalog, 1993, p. 496, Weight Benches.

Flyer concerning Weight Benches 7003, 7600, 6860, HS5900, HS5950 of Fine Fitness Industry Co., Ltd. Taiwan.

Flyer concerning Weight Benches 15635, C500, C420, and

D-120, of Weider.

Flyer concerning Body Benches 12-1605, Magnum D342 Weight Bench, and others, of Diversity Products Corp.

Flyer concerning Sit-Up Bench GL-667 of Gan Lucky Industrial Co. Ltd., Taiwan.

Flyer concerning Sit-Up Bench SUB1742 and Sports Bench HG3000, of Active Sports Co., Ltd., Taiwan.

Flyer concerning Olympic Benches 910, 202, and 232 of BMI, Orange, CA.

Flyer concerning Weight Benches "XL", "V", 37536W, and others of Ajay.

Flyer concerning Benches 401, 402, and 502 of Atlas Fitness Equipment, Inc.

Flyer concerning Flat (Incline) Decline Bench FW-FID of Fitness Products, Inc.

Primary Examiner—Ted Shooman

Assistant Examiner—Philip Hyder

Attorney, Agent, or Firm—Graybeal Jackson Haley & Johnson

[57] **CLAIM**

The ornamental design for a weight bench, as shown.

DESCRIPTION

FIG. 1 is a top plan view, showing my new design;

FIG. 2 is a bottom plan view thereof;

FIG. 3 is a left side elevational view thereof;

FIG. 4 is a right side elevational view thereof;

FIG. 5 is a front elevational view thereof;

FIG. 6 is a rear elevational view thereof; and,

FIG. 7 is a perspective view thereof.

1 Claim, 4 Drawing Sheets

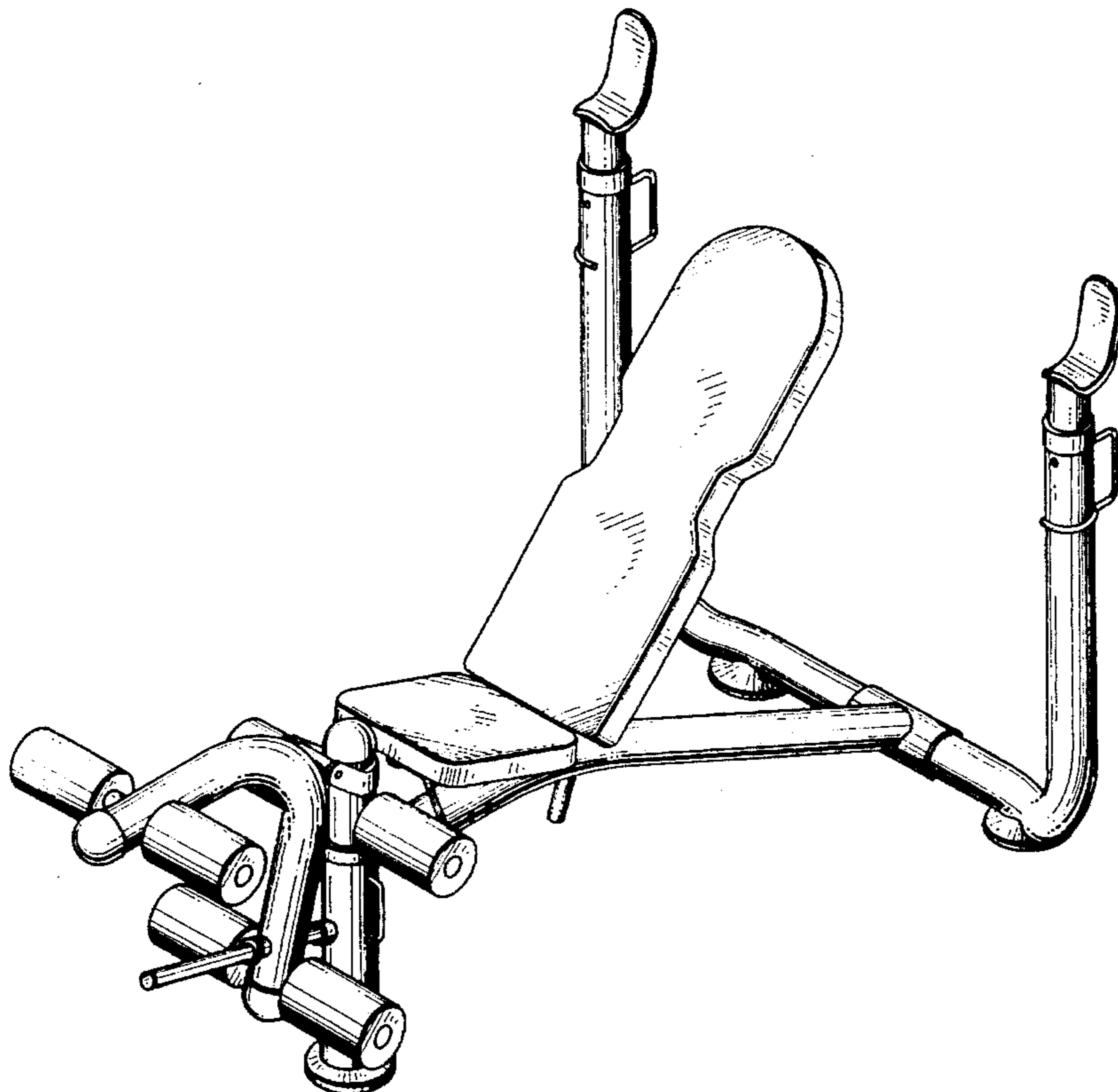


FIG. 1

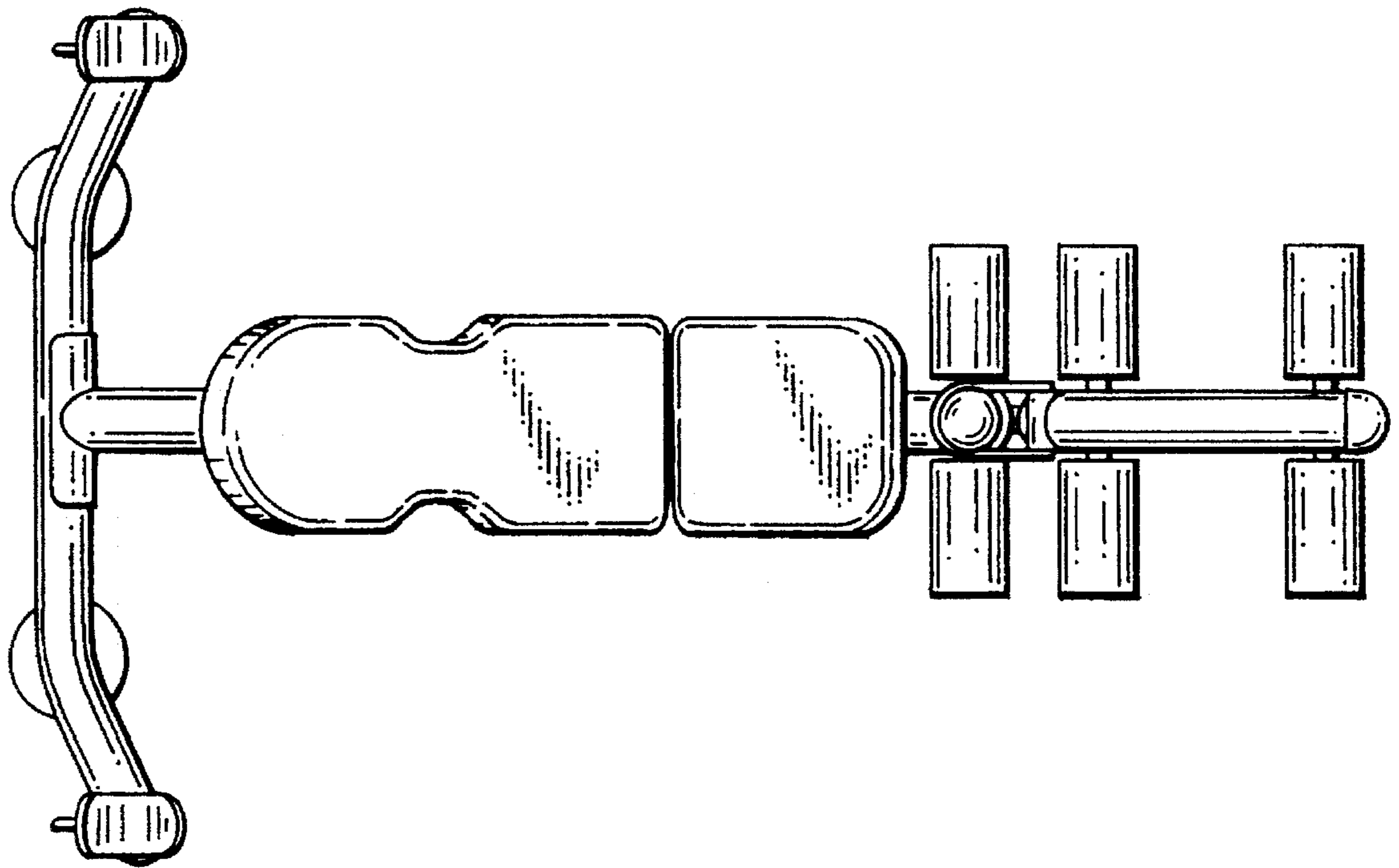


FIG. 2

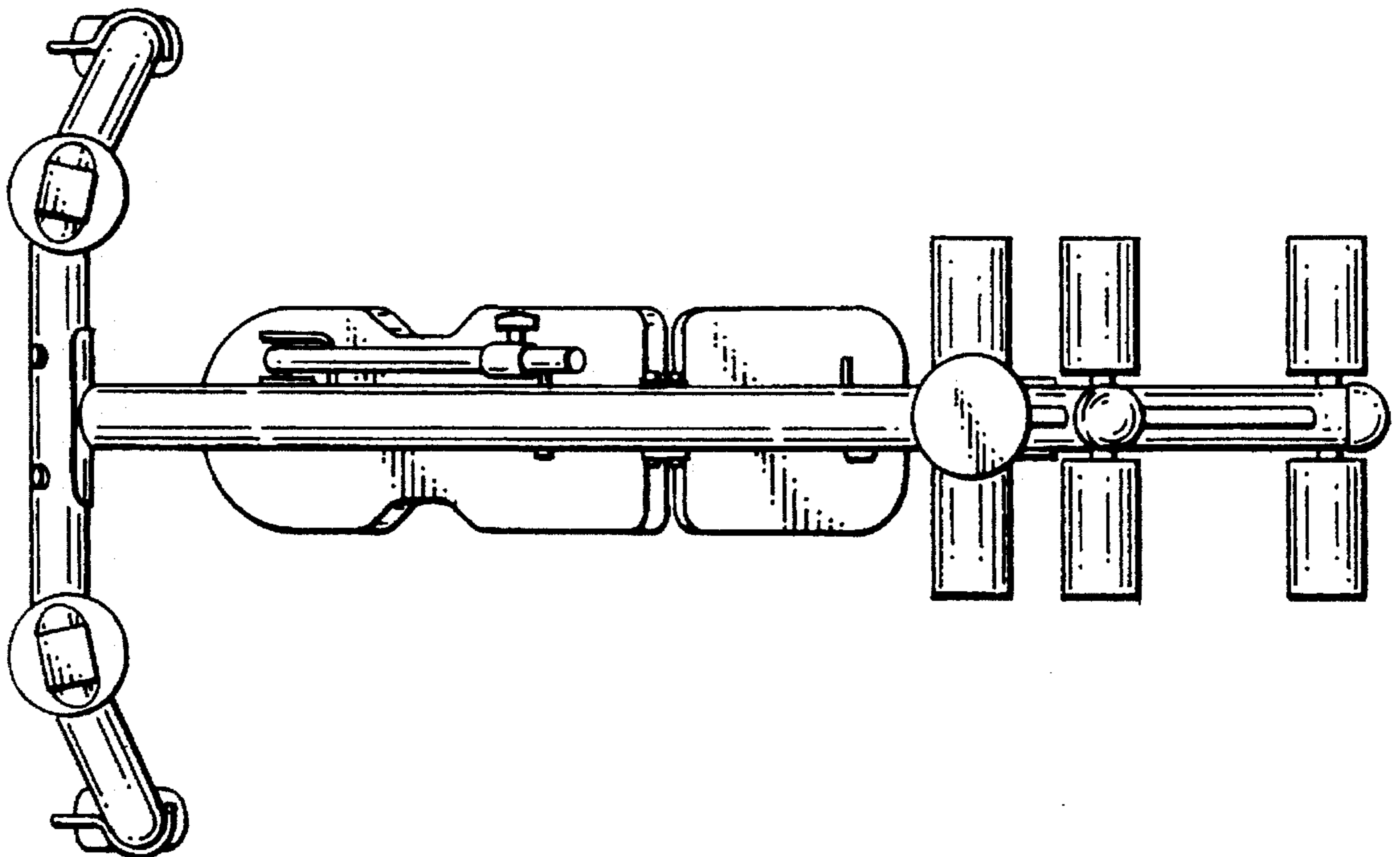


FIG. 3

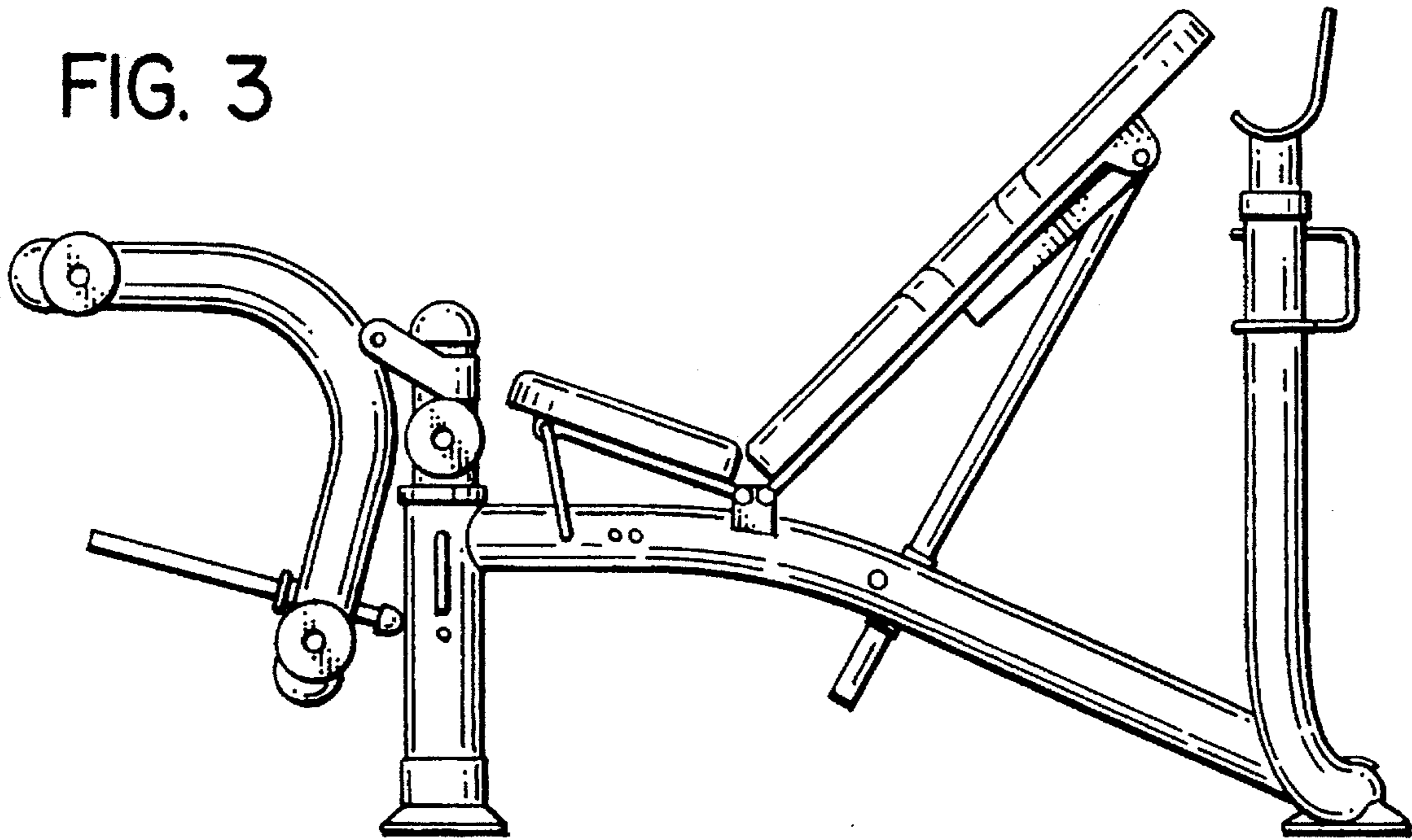


FIG. 4

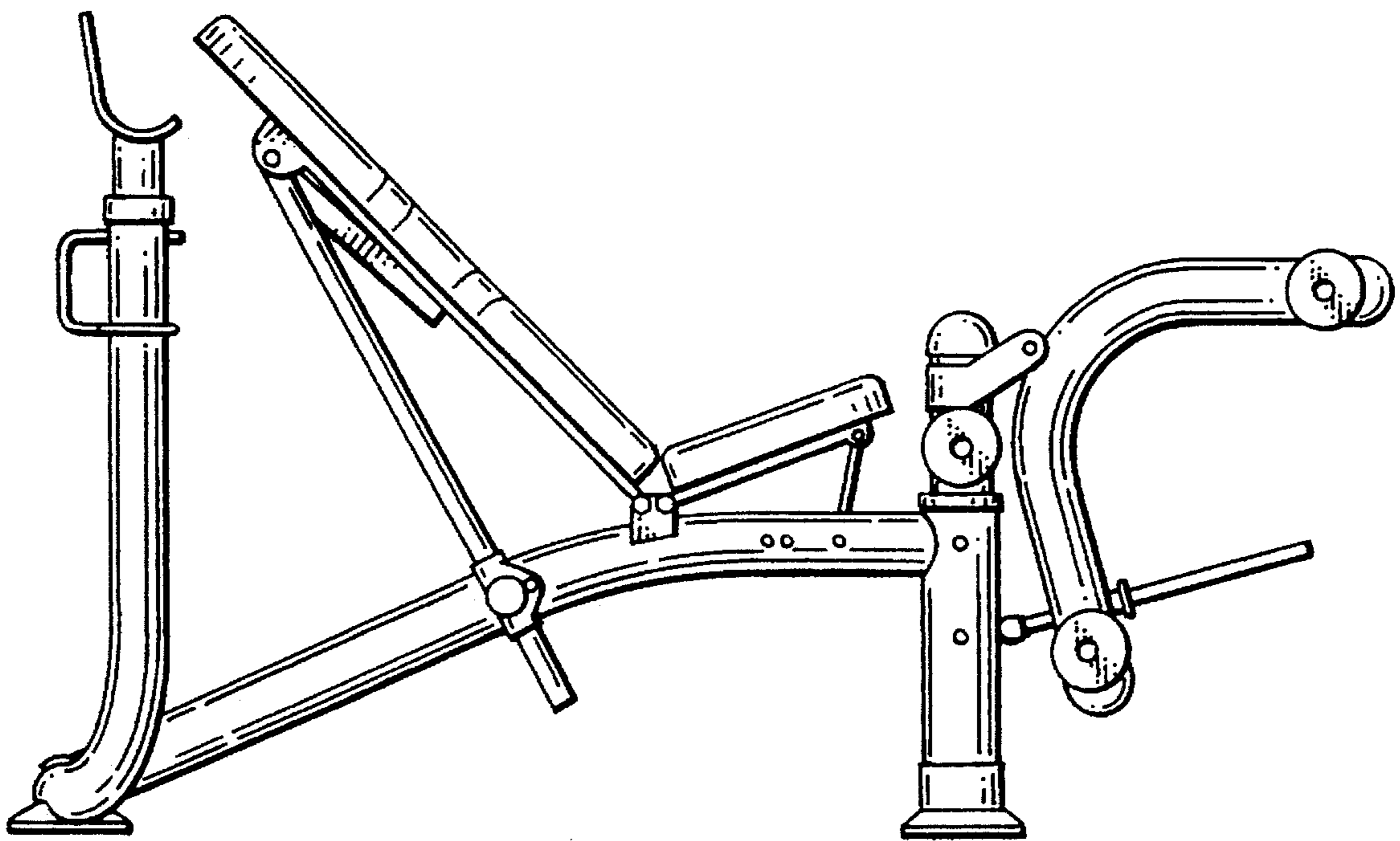


FIG. 5

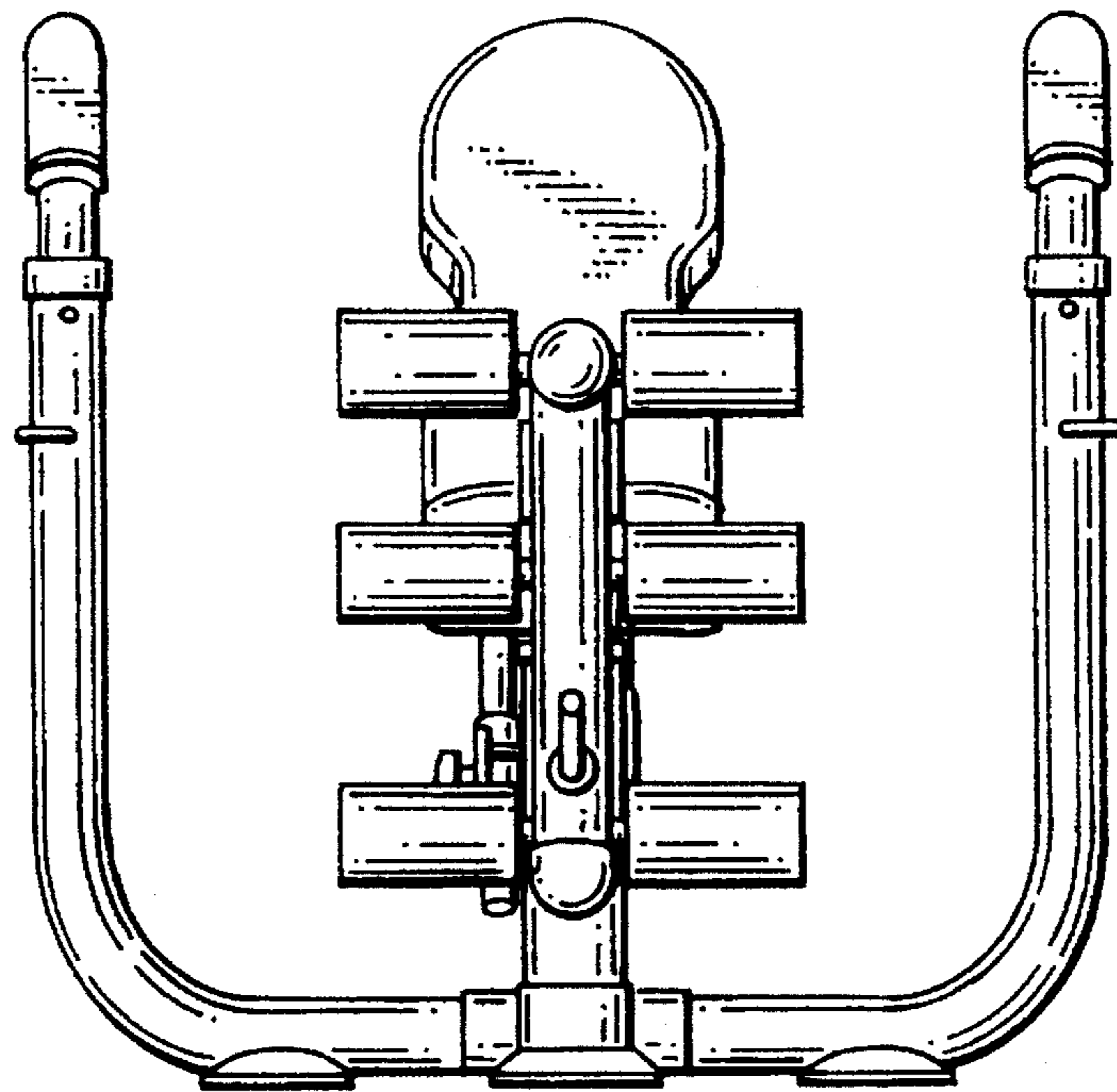
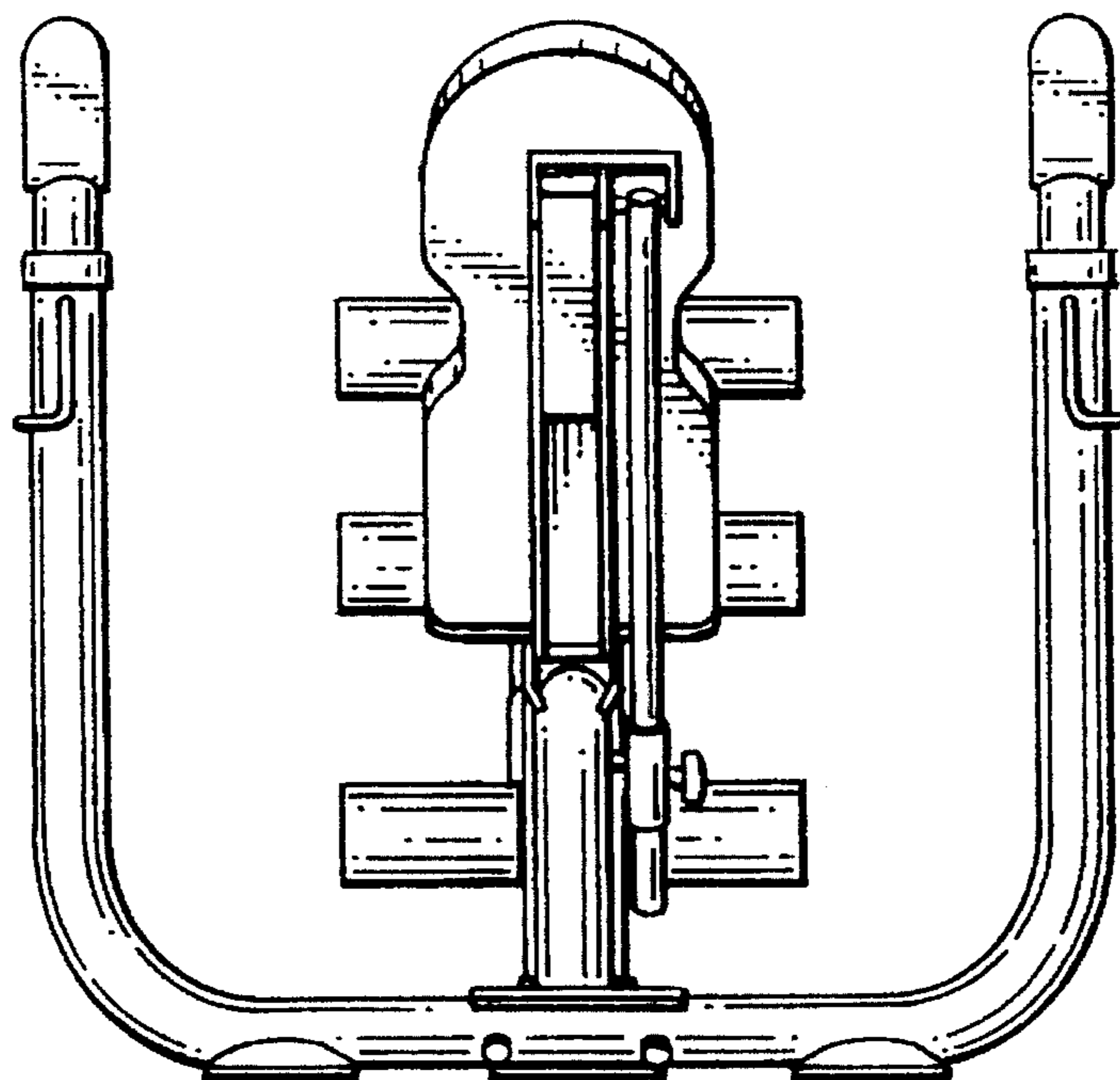


FIG. 6



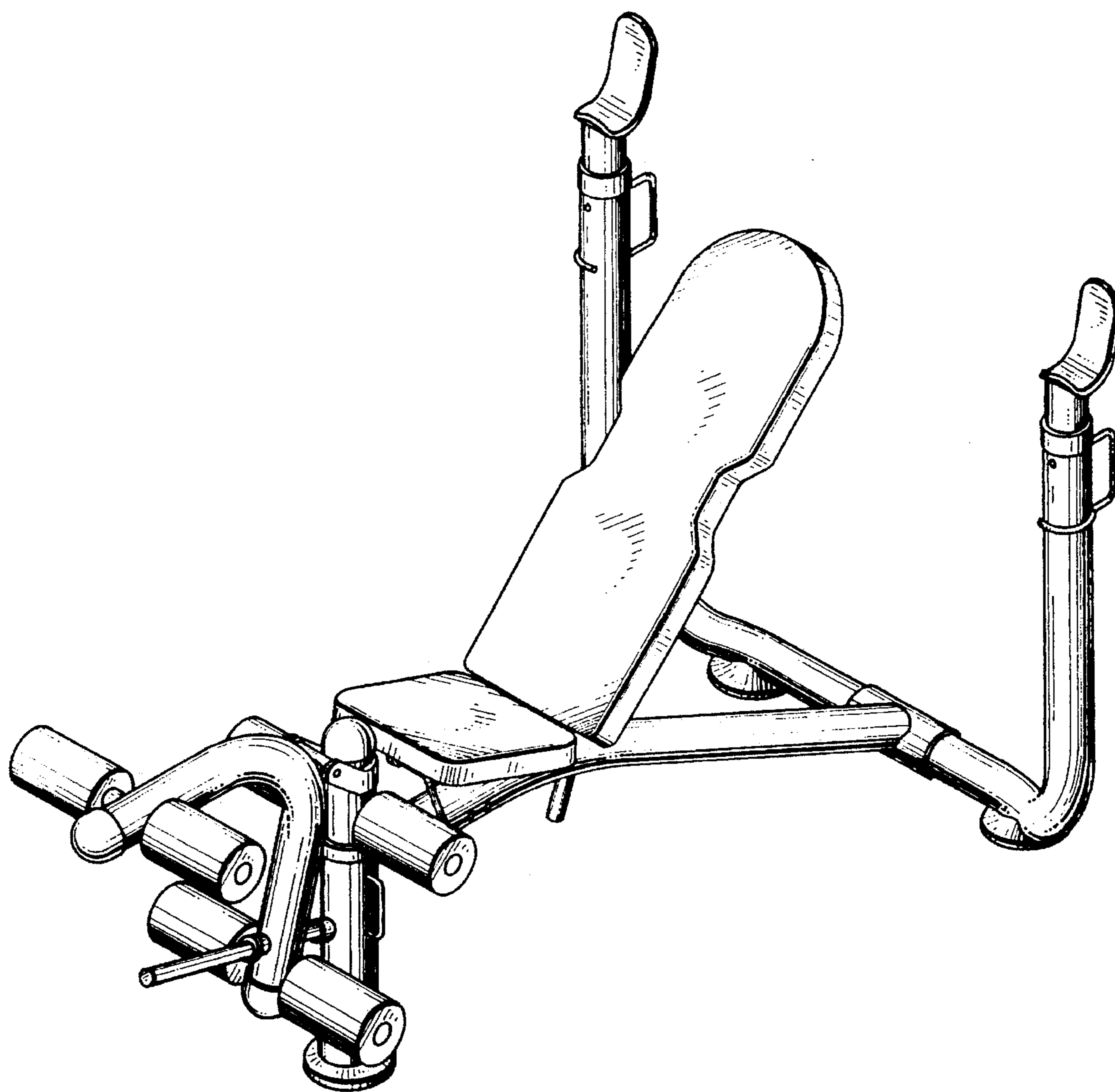


FIG. 7