



US00D366914S

United States Patent [19]
Frederiksen

[11] **Patent Number: Des. 366,914**

[45] **Date of Patent: **Feb. 6, 1996**

[54] **TOY BUILDING ELEMENT**

p. 20.

[75] Inventor: **Jesper B. Frederiksen**, Nykøbing, Denmark

Primary Examiner—Ted Shooman
Assistant Examiner—R. Barkai
Attorney, Agent, or Firm—Kane, Dalsimer, Sullivan, Kurucz, Levy, Eisele and Richard

[73] Assignee: **Interlego AG**, Baar, Switzerland

[**] Term: **14 Years**

[21] Appl. No.: **29,148**

[57] **CLAIM**

The ornamental design for a toy building element, as shown and described.

[22] Filed: **Sep. 29, 1994**

[52] U.S. Cl. **D21/108**

[58] Field of Search D21/108, 59; 446/93, 446/95, 97, 100, 121, 125, 128

DESCRIPTION

[56] **References Cited**

U.S. PATENT DOCUMENTS

D. 266,101	9/1982	Grubb et al.	D21/108
D. 284,393	6/1986	Kassai	D21/108
D. 308,706	6/1990	Mikkelsen	D21/108
D. 325,605	4/1992	Holmstrom	D21/108
3,005,282	10/1961	Christiansen	446/128
4,992,069	2/1991	Bolli et al.	446/128

FIG. 1 is a top perspective view of the toy building element showing my new design;

FIG. 2 is a bottom perspective view thereof;

FIG. 3 is a front elevational view thereof, the rear side being identical;

FIG. 4 is a left side elevational view thereof, the right side being identical;

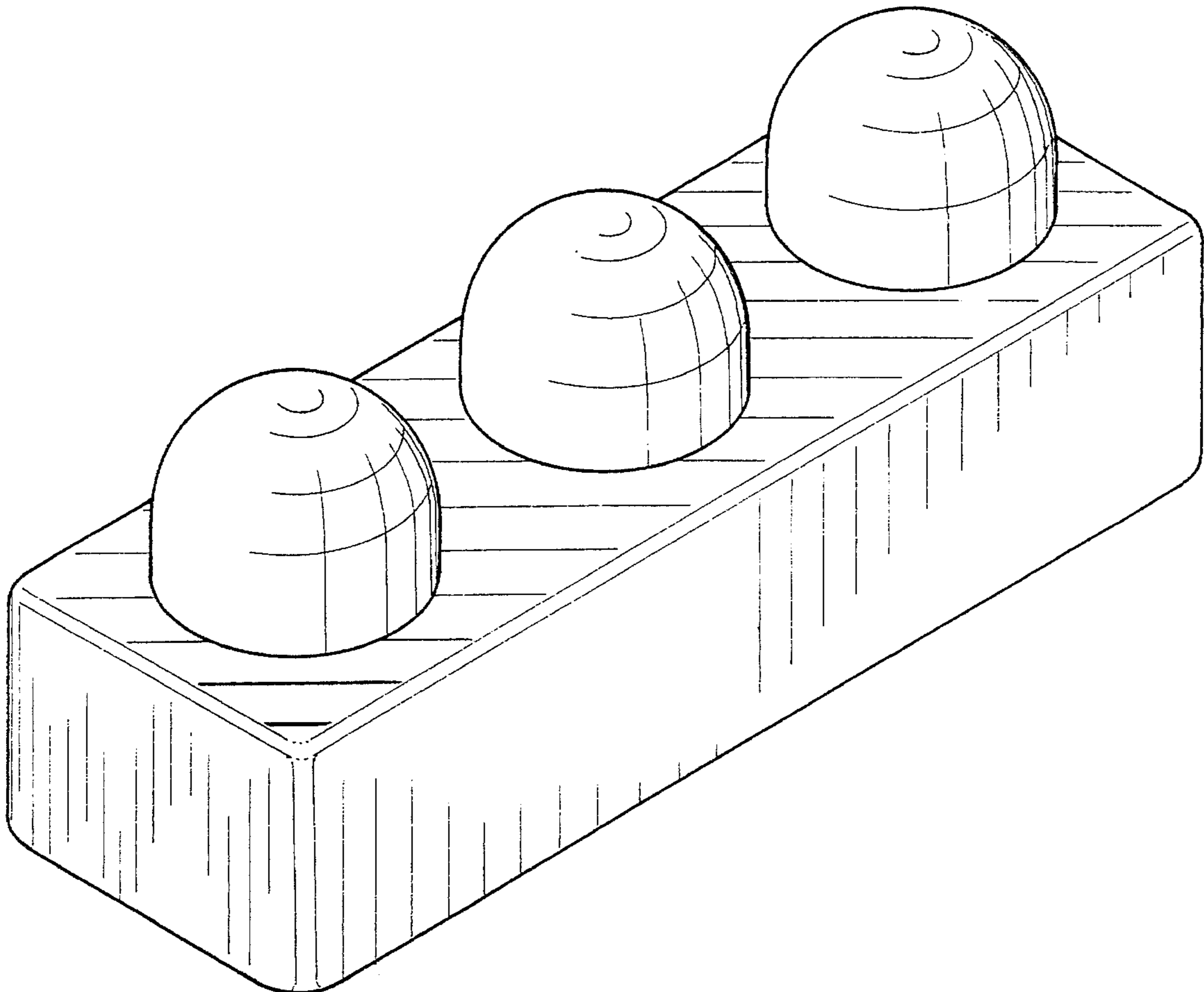
FIG. 5 is a bottom plan view thereof; and,

FIG. 6 is a top plan view thereof.

OTHER PUBLICATIONS

Derwent publications 1985.
Childcraft, p. 29 "Gears" top right of page.
Constructive Playthings, summer 1992, "E" Fantasy Gears,

1 Claim, 4 Drawing Sheets



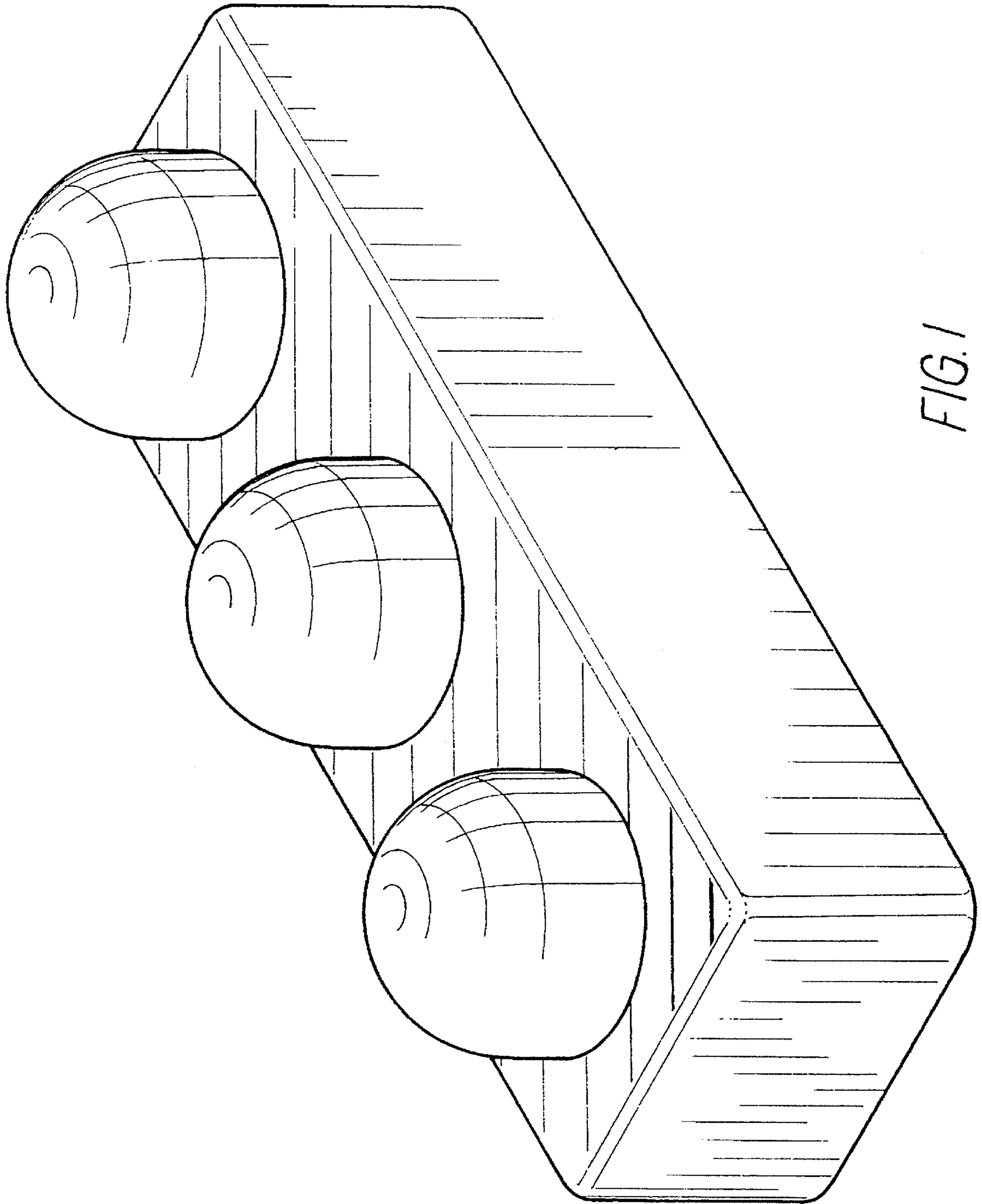


FIG. 1

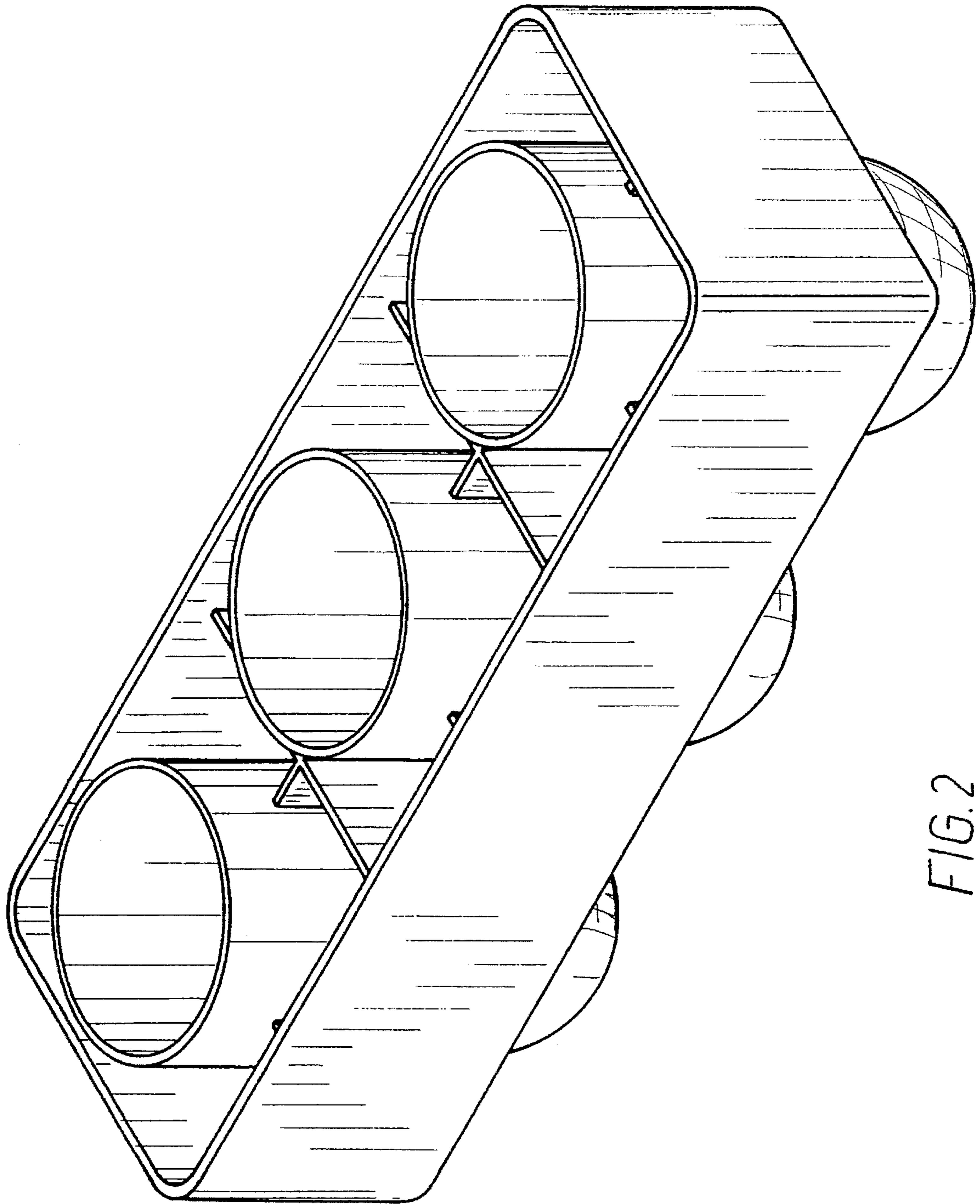


FIG. 2

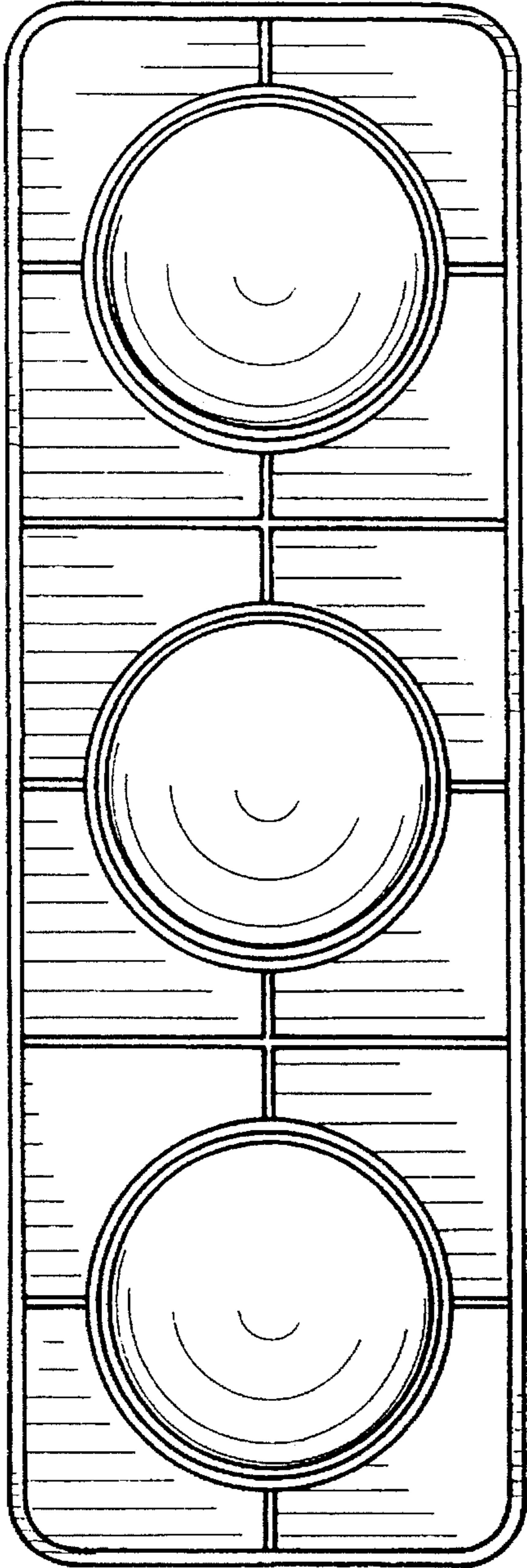


FIG. 5

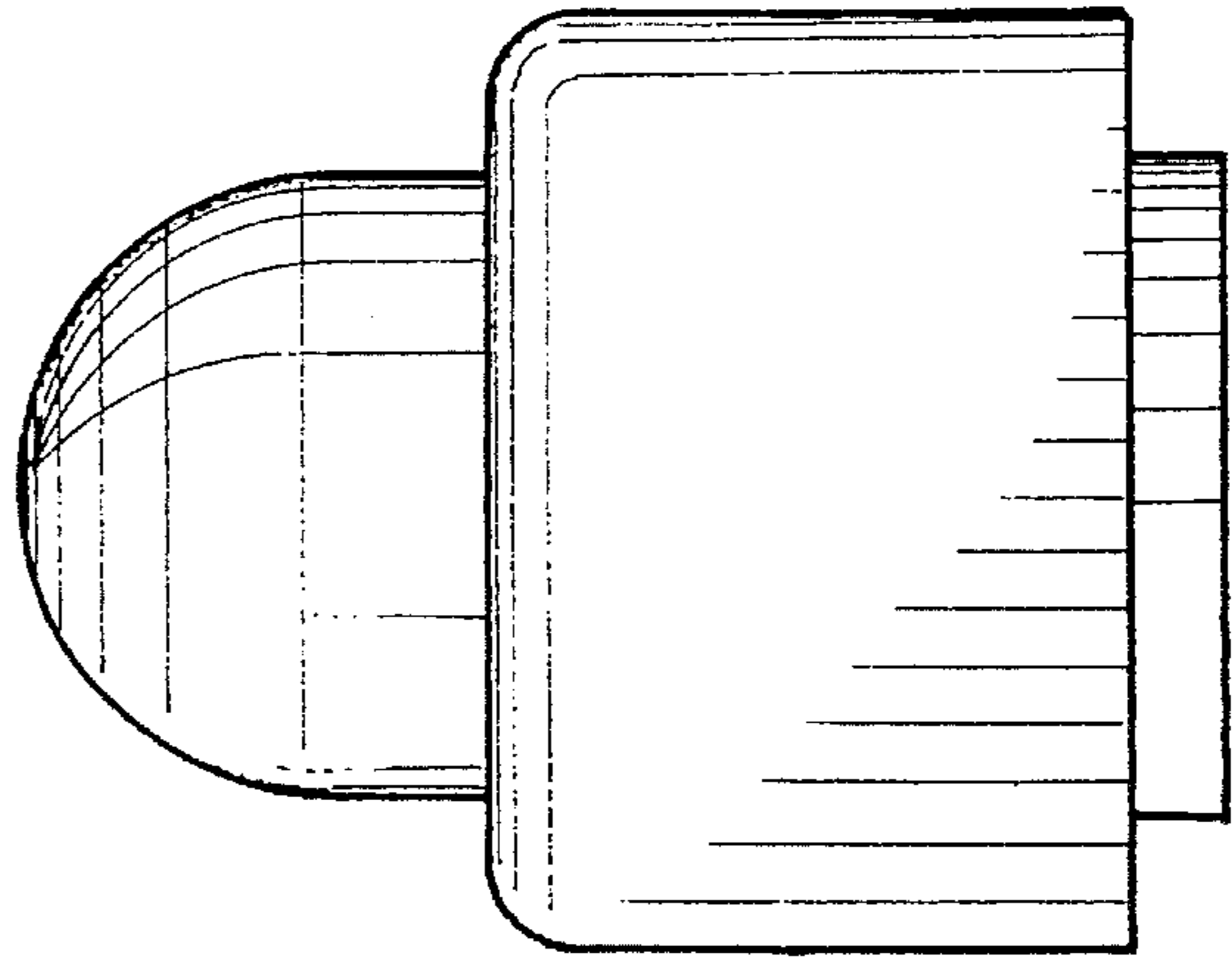


FIG. 3

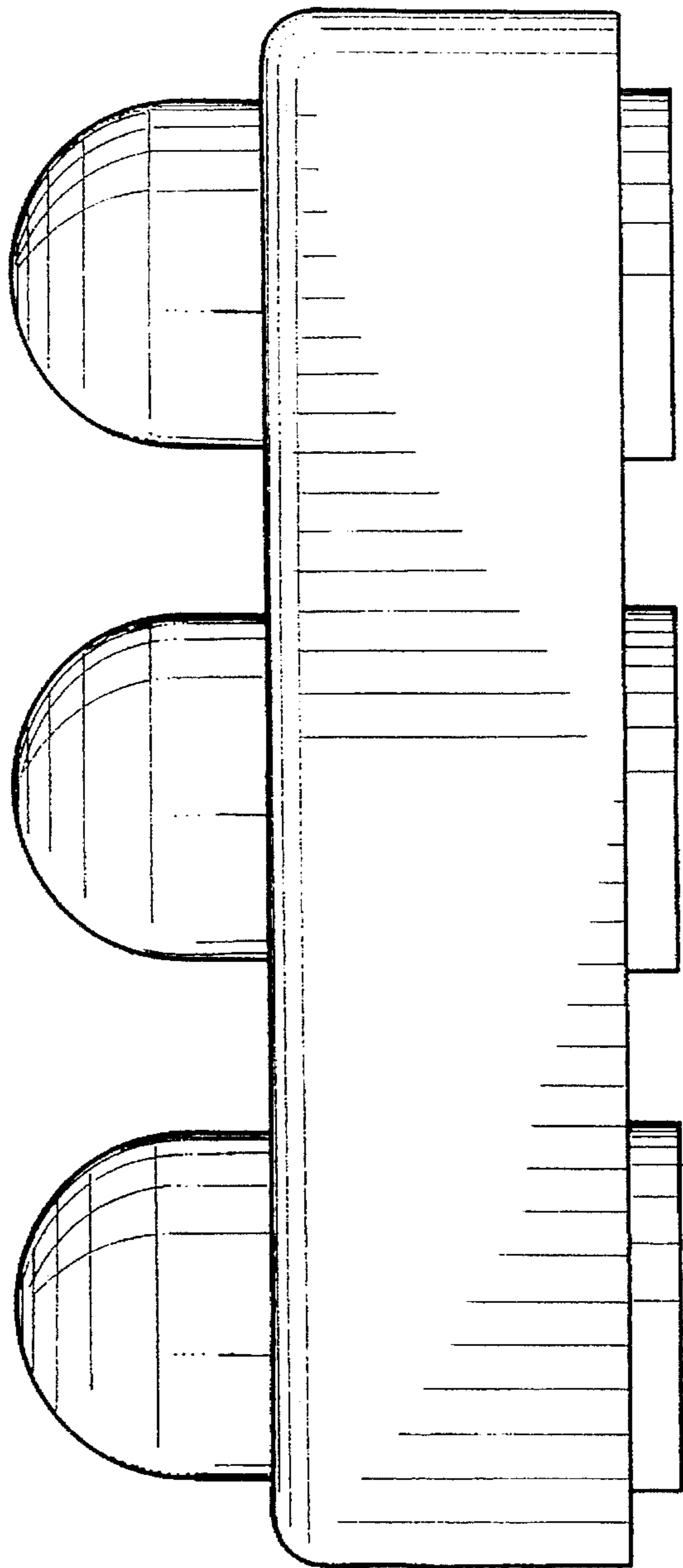


FIG. 4

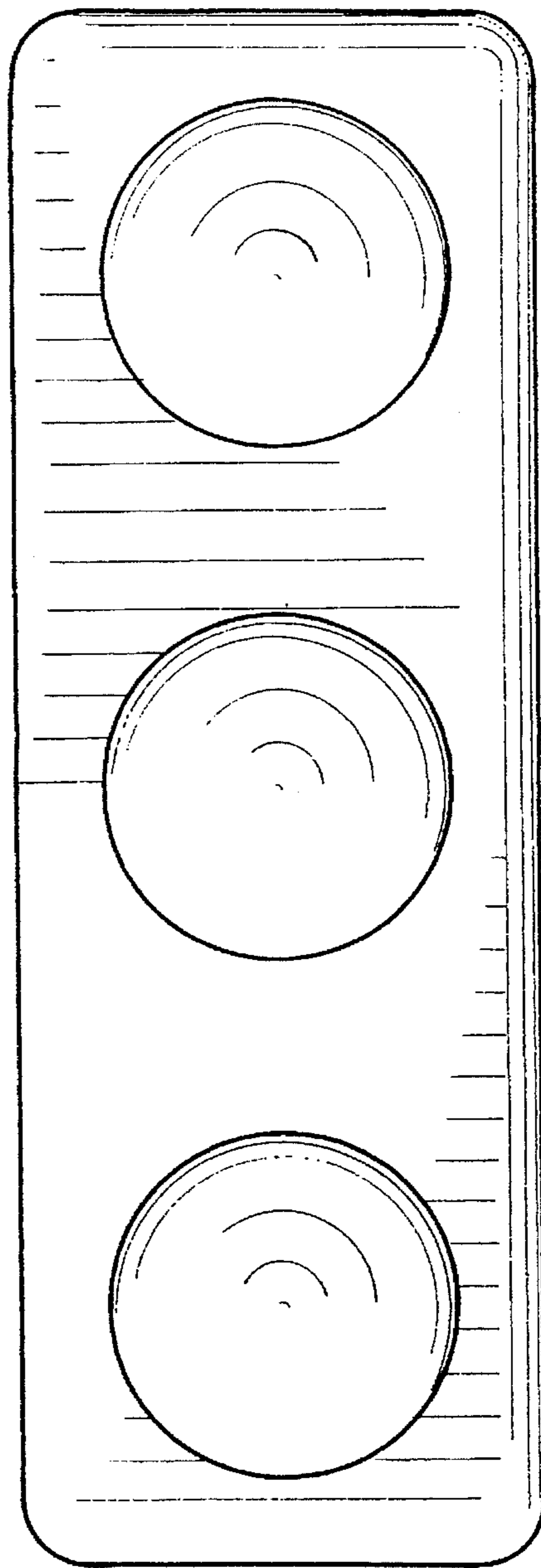


FIG. 6