



US00D366913S

United States Patent [19]

[11] Patent Number: **Des. 366,913**

Karns

[45] Date of Patent: ****Feb. 6, 1996**

[54] **COMBINED BOX KITE AND PARACHUTED FIGURE**

4,129,274 12/1978 Baker .
4,141,521 2/1979 Waldvogel .

[76] Inventor: **Pete Karns**, P.O. Box 10, Jackson, Wyo. 83001

Primary Examiner—Dominic Simone
Attorney, Agent, or Firm—Terry M. Gernstein

[**] Term: **14 Years**

[57] **CLAIM**

[21] Appl. No.: **34,006**

The ornamental design for a combined box kite and parachuted figure, as shown and described.

[22] Filed: **Jan. 25, 1995**

DESCRIPTION

[52] U.S. Cl. **D21/88**

[58] Field of Search D21/88; 244/153 R, 244/154

FIG. 1 is a front, top and side perspective view of the combined box kite and parachuted figure showing my new design, the line being shown broken away to indicate indeterminate length;

FIG. 2 is a front elevational view thereof;

FIG. 3 is a rear elevational view thereof;

FIG. 4 is a side elevational view thereof, the side opposite being a mirror image of the side shown in FIG. 4;

FIG. 5 is a top plan view thereof; and,

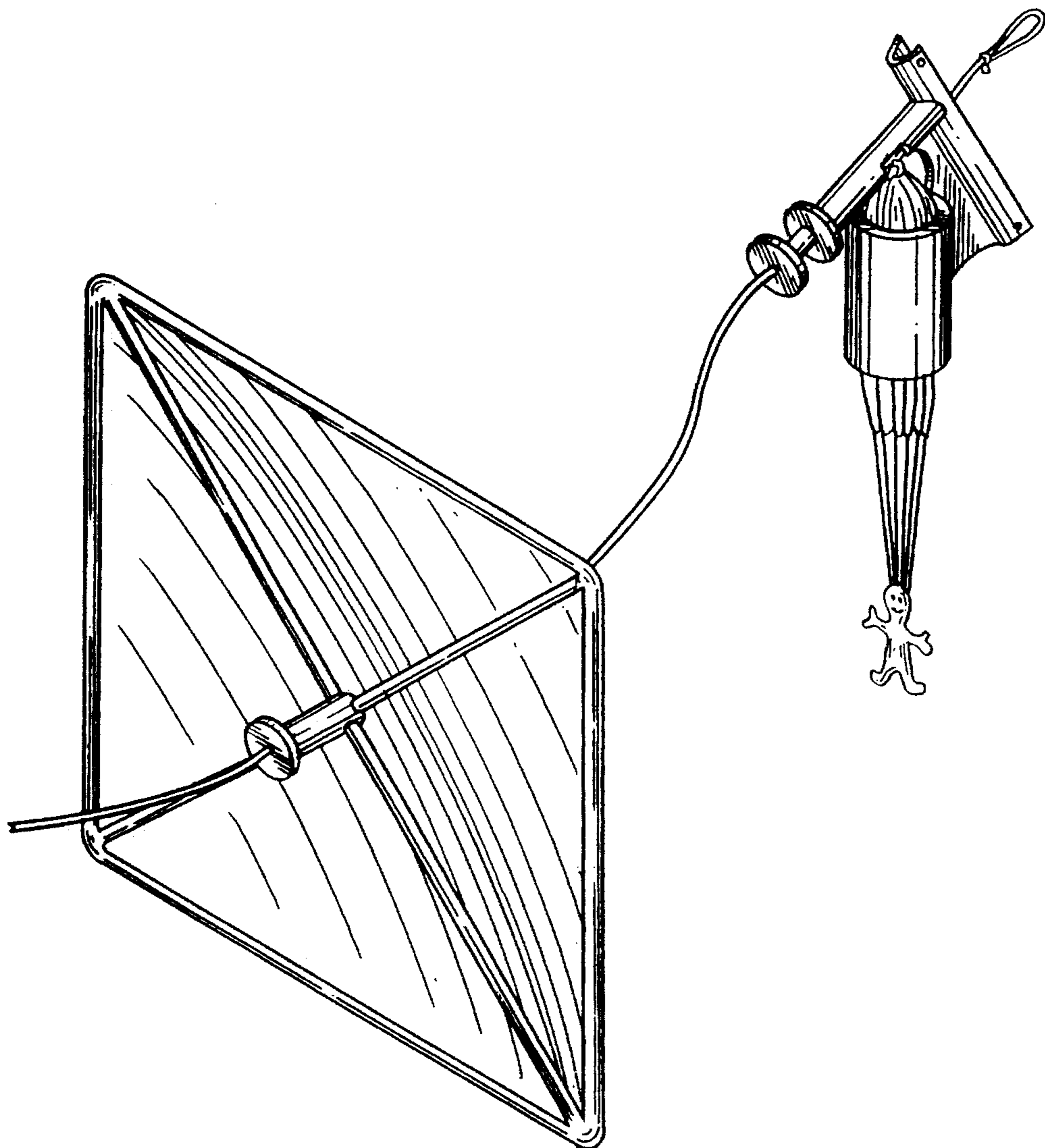
FIG. 6 is a bottom plan view thereof.

[56] **References Cited**

U.S. PATENT DOCUMENTS

D. 6,961	10/1873	Simons	D21/88
D. 166,637	4/1952	Robey	D21/88
444,441	1/1891	Kelley	D21/88 X
1,984,229	12/1934	Neary	D21/88
2,785,870	3/1957	Green	D21/88 X
4,042,195	8/1977	Howard	

1 Claim, 4 Drawing Sheets



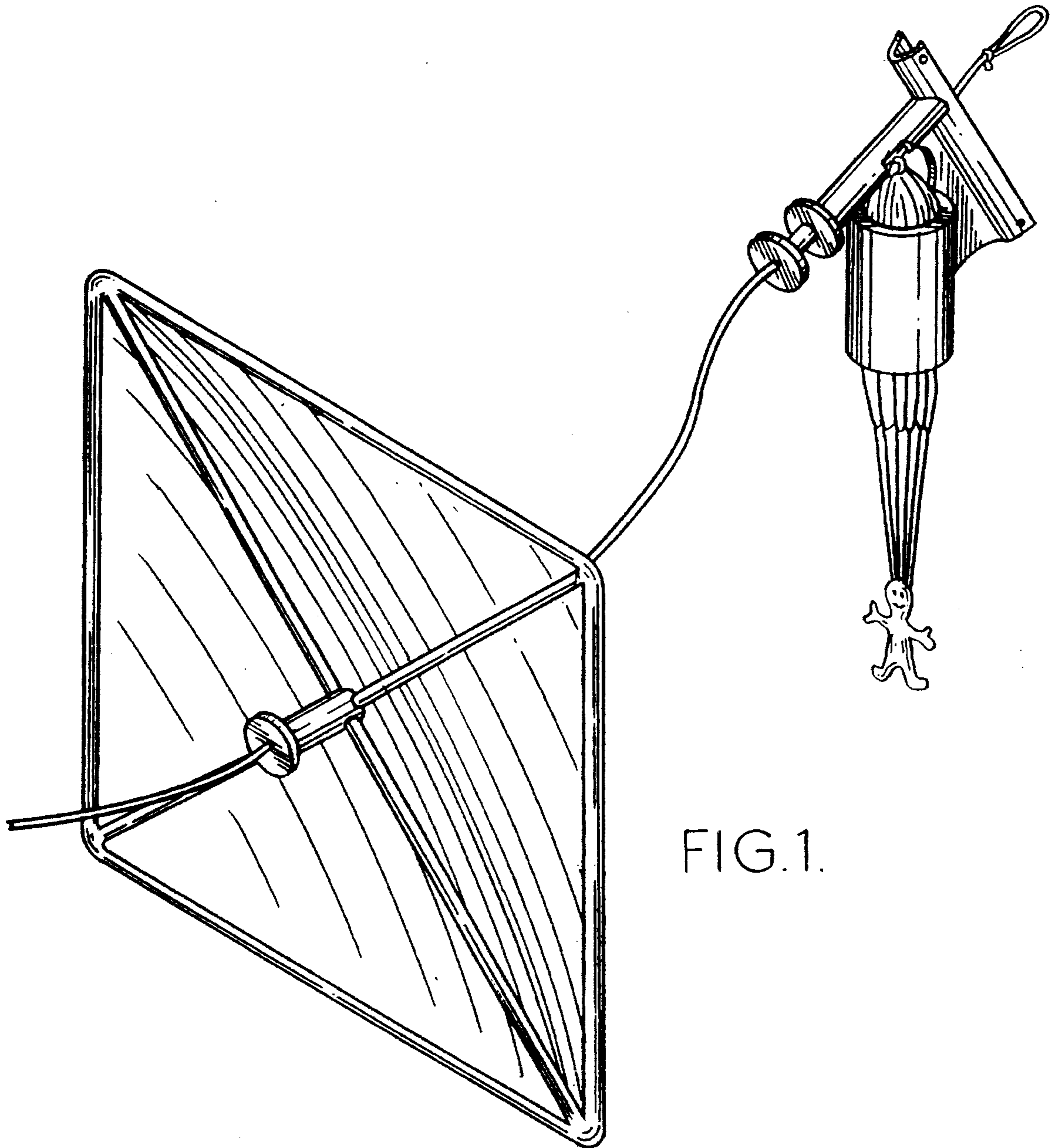


FIG. 1.

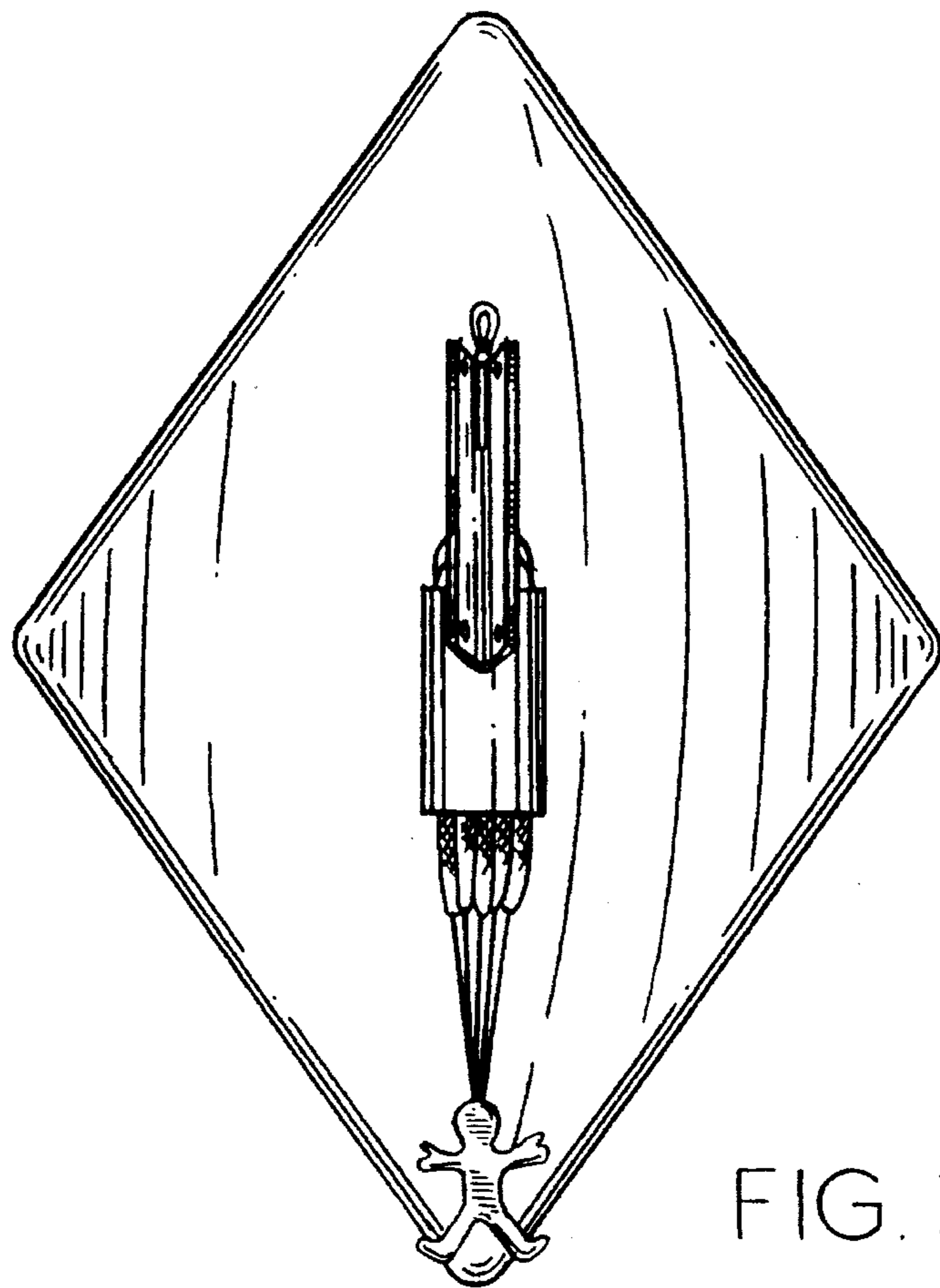


FIG. 2.

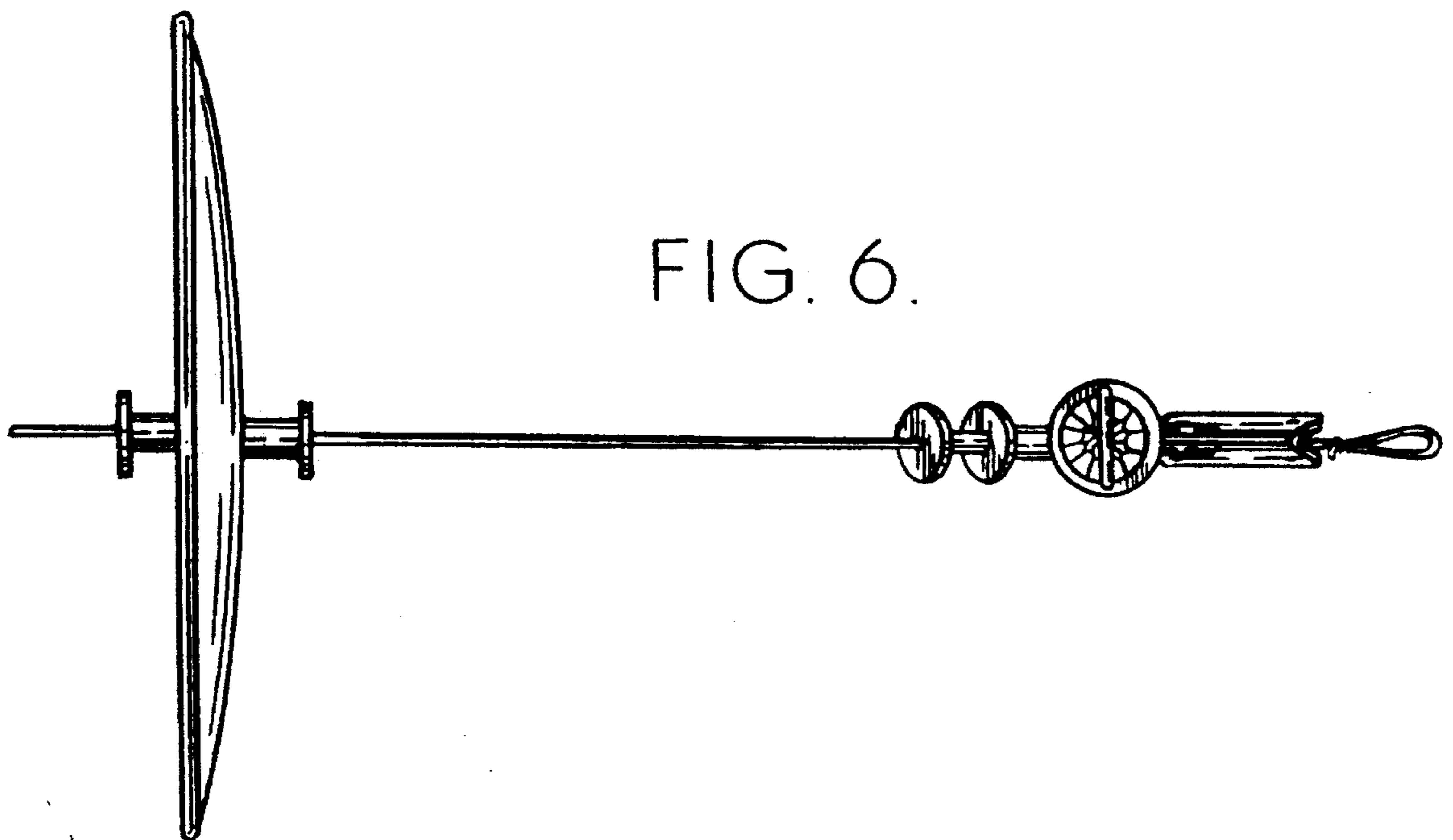


FIG. 6.

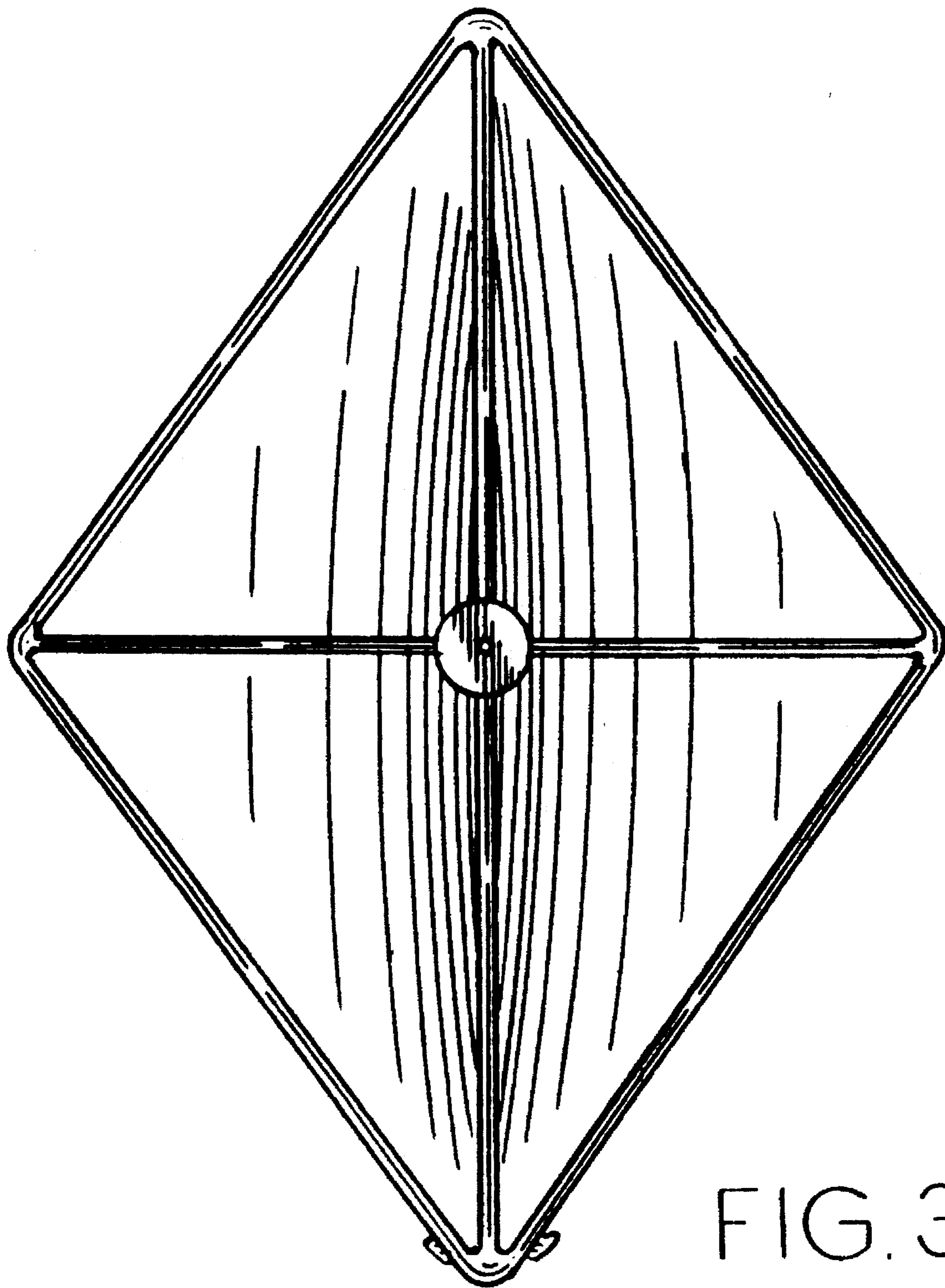


FIG. 3.

FIG. 4.

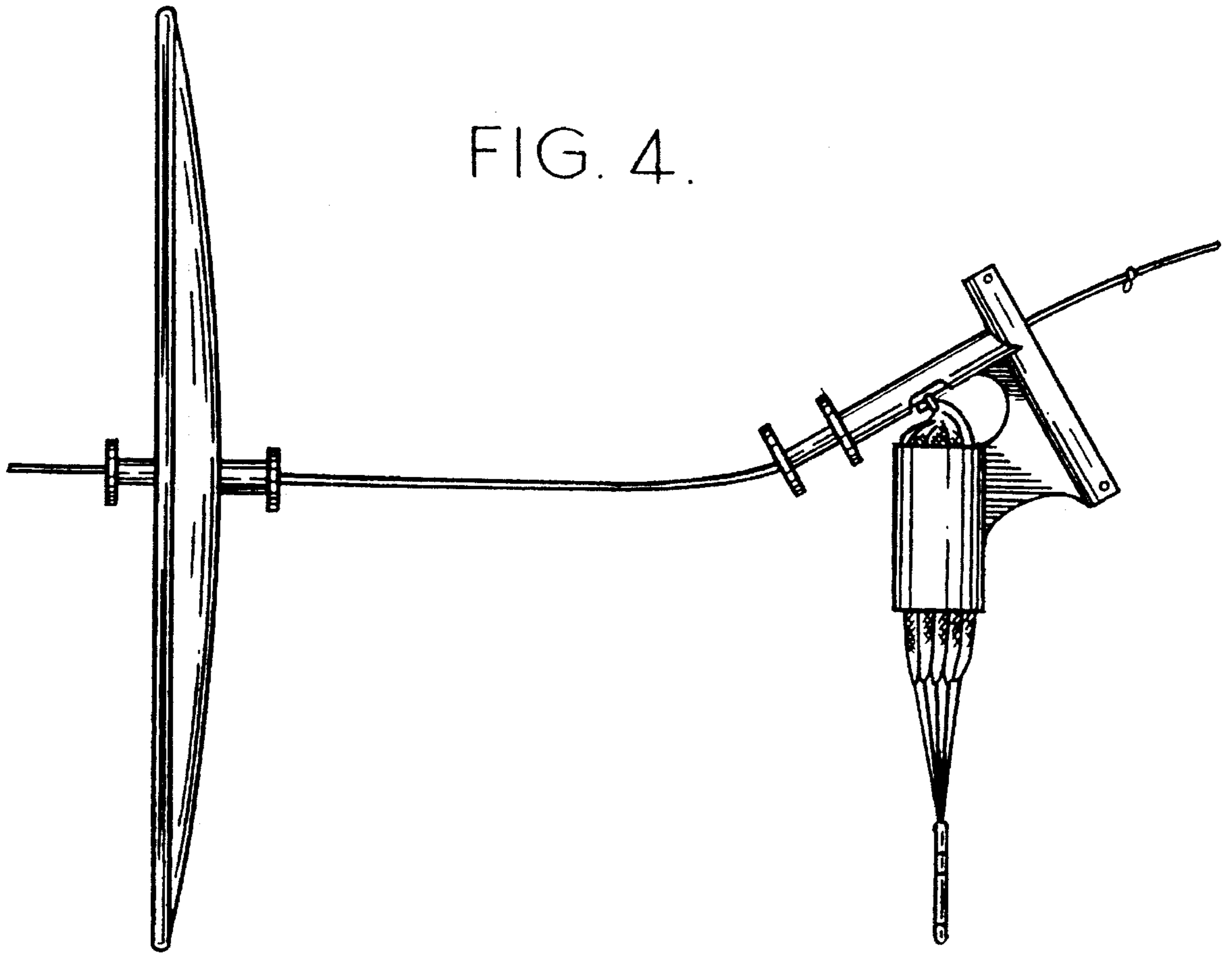


FIG. 5

