



US00D366908S

# United States Patent [19]

Crennen

[11] Patent Number: **Des. 366,908**

[45] Date of Patent: **\*\*Feb. 6, 1996**

[54] TOY CATAPULT

[76] Inventor: **Christopher L. Crennen**, 1211 S. University Blvd., Denver, Colo. 80210

[\*\*] Term: **14 Years**

[21] Appl. No.: **39,484**

[22] Filed: **May 26, 1995**

[52] U.S. Cl. .... **D21/2**

[58] Field of Search ..... D21/1, 2, 3, 7, D21/8, 11, 87; 273/317, 348, 351; 124/4, 6, 7

### FOREIGN PATENT DOCUMENTS

634993 2/1962 Italy ..... 124/4  
1075 of 1912 United Kingdom ..... 124/4

### OTHER PUBLICATIONS

Boy Scouts of America, *Cub Scout Fun Book*, copyright 1986, pp. 24-25.

Primary Examiner—Prabhakar G. Deshmukh

### [57] CLAIM

The ornamental design for a toy catapult, as shown.

### DESCRIPTION

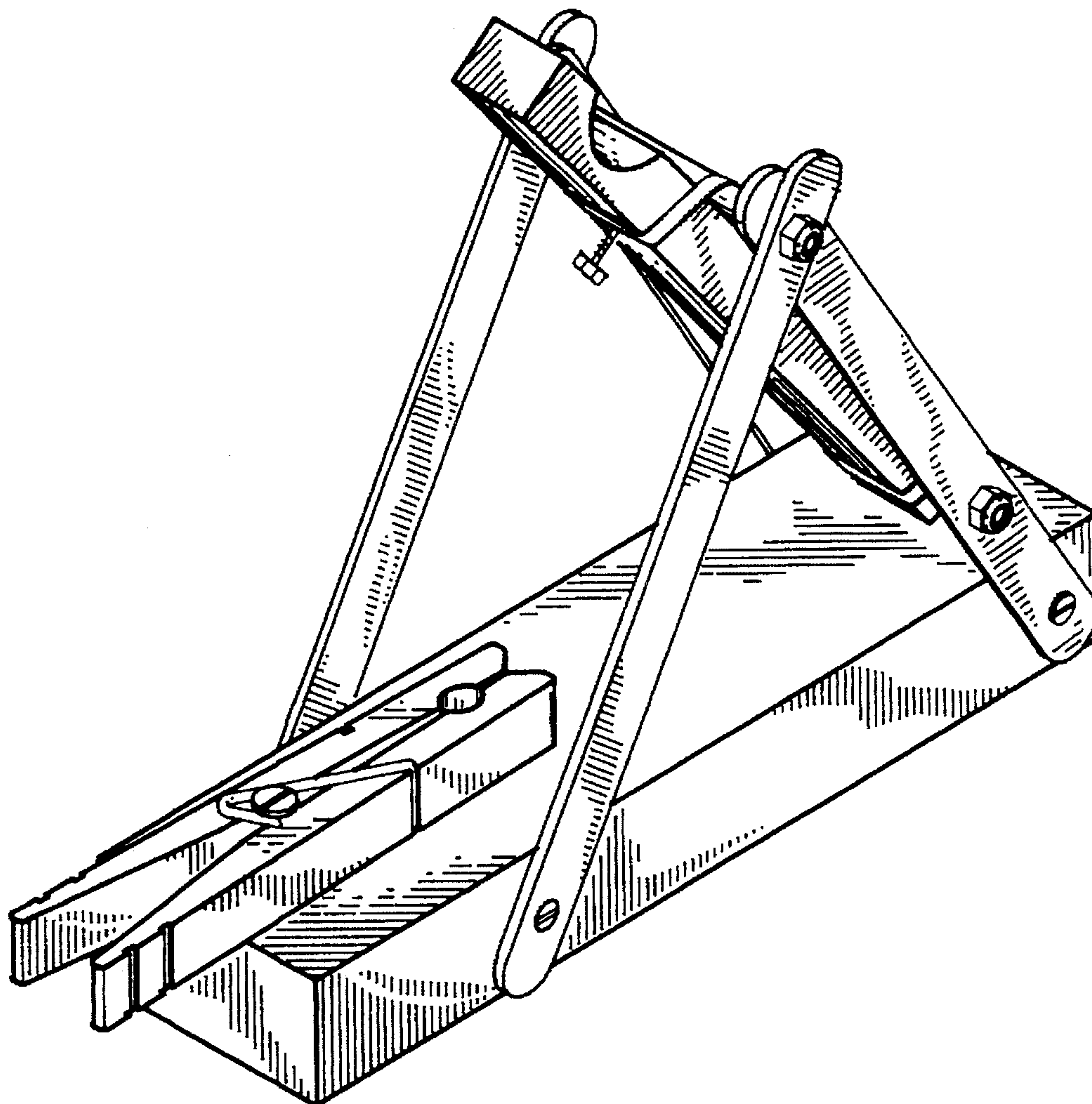
FIG. 1 is a perspective view;  
FIG. 2 is a side view;  
FIG. 3 is a back view;  
FIG. 4 is a bottom view;  
FIG. 5 is a top view;  
FIG. 6 is a front view; and,  
FIG. 7 is a side view.

### [56] References Cited

#### U.S. PATENT DOCUMENTS

D. 138,093	6/1944	Schlitz	.....	D21/2
D. 288,215	2/1987	Tami	.....	D21/2
D. 340,328	10/1993	Dragoneas et al.	.....	D32/61
3,662,728	5/1972	Retrum	.....	124/4
3,669,451	6/1972	Welbourn	.....	124/4 X
3,724,855	4/1973	Chu	.....	124/4 X
4,010,953	3/1977	Russo	.....	124/4 X
4,111,179	9/1978	Hashimoto	.....	124/7

1 Claim, 2 Drawing Sheets



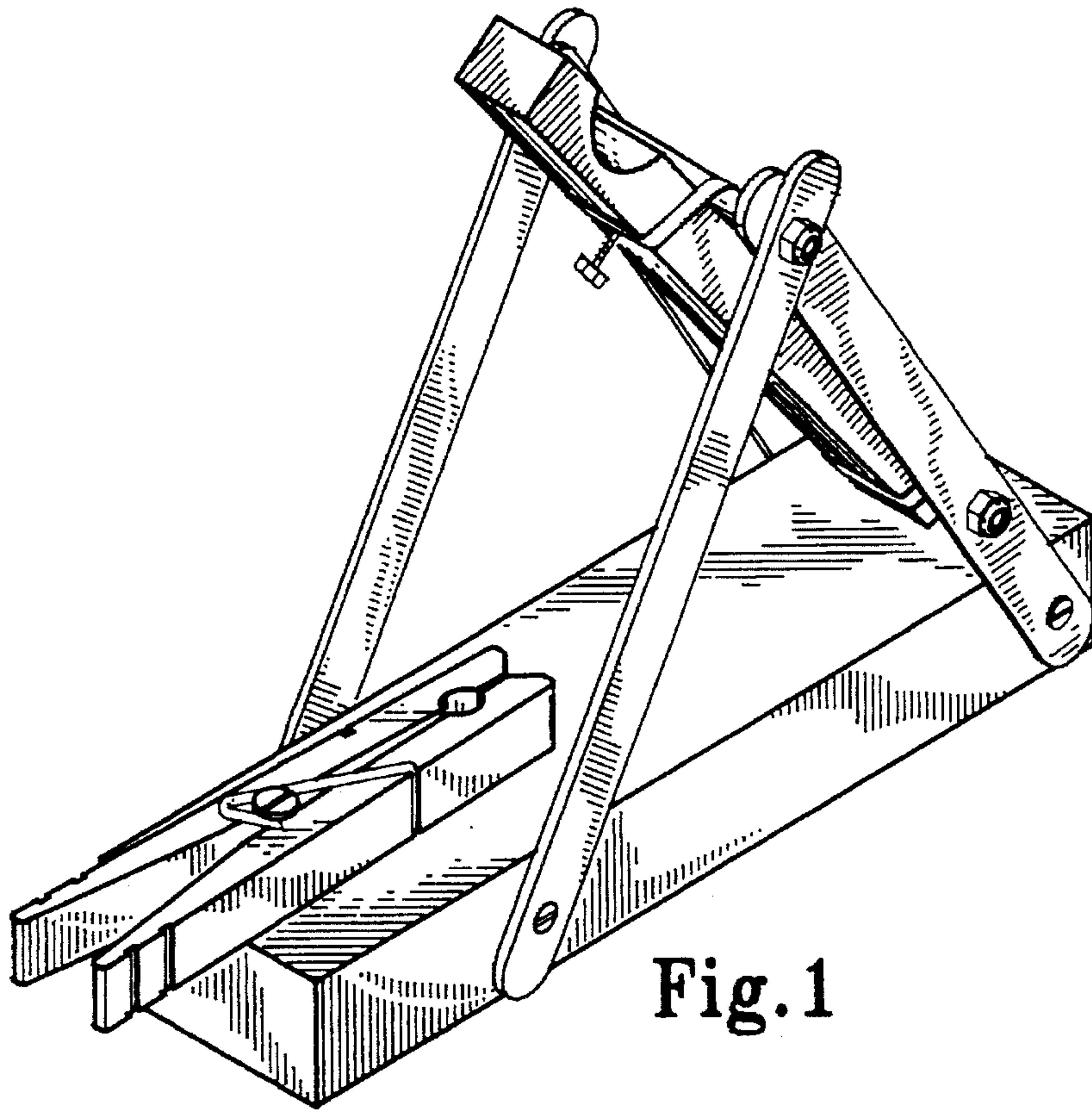


Fig. 1

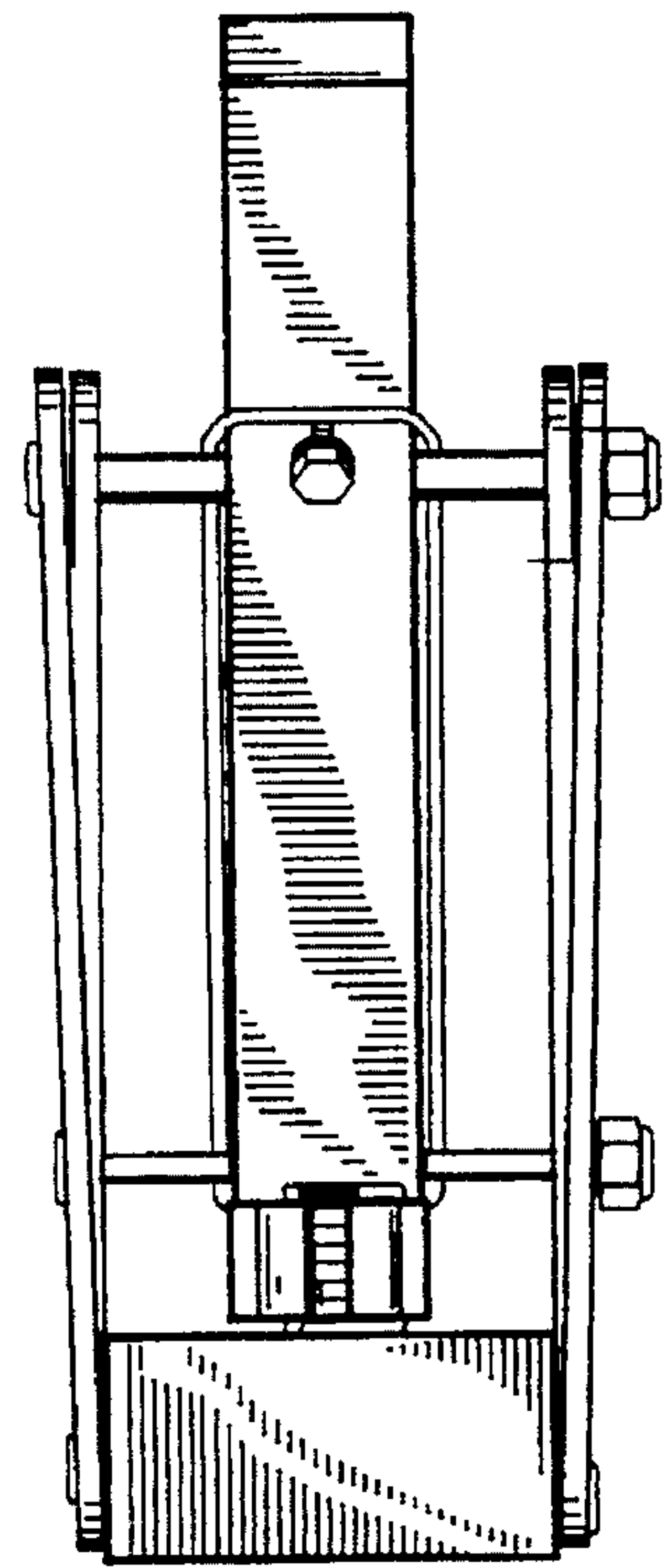


Fig. 3

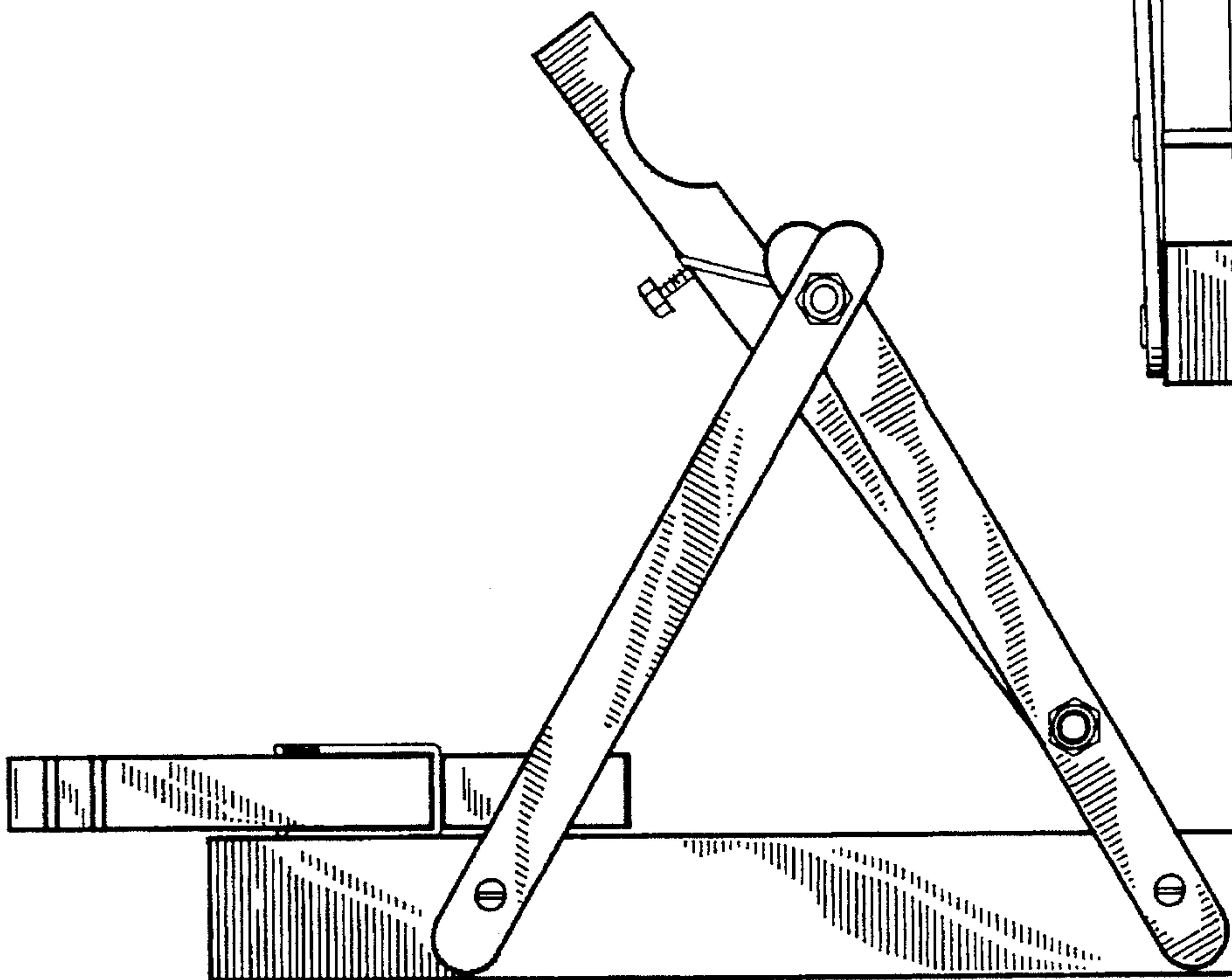


Fig. 2

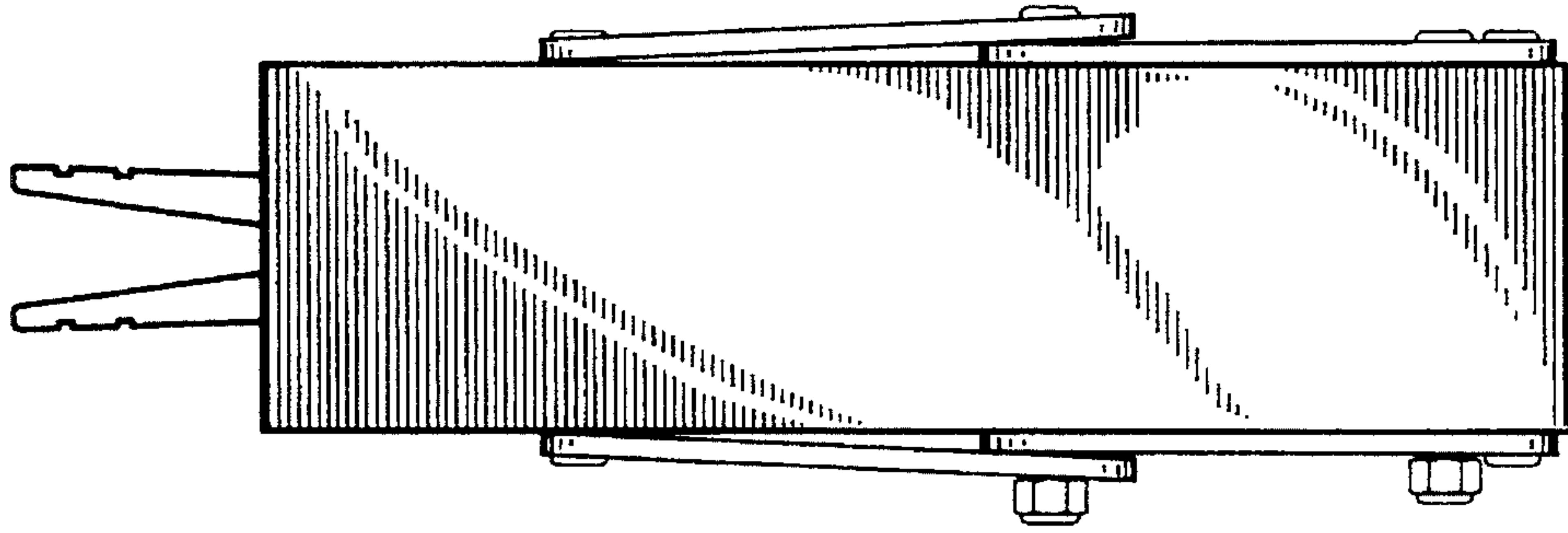


Fig. 4

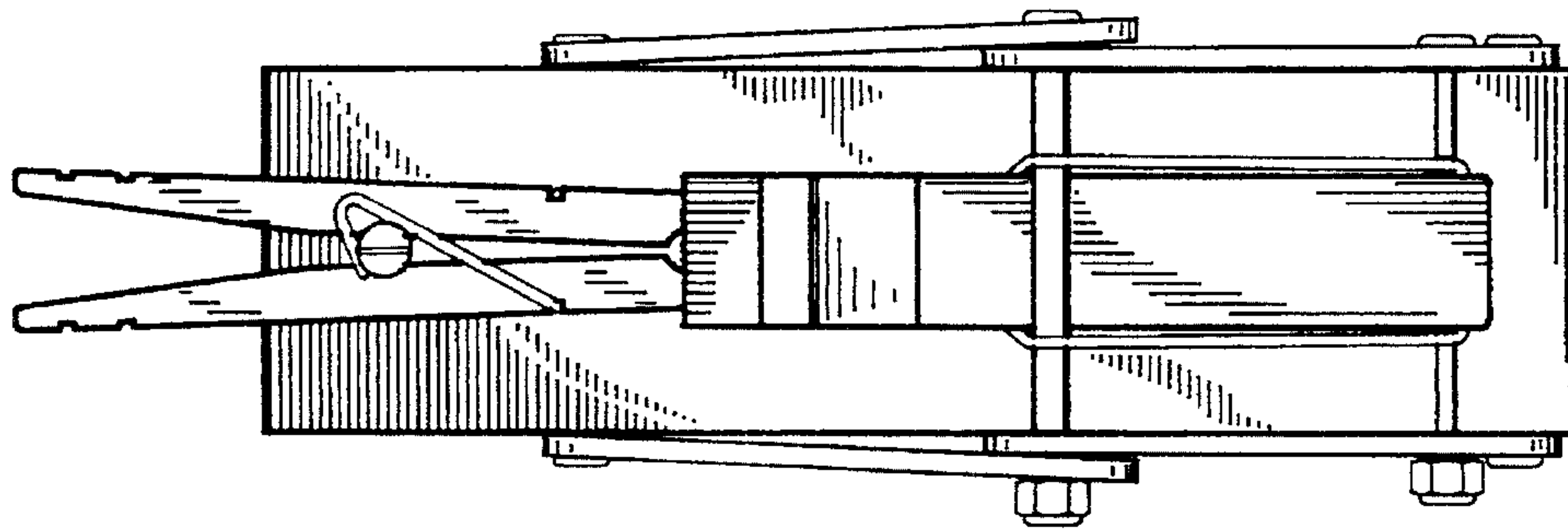


Fig. 5

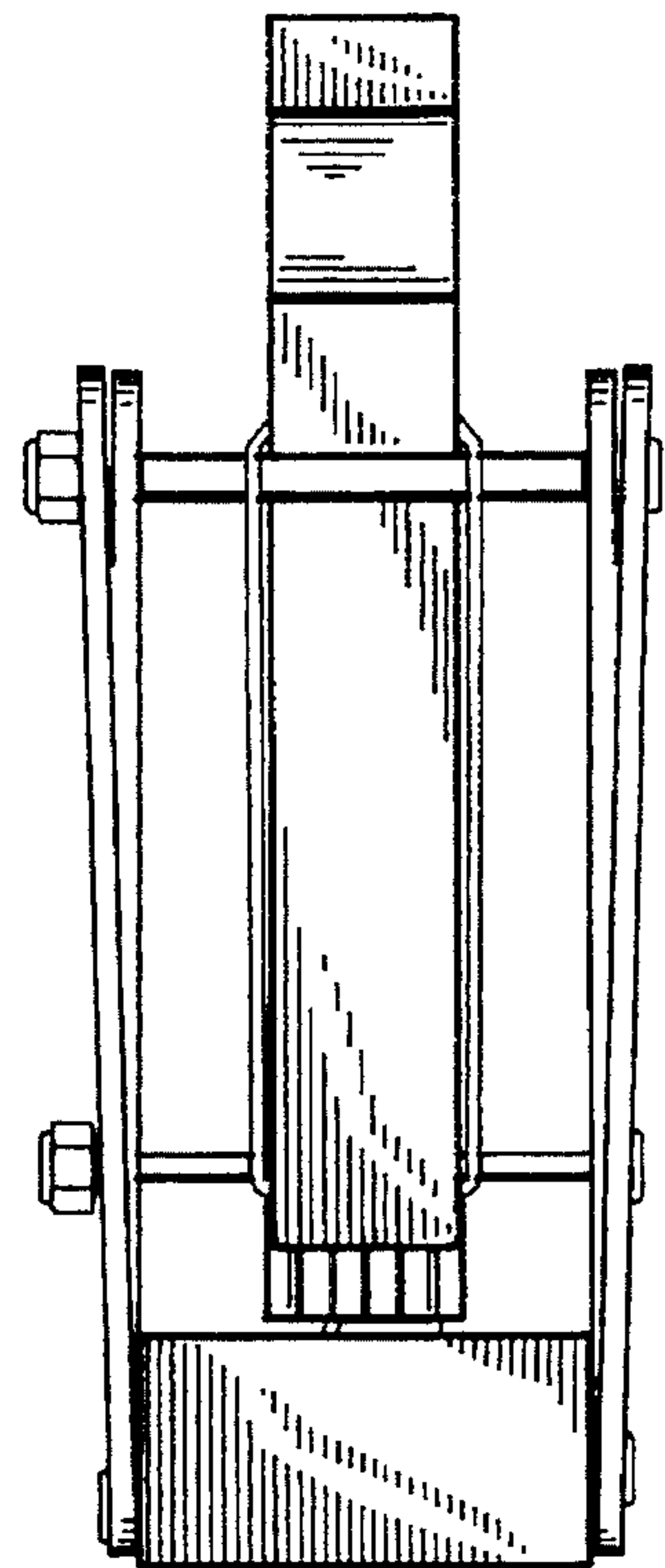


Fig. 6

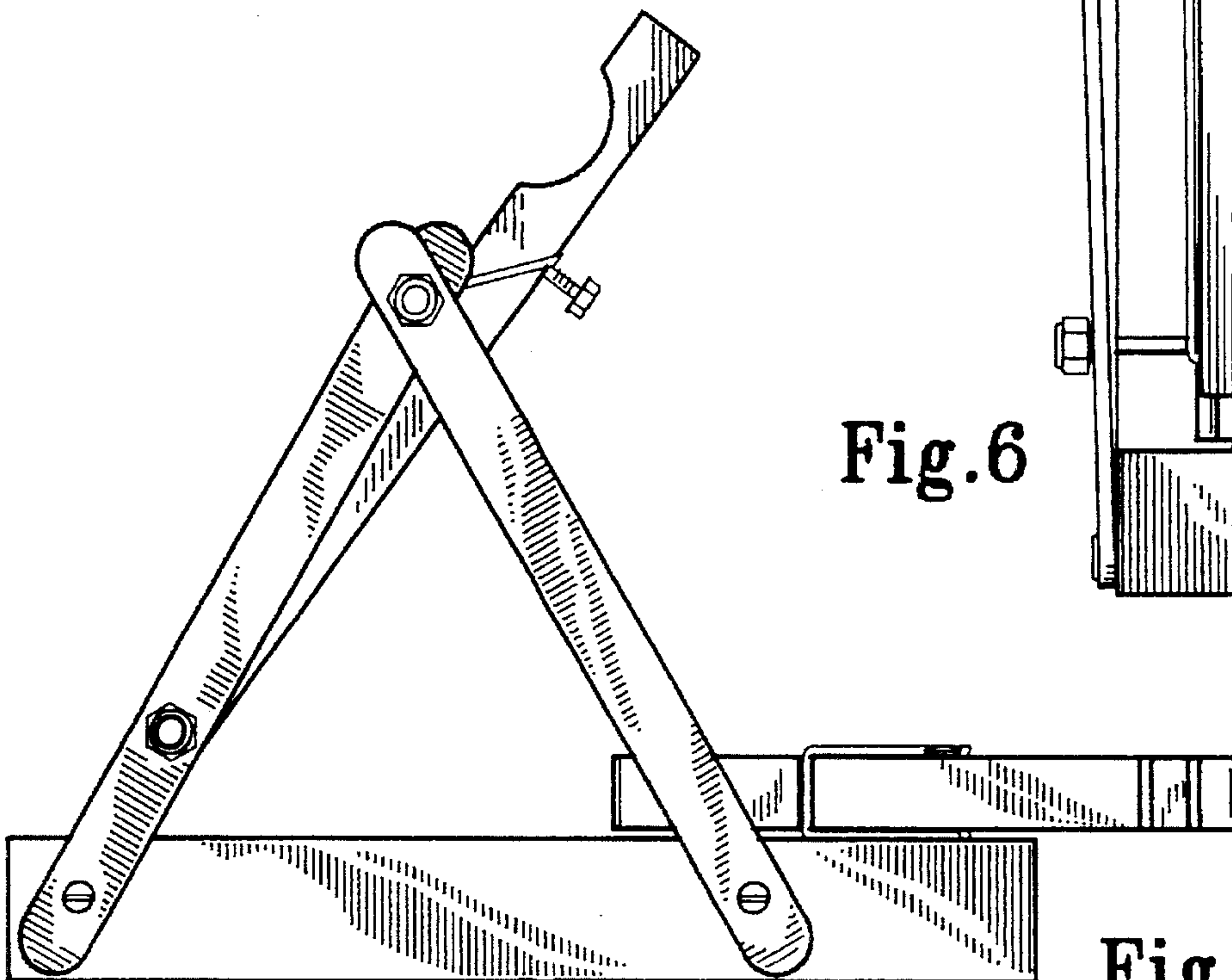


Fig. 7