



US00D366906S

United States Patent [19] Taylor

[11] Patent Number: **Des. 366,906**

[45] Date of Patent: ***** Feb. 6, 1996**

[54] **BROCHURE HOLDER**

[76] Inventor: **Stephen D. Taylor**, P.O. Box 669,
Neutral Bay, NSW, Australia, 2089

[*] Notice: The portion of the term of this patent
subsequent to Apr. 25, 2009, has been
disclaimed.

[**] Term: **14 Years**

[21] Appl. No.: **15,992**

[22] Filed: **Dec. 2, 1993**

[30] **Foreign Application Priority Data**

Jun. 2, 1993 [AU] Australia 1666/93

[52] U.S. Cl. **D19/90; D6/457; D6/553;**
D19/86

[58] Field of Search D6/455, 457, 553;
D19/65, 75, 78, 86, 90, 91, 95, 99, 100;
211/50; 108/144

[56] **References Cited**

U.S. PATENT DOCUMENTS

D. 179,776 2/1957 Morrill, Jr. D6/457

D. 198,732	7/1964	Shapiro	D6/457
D. 212,267	9/1968	Dreyfuss	D6/457
D. 280,466	9/1985	Settzer et al.	D19/90 X
D. 301,101	5/1989	Meyer	D6/553 X
D. 308,784	6/1990	Liptak	D6/553
D. 310,310	9/1990	Martinez	D6/457
D. 334,306	3/1993	Breen	D6/455
4,336,759	6/1982	Hannecke	D6/457
4,579,232	4/1986	Fedak	211/50

Primary Examiner—Martie Thompson
Attorney, Agent, or Firm—Robbins, Berliner & Carson

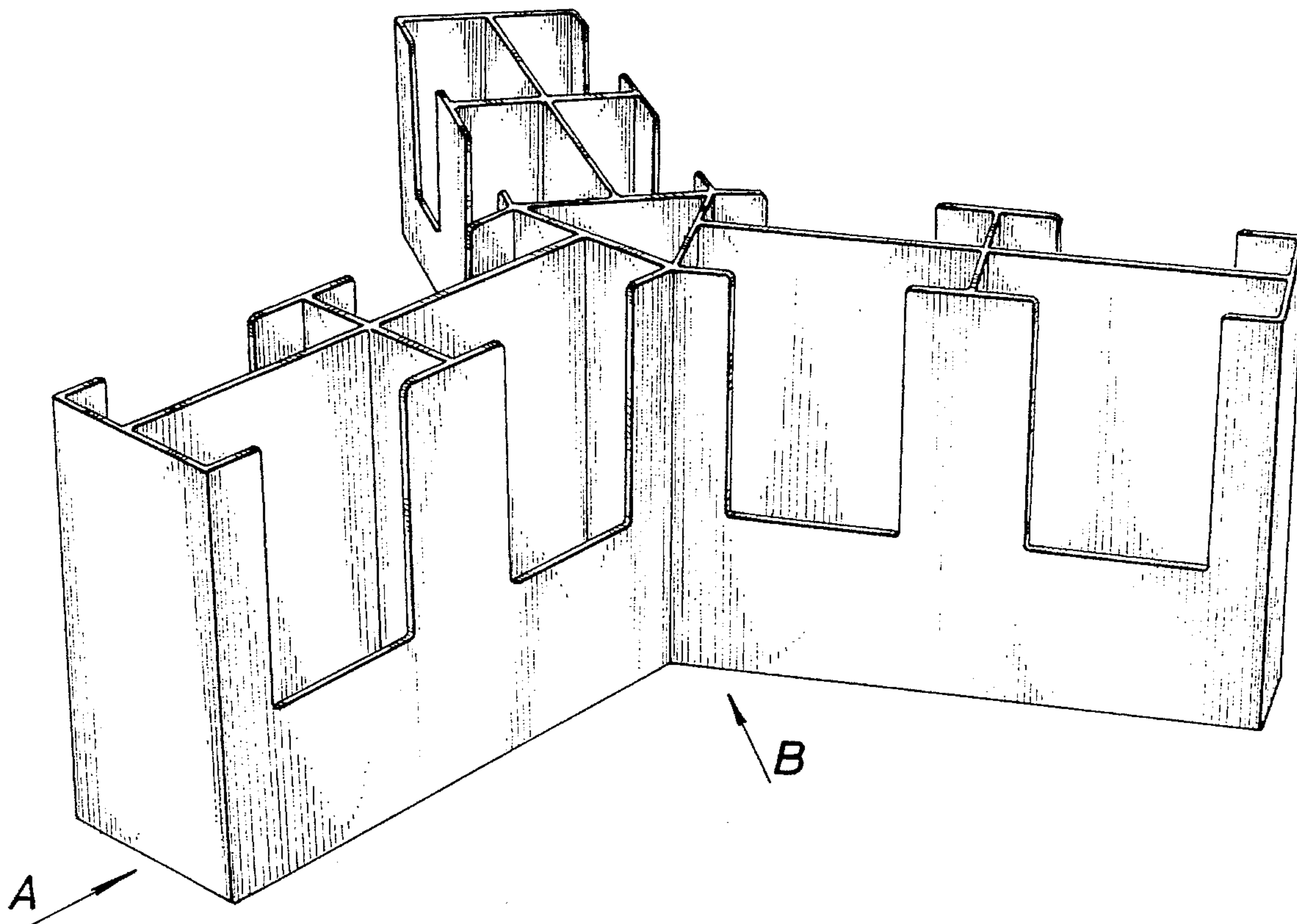
[57] **CLAIM**

The ornamental design for a brochure holder, as shown and described.

DESCRIPTION

FIG. 1 is a top plan view of a brochure holder, according to my new design;
FIG. 2 is a bottom plan view;
FIG. 3 is a perspective view;
FIG. 4 is a side view along the direction of arrow "B", as referenced in FIG. 3; and,
FIG. 5 is a side view along the direction of arrow "A", as referenced in FIG. 3.

1 Claim, 3 Drawing Sheets



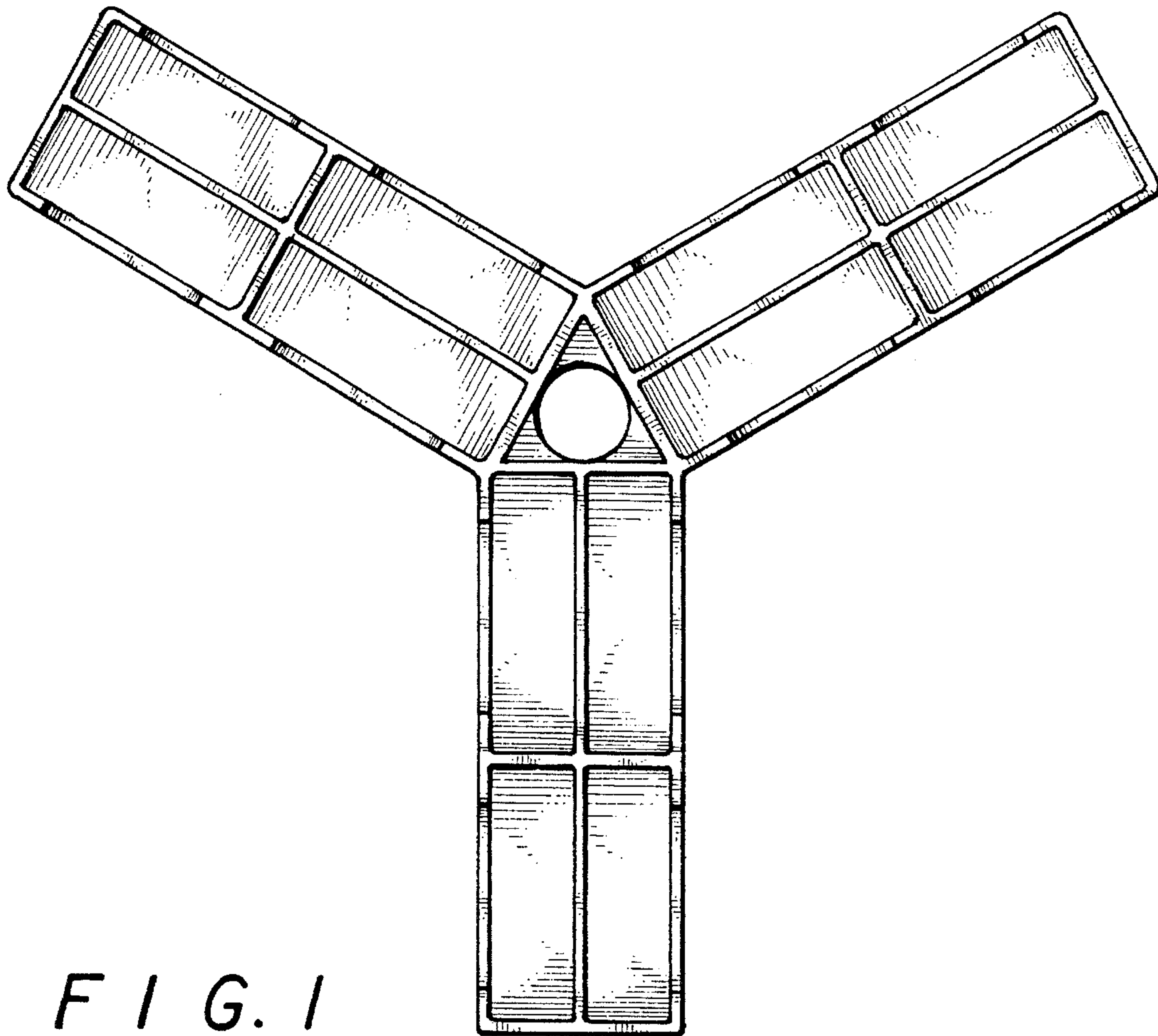


FIG. 1

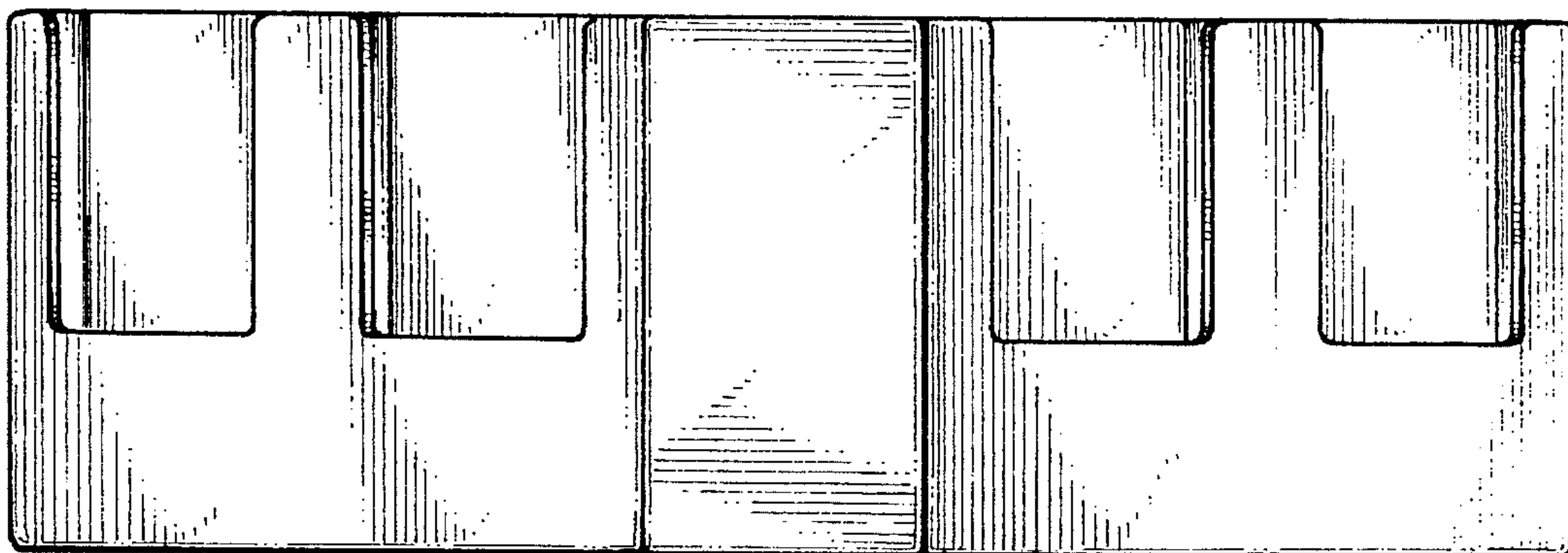


FIG. 5

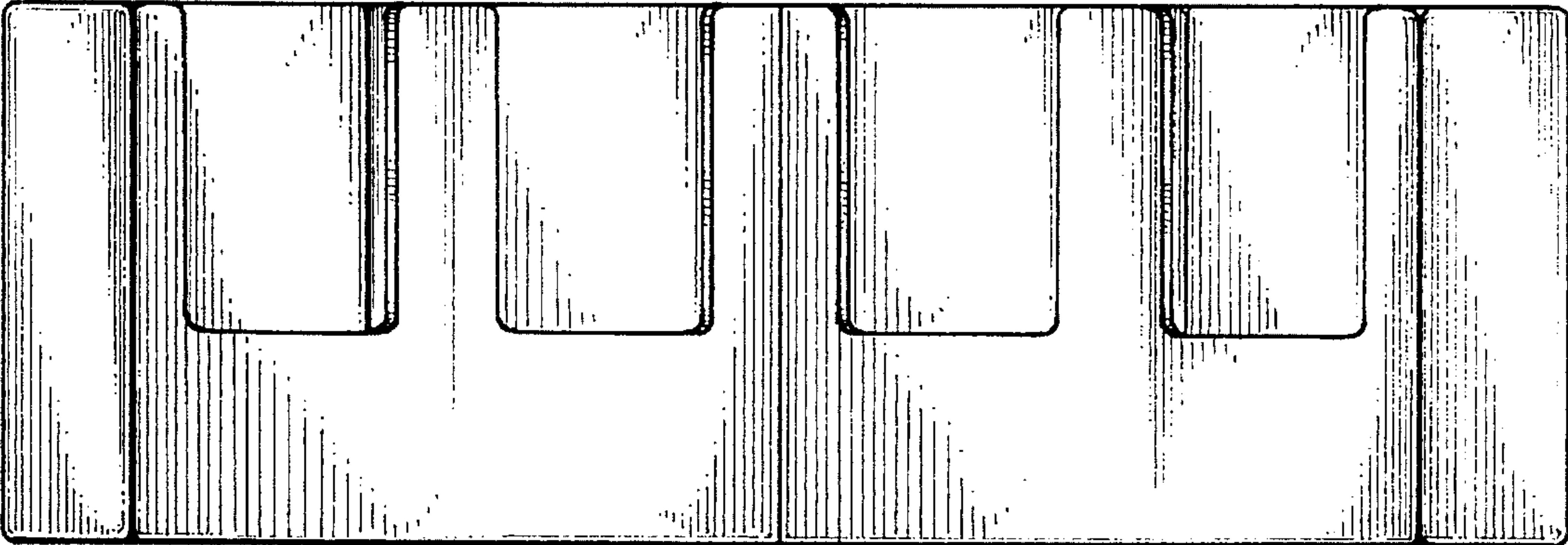


FIG. 4

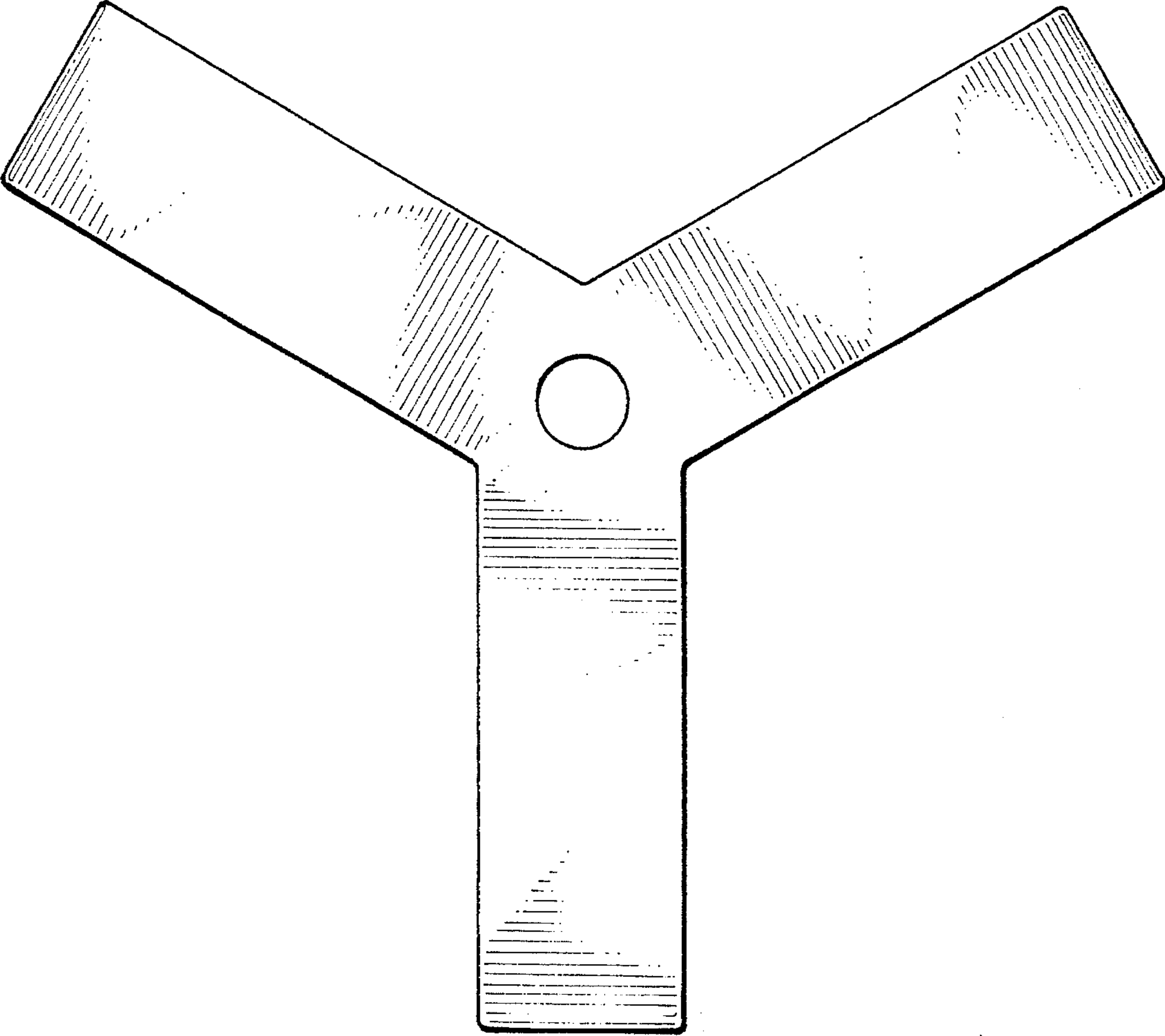


FIG. 2

