



US00D366903S

# United States Patent [19] Baggott

[11] Patent Number: **Des. 366,903**

[45] Date of Patent: **\*\*Feb. 6, 1996**

[54] **COUPON AND SHOPPING LIST HOLDER**

[76] Inventor: **Sandra A. Baggott**, 8031 N. 94th St., Milwaukee, Wis. 53224

[\*\*] Term: **14 Years**

[21] Appl. No.: **33,580**

[22] Filed: **Jan. 17, 1995**

[52] U.S. Cl. .... **D19/78; D19/84; D19/90; D34/27**

[58] Field of Search ..... D34/27; D19/52, D19/65, 75, 77, 78, 81-85, 86, 90, 91, 99, 100; 206/371, 389, 214, 232, 224, 570; D6/567, 553; 211/50, 69.1-69.9; 281/42; 224/277, 42.43, 227, 273

[56] **References Cited**

**U.S. PATENT DOCUMENTS**

D. 301,101	5/1989	Meyer	.....	D6/567
D. 352,589	11/1994	Kennedy	.....	D19/88 X
3,820,656	6/1974	Orr	.....	206/570
4,510,872	4/1985	Parry	.....	211/50 X
4,685,701	8/1987	Amundson et al.	.....	281/42

4,938,402	7/1990	Anatra et al.	.....	224/277
4,966,318	10/1990	Dutka	.....	206/425 X
5,048,736	9/1991	Anatra	.....	224/277
5,263,578	11/1993	Narvey	.....	211/69.1 X

*Primary Examiner*—Martie Thompson  
*Attorney, Agent, or Firm*—Joseph S. Heino

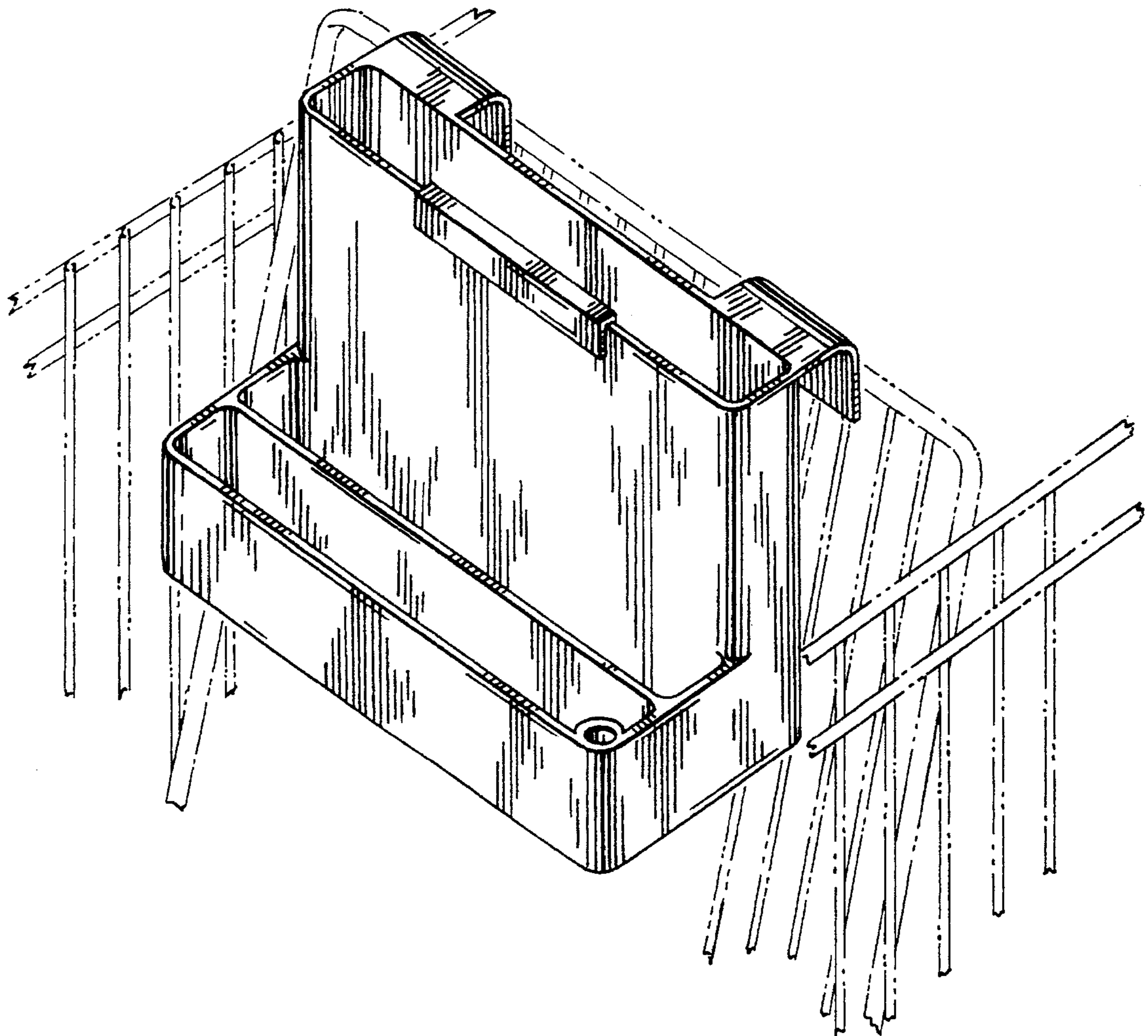
[57] **CLAIM**

The ornamental design for a coupon and shopping list holder, as shown and described.

**DESCRIPTION**

FIG. 1 is a right side, top and front perspective view of a coupon and shopping list holder showing my new design, the fragmentary shopping cart depicted by means of broken lines being shown for illustrative purposes only and forming no part of the claimed design; FIG. 2 is a front elevational view thereof; FIG. 3 is a right side elevational view thereof; FIG. 4 is a top plan view thereof; FIG. 5 is a rear elevational view thereof; and, FIG. 6 is a bottom plan view thereof.

**1 Claim, 2 Drawing Sheets**



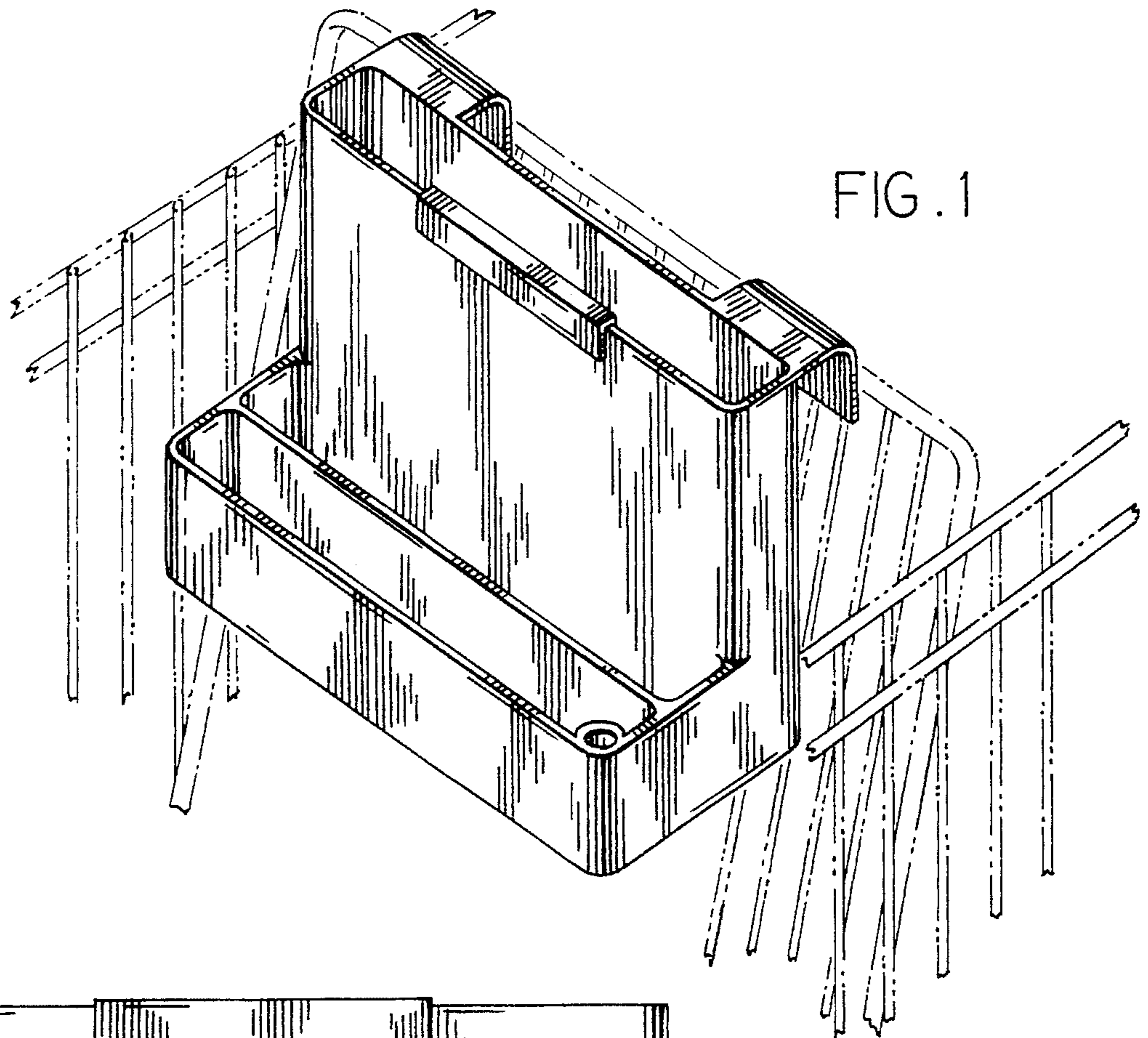


FIG. 1

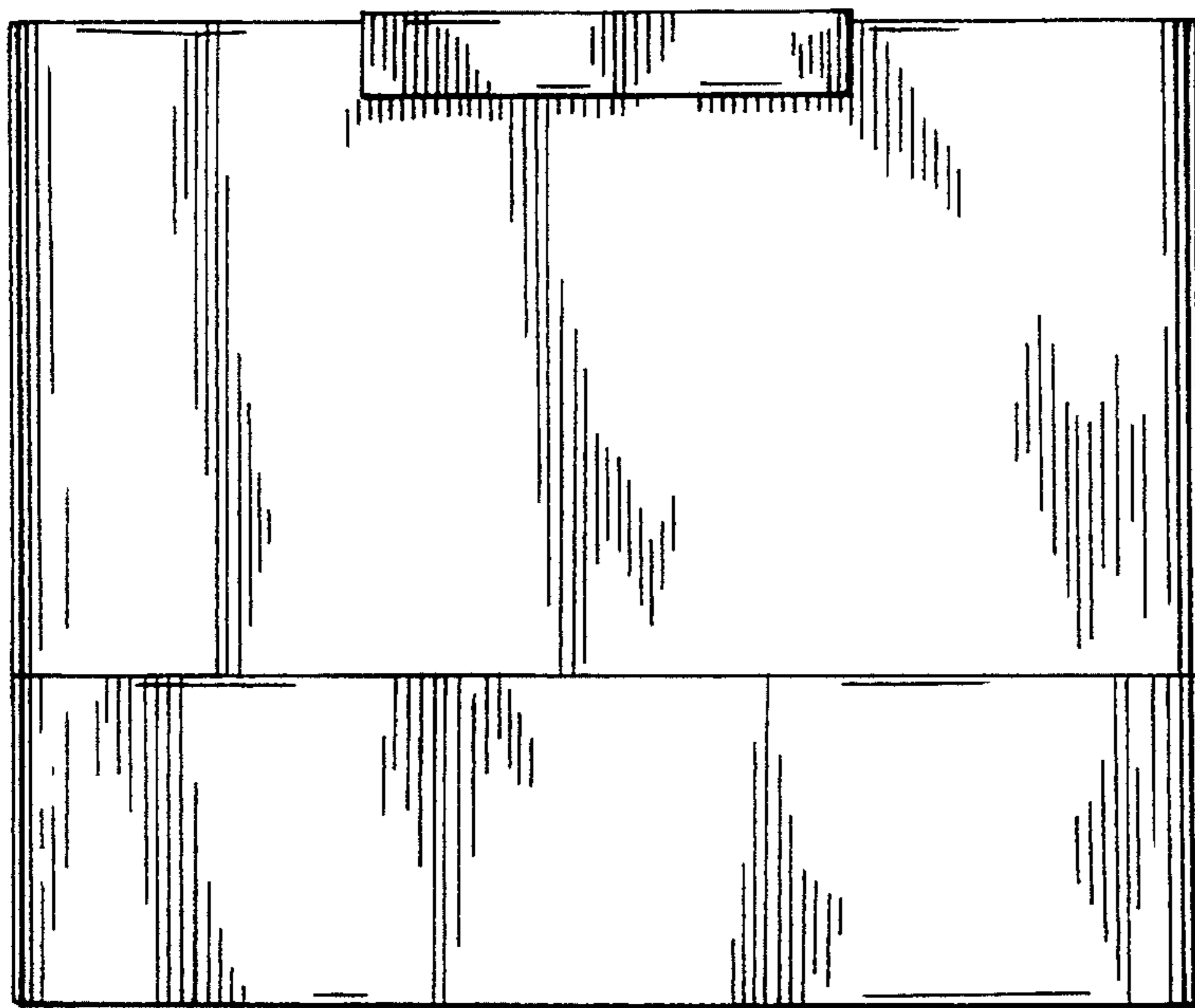


FIG. 2

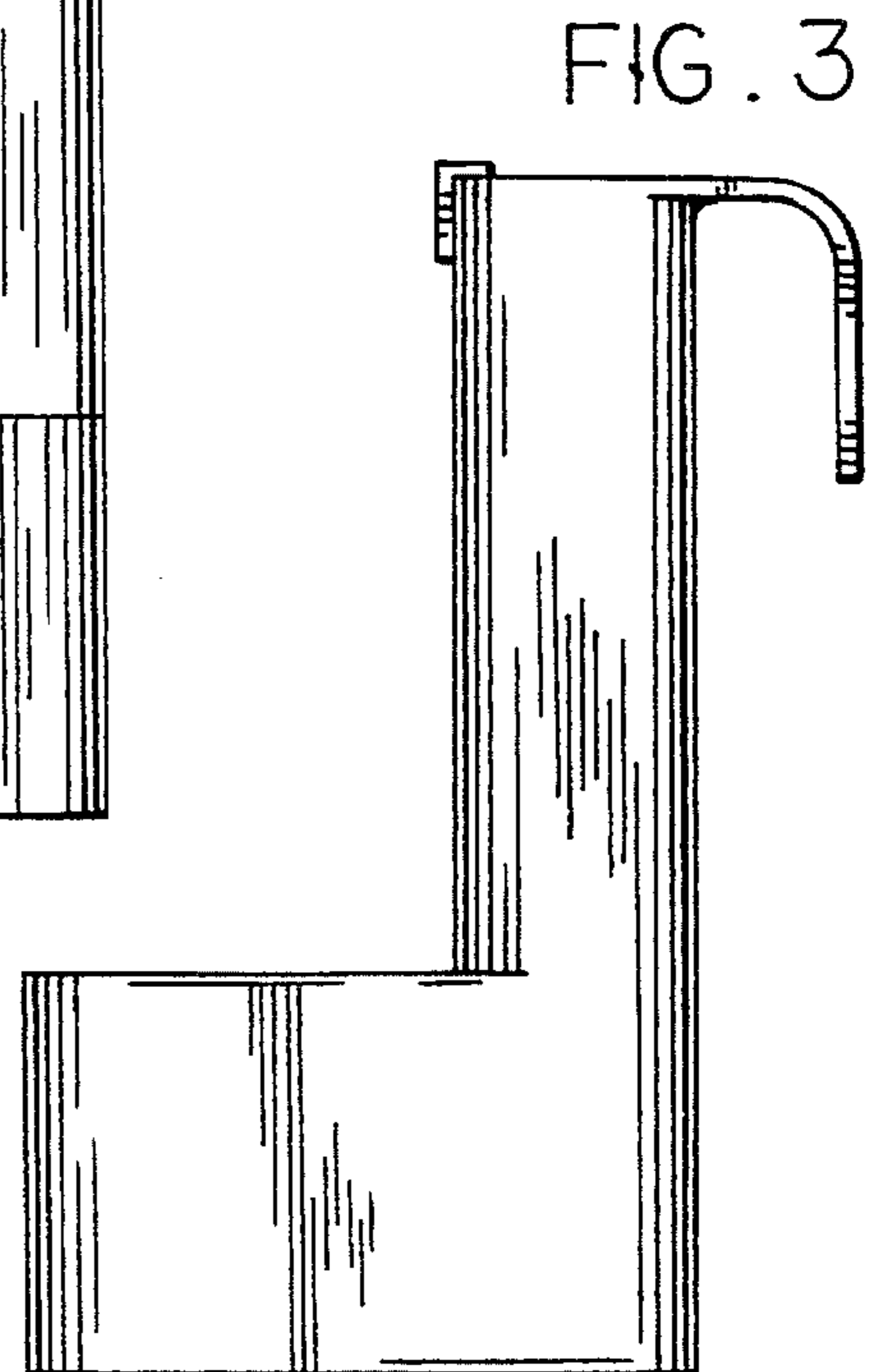


FIG. 3

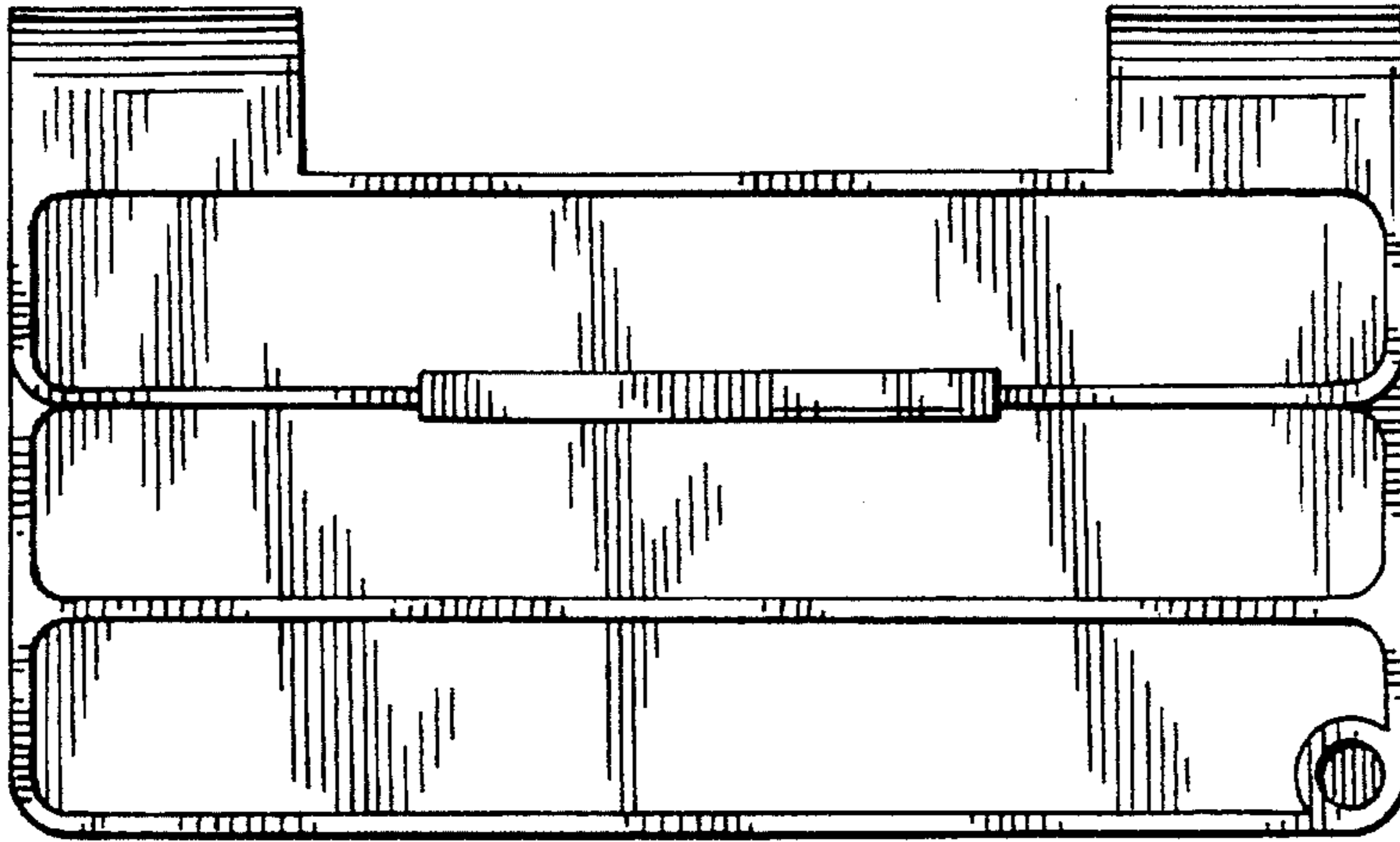


FIG. 4

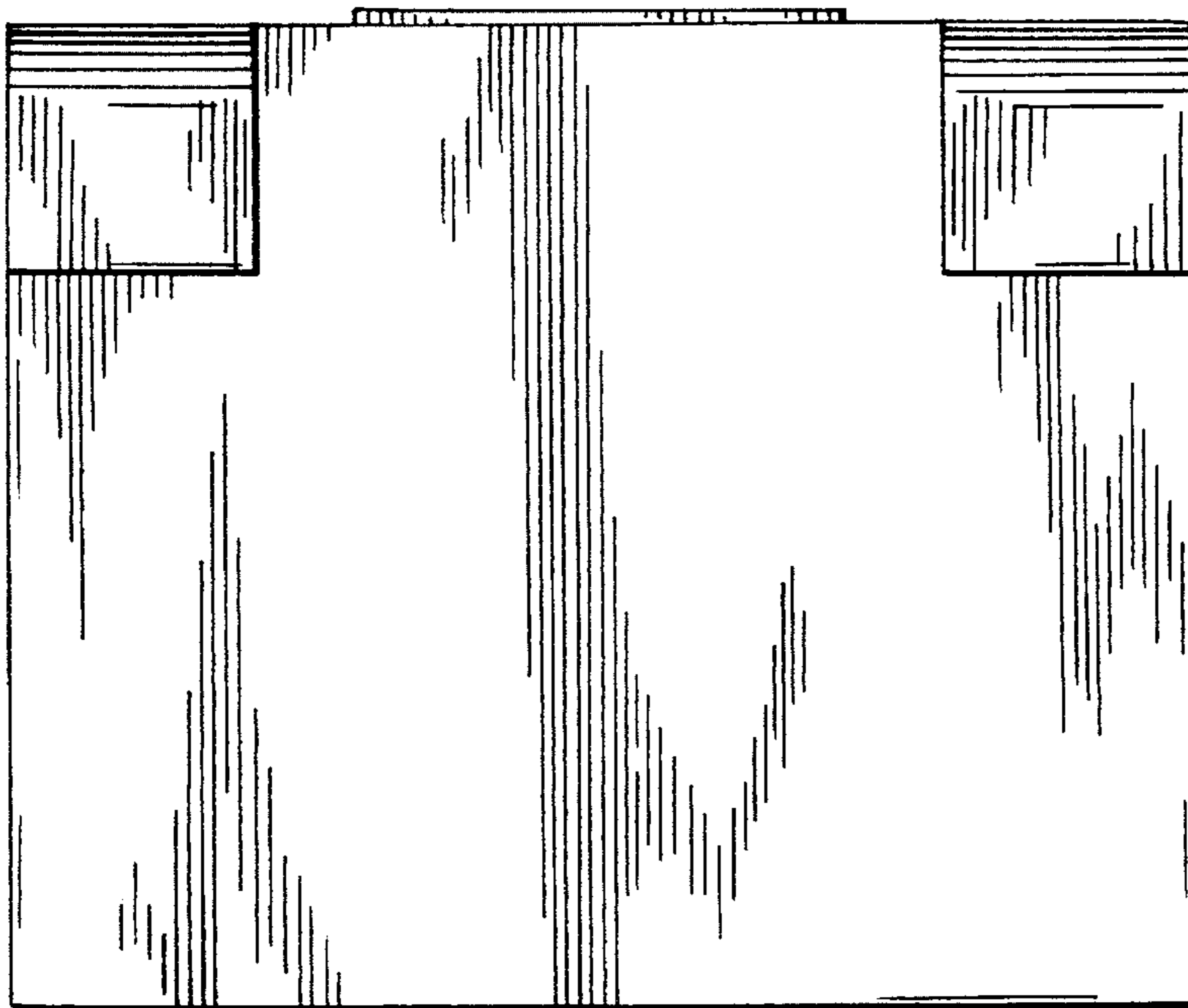


FIG. 5

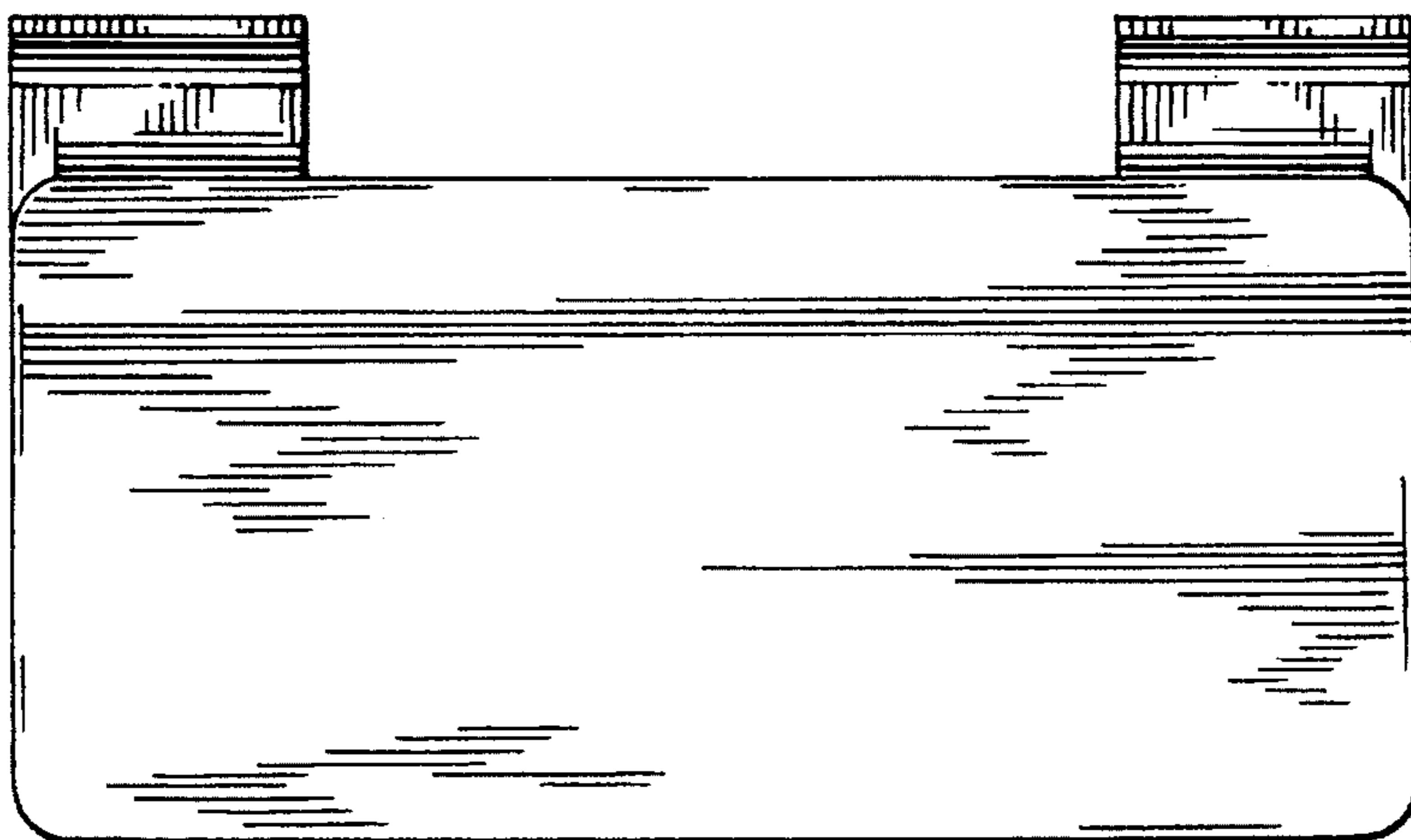


FIG. 6