



US00D366899S

# United States Patent [19] Senshiki

[11] **Patent Number:** **Des. 366,899**  
[45] **Date of Patent:** **\*\*Feb. 6, 1996**

[54] **PAPER FEEDING DEVICE FOR PRINTER**

[75] Inventor: **Yasunori Senshiki**, Tokyo, Japan

[73] Assignee: **Canon Kabushiki Kaisha**, Tokyo, Japan

[\*\*] Term: **14 Years**

[21] Appl. No.: **31,236**

[22] Filed: **Nov. 15, 1994**

### [30] Foreign Application Priority Data

May 18, 1994 [JP] Japan ..... 6-14171

[52] **U.S. Cl.** ..... **D18/49**

[58] **Field of Search** ..... D18/36-46, 49;  
355/200, 308, 309; 358/498; 271/3, 3.1,  
8.1, 9

### [56] References Cited

#### U.S. PATENT DOCUMENTS

D. 272,830 2/1984 Hara et al. .... D18/49  
D. 281,170 10/1985 Hara et al. .... D18/49

D. 310,238 8/1990 Hirata ..... D18/49  
D. 311,755 10/1990 Aoyama et al. .... D18/49  
5,118,089 6/1992 Yamada et al. .... 271/3.16

*Primary Examiner*—Alan P. Douglas  
*Assistant Examiner*—S. Snapp  
*Attorney, Agent, or Firm*—Fitzpatrick, Cella, Harper & Scinto

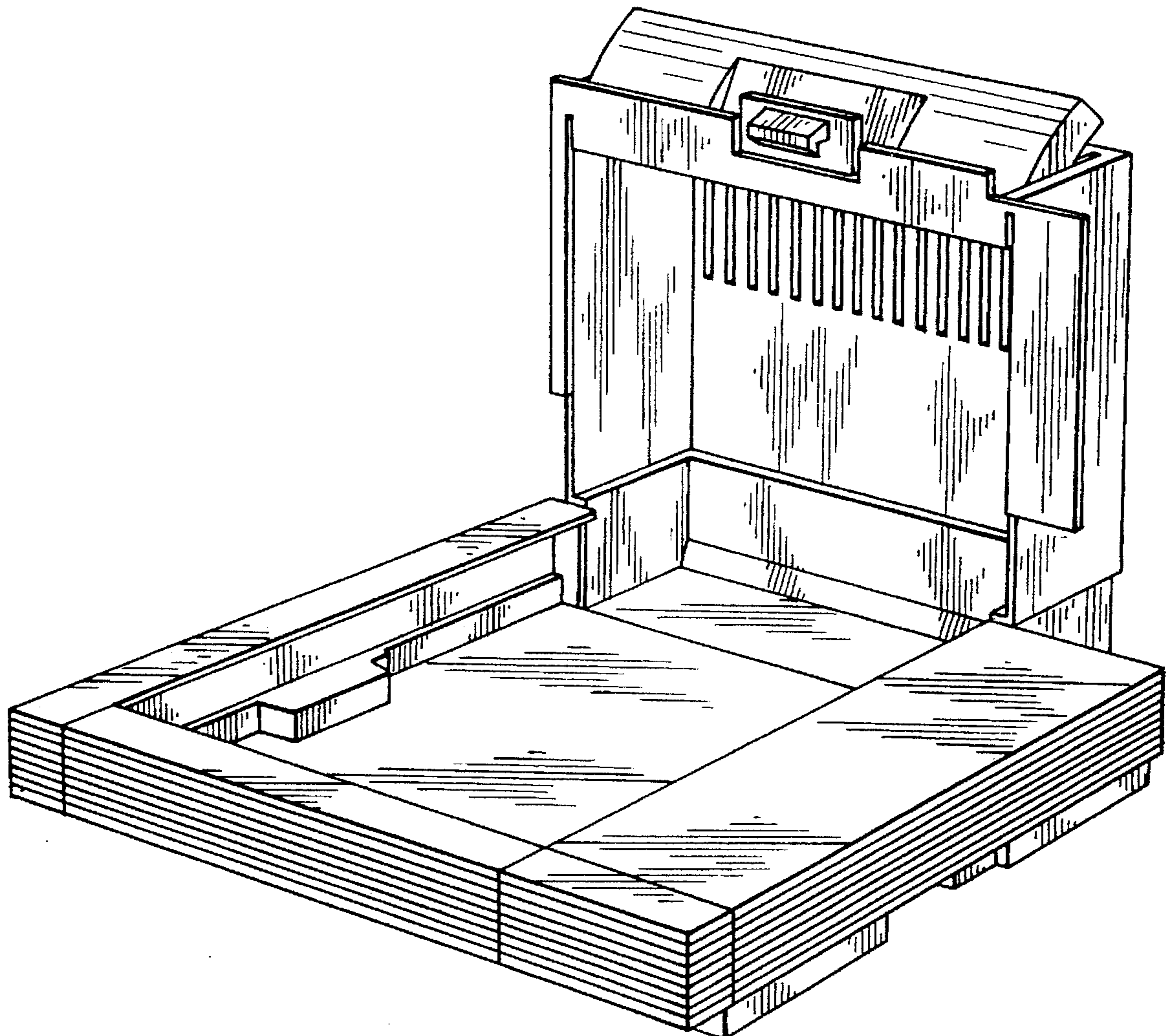
### [57] CLAIM

The ornamental design for a paper feeding device for printer, as shown and described.

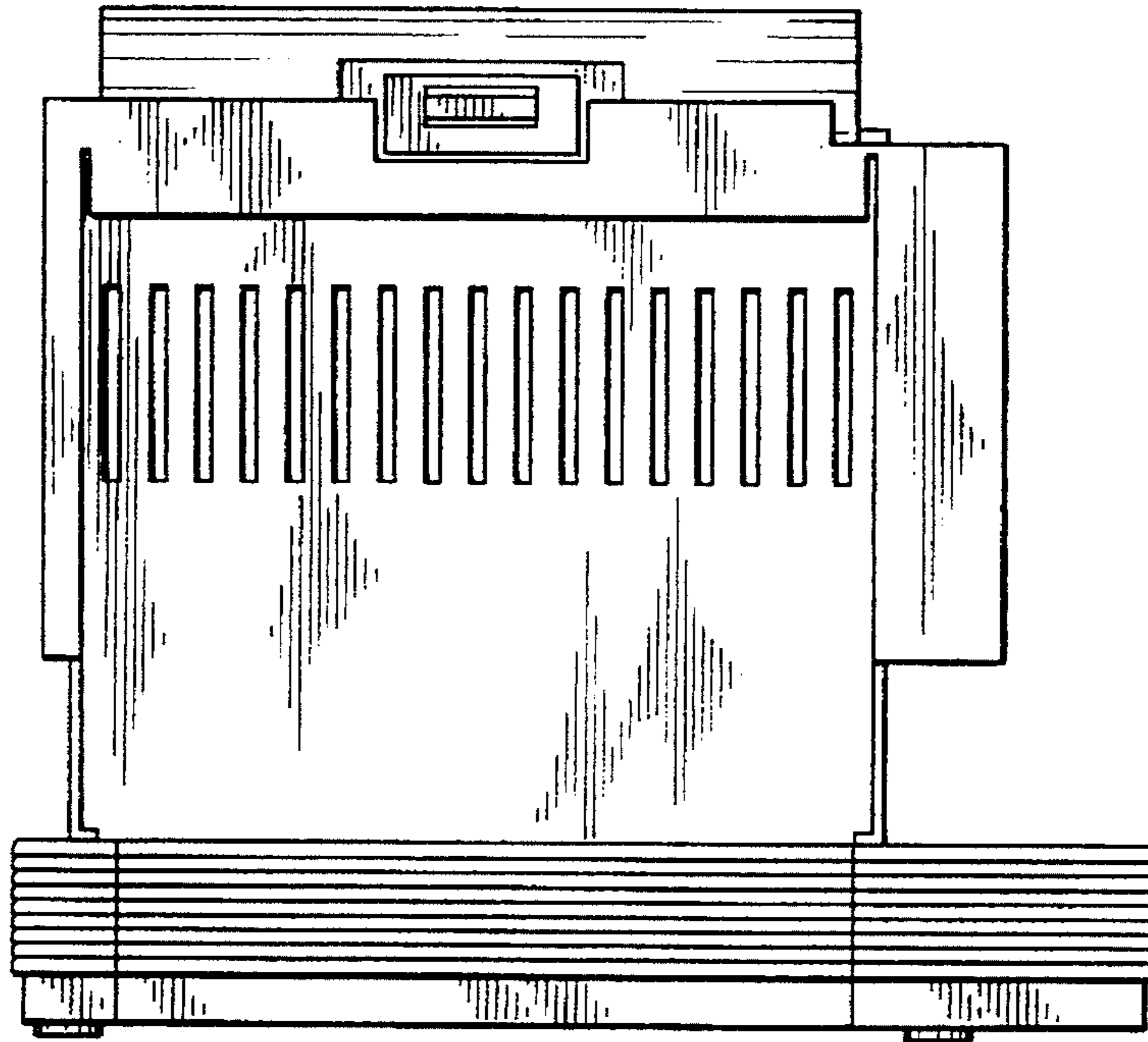
### DESCRIPTION

FIG. 1 is a front elevational view of a paper feeding device for printer showing my new design;  
FIG. 2 is a rear elevational view thereof;  
FIG. 3 is a top plan view thereof;  
FIG. 4 is a bottom plan view thereof;  
FIG. 5 is a left side elevational view thereof;  
FIG. 6 is a right side elevational view thereof; and,  
FIG. 7 is a perspective view thereof.

**1 Claim, 4 Drawing Sheets**



*FIG. 1*



*FIG. 2*

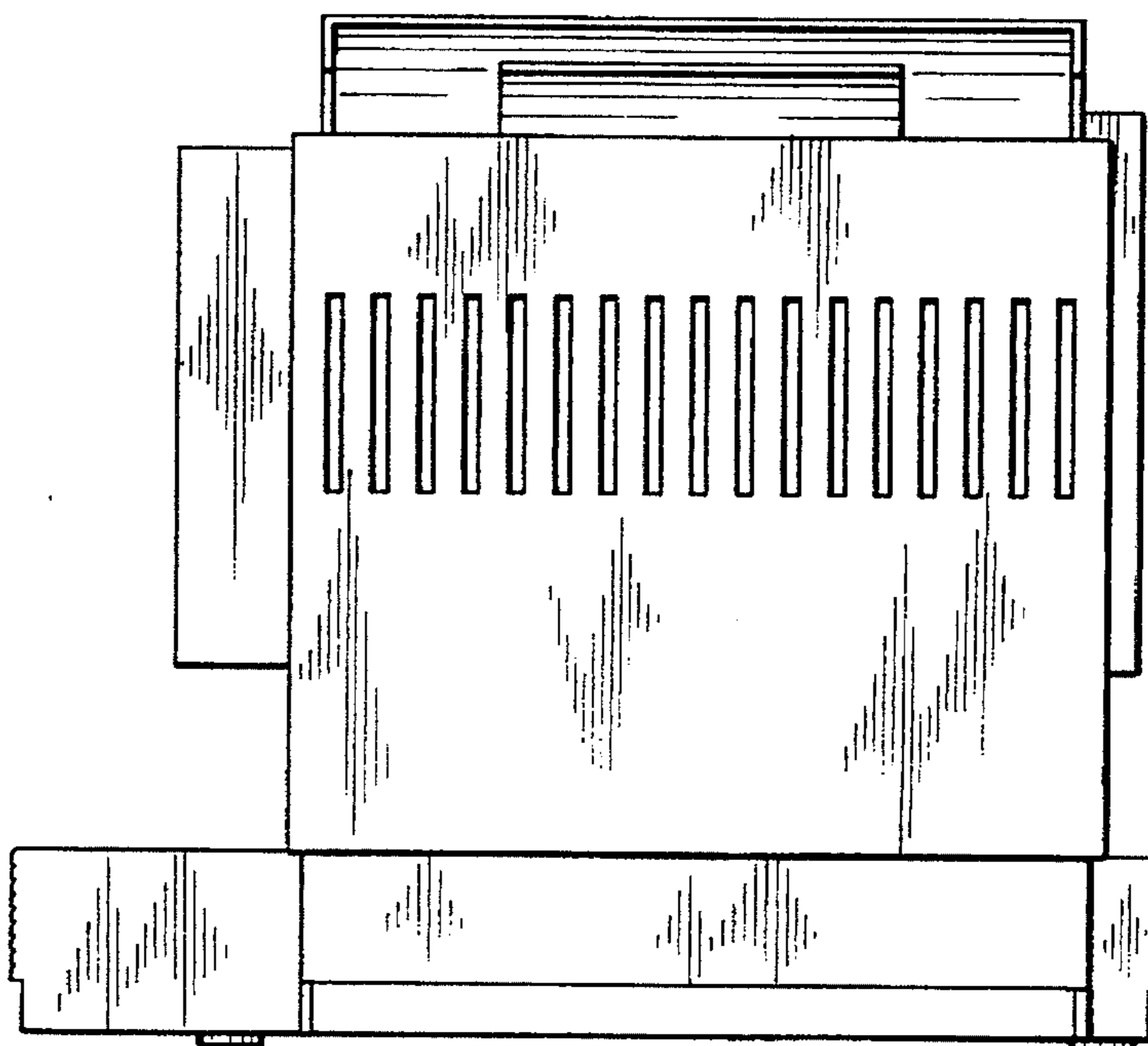


FIG. 3

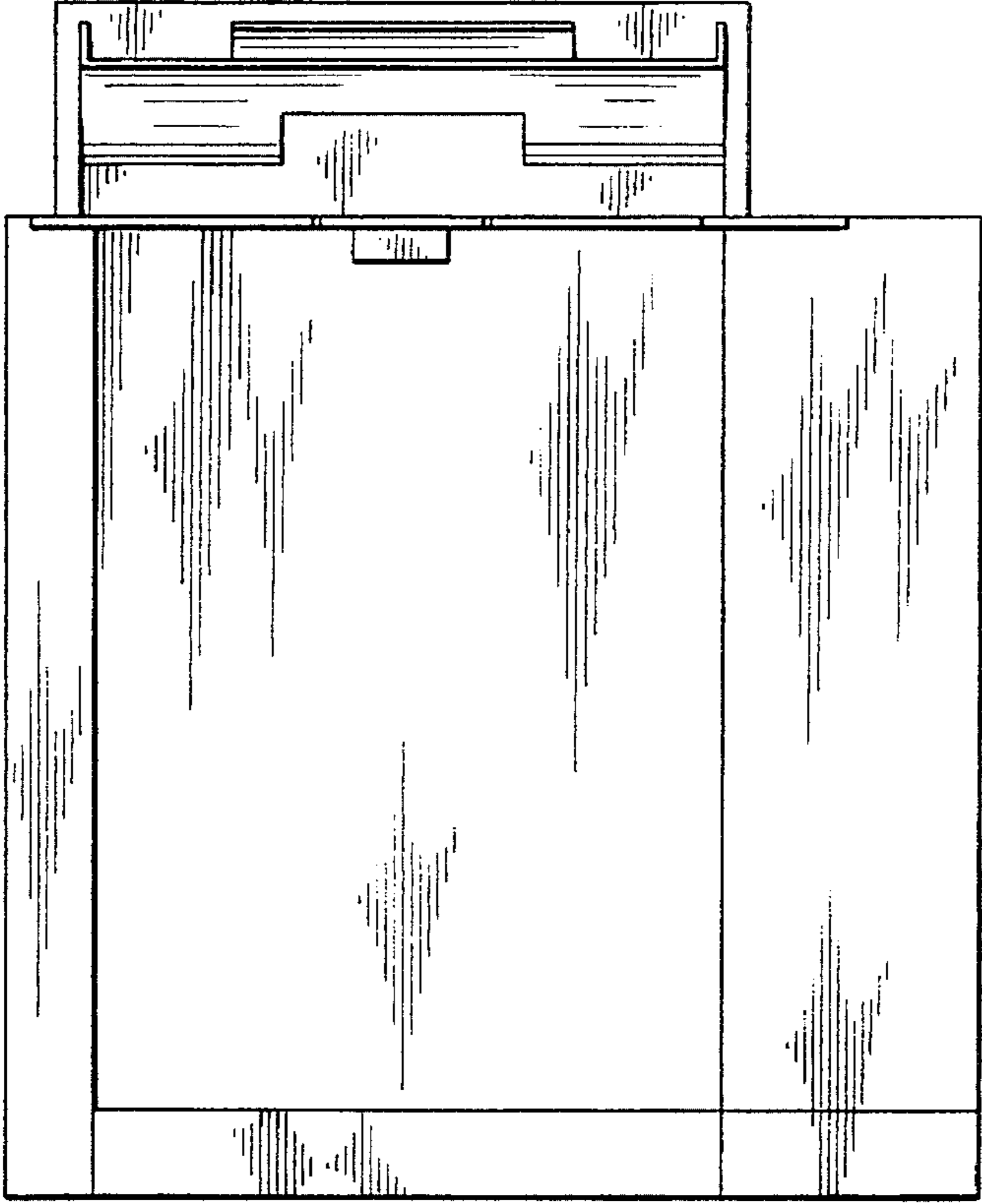


FIG. 4

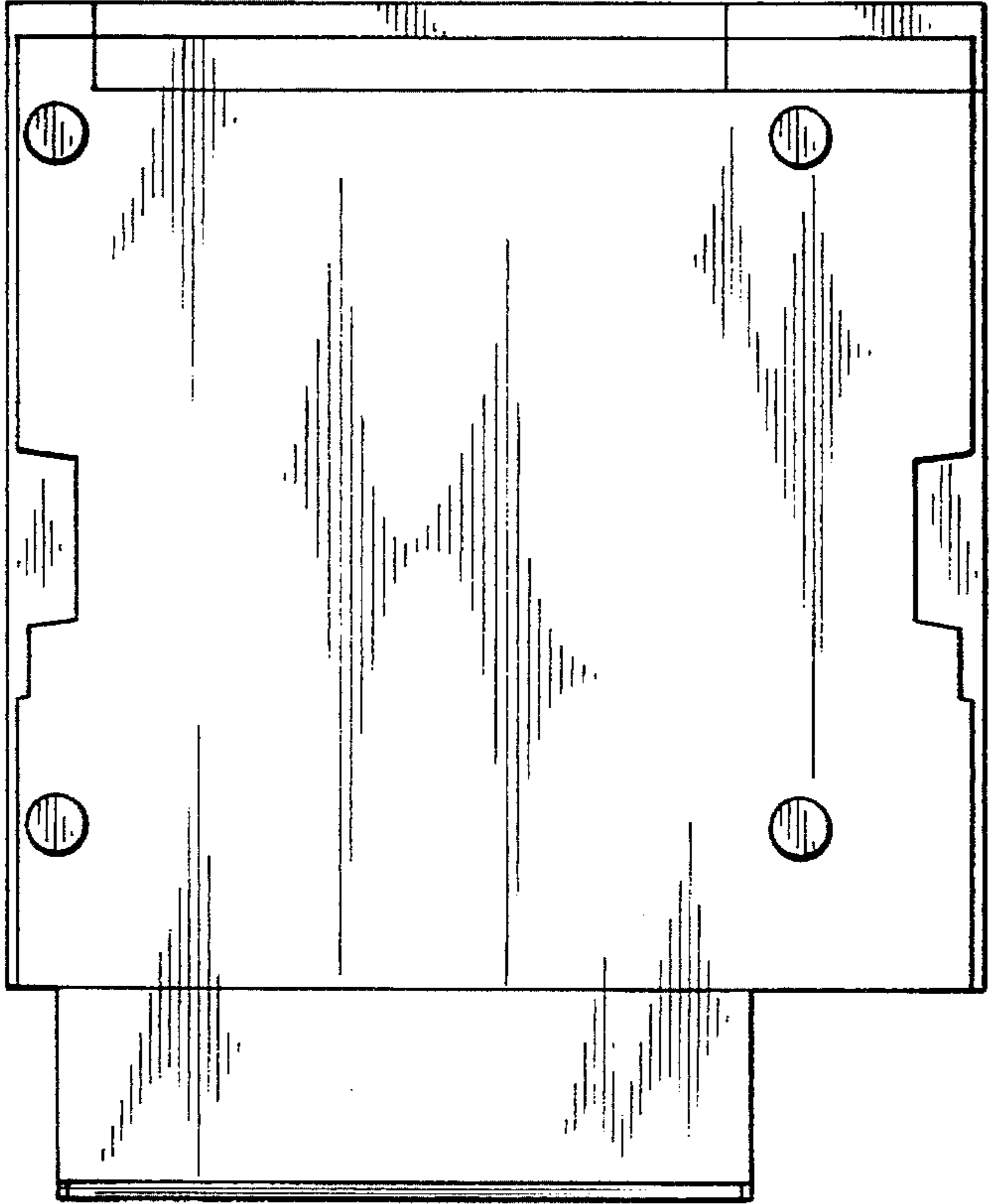


FIG. 5

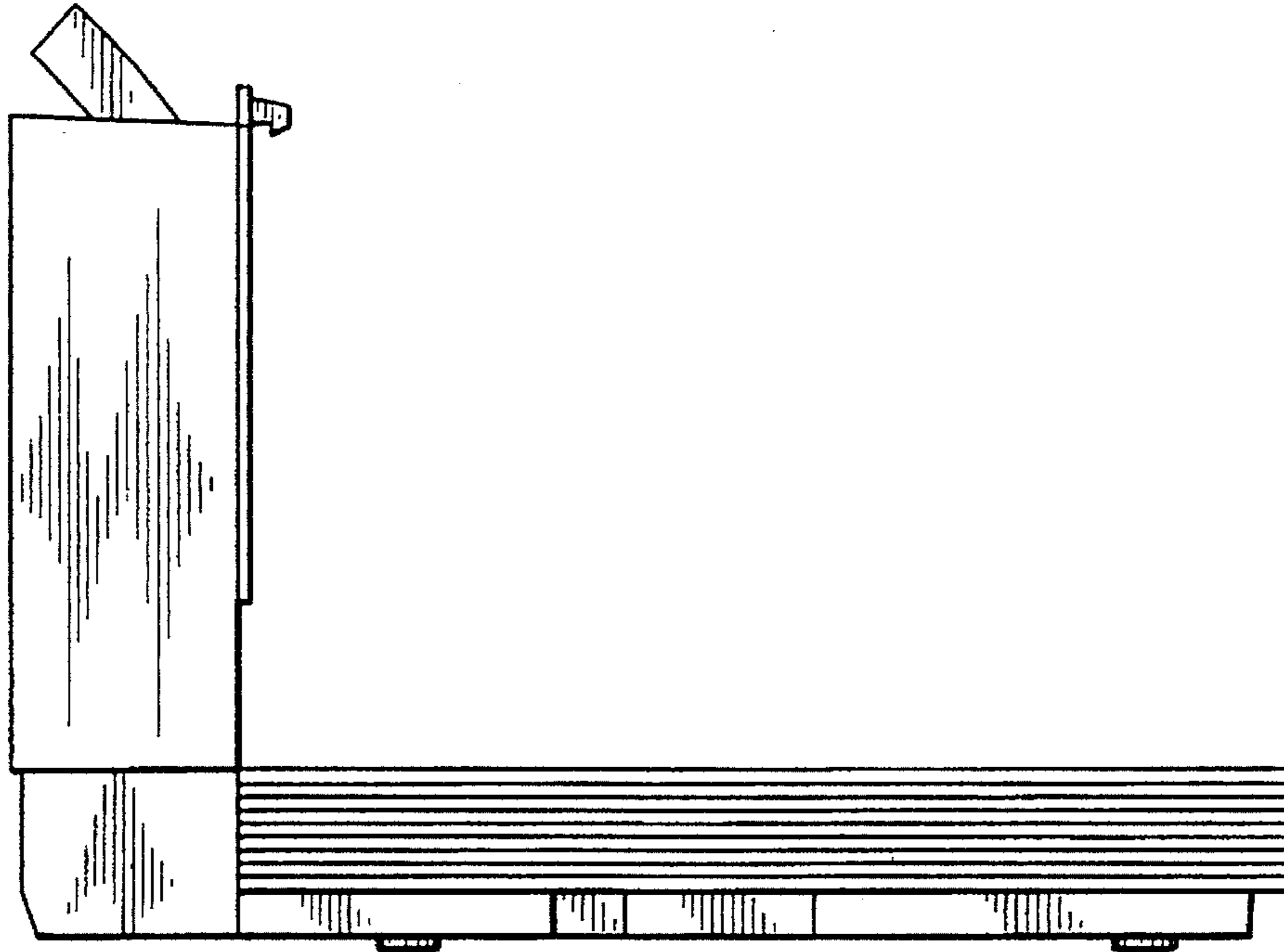


FIG. 6

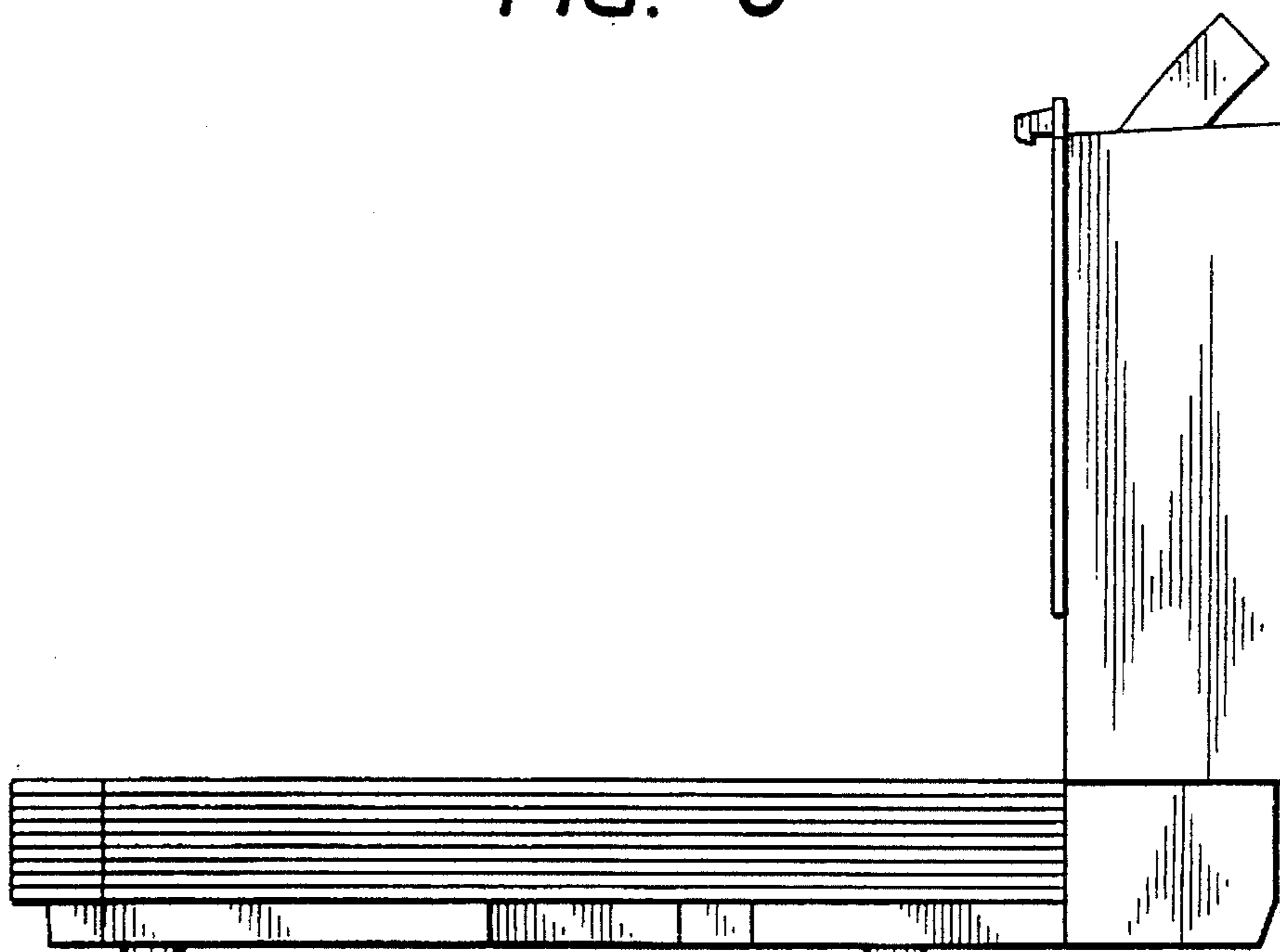


FIG. 7

