



US00D366894S

United States Patent [19] Vesey

[11] Patent Number: **Des. 366,894**

[45] Date of Patent: ****Feb. 6, 1996**

[54] **COMBINED INK PAD HOLDER AND PAD**

[75] Inventor: **John J. Vesey**, Clifton, N.J.

[73] Assignee: **M&R Marking Systems, Inc.**,
Piscataway, N.J.

[**] Term: **14 Years**

[21] Appl. No.: **38,520**

[22] Filed: **May 5, 1995**

[52] U.S. Cl. **D18/17; D19/70**

[58] Field of Search **D18/14, 15, 17,
D18/18; D19/65, 70; 101/327, 368, 405,
406, 333, 334, 335; 118/248, 258, 264,
268, 269, 270**

[56] **References Cited**

U.S. PATENT DOCUMENTS

- D. 219,842 2/1971 Miller .
- D. 232,001 7/1974 Funahashi .
- D. 247,063 1/1978 Funahashi .
- 1,945,792 2/1934 Stephens .
- 2,674,977 4/1954 Munson 118/264
- 4,445,868 5/1984 Nuttal et al. .
- 5,259,878 11/1993 Buan et al. .

FOREIGN PATENT DOCUMENTS

- 24348 9/1956 Germany .

OTHER PUBLICATIONS

Jacobs Gardner Office Products © 1991, See p. 671, circled
Stamp Pad page center.
Modern Plastics; Jan. 1941; p. 39; Henriette, Inc. compact.

Copy of a page from the Shachihata catalog published in 1992.

Copy of a page from the Marking Industry Magazine, vol. 89, No. 11, Jul. 1994.

Primary Examiner—Martie Thompson
Attorney, Agent, or Firm—Lerner, David, Littenberg, Krumholz & Mentlik

[57] **CLAIM**

The ornamental design for a combined ink pad holder and pad, as shown and described.

DESCRIPTION

FIG. 1 is a perspective view of a combined ink pad holder and pad showing my new design;

FIG. 2 is a front view thereof (the rear view being a mirror image of the front view);

FIG. 3 is a left side view thereof (the right side view being a mirror image of the left side view);

FIG. 4 is a top plan view thereof;

FIG. 5 is a bottom plan view thereof; and,

FIG. 6 is a top plan view of a second embodiment of the combined ink pad holder and pad shown in FIGS. 1 and 4, the front, rear, bottom, right and left side views are identical to the first embodiment.

1 Claim, 2 Drawing Sheets

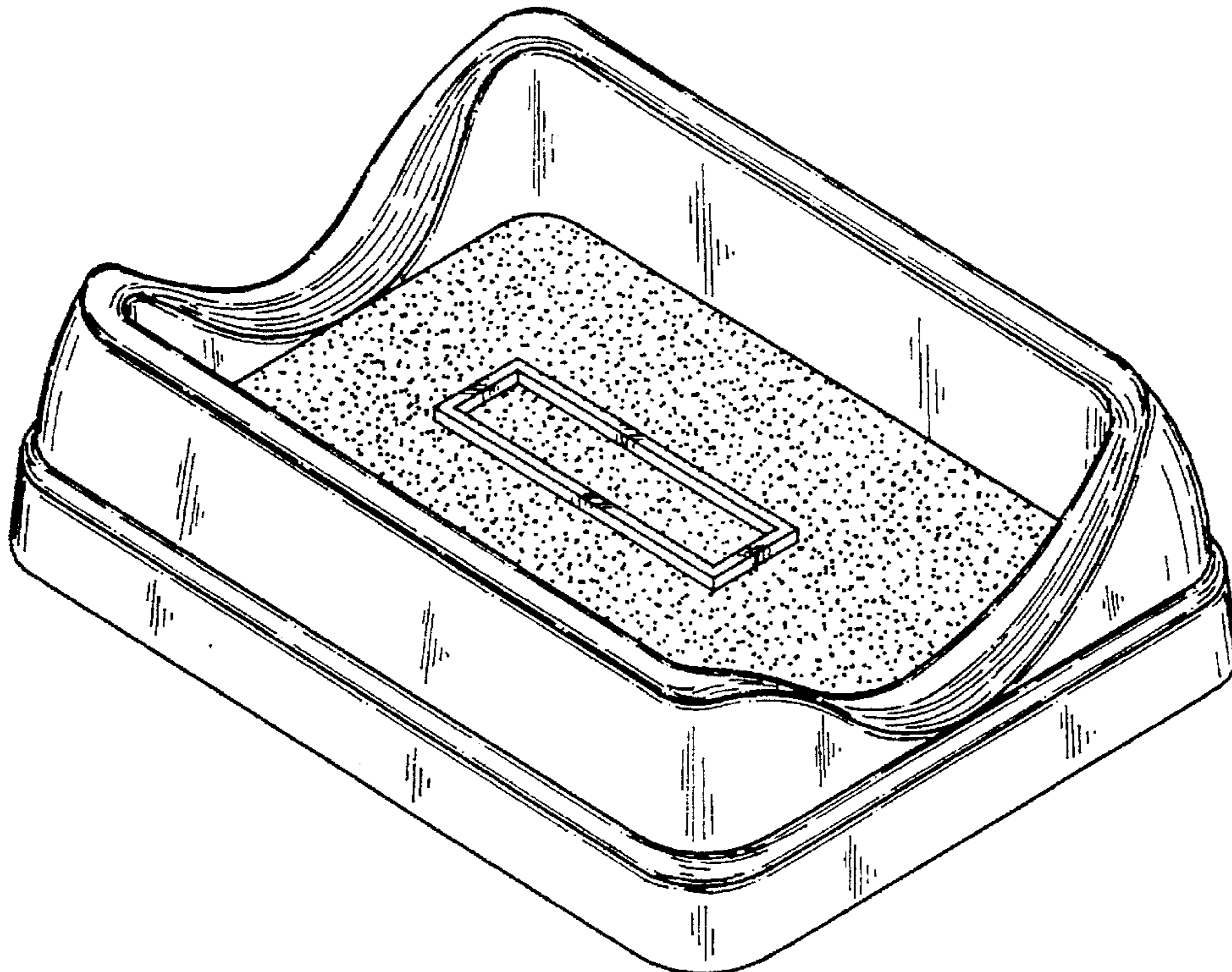


FIG. 1

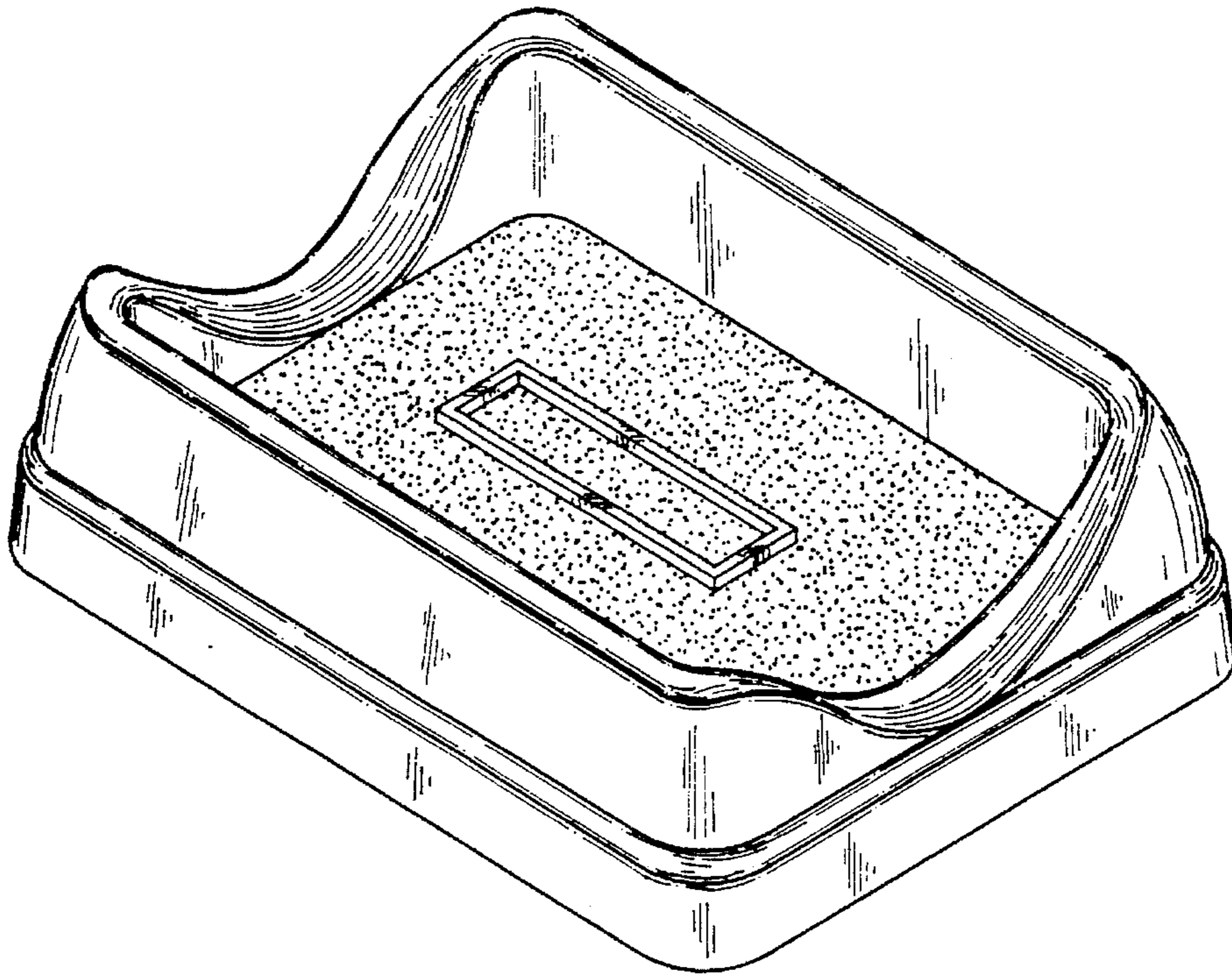


FIG. 2

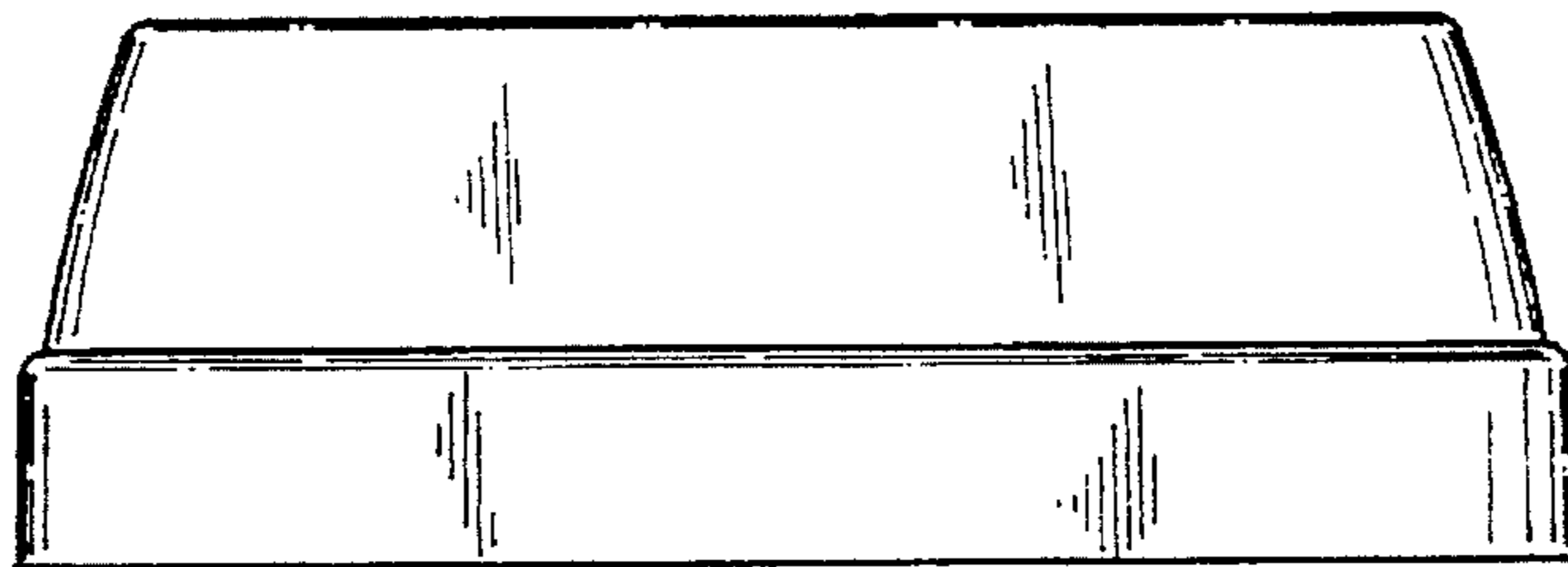


FIG. 3

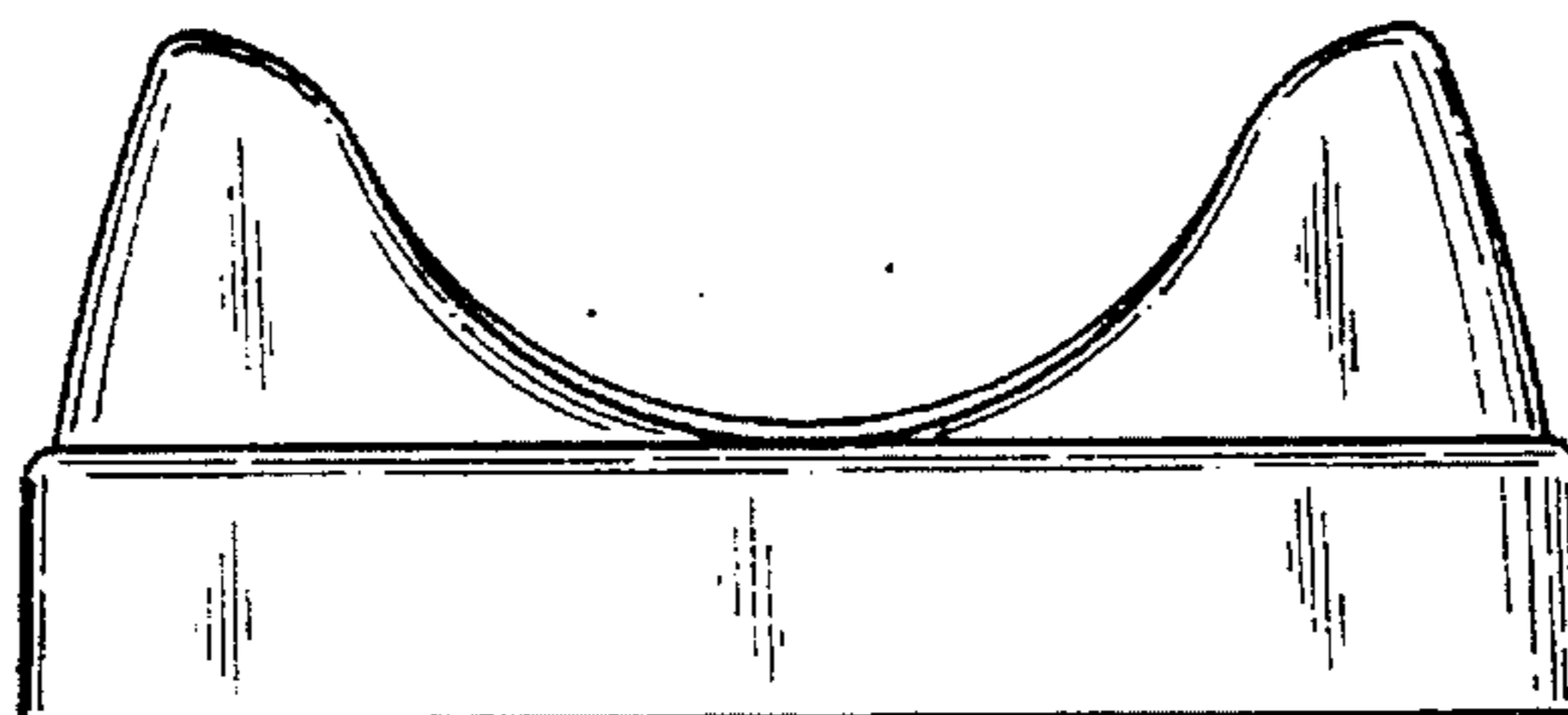


FIG. 4

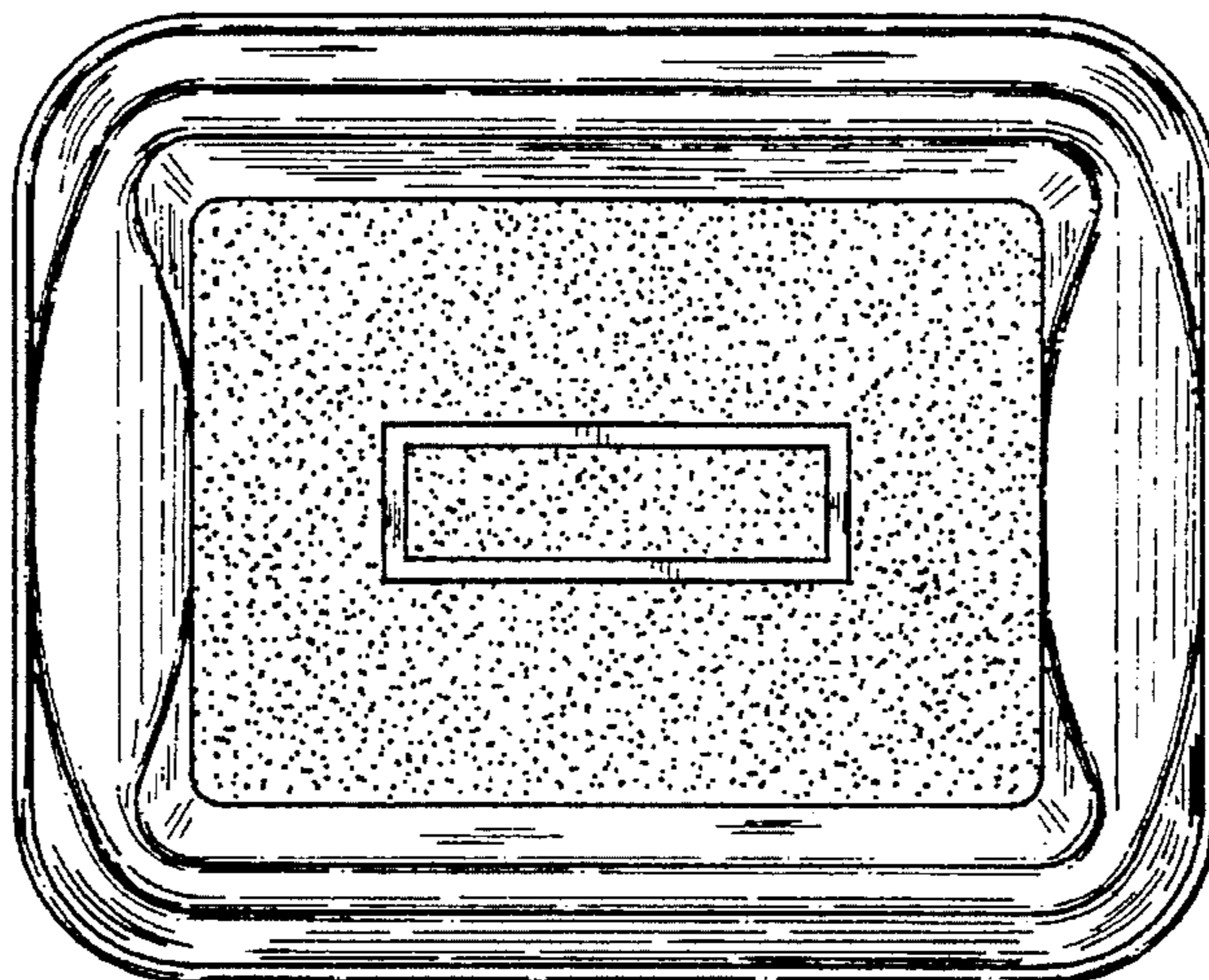


FIG. 5

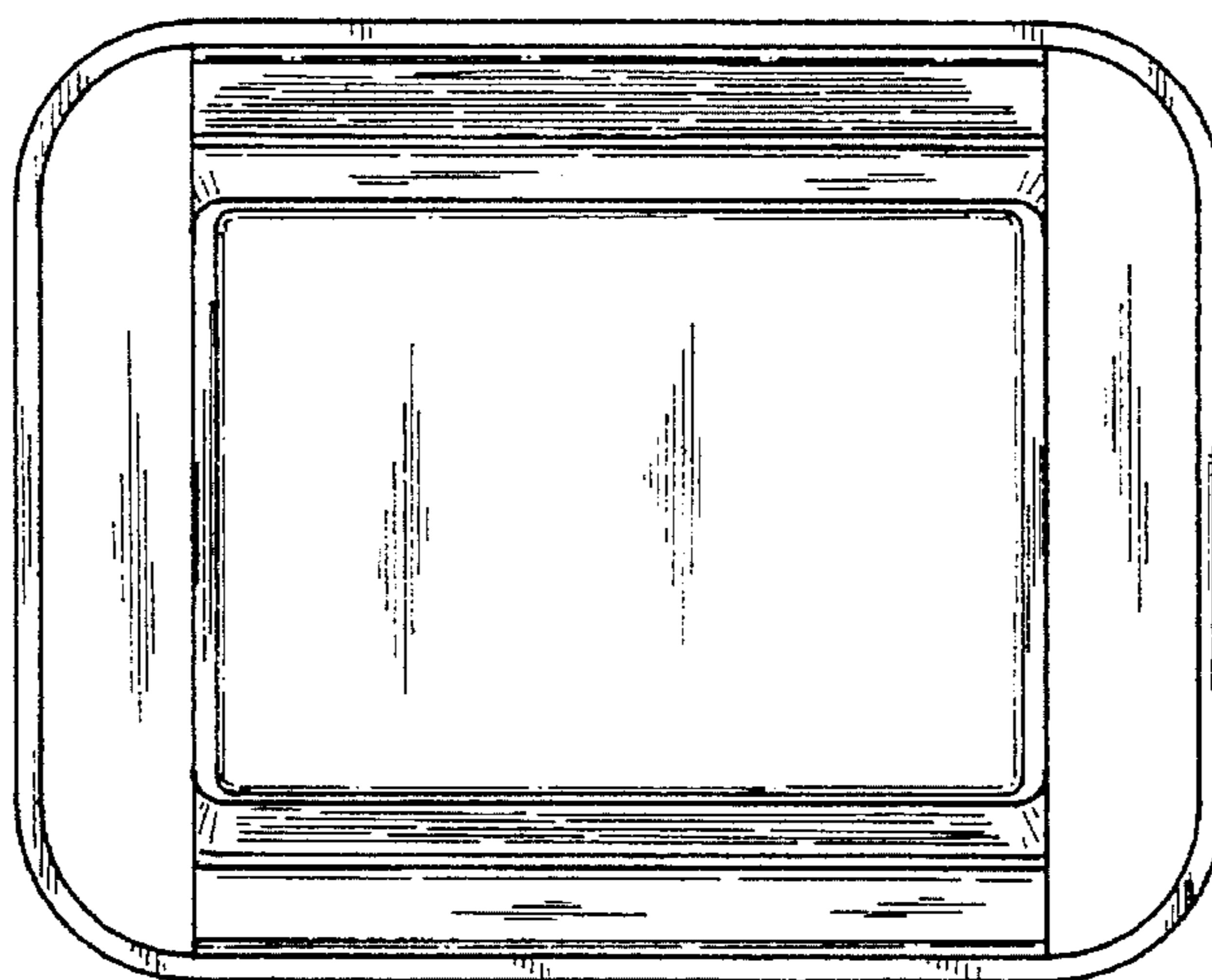


FIG. 6

