



US00D366889S

United States Patent [19]

[11] Patent Number: **Des. 366,889**

Lin

[45] Date of Patent: ****Feb. 6, 1996**

[54] **EYEWEAR**

[76] Inventor: **Titan Lin**, 3F. No. 8, Lane 61, Kang Leh Street, Ney Hwu, Taipei, Taiwan

[**] Term: **14 Years**

[21] Appl. No.: **30,009**

[22] Filed: **Sep. 28, 1994**

[52] U.S. Cl. **D16/314; D16/325**

[58] Field of Search **D16/313-316, D16/320-330, 335, 337, 338; 351/44, 46, 103, 110, 132, 136, 158; 2/432, 437, 433, 439, 12**

[56] **References Cited**

U.S. PATENT DOCUMENTS

D. 319,066	8/1991	Bolle	D16/314
D. 323,515	1/1992	Arbez	D16/313
D. 327,081	6/1992	Nakamura et al.	D16/313
D. 337,595	7/1993	Reymondet et al.	D16/112
D. 354,068	1/1995	Canayan et al.	D16/313
D. 355,203	2/1995	Mugnier	D16/314
4,515,448	5/1985	Tackles	351/41
4,741,611	5/1988	Burns	351/44
4,859,048	8/1989	Jannard	351/159

OTHER PUBLICATIONS

American Bicyclist & Motorcyclist, Mar. 1988 p. 40 sunglasses in center of page.

Brochure for ECLIPSE™ Protective Eyewear, Willson Safety Products, 1992.

Photographs of ALLSAFE protective eyewear, Date is prior to filing date of this application.

Primary Examiner—Ted Shooman

Assistant Examiner—R. Barkai

Attorney, Agent, or Firm—Seidel Gonda Lavorgna & Monaco

[57] **CLAIM**

The ornamental design of eyewear, as shown and described.

DESCRIPTION

FIG. 1 is a top right perspective view of an eyewear showing the new design;

FIG. 2 is a rear elevation thereof;

FIG. 3 is a front elevation thereof;

FIG. 4 is a right side elevation thereof;

FIG. 5 is a left side elevation thereof;

FIG. 6 is a top plan view thereof; and,

FIG. 7 is a bottom plan view thereof.

1 Claim, 5 Drawing Sheets

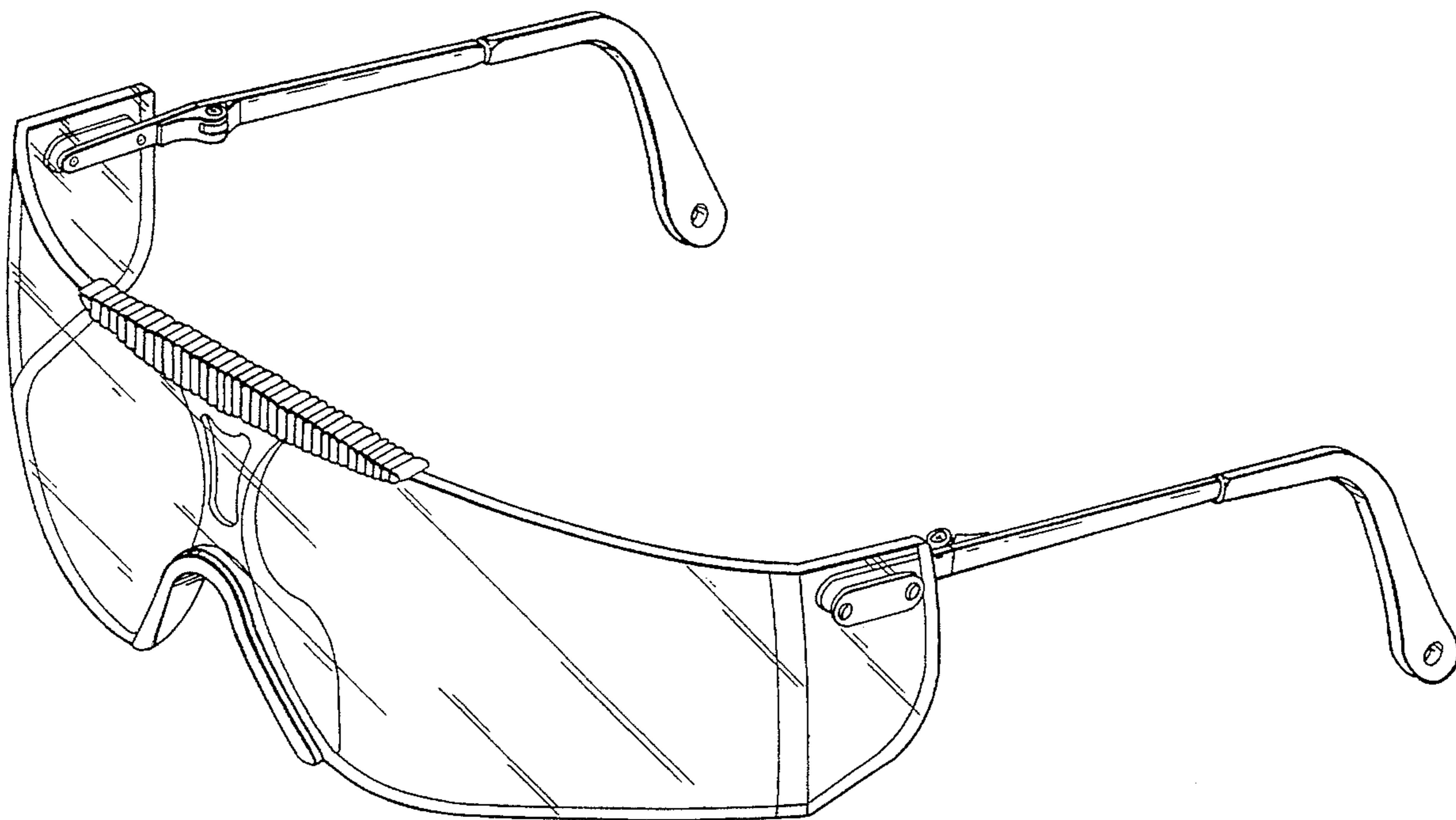


FIG. 1

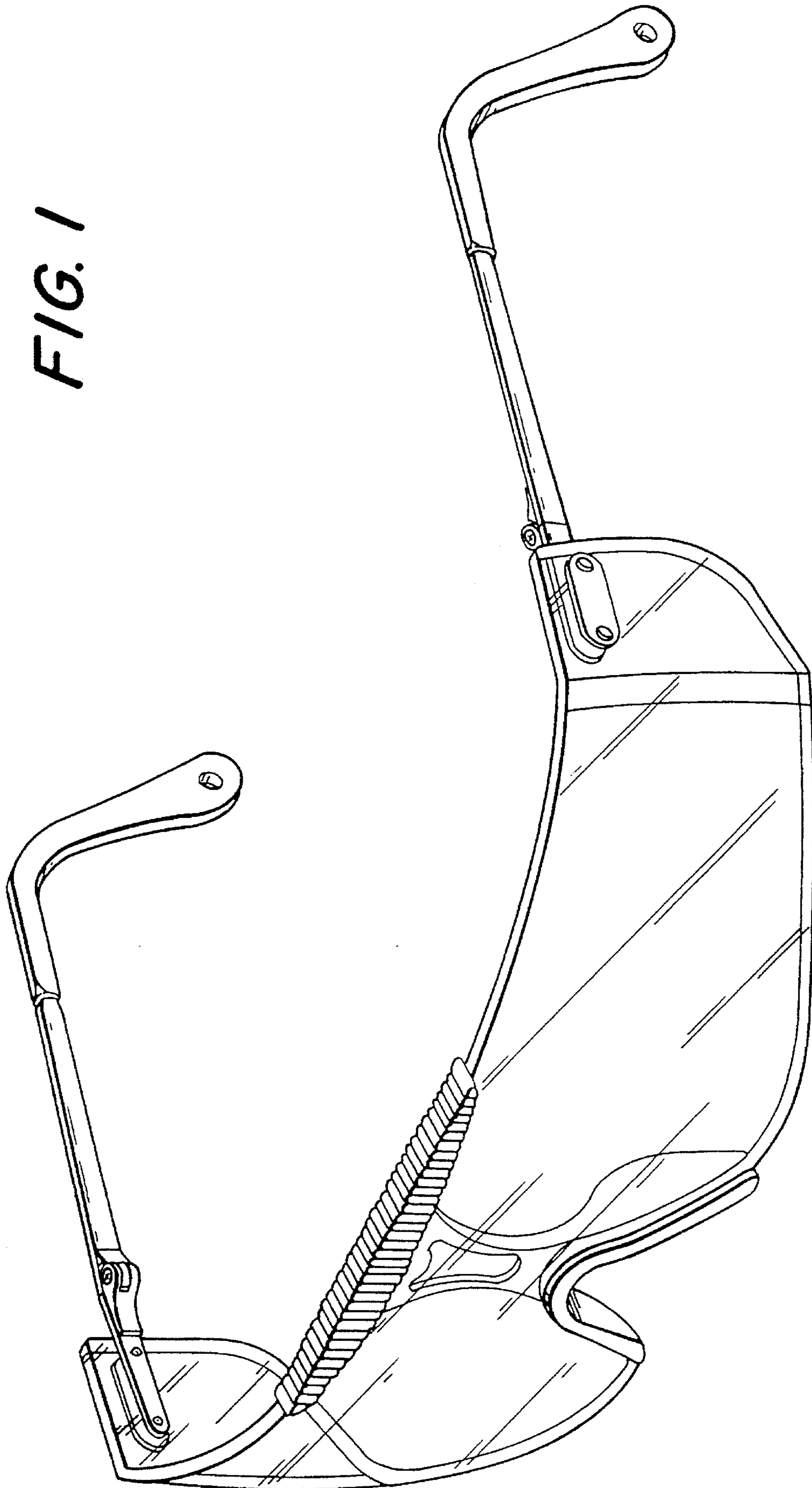


FIG. 2

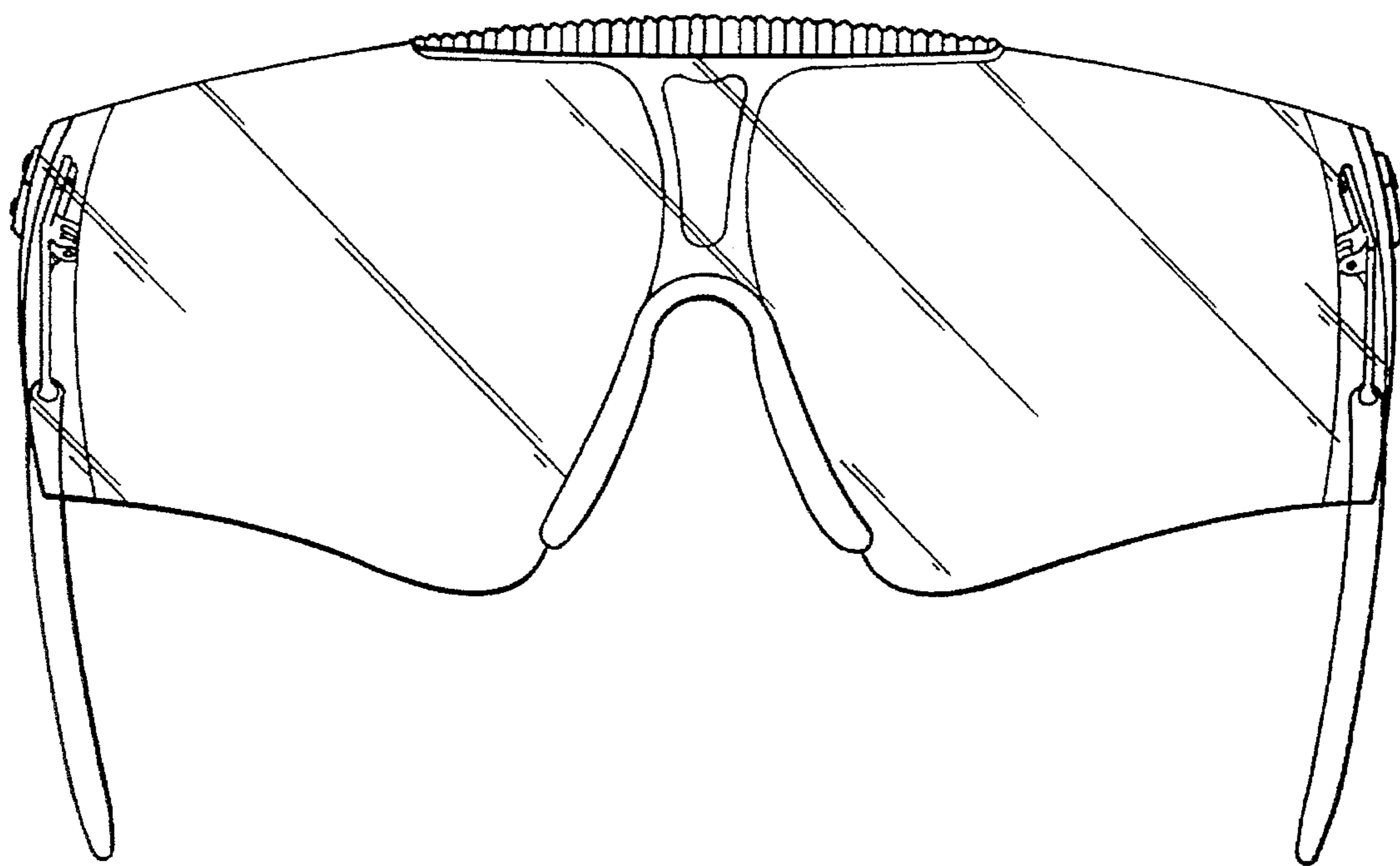
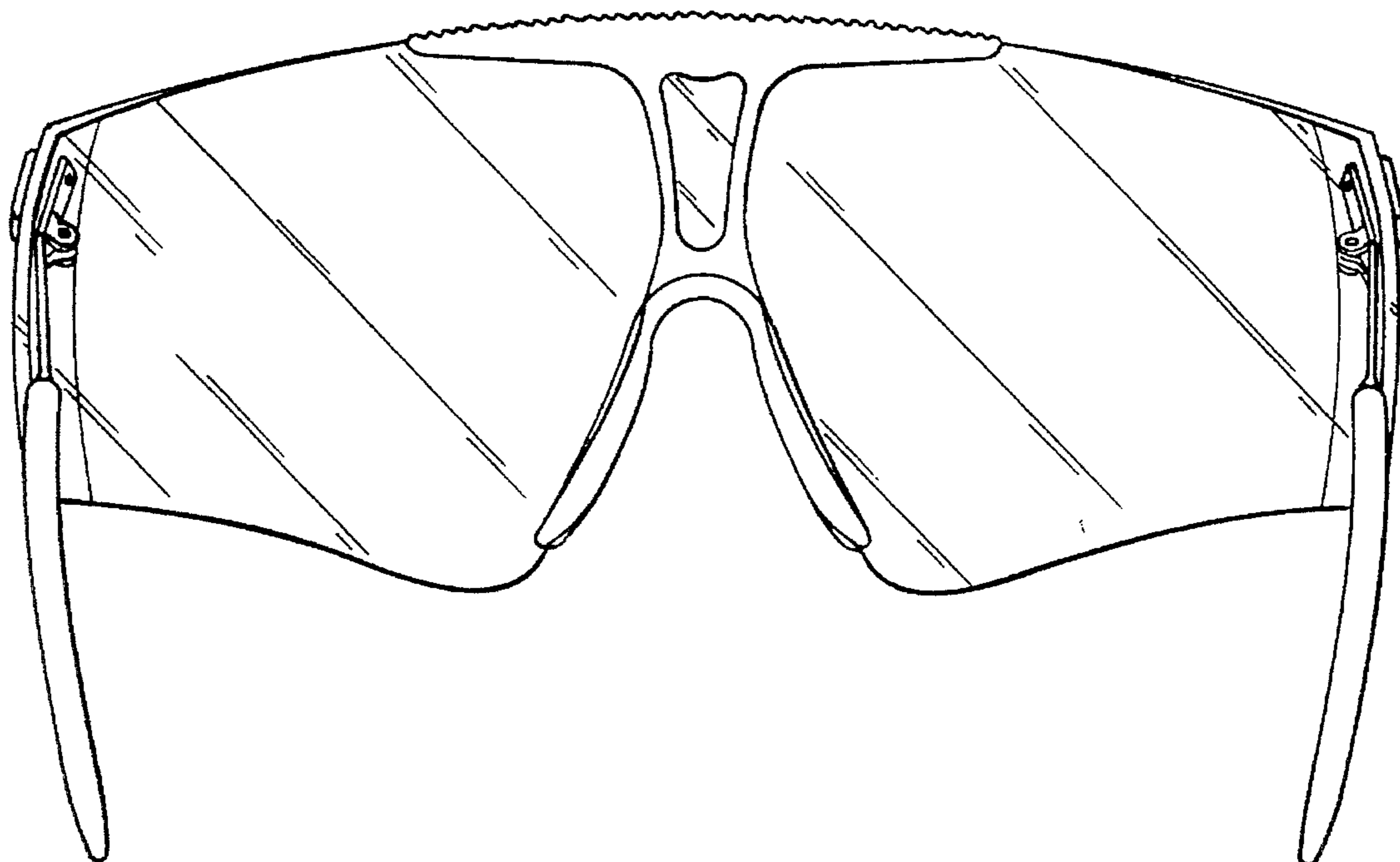


FIG. 3

FIG. 4

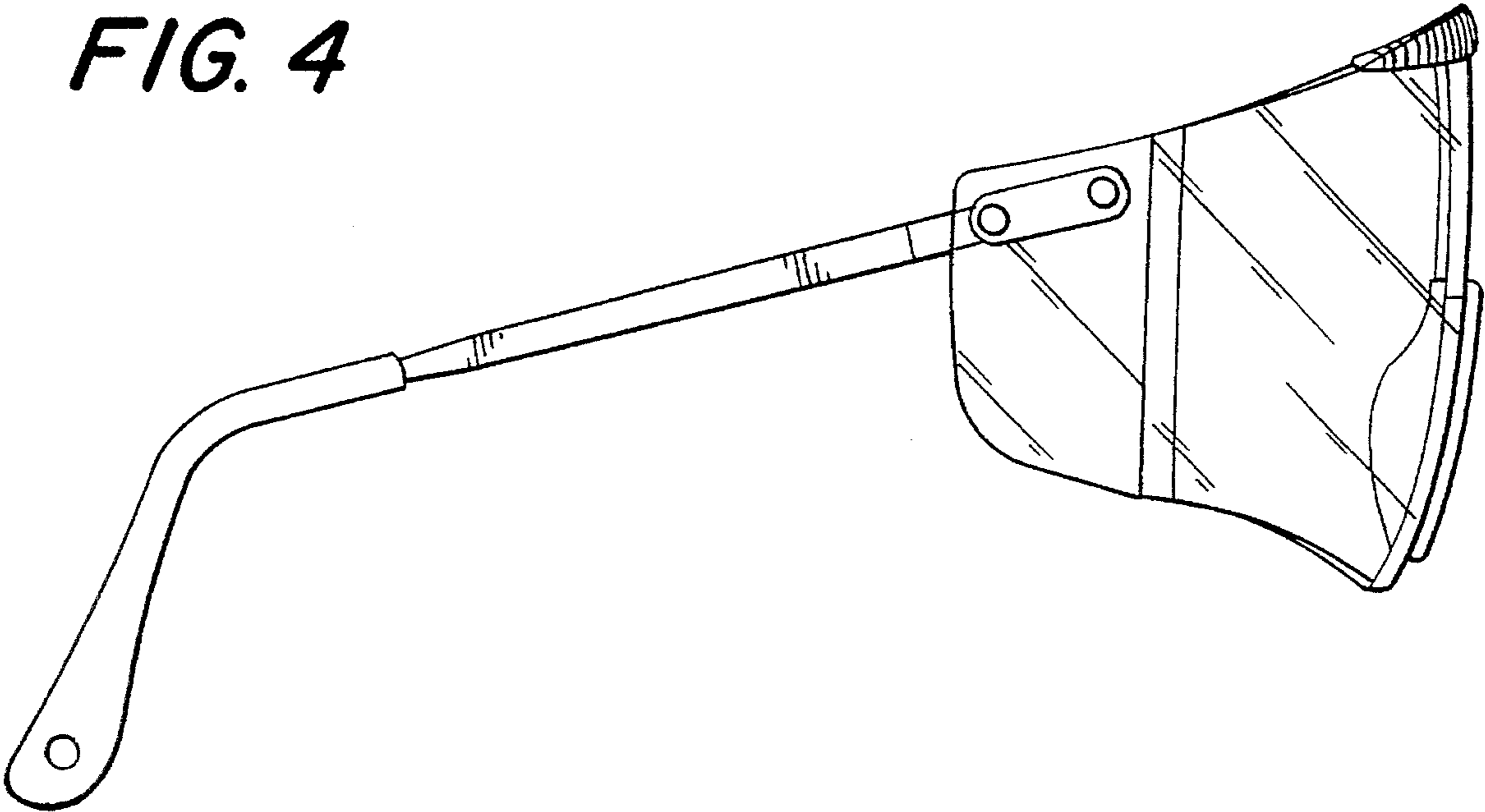


FIG. 5

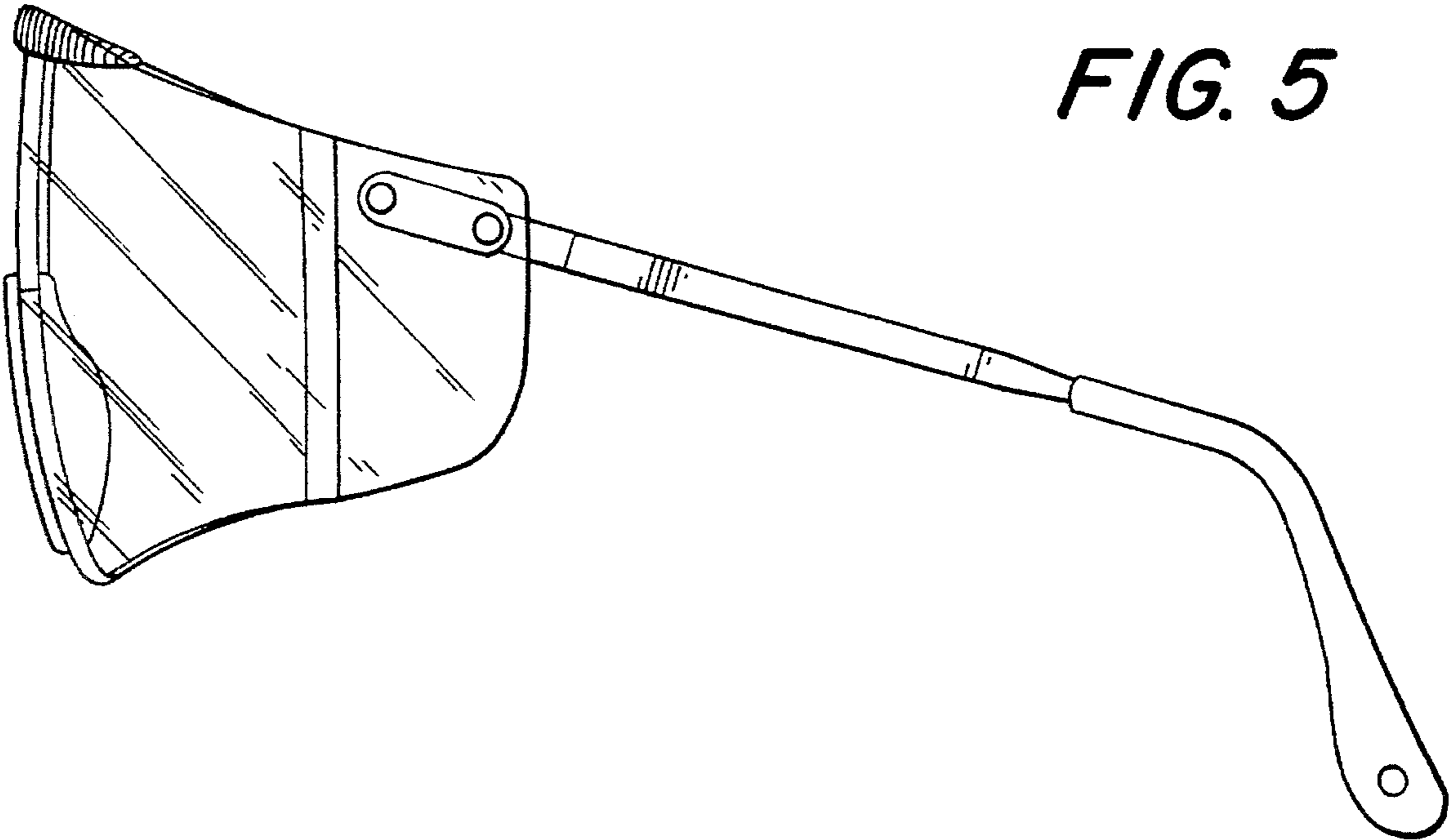


FIG. 6

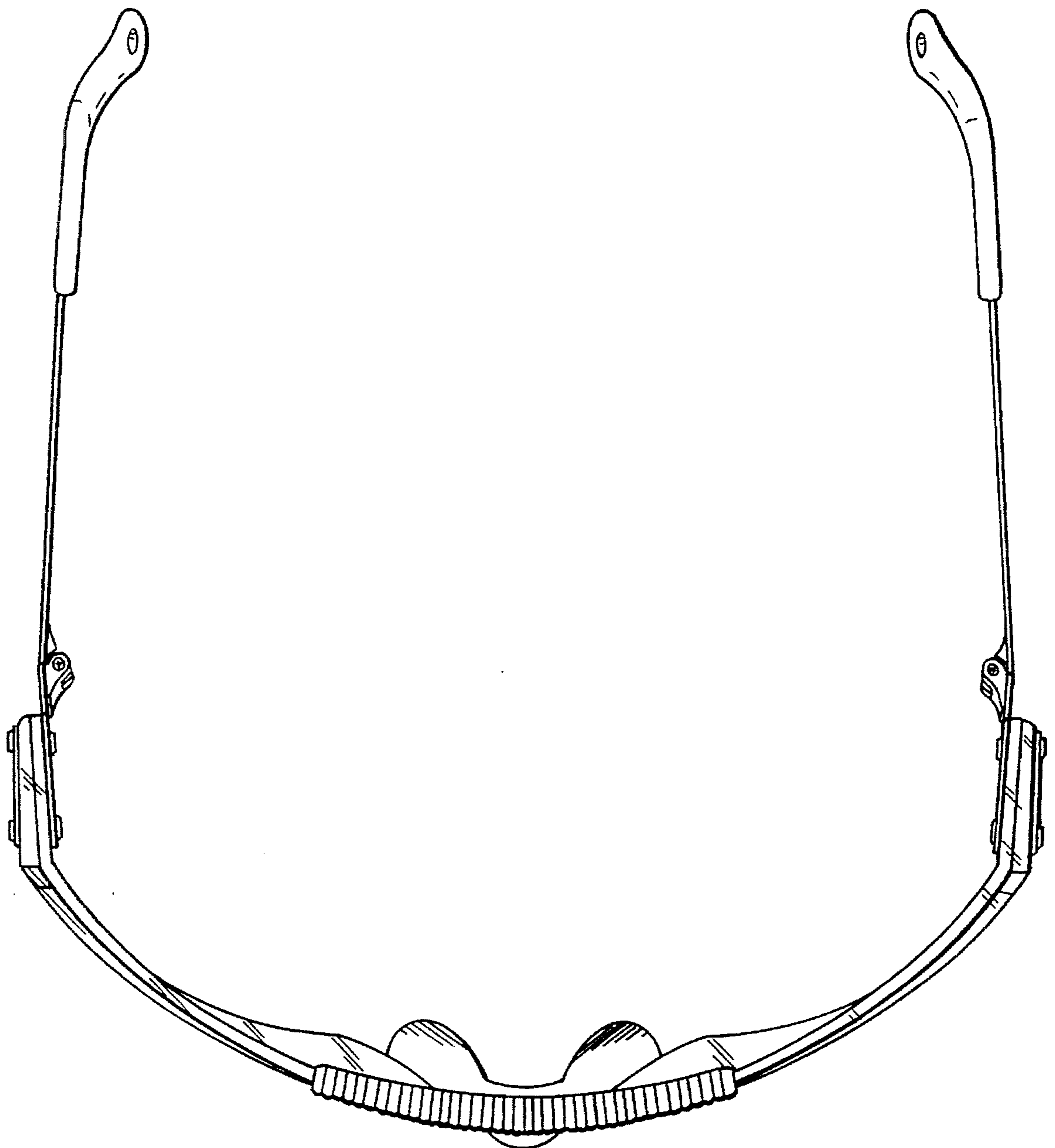


FIG. 7

