



US00D366887S

United States Patent [19] Wood

[11] **Patent Number:** **Des. 366,887**
[45] **Date of Patent:** ****Feb. 6, 1996**

[54] **OPTICAL EQUIPMENT MOUNT**

[76] Inventor: **H. Keith Wood**, 1321 Meadow Cir.,
Laurel, Mont. 59044

[**] Term: **14 Years**

[21] Appl. No.: **36,336**

[22] Filed: **Mar. 17, 1995**

[52] U.S. Cl. **D16/242; D16/245**

[58] Field of Search **D16/237, 242,
D16/243, 244, 245; 248/178, 180, 183,
185, 206.2, 206.3, 206.4; 352/243; 354/293**

[56] **References Cited**

U.S. PATENT DOCUMENTS

D. 245,988	10/1977	Miller	D16/245
D. 246,528	11/1977	Miller	D16/245
D. 292,982	12/1987	Nakatani	D16/245
D. 323,339	1/1992	Ishikawa	D16/245
D. 344,970	3/1994	Hanke	D16/245
3,176,602	4/1965	Wilt	354/293
4,439,032	3/1984	Congdon	354/293
4,955,568	9/1990	O'Connor et al.	248/183

OTHER PUBLICATIONS

The British Journal of Photography Advertisements, Jun.
1970 p. xxi.

Primary Examiner—Ted Shooman

Assistant Examiner—Adir Aronovich
Attorney, Agent, or Firm—Wells, St. John, Roberts, Gregory
& Matkin

[57] **CLAIM**

The ornamental design for an optical equipment mount, as shown and described.

DESCRIPTION

FIG. 1 is a perspective top, frontal view of an optical equipment mount, showing my new design;

FIG. 2 is a front elevation view thereof;

FIG. 3 is a rear elevation view thereof;

FIG. 4 is a right side elevation view thereof;

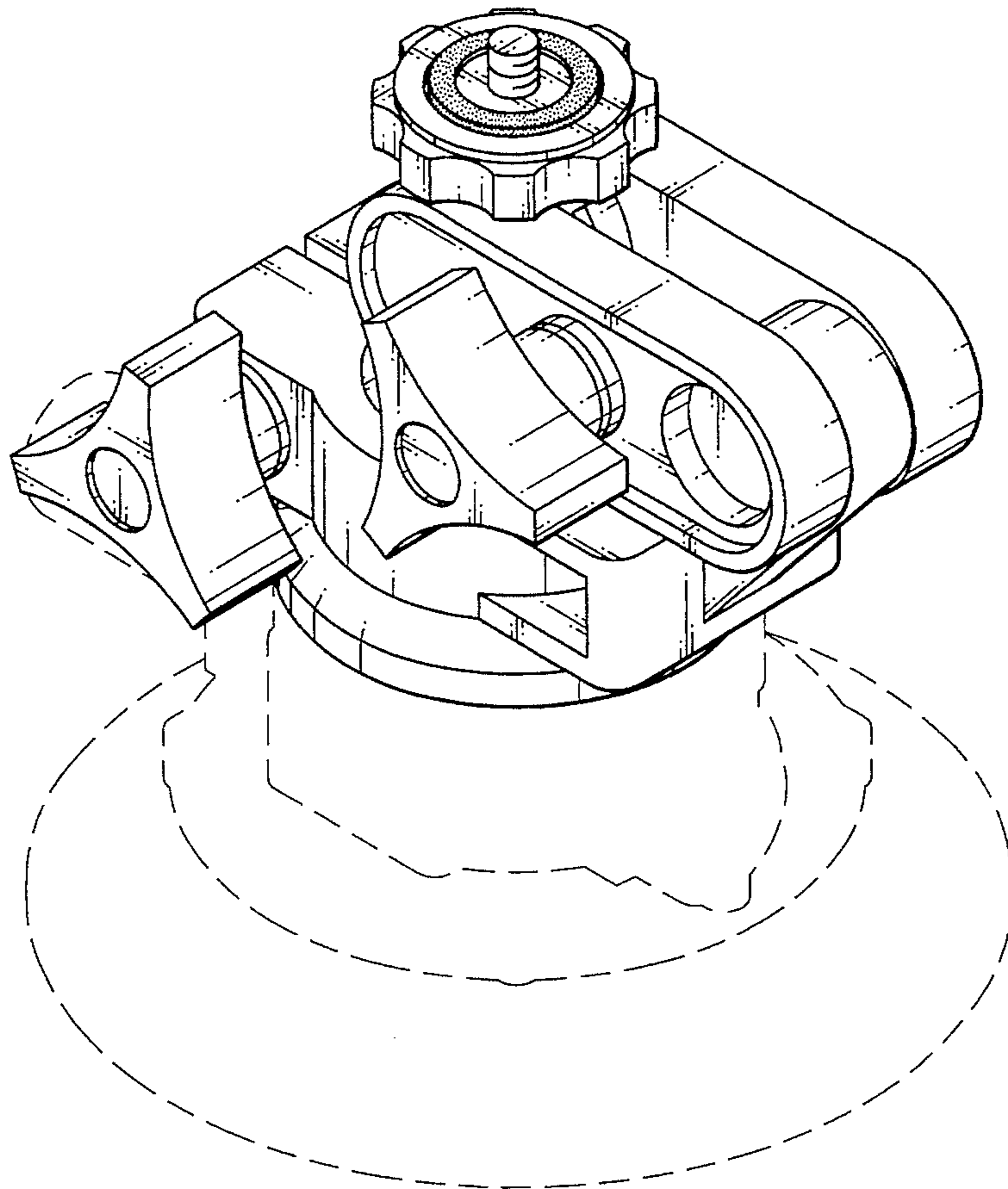
FIG. 5 is a left side elevation view thereof;

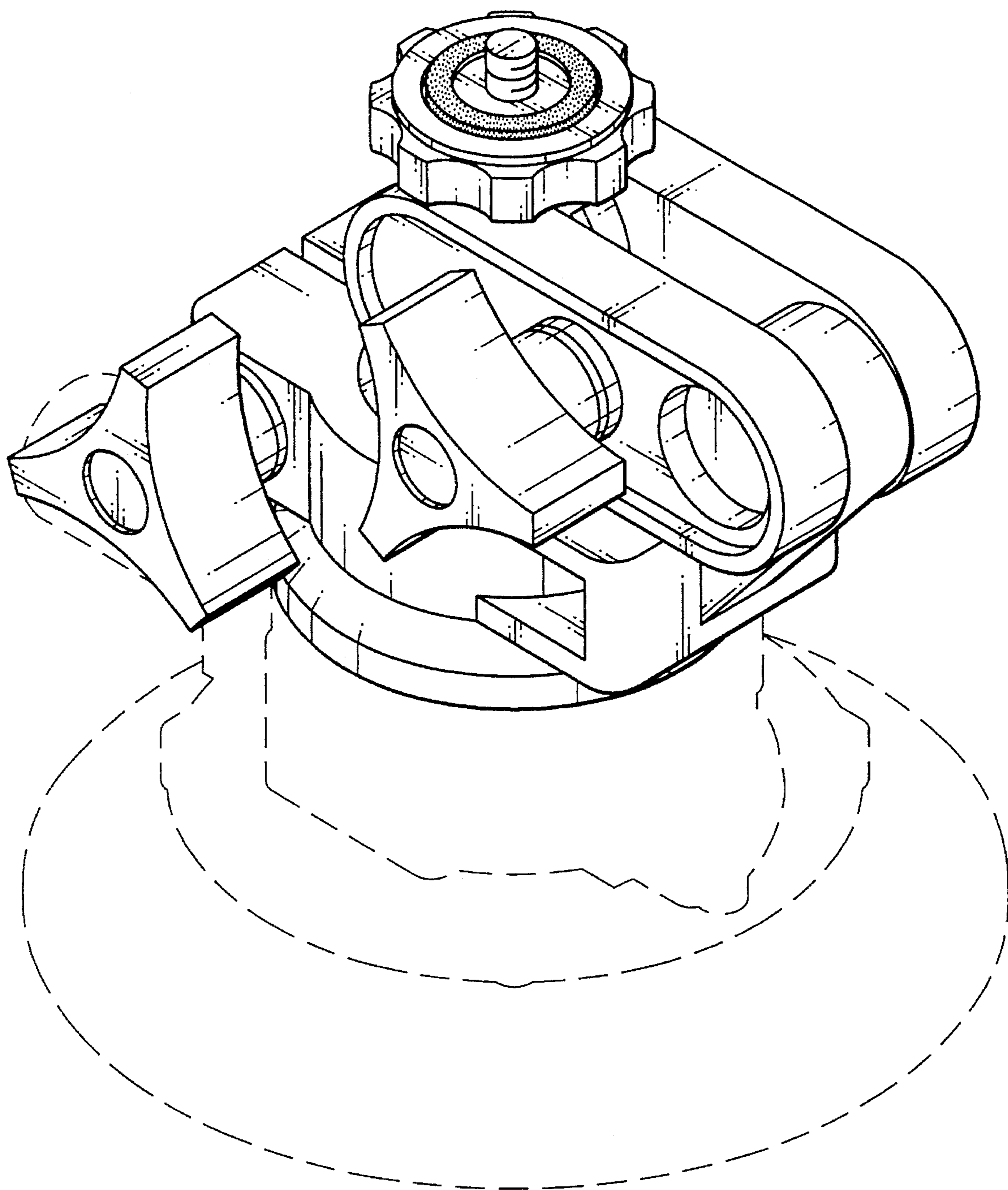
FIG. 6 is a top plan view thereof, the opposed, bottom view being plain and unornamented; and,

FIG. 7 is a sectional view thereof taken along line 7—7 in FIG. 2.

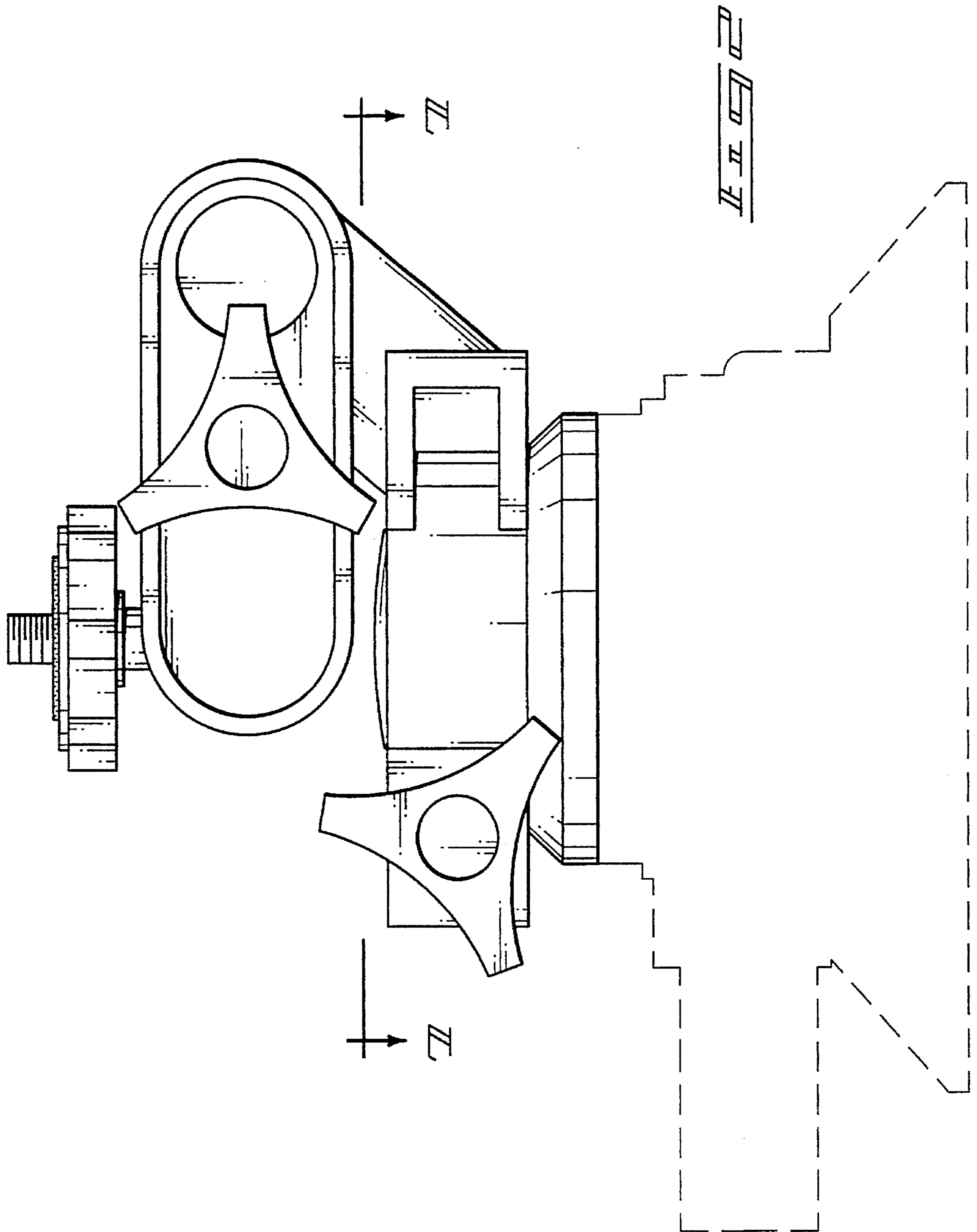
The broken line showing of a vacuum suction cup is for illustrative purposes only and forms no part of the claimed design.

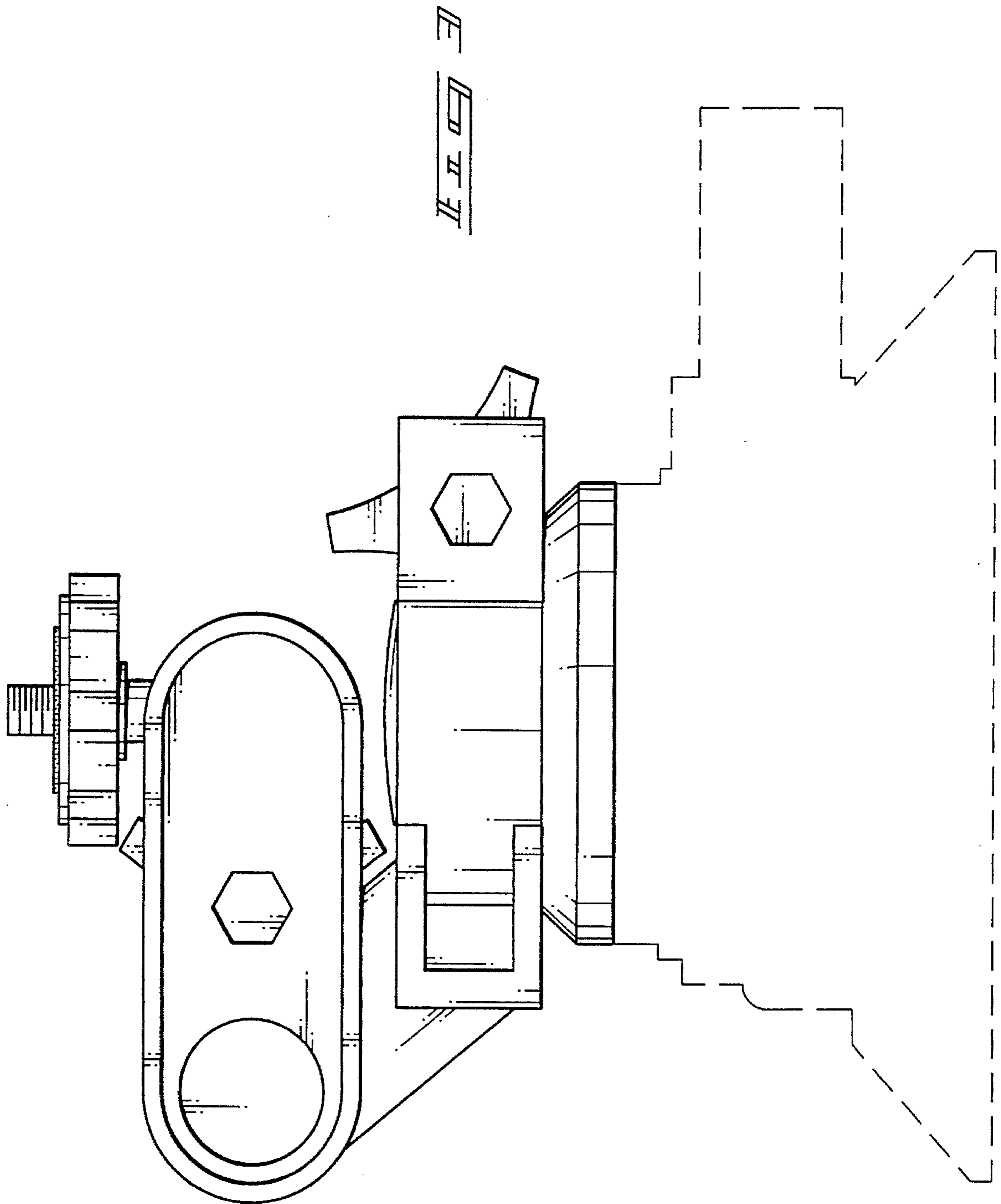
1 Claim, 7 Drawing Sheets





II II II II





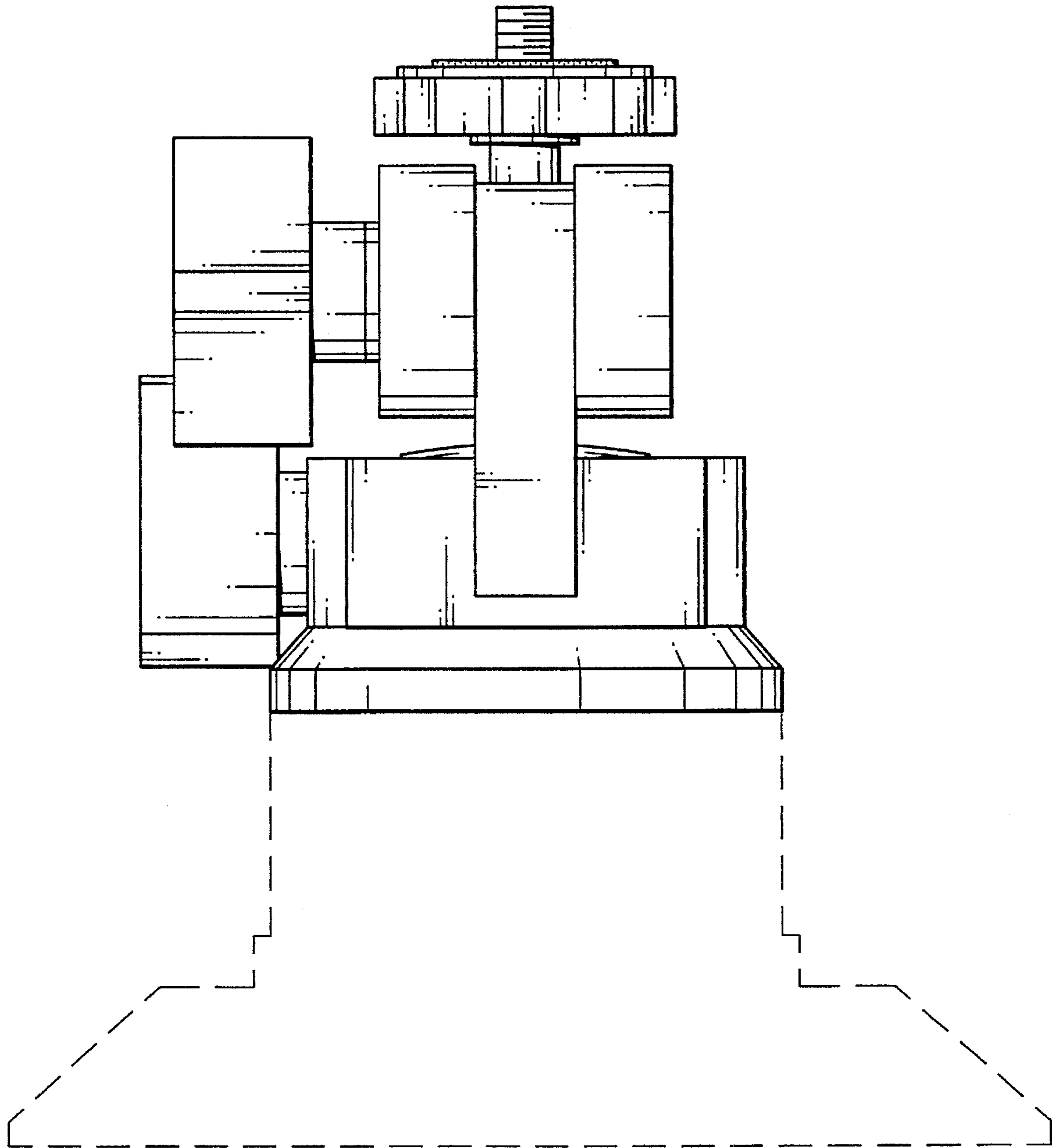


Fig. 4

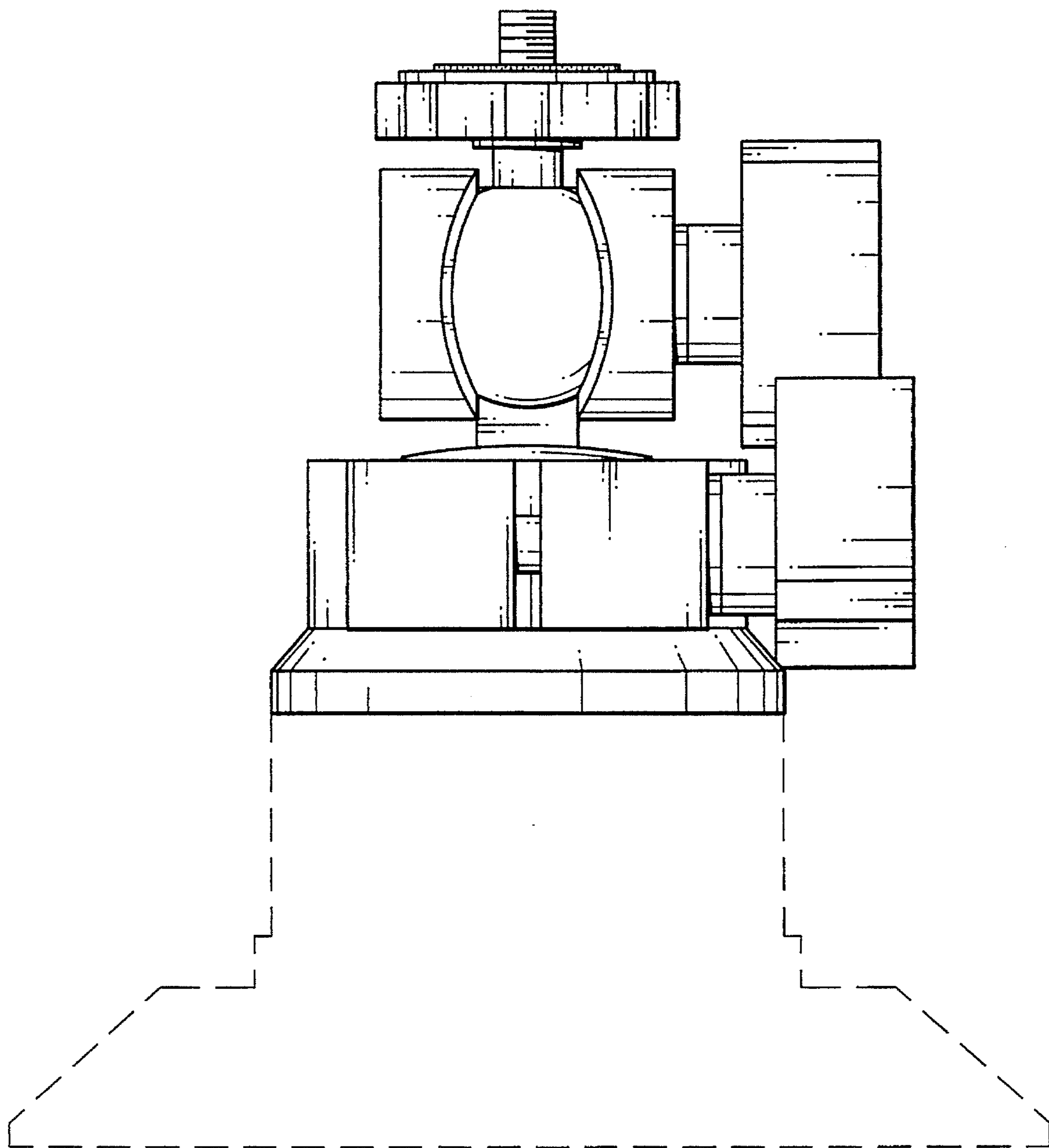


FIG. 5

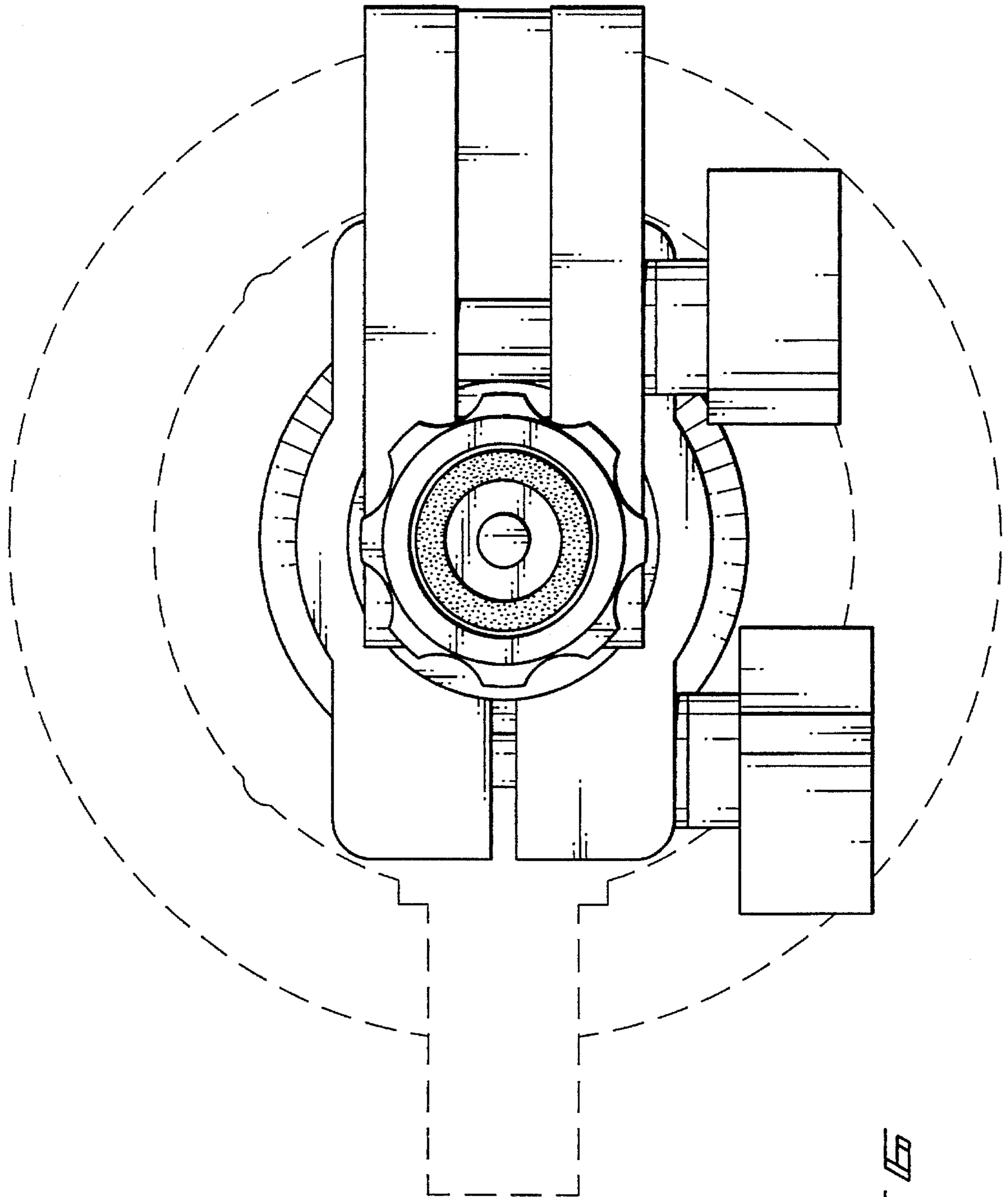


FIG. 6

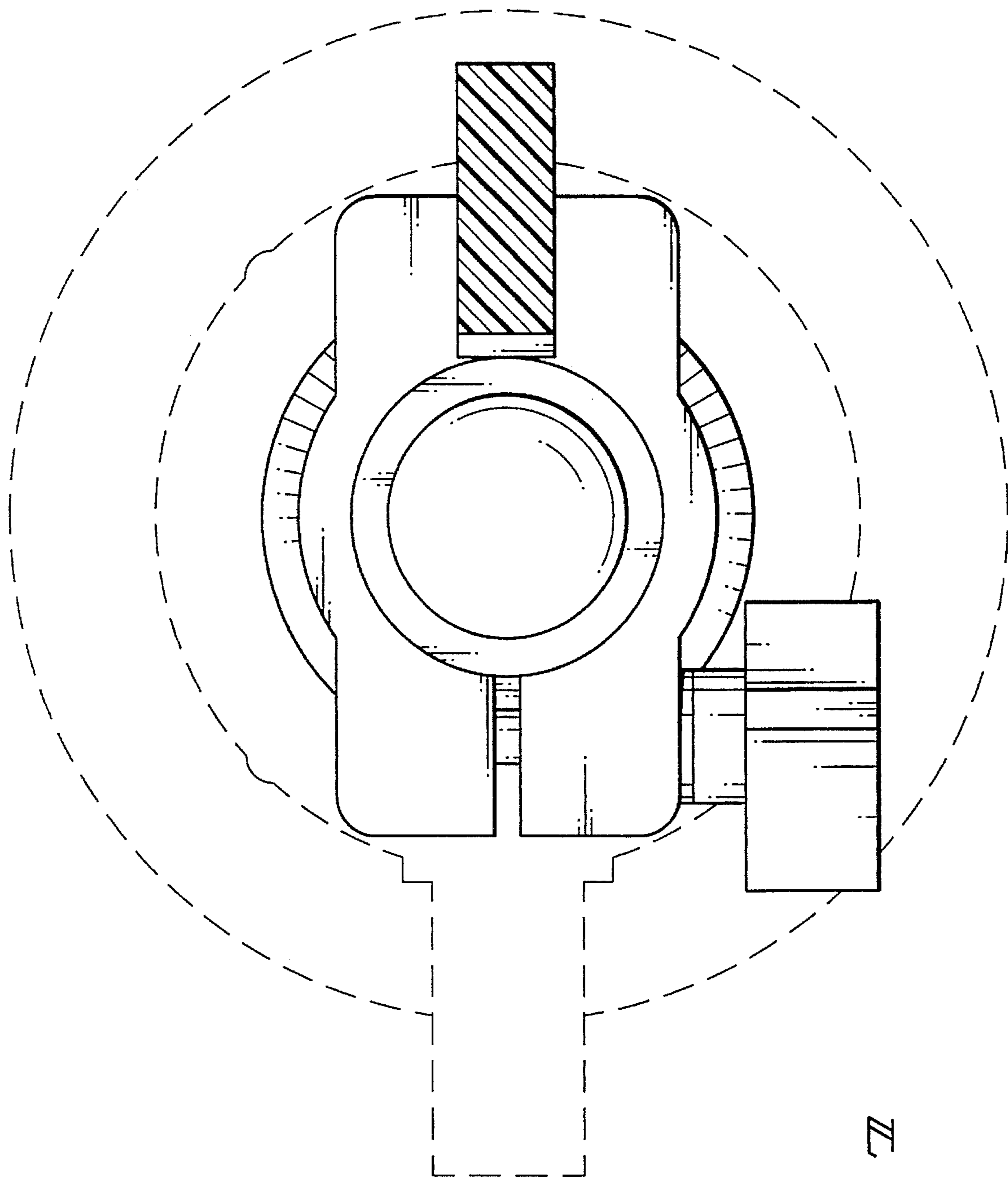


FIG. 7