



US00D366885S

# United States Patent [19]

Goto et al.

[11] Patent Number: **Des. 366,885**

[45] Date of Patent: **\*\*Feb. 6, 1996**

## [54] VIDEO CAMERA WITH VIDEO TAPE RECORDER

[75] Inventors: **Masaaki Goto; Masakazu Mori; Koya Kurokawa**, all of Ehime, Japan

[73] Assignee: **Matsushita Electric Industrial Co., Ltd.**, Osaka, Japan

[\*\*] Term: **14 Years**

[21] Appl. No.: **24,647**

[22] Filed: **Jun. 17, 1994**

### [30] Foreign Application Priority Data

Dec. 28, 1993 [JP] Japan ..... 5-40000

[52] U.S. Cl. .... **D16/202**

[58] Field of Search ..... D16/200-206;  
348/373-376, 207; 352/34, 242, 243; 354/82,  
288; 358/906

### [56] References Cited

#### U.S. PATENT DOCUMENTS

D. 342,538	12/1993	Mori et al.	.....	D16/202
D. 343,403	1/1994	Takano et al.	.....	D16/202
D. 349,908	8/1994	Miyahara	.....	D16/202
D. 349,909	8/1994	Mori et al.	.....	D16/202
D. 349,910	8/1994	Takano et al.	.....	D16/202
5,132,800	7/1992	Wada	.....	348/375

### OTHER PUBLICATIONS

JVC Catalog, May 1993 (3 sheets).

Panasonic Catalog, Mar. 1993 (2 sheets).

Ritz Camera Catalog, Aug. 1991 p. 24 (Panasonic PV-21).

Video Magazine, Nov. 1991 p. 3 (Panasonic PV-41).

*Primary Examiner*—Ted Shooman

*Assistant Examiner*—Adir Aronovich

*Attorney, Agent, or Firm*—Sughrue, Mion, Zinn, Macpeak & Seas

### [57] CLAIM

The ornamental design for a video camera with video tape recorder, as shown and described.

### DESCRIPTION

FIG. 1 is a perspective view of the rear, top and right side of a video camera with video tape recorder showing our new design;

FIG. 2 is a perspective view of the top, front and right side thereof;

FIG. 3 is a top plan view thereof;

FIG. 4 is a right side elevational view thereof;

FIG. 5 is a front elevational view thereof;

FIG. 6 is a rear elevational view thereof;

FIG. 7 is a left side elevational view thereof;

FIG. 8 is a bottom plan view thereof; and,

FIG. 9 is a perspective view similar to FIG. 2 with the eye piece pivoted to a forward position.

**1 Claim, 4 Drawing Sheets**

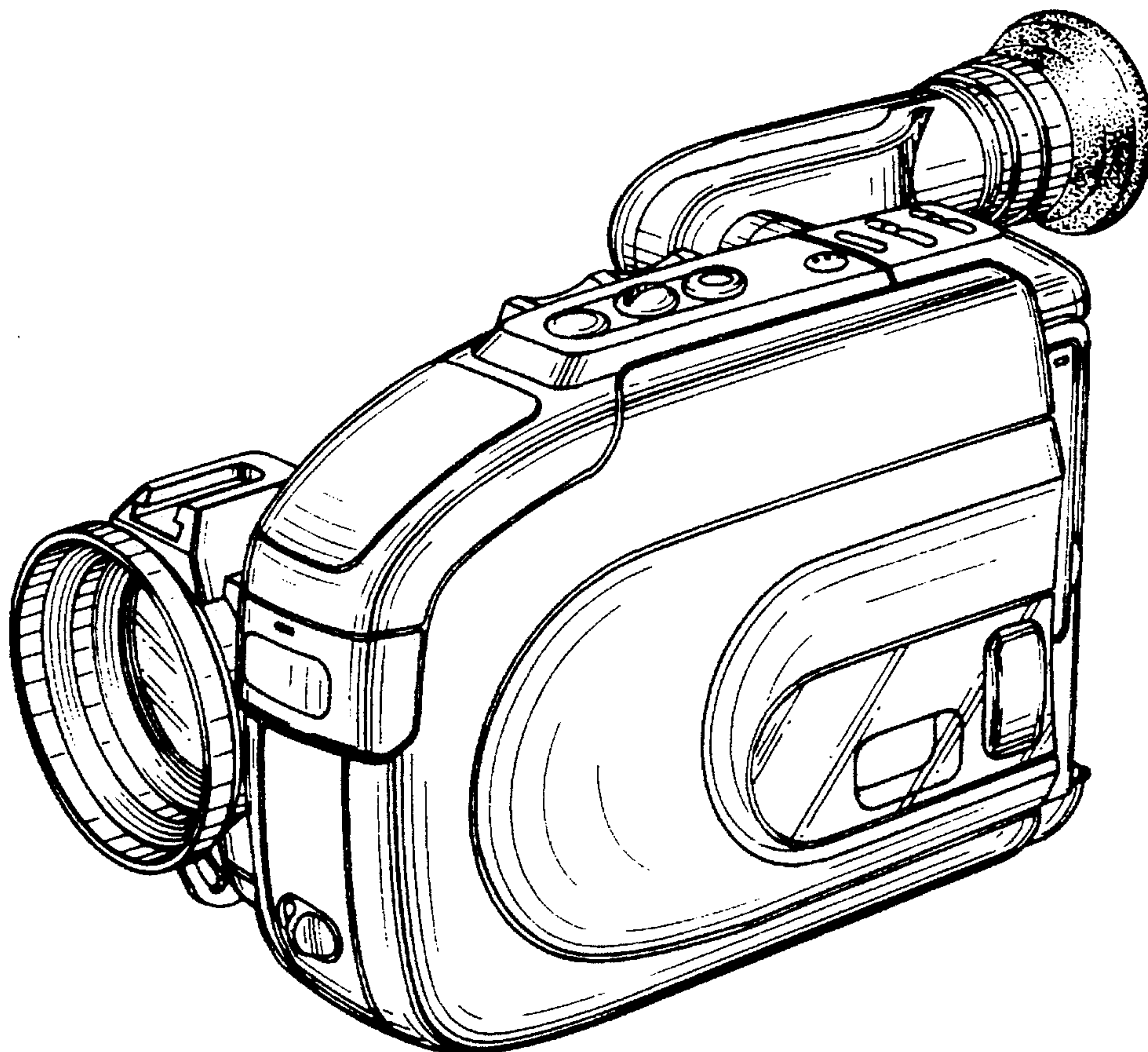


FIG. 1

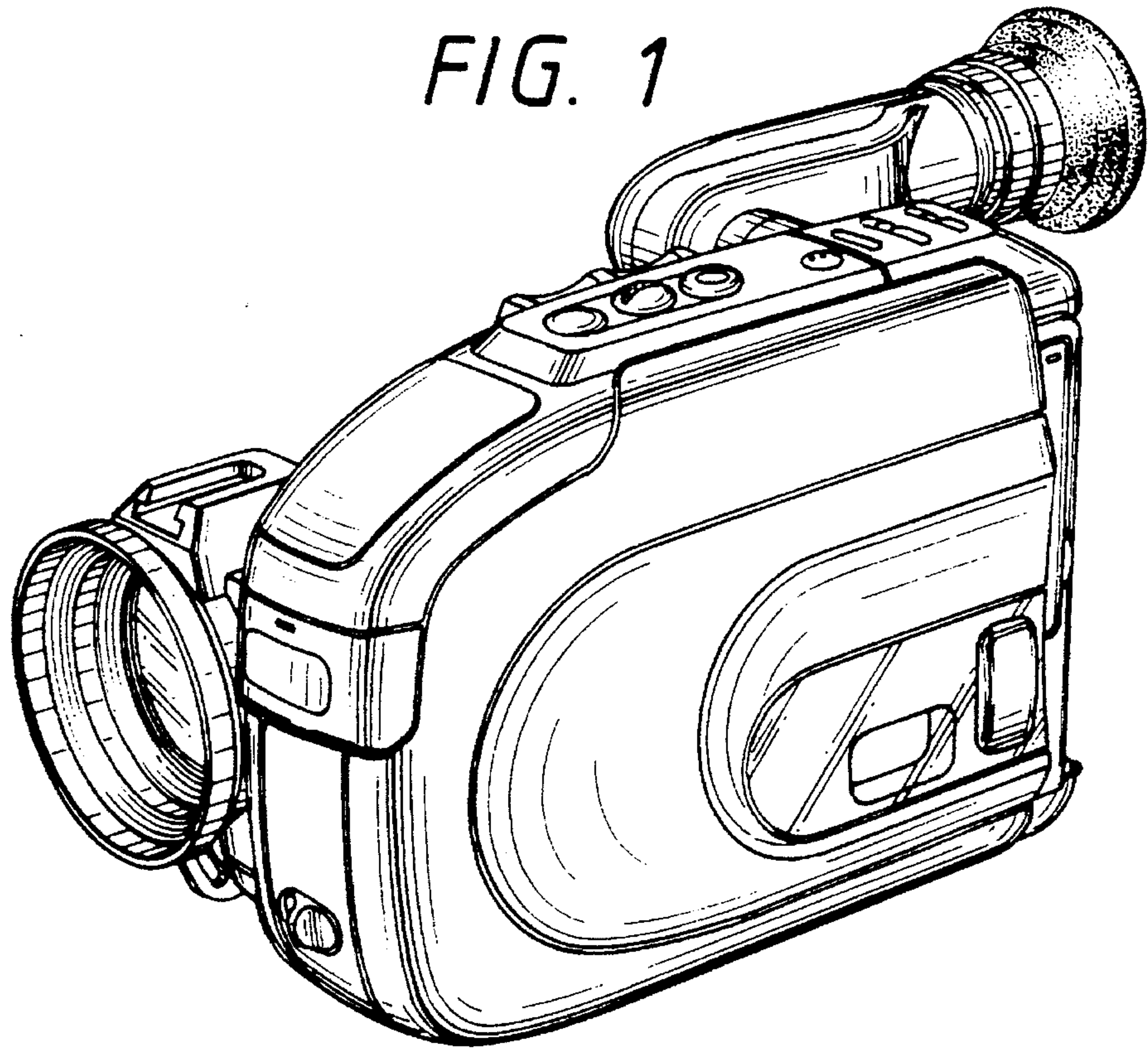


FIG. 2

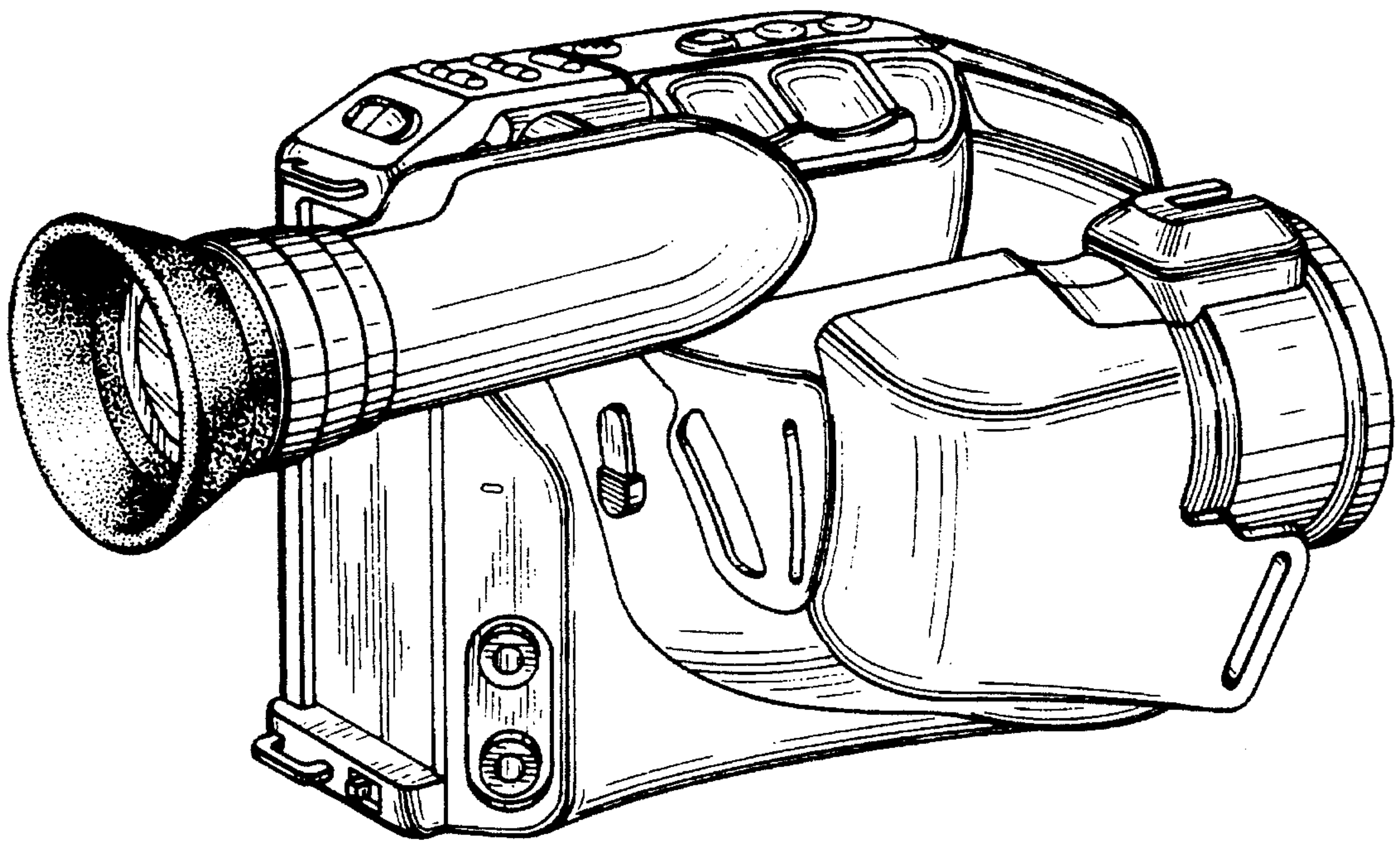




FIG. 3

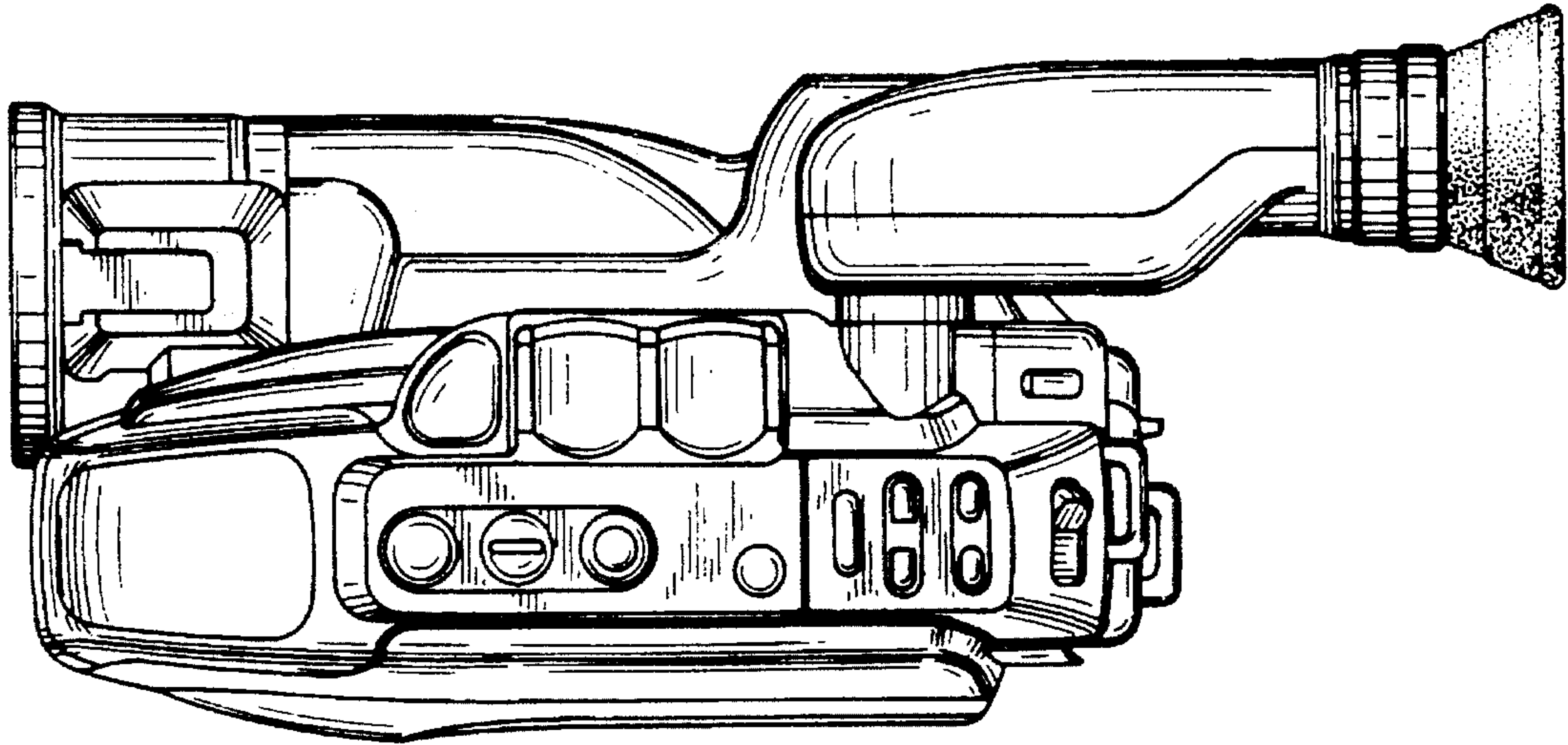


FIG. 4

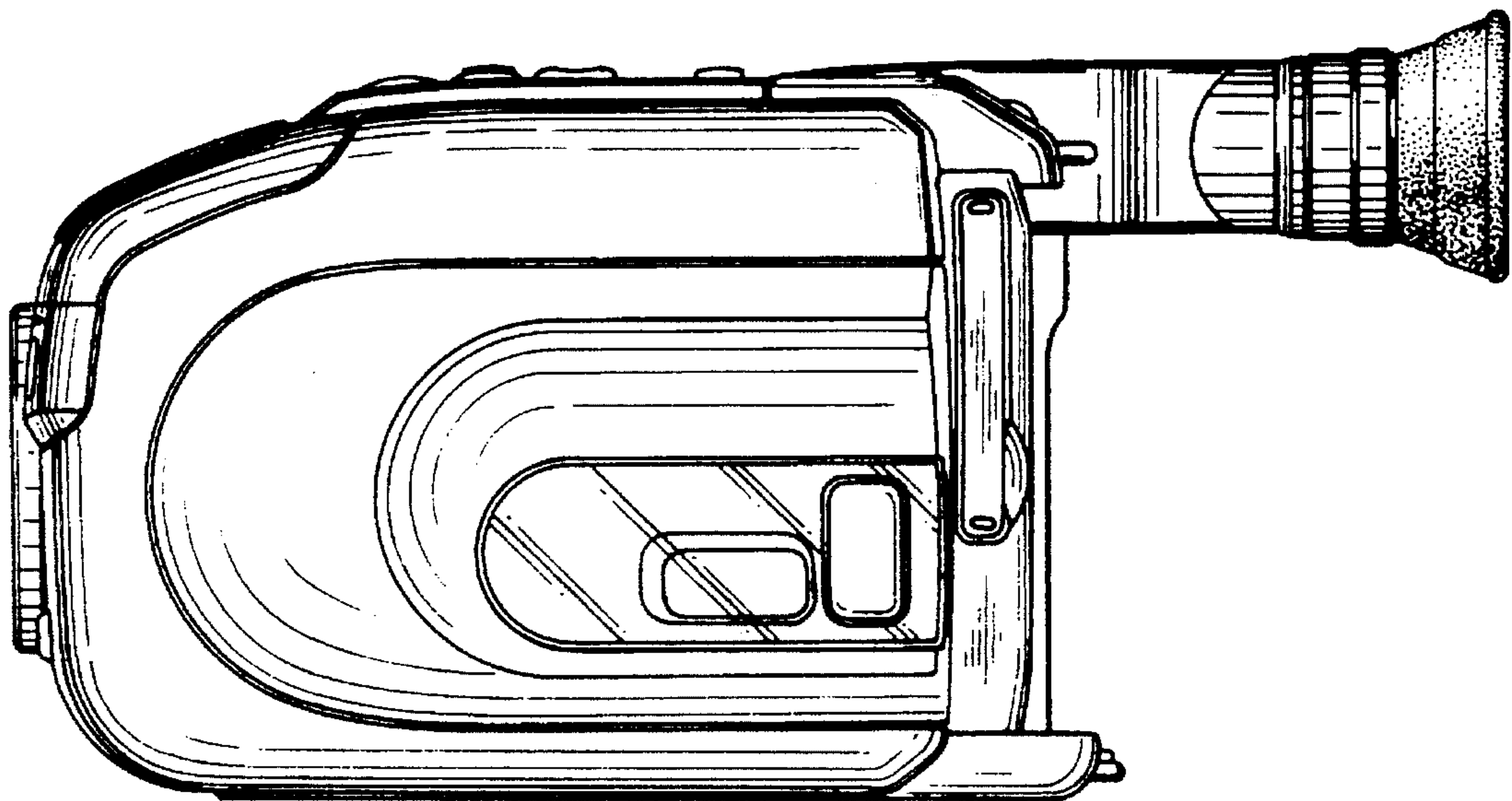


FIG. 5

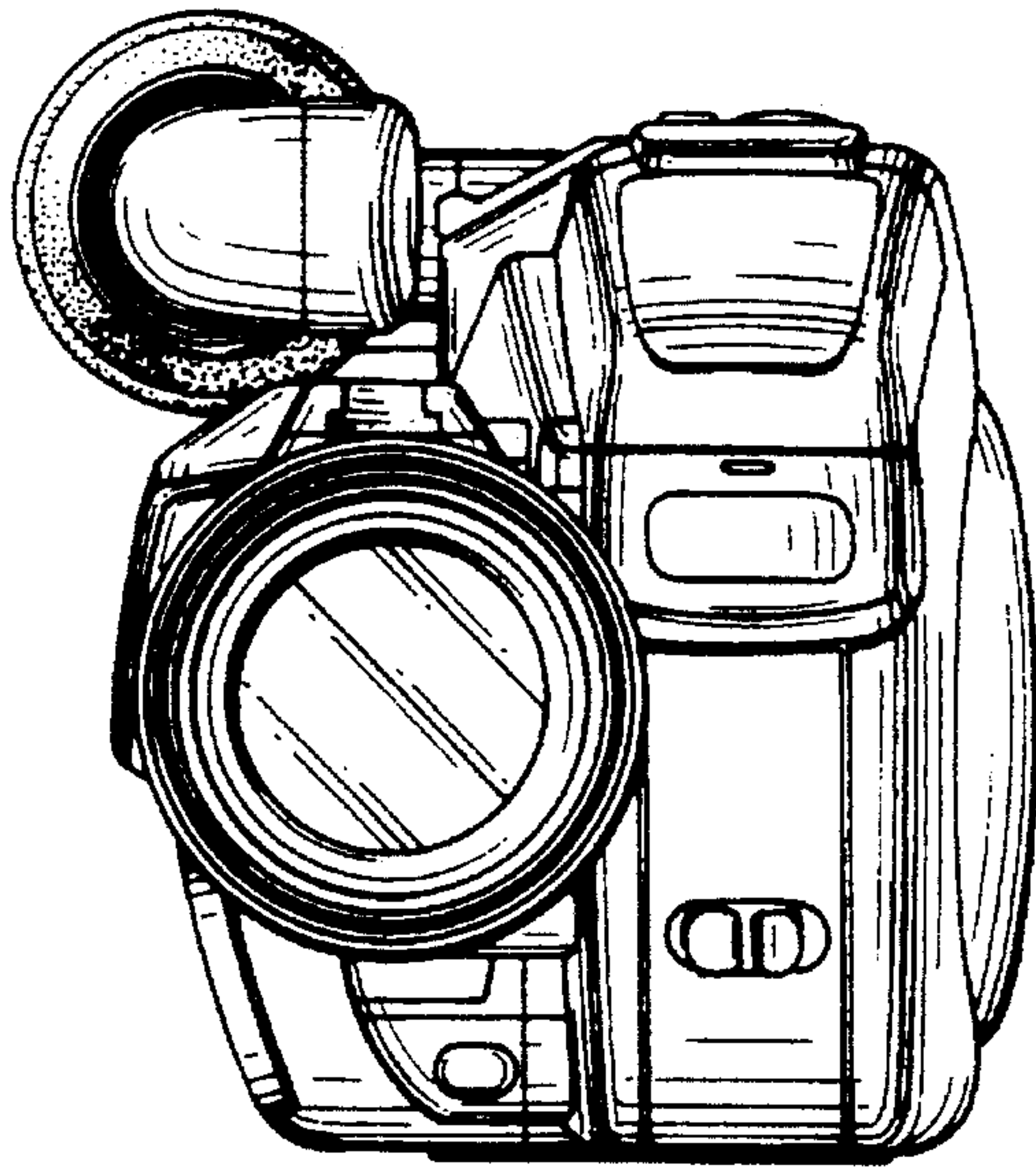


FIG. 6

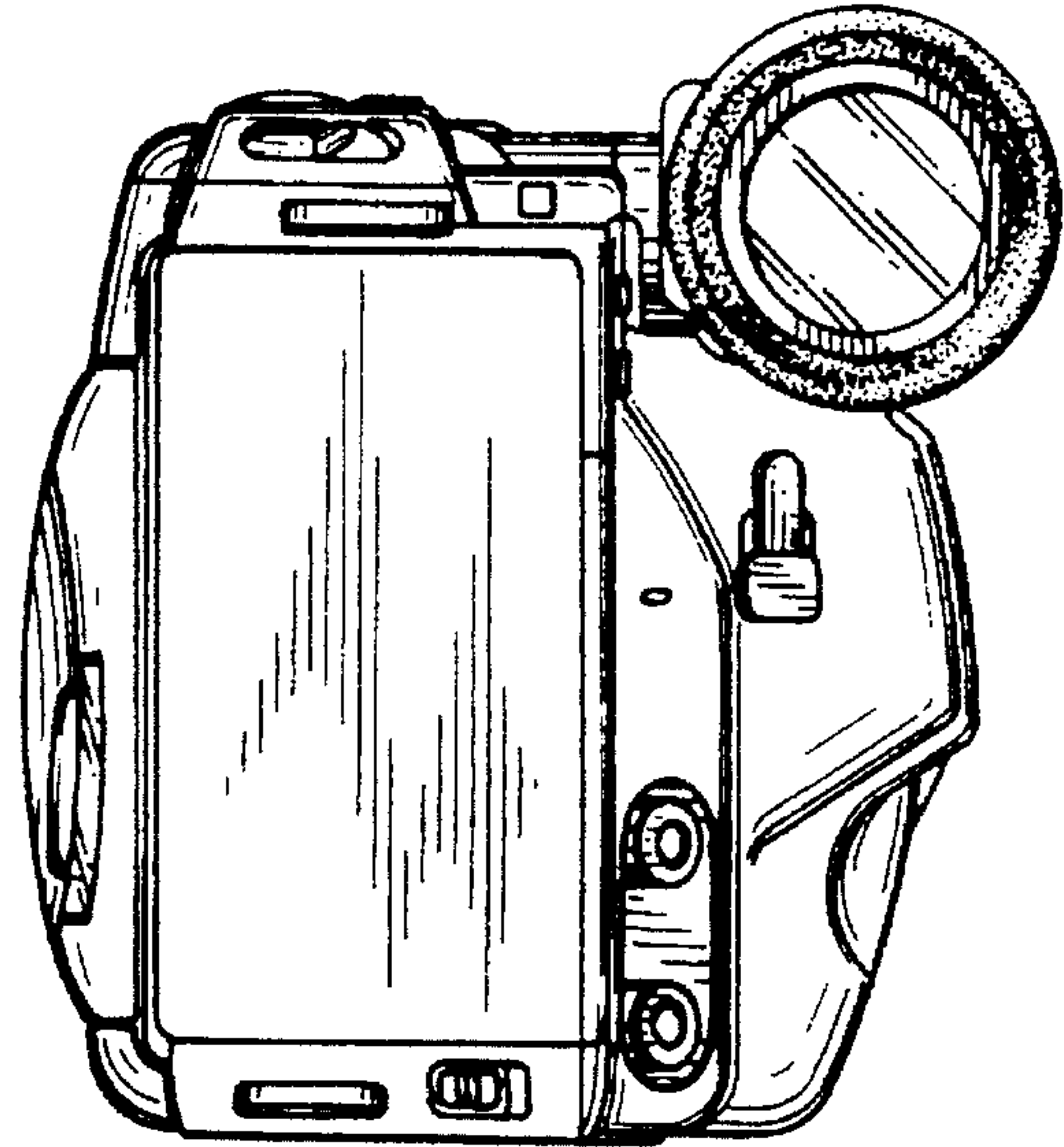


FIG. 7

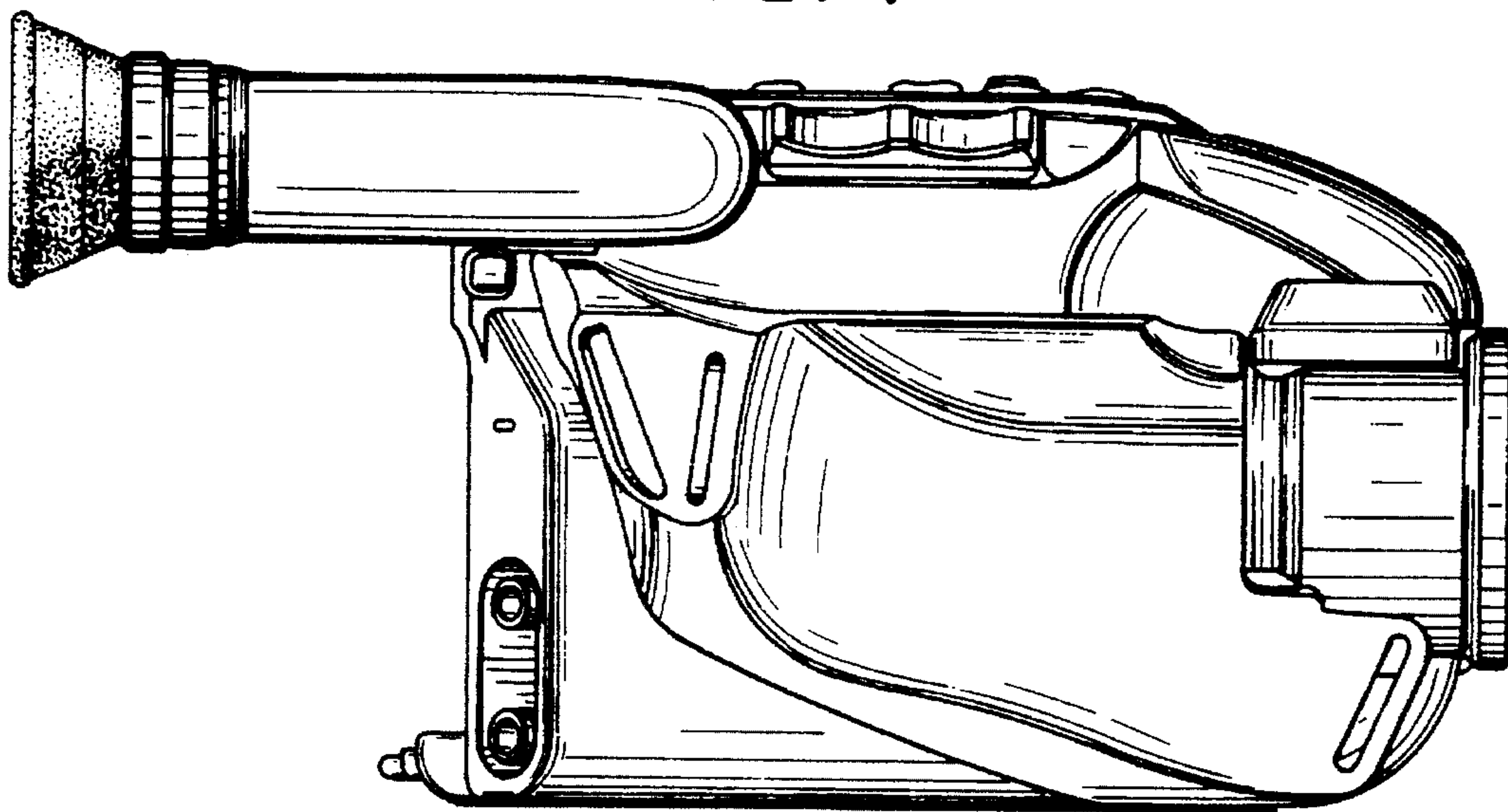


FIG. 8

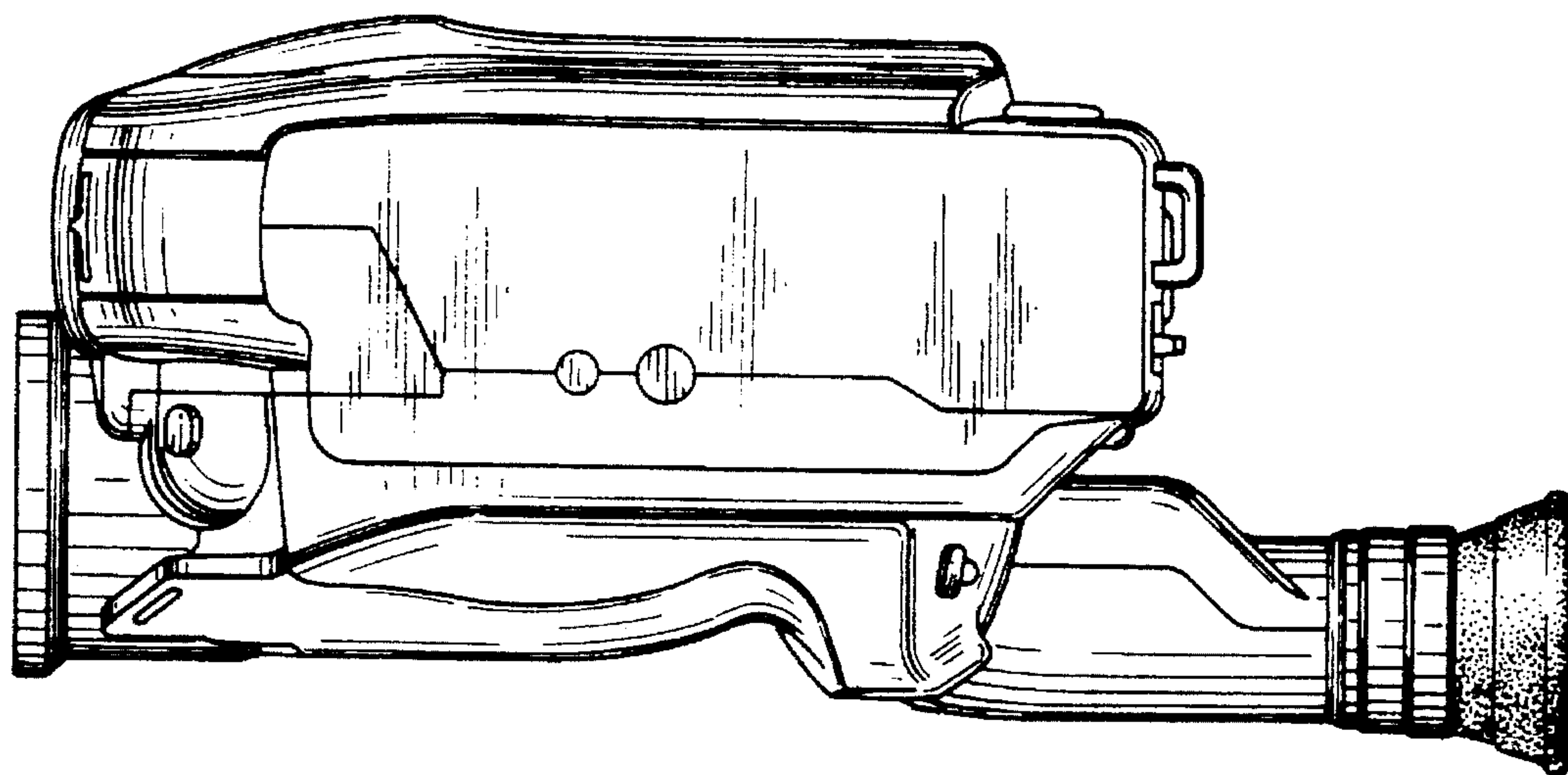


FIG. 9

