



US00D366881S

# United States Patent [19]

Eccardt et al.

[11] Patent Number: **Des. 366,881**

[45] Date of Patent: **\*\*Feb. 6, 1996**

[54] **VARIABLE SPEED SCROLL SAW**

5,176,059 1/1993 Anderson ..... 83/783 X  
5,272,948 12/1993 Theising ..... 83/786

[75] Inventors: **Curtis J. Eccardt**, St. Peters; **Paul J. Eckhoff**, O'Fallon, both of Mo.

*Primary Examiner*—Antoine Duval Davis  
*Attorney, Agent, or Firm*—Polster, Lieder, Woodruff & Lucchesi

[73] Assignee: **Emerson Electric Co.**, St. Louis, Mo.

[\*\*] Term: **14 Years**

## [57] CLAIM

[21] Appl. No.: **36,938**

The ornamental design for a variable speed scroll saw, as shown and described.

[22] Filed: **Mar. 31, 1995**

## DESCRIPTION

[52] U.S. Cl. .... **D15/133**

[58] Field of Search ..... D15/133; 83/783,  
83/784, 785, 786

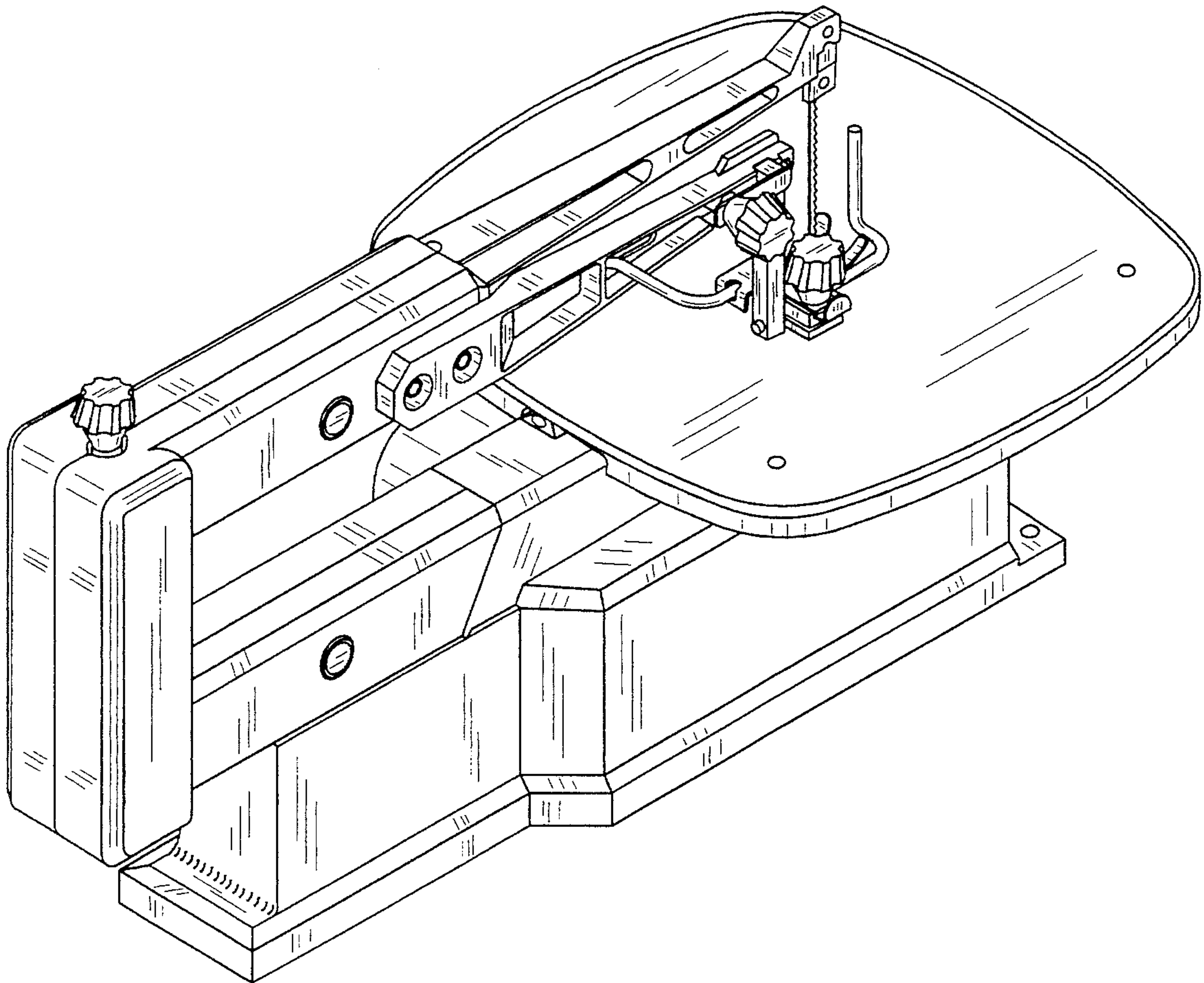
FIG. 1 is a front perspective of our new variable speed scroll saw as viewed from along the right side thereof; FIG. 2 is a left side elevational view thereof; FIG. 3 is a right side elevational view thereof; FIG. 4 is a front elevational view thereof; FIG. 5 is a rear elevational view thereof; FIG. 6 is a top plan view thereof; and, FIG. 7 is a bottom plan view thereof.

## [56] References Cited

### U.S. PATENT DOCUMENTS

290,369	6/1987	Eccardt	.....	D15/133
D. 327,279	6/1992	Brickner et al.	.....	D15/133
4,616,541	10/1986	Eccardt	.....	83/98
4,841,823	6/1989	Brundage	.....	83/781
4,949,616	8/1990	Chang	.....	83/783 X

**1 Claim, 6 Drawing Sheets**



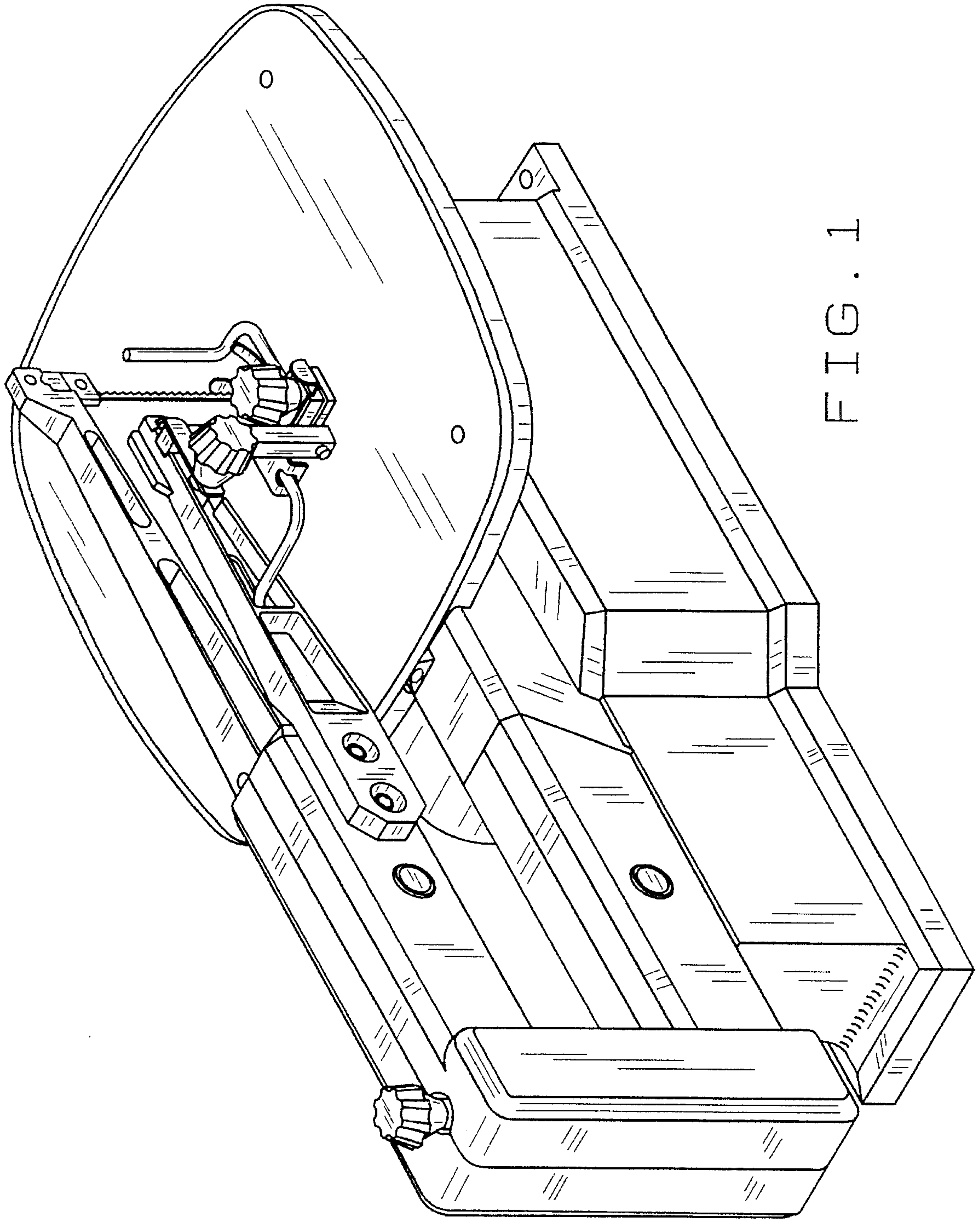


FIG. 1

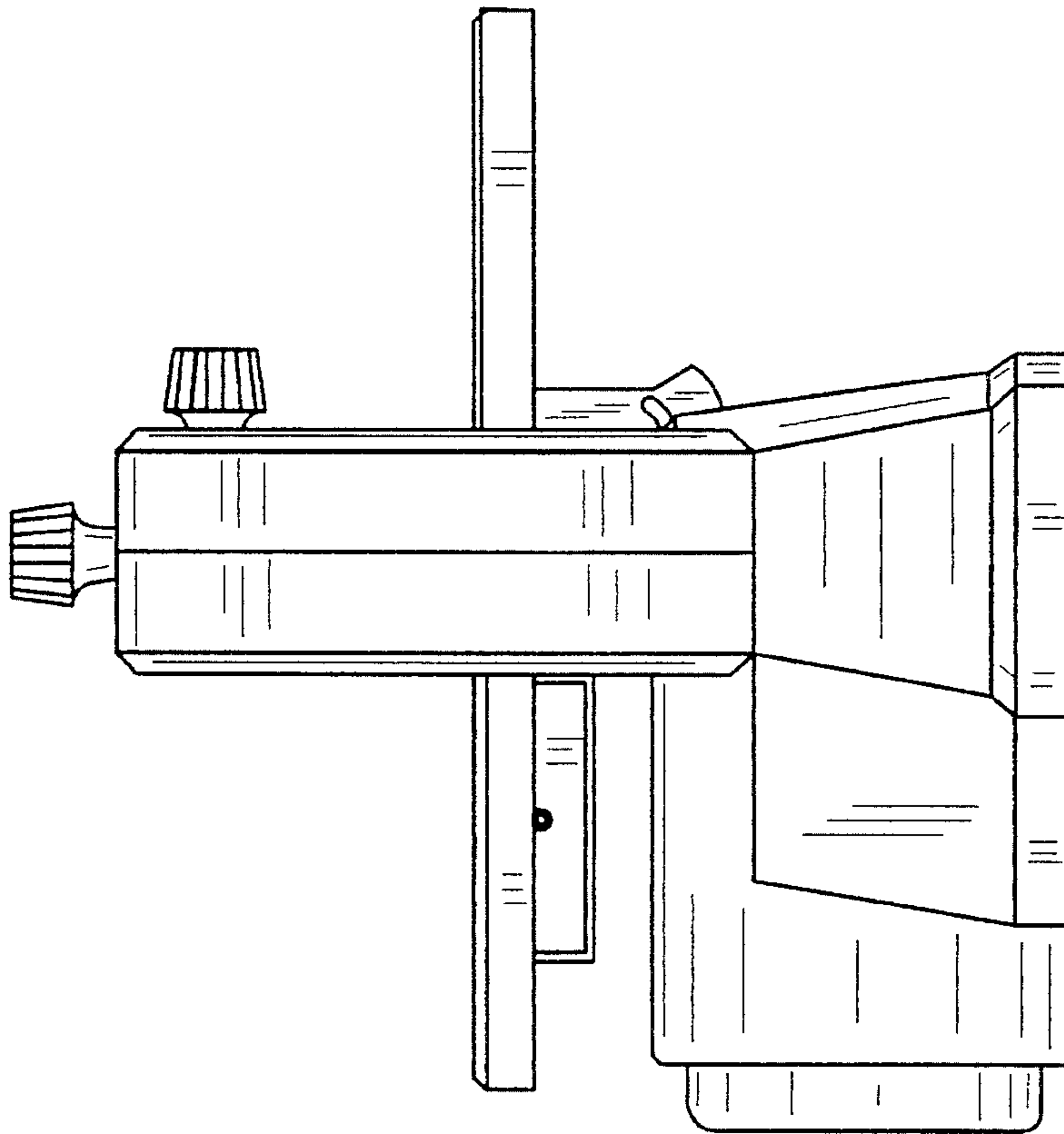


FIG. 3

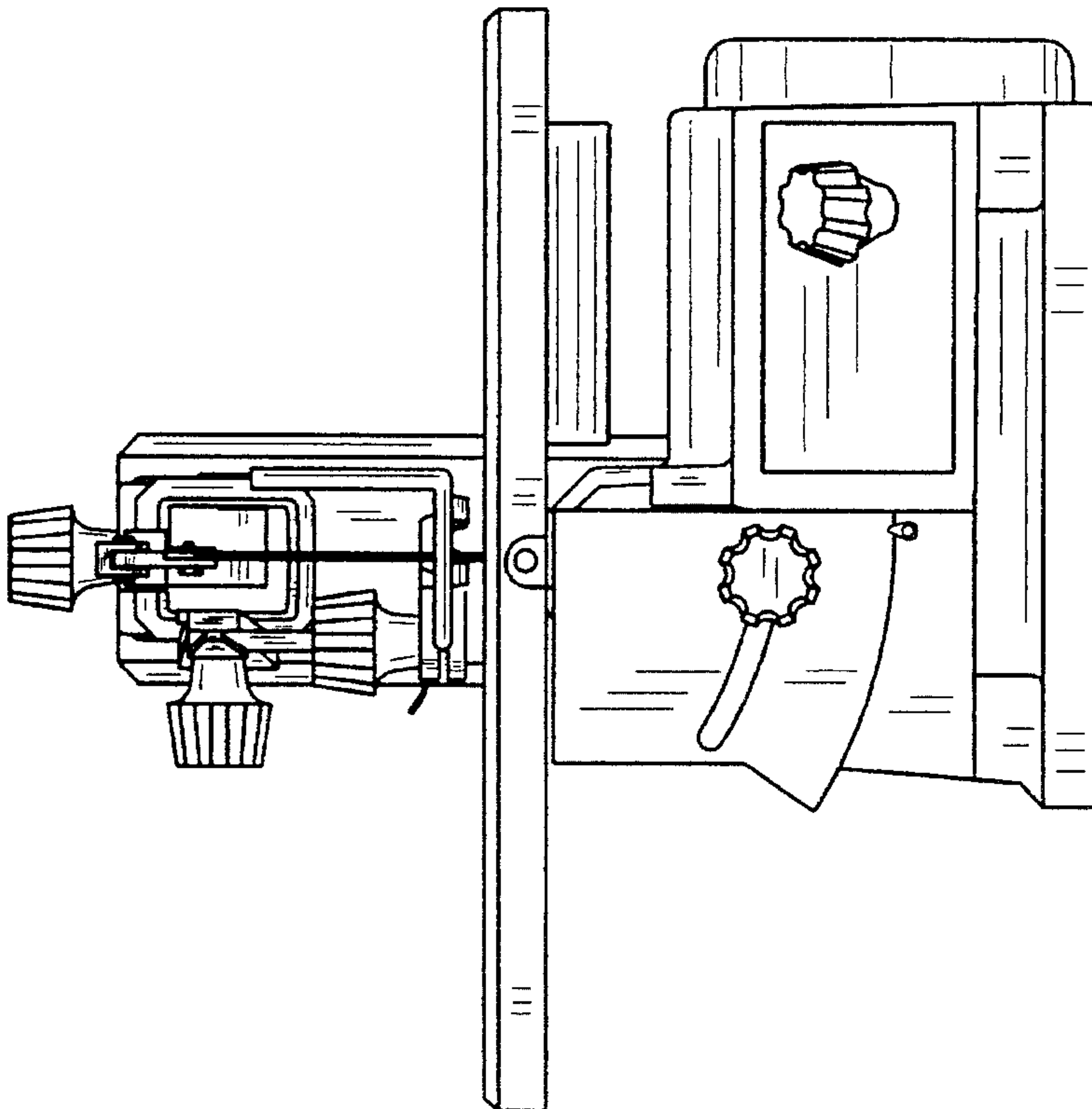


FIG. 2



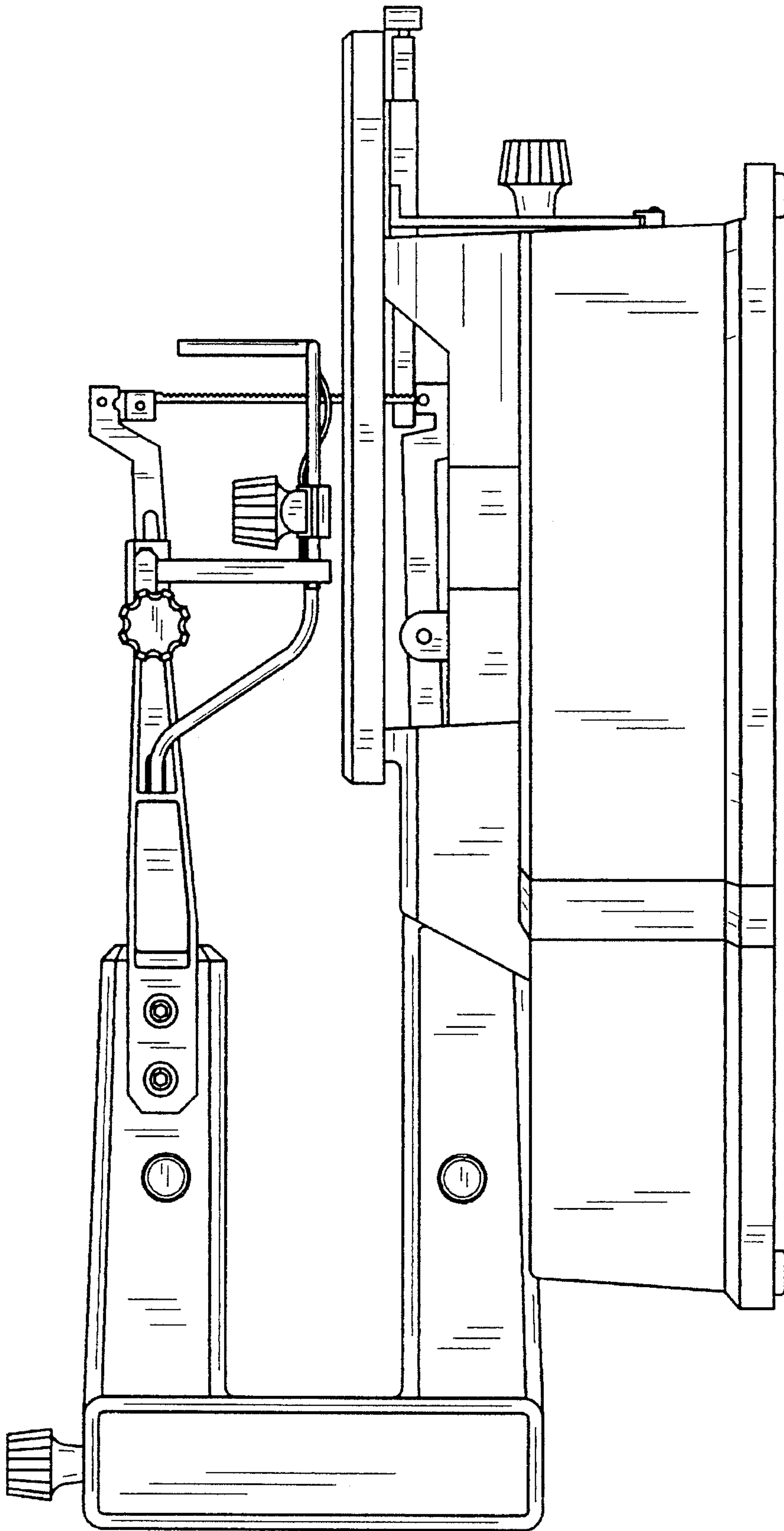


FIG. 4

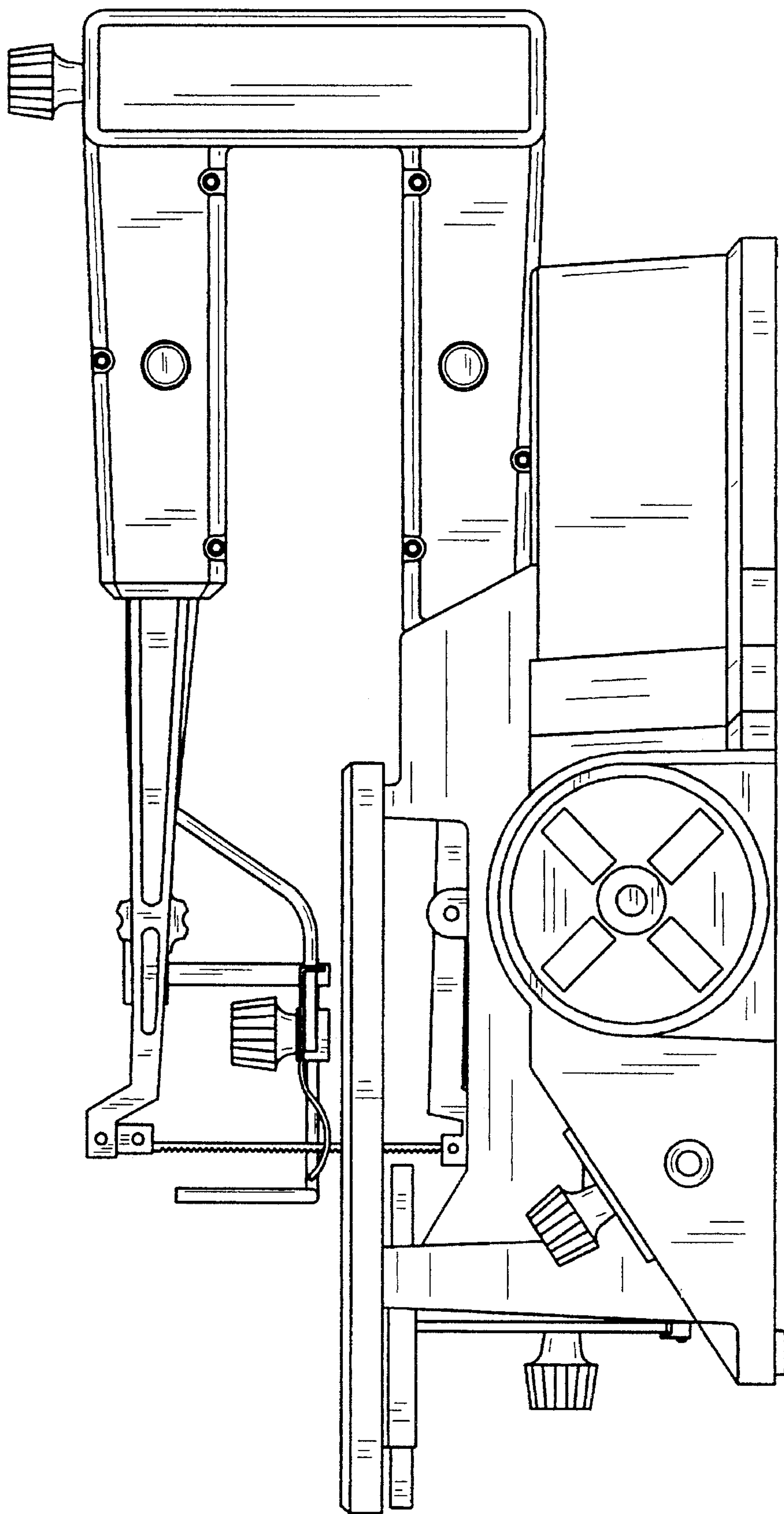


FIG. 5

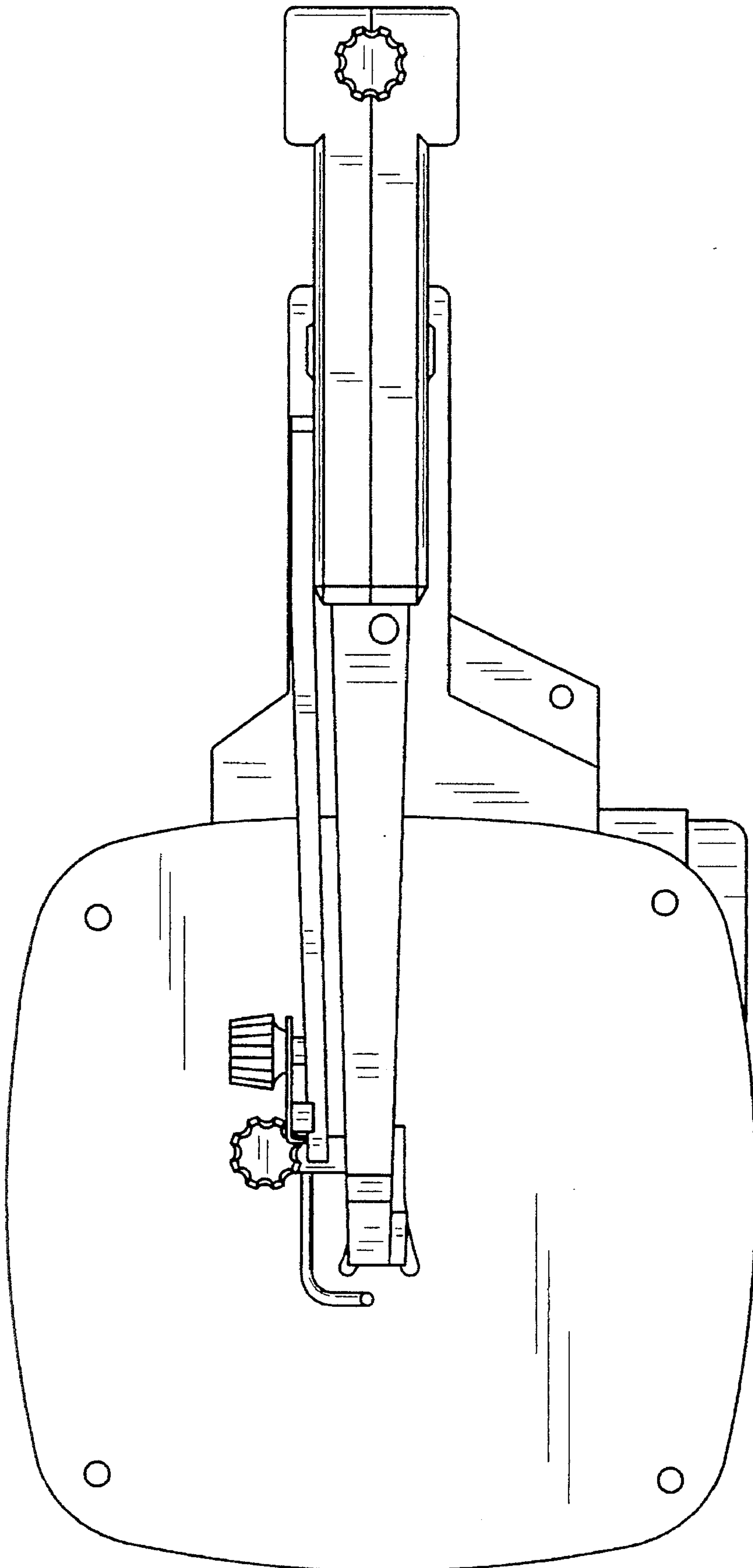


FIG. 6

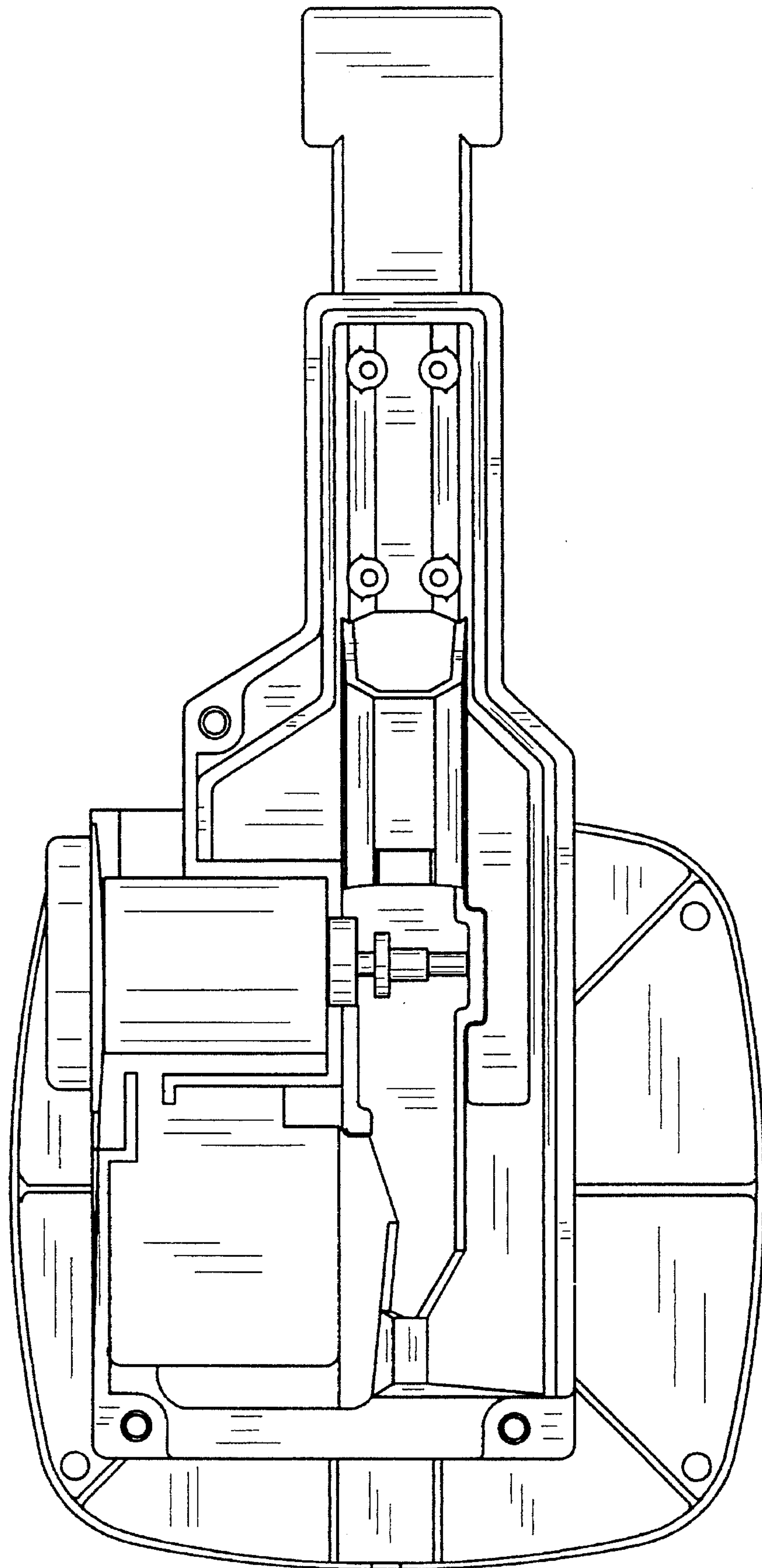


FIG. 7