



US00D366878S

United States Patent [19]

Wakabayashi et al.

[11] Patent Number: **Des. 366,878**

[45] Date of Patent: ****Feb. 6, 1996**

[54] **TRANSCIVER FOR LOCAL AREA NETWORK**

[75] Inventors: **Hiroshi Wakabayashi; Hiroshi Ukaji,**
both of Ibaraki, Japan

[73] Assignee: **Hirakawa Hewtech Corporation,**
Tokyo, Japan

[**] Term: **14 Years**

[21] Appl. No.: **30,374**

[22] Filed: **Oct. 20, 1994**

[30] **Foreign Application Priority Data**

Apr. 22, 1994 [JP] Japan 6-11750

[52] U.S. Cl. **D14/242; D13/147; D14/107**

[58] **Field of Search** D14/100, 107,
D14/109, 114, 140, 240, 242, 256; D13/146,
147; 361/681-686; 379/440, 441; 439/365,
610, 620, 296, 304; 174/50, 52.1; 375/220

[56] **References Cited**

U.S. PATENT DOCUMENTS

- D. 269,673 7/1983 Johansson D13/147
- D. 327,880 7/1992 Lou D14/107
- D. 330,704 11/1992 Wagner D14/107
- D. 333,460 2/1993 Huang D13/147
- D. 336,467 6/1993 Pooley et al. D14/114

- D. 338,193 8/1993 Sasaki D13/147 X
- D. 346,607 5/1994 Bhargava et al. D14/256 X
- D. 353,144 12/1994 Brandt et al. D14/242
- D. 358,395 5/1995 Heidorn D14/242
- 5,098,312 3/1992 Raczynski 439/296 X
- 5,404,268 4/1995 O'Connor 361/683

Primary Examiner—Jeffrey Asch
Attorney, Agent, or Firm—Helfgott & Karas

[57] **CLAIM**

The ornamental design for a transceiver for local area network, as shown.

DESCRIPTION

FIG. 1 is a top plan view of the transceiver for local area network showing our new design;
 FIG. 2 is a front view thereof;
 FIG. 3 is a bottom view thereof;
 FIG. 4 is a left side view thereof;
 FIG. 5 is a right side view thereof;
 FIG. 6 is a rear view thereof;
 FIG. 7 is a cross sectional view taken along lines II—II of FIG. 2;
 FIG. 8 is a cross sectional view taken along lines I—I of FIG. 1;
 FIG. 9 is a front and upper right perspective view thereof; and,
 FIG. 10 is a rear and lower right perspective view thereof.

1 Claim, 3 Drawing Sheets

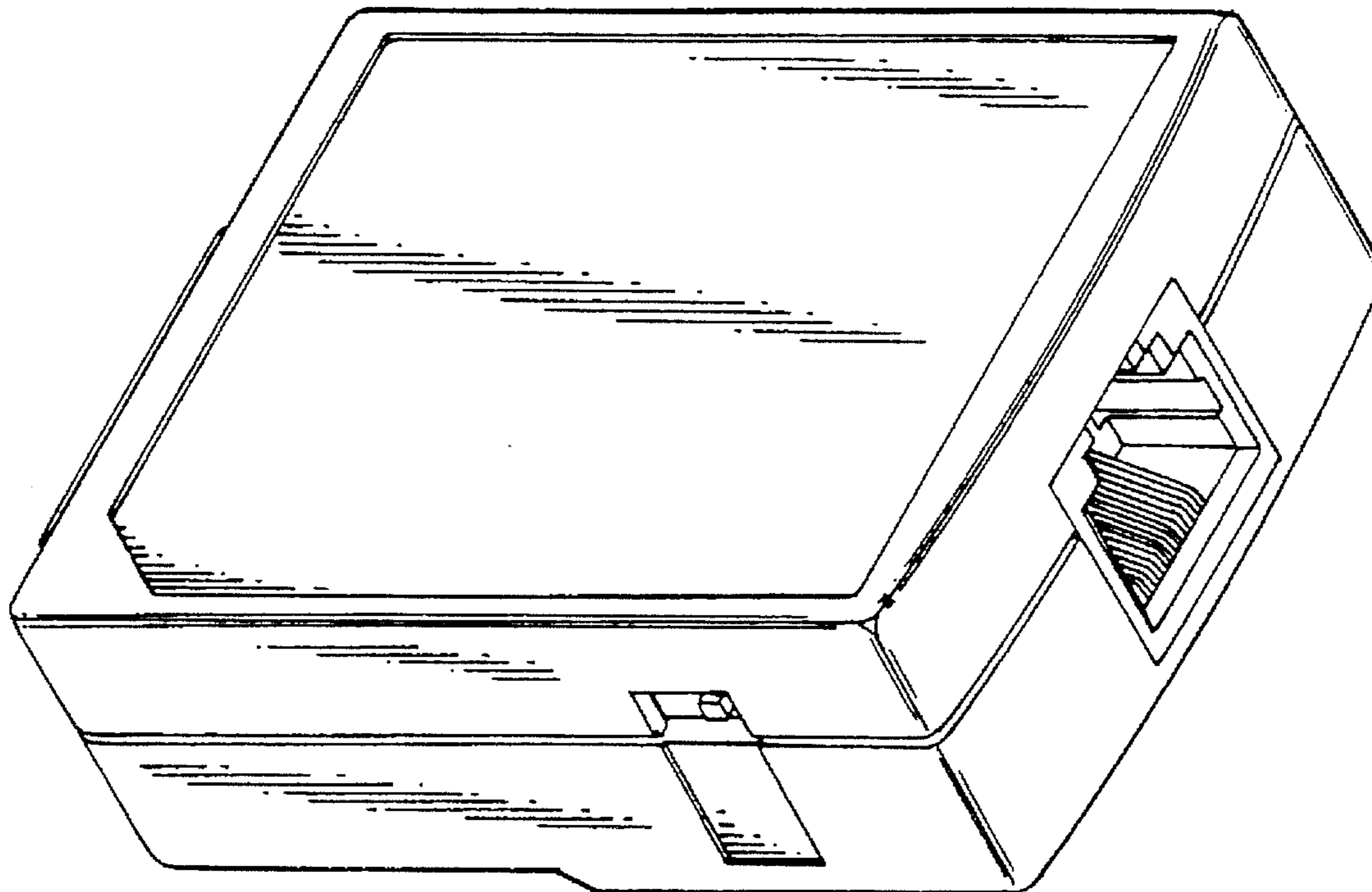


FIG.1

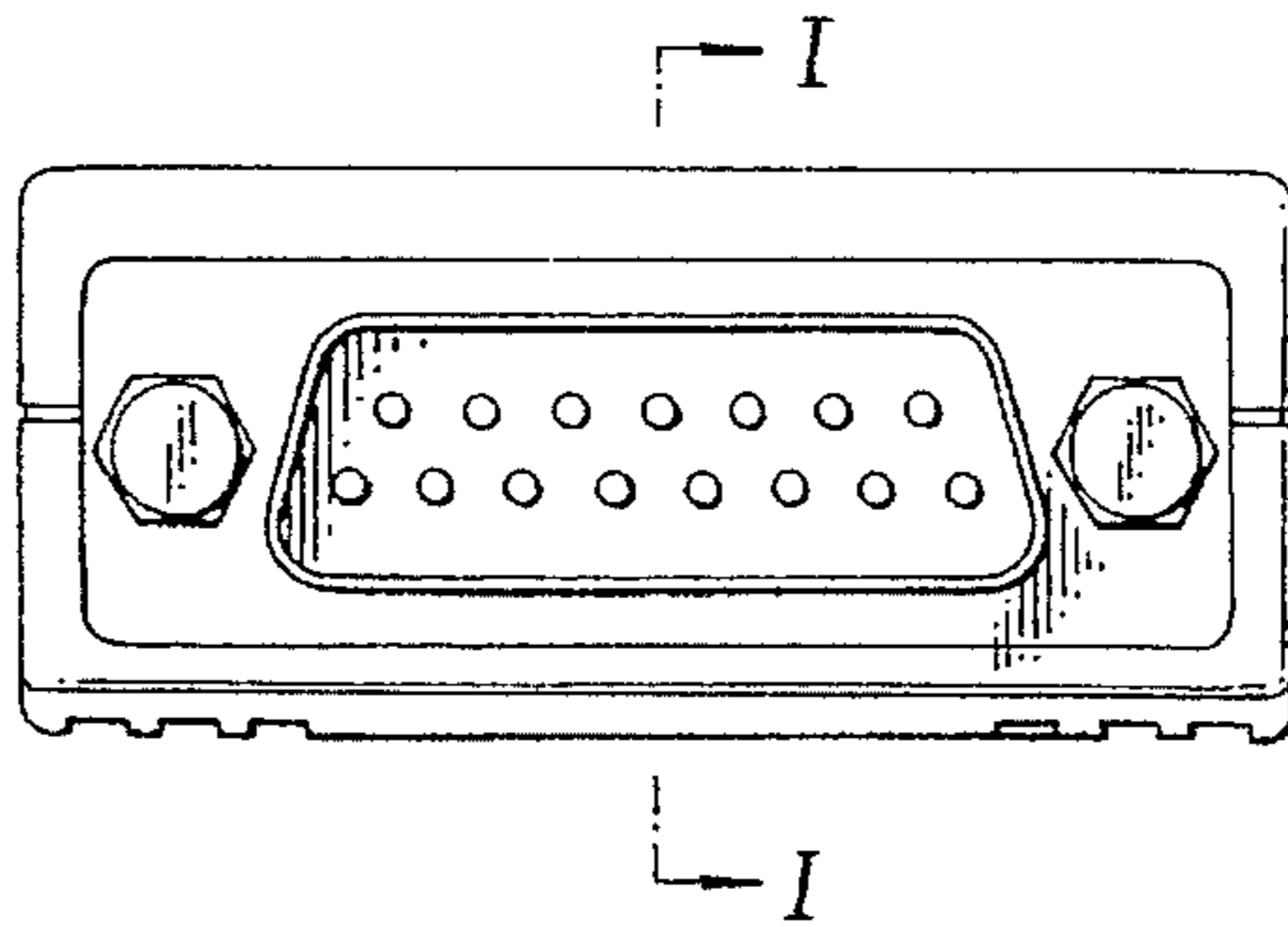


FIG.4

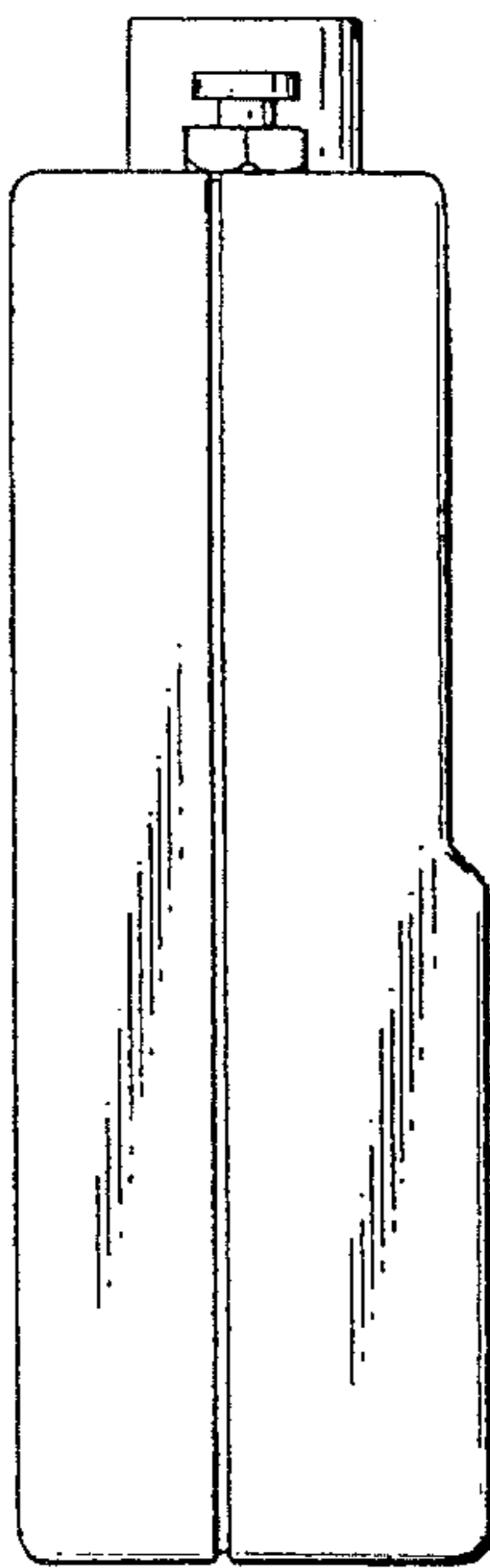


FIG.2

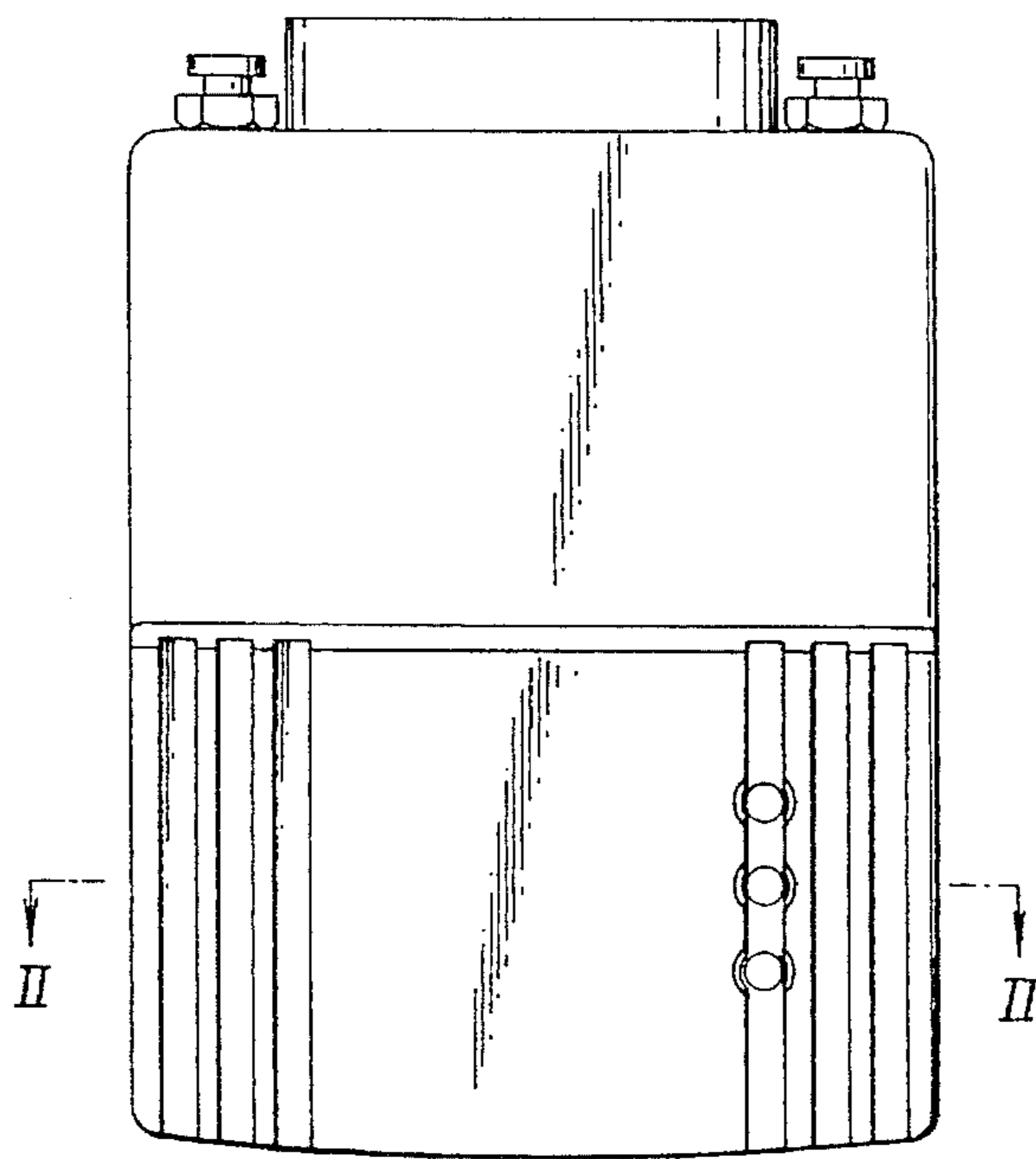


FIG.5

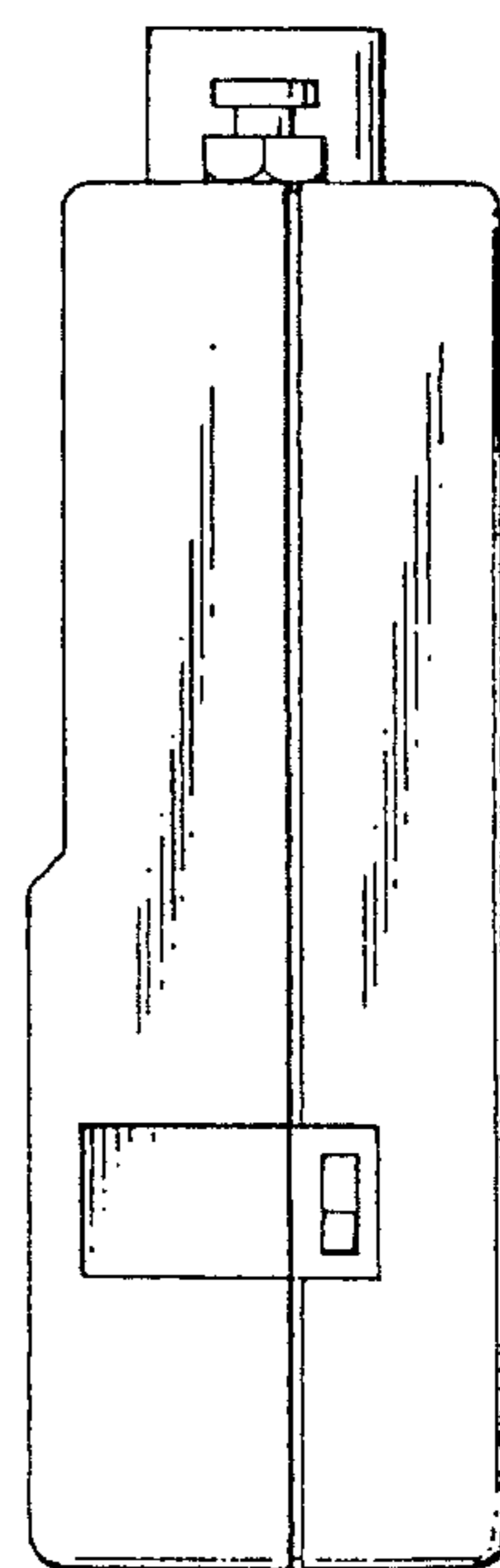


FIG.3

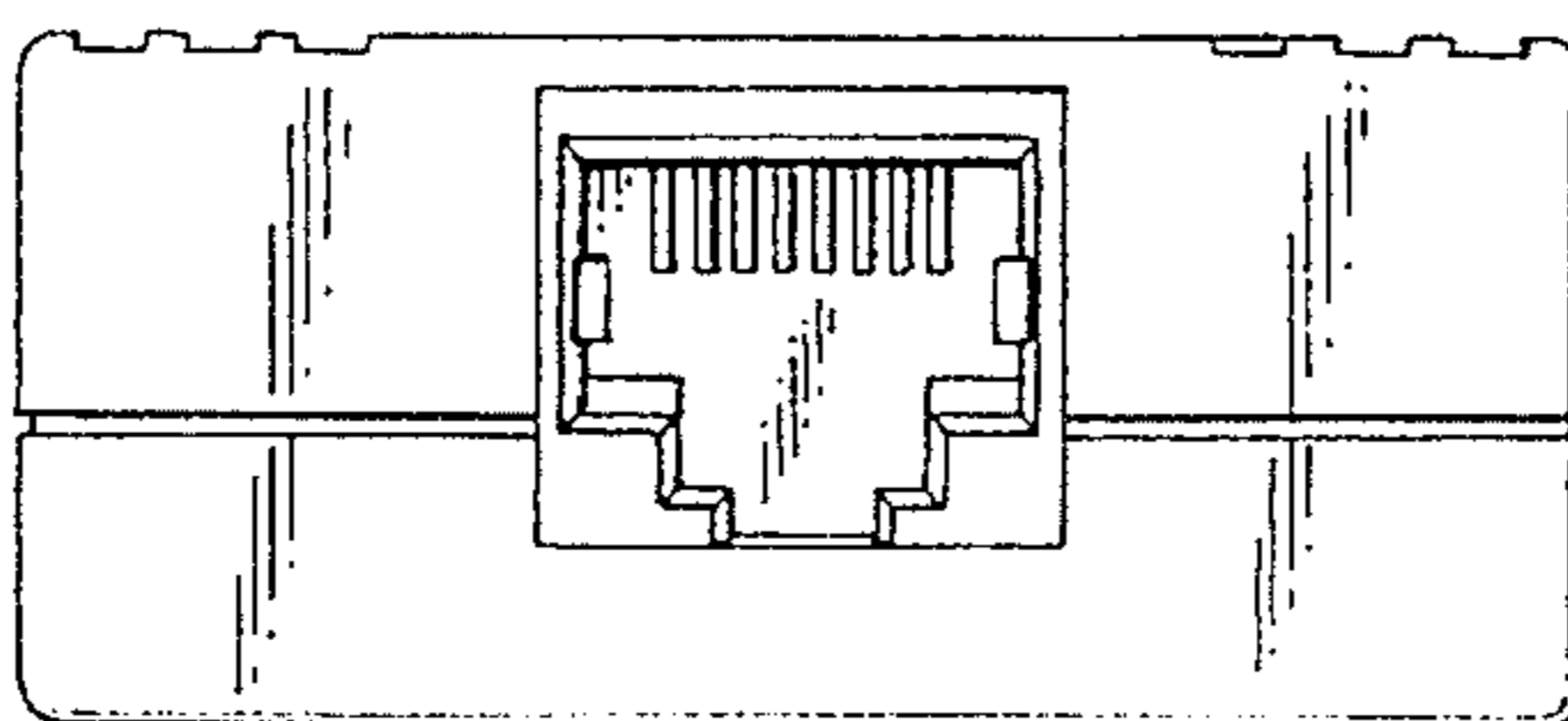


FIG. 6

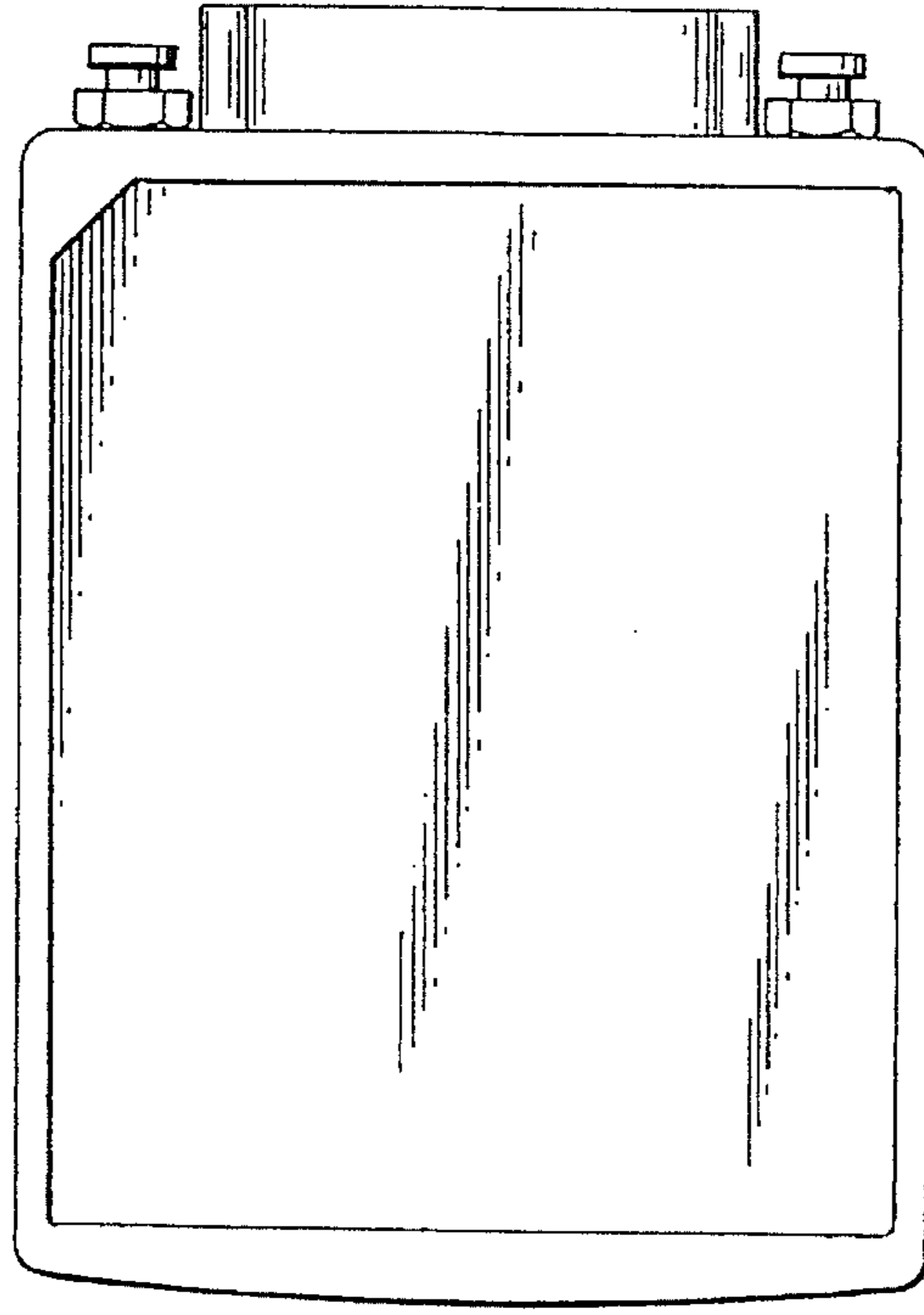


FIG. 7

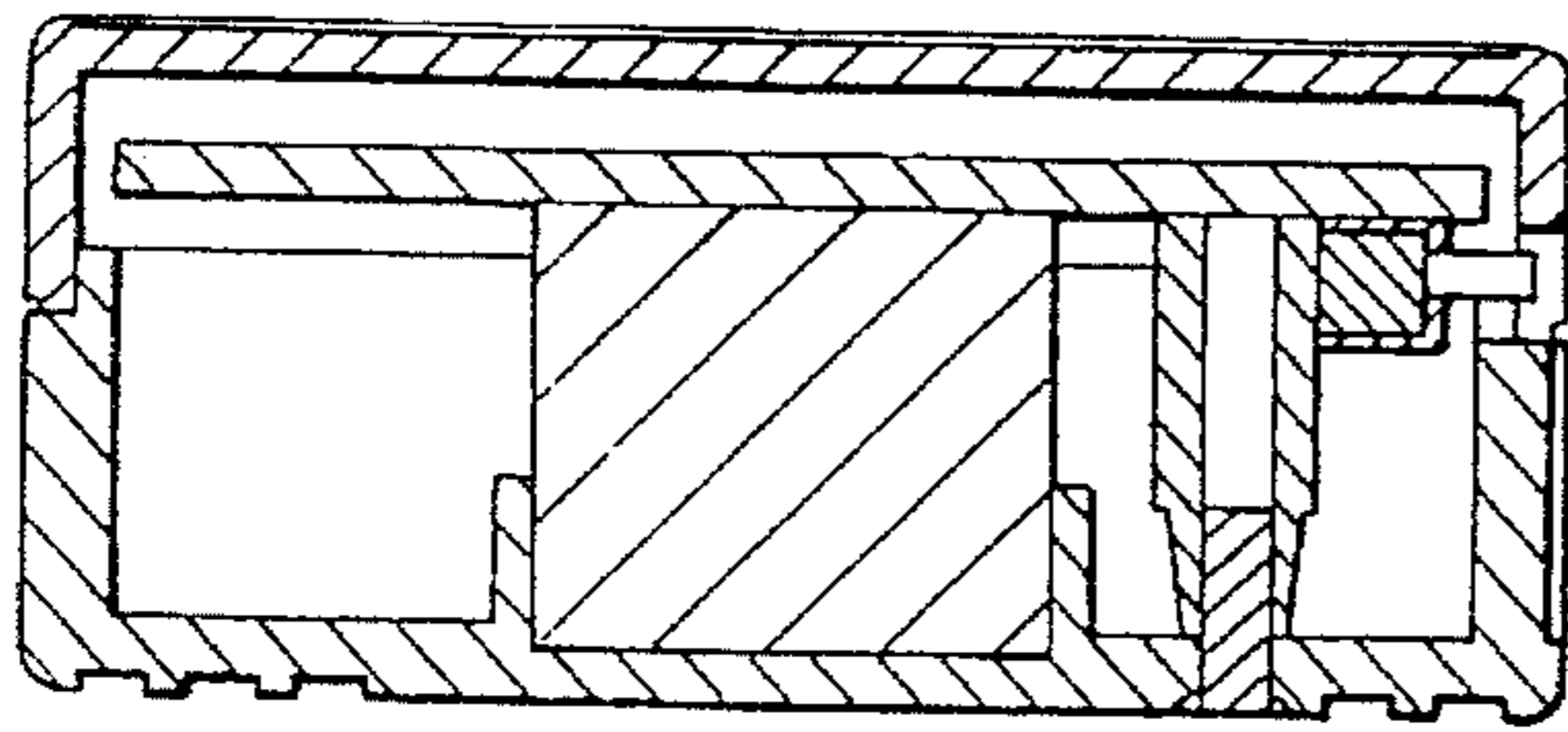


FIG. 8

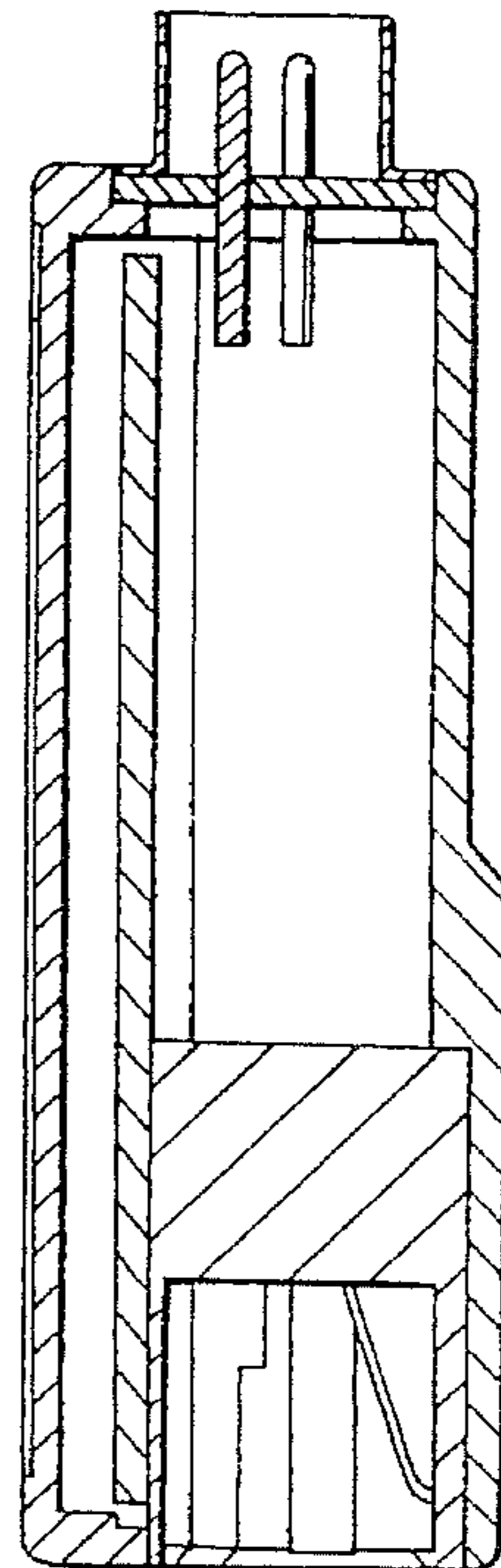


FIG. 9

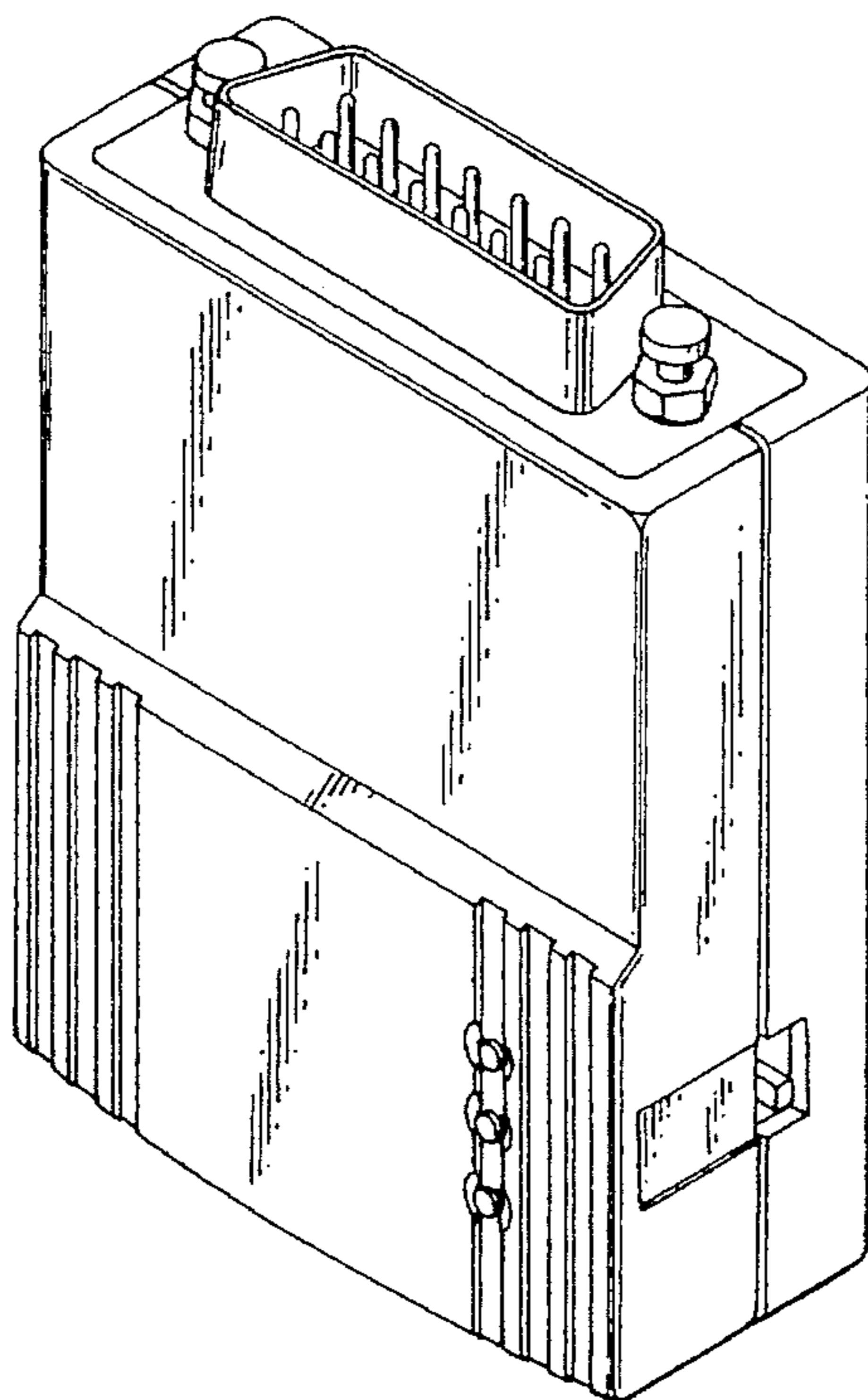


FIG. 10

