



US00D366877S

United States Patent [19] Gipson

[11] Patent Number: **Des. 366,877**

[45] Date of Patent: ****Feb. 6, 1996**

[54] **PORTABLE SATELLITE ANTENNA MOUNT**

5,207,406 5/1993 Stine et al. .

[76] Inventor: **Richard L. Gipson**, 4450 Ireland Dr.,
Owensboro, Ky. 42303

Primary Examiner—Dominic Simone
Attorney, Agent, or Firm—Richard C. Litman

[**] Term: **14 Years**

[57] **CLAIM**

[21] Appl. No.: **32,886**

The ornamental design for a portable satellite antenna mount, as shown and described.

[22] Filed: **Dec. 30, 1994**

DESCRIPTION

[52] U.S. Cl. **D14/238**

[58] Field of Search D14/230, 231,
D14/238; 343/757, 878, 882, 884

FIG. 1 is an environmental perspective view of a portable satellite antenna mount showing my new design;
FIG. 2 is a top view thereof;
FIG. 3 is a front elevational view thereof;
FIG. 4 is a left side elevational view;
FIG. 5 is a rear elevational view thereof; and,
FIG. 6 is a right side elevational view.

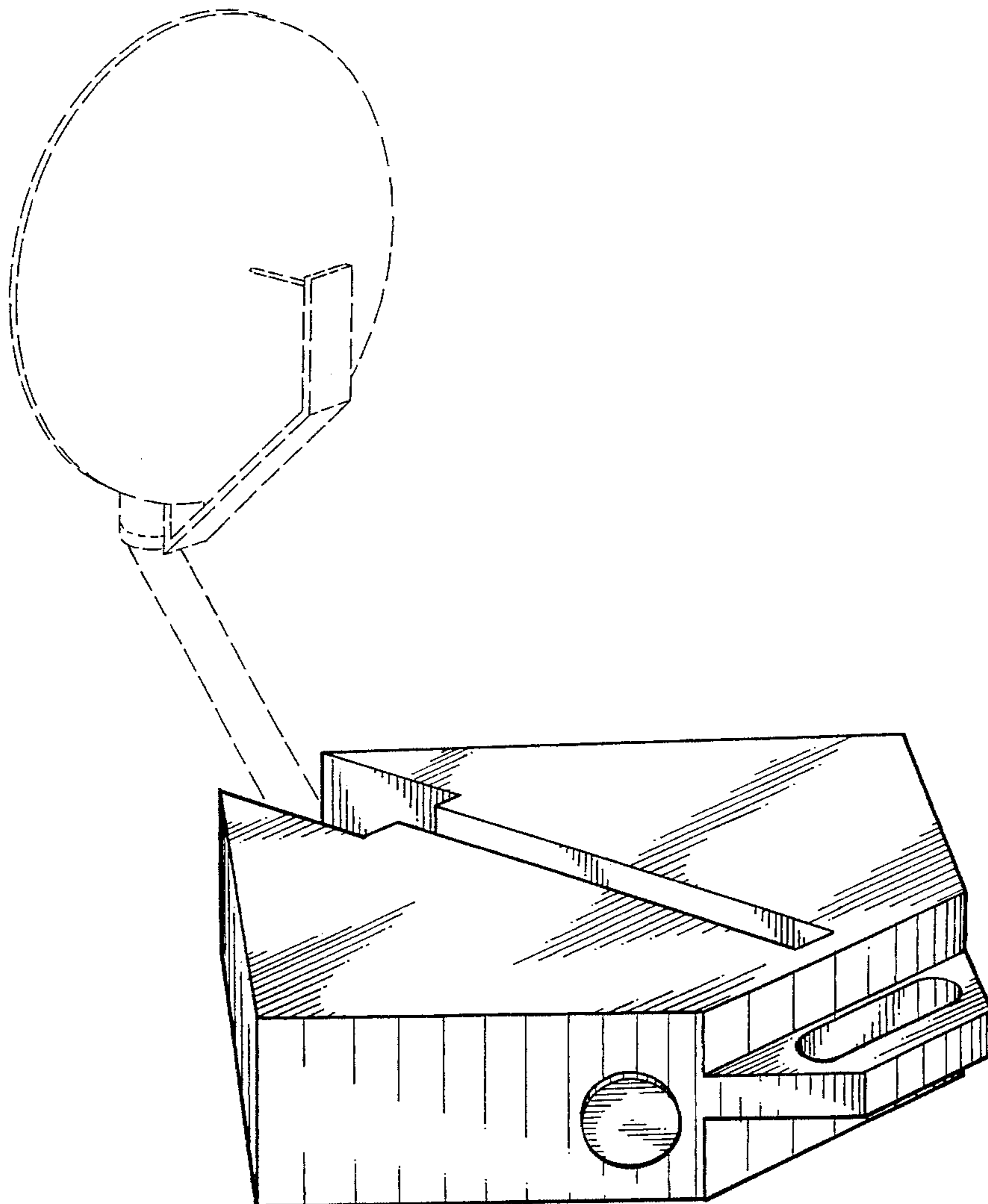
[56] **References Cited**

U.S. PATENT DOCUMENTS

D. 285,686	9/1986	Laughart	D14/238
D. 320,604	10/1991	Hutchinson et al.	D14/238
D. 321,886	11/1991	Metivier	D14/238
2,947,989	8/1960	Ford et al.	343/757
5,019,833	5/1991	Nonaka .	
5,142,293	8/1992	Ross .	
5,158,281	10/1992	Williams .	

The undisclosed bottom is unornamented.
The broken line showing of the antenna and support pole is for illustrative purposes only and forms no part of the claimed design.

1 Claim, 2 Drawing Sheets



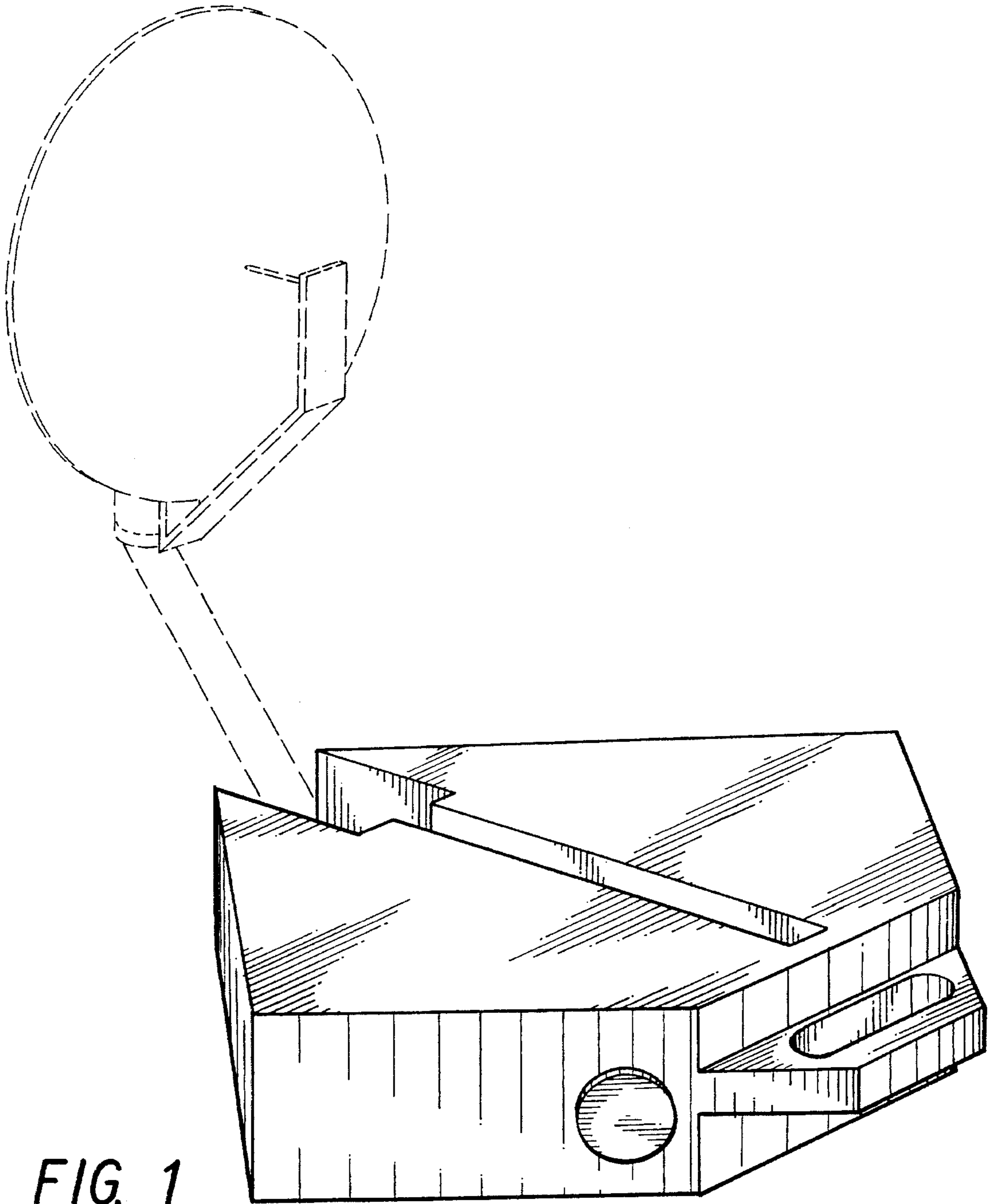
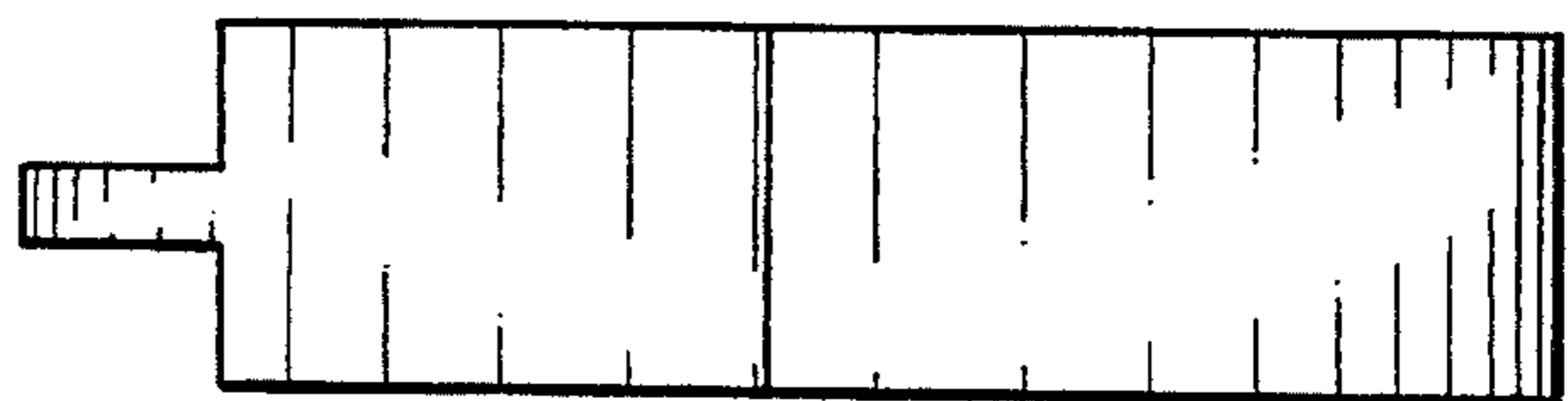


FIG. 6



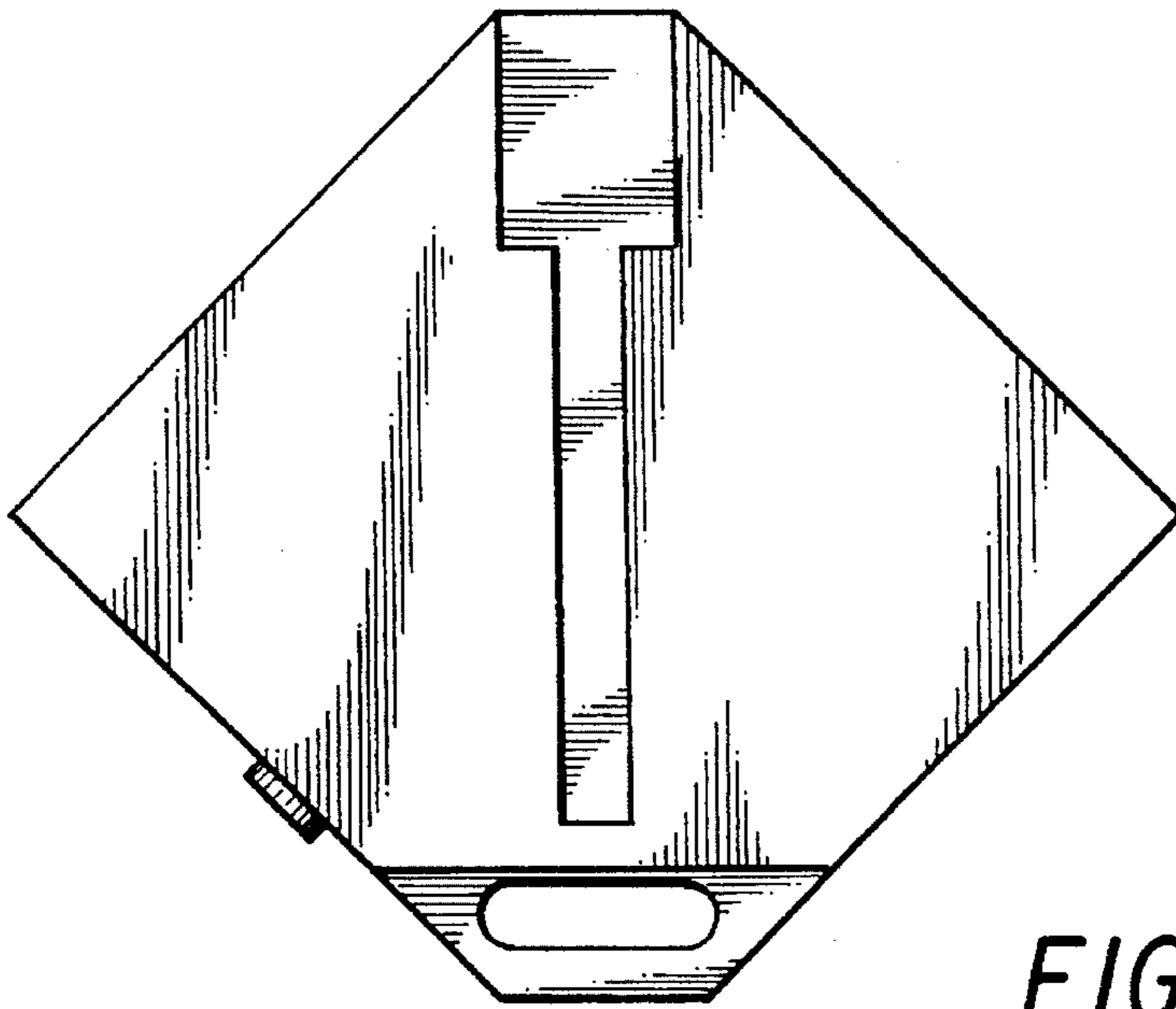


FIG. 2

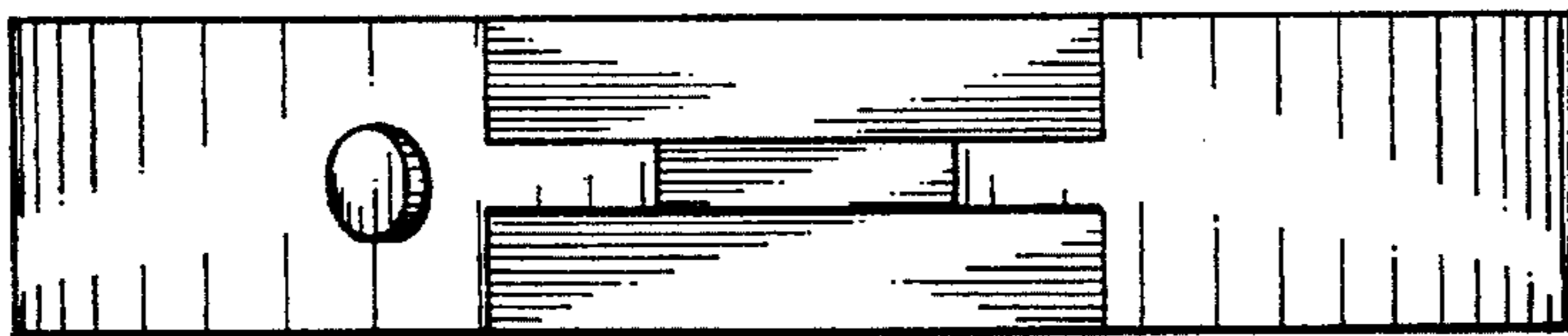


FIG. 3

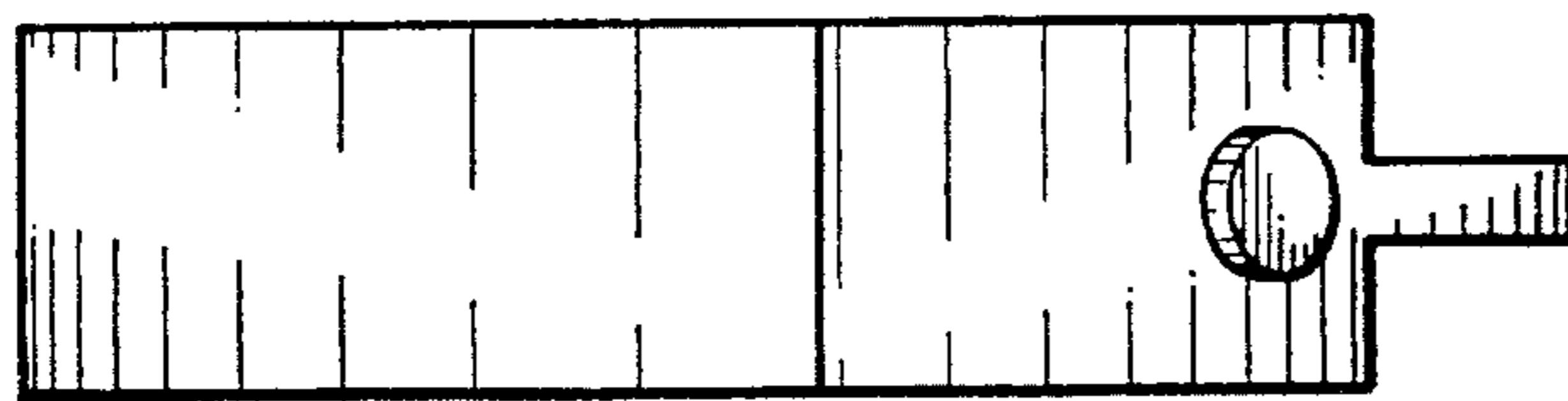


FIG. 4

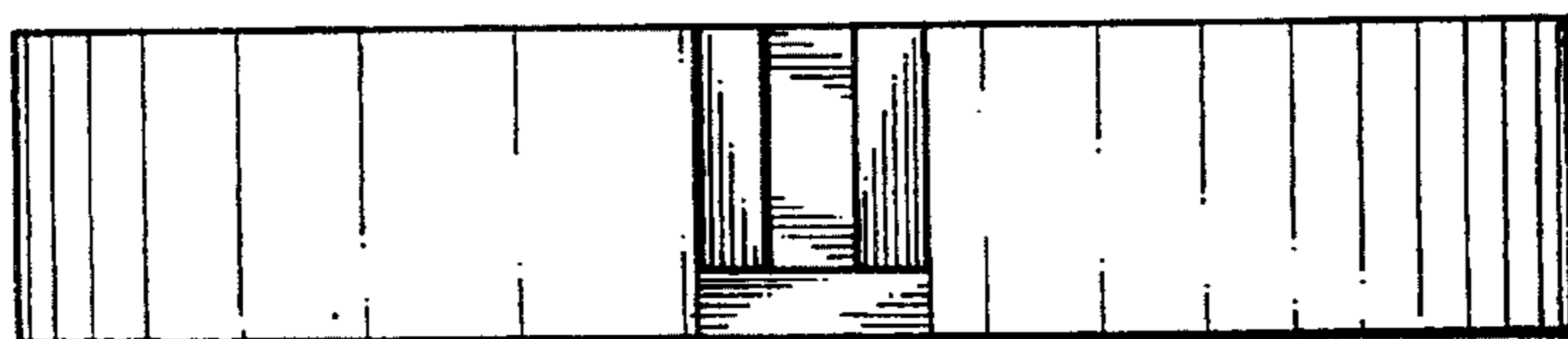


FIG. 5