



US00D366873S

United States Patent [19]
Nakayama

[11] **Patent Number: Des. 366,873**
[45] **Date of Patent: **Feb. 6, 1996**

[54] **CORDLESS TELEPHONE COMBINED WITH
CLOCK AND RADIO**

[75] Inventor: **Takao Nakayama**, Tokyo, Japan

[73] Assignee: **Sony Corporation**, Tokyo, Japan

[**] Term: **14 Years**

[21] Appl. No.: **27,614**

[22] Filed: **Aug. 25, 1994**

[52] U.S. Cl. **D14/144; D14/148; D14/149**

[58] **Field of Search** D14/140, 142,
D14/144, 138, 149-151, 240, 241; 379/428,
440, 420, 419, 434-436, 90; D10/2

[56] **References Cited**

U.S. PATENT DOCUMENTS

D. 251,844	5/1979	Kramer	D14/151
D. 256,917	9/1980	De Filippis et al.	D10/2
D. 274,244	6/1984	Kim	D14/138
D. 295,041	4/1988	Wong et al.	D14/144
D. 298,318	11/1988	Doi	D14/151 X
D. 309,303	7/1990	Appleby	D14/144
D. 318,829	9/1991	Wu	D14/151

D. 335,669 5/1993 Yu D14/144

Primary Examiner—Jeffrey Asch
Attorney, Agent, or Firm—Thomas G. Carulli

[57] **CLAIM**

The ornamental design for a cordless telephone combined with clock and radio, as shown and described.

DESCRIPTION

FIG. 1 is a rear elevational view showing my new design; FIG. 2 is a left-side elevational view thereof; FIG. 3 is a top plan view thereof; FIG. 4 is a right-side elevational view thereof; FIG. 5 is a front elevational view thereof; FIG. 6 is a bottom plan view thereof; FIG. 7 is a top, front, and right-side perspective view thereof; FIG. 8 is a top, front, and right-side perspective view thereof, the hand-set being partially removed from the base; and, FIG. 9 is a top, front, and right-side perspective view thereof in operating condition wherein the features of the display are shown.

1 Claim, 3 Drawing Sheets

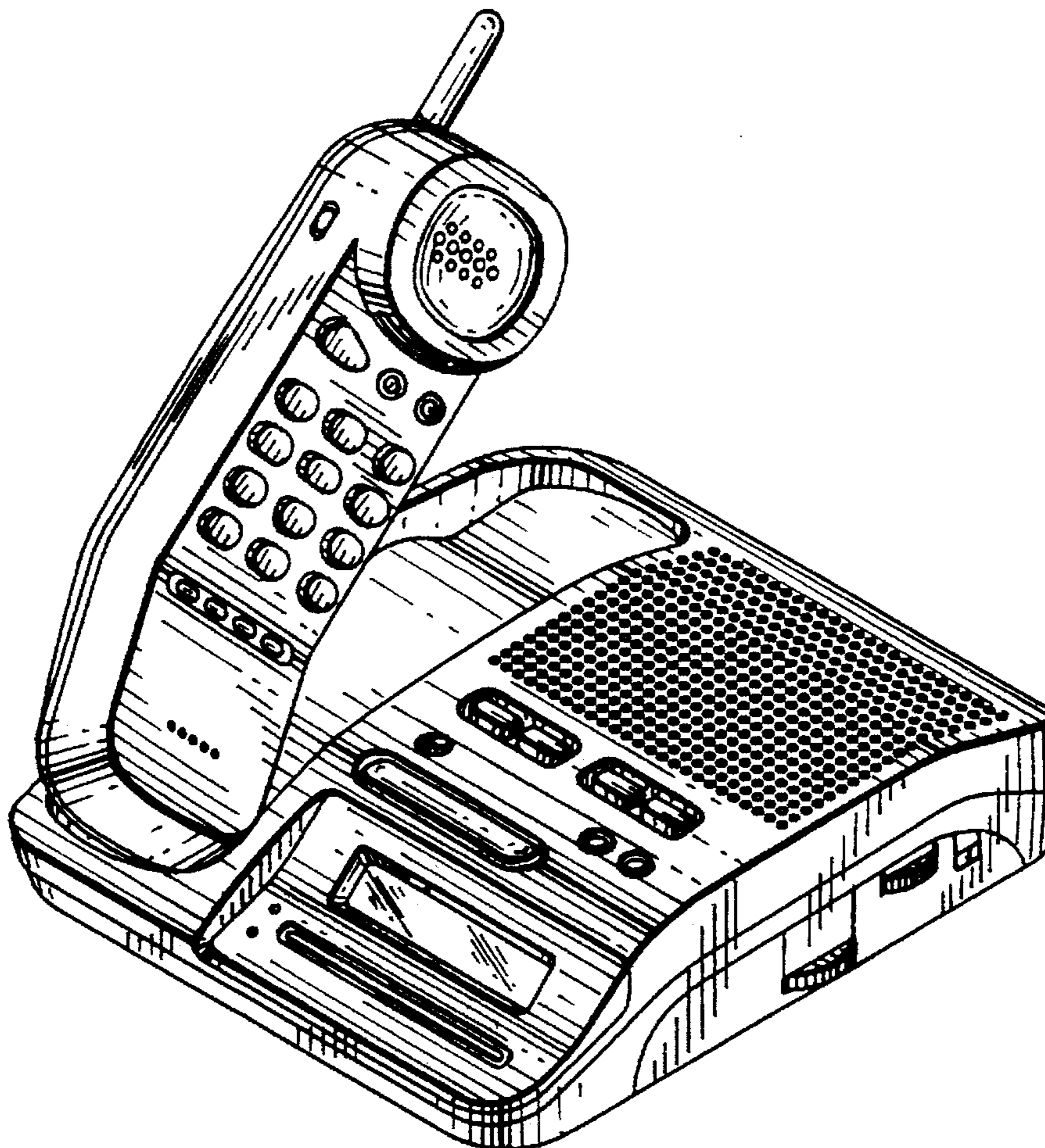


FIG. 1

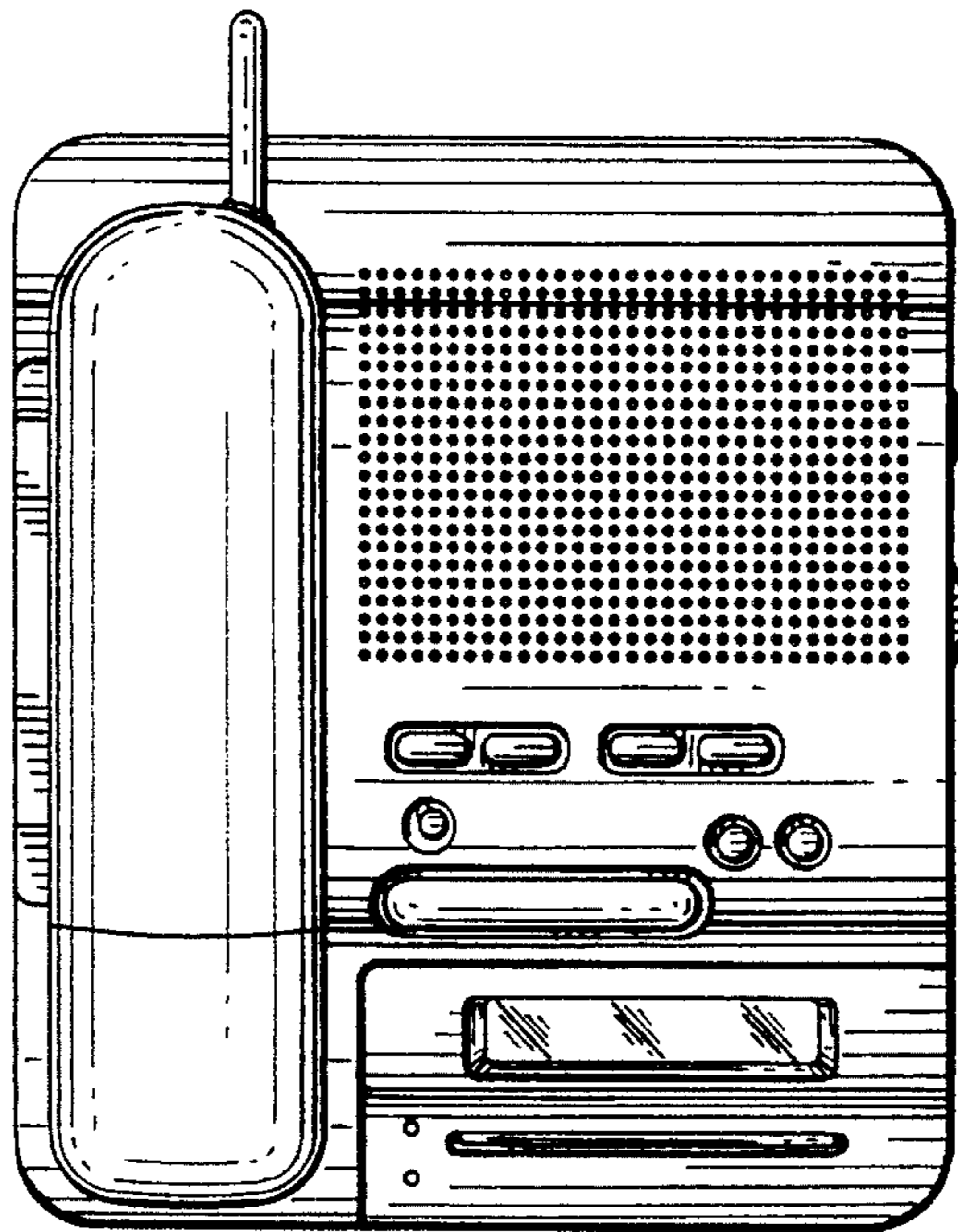
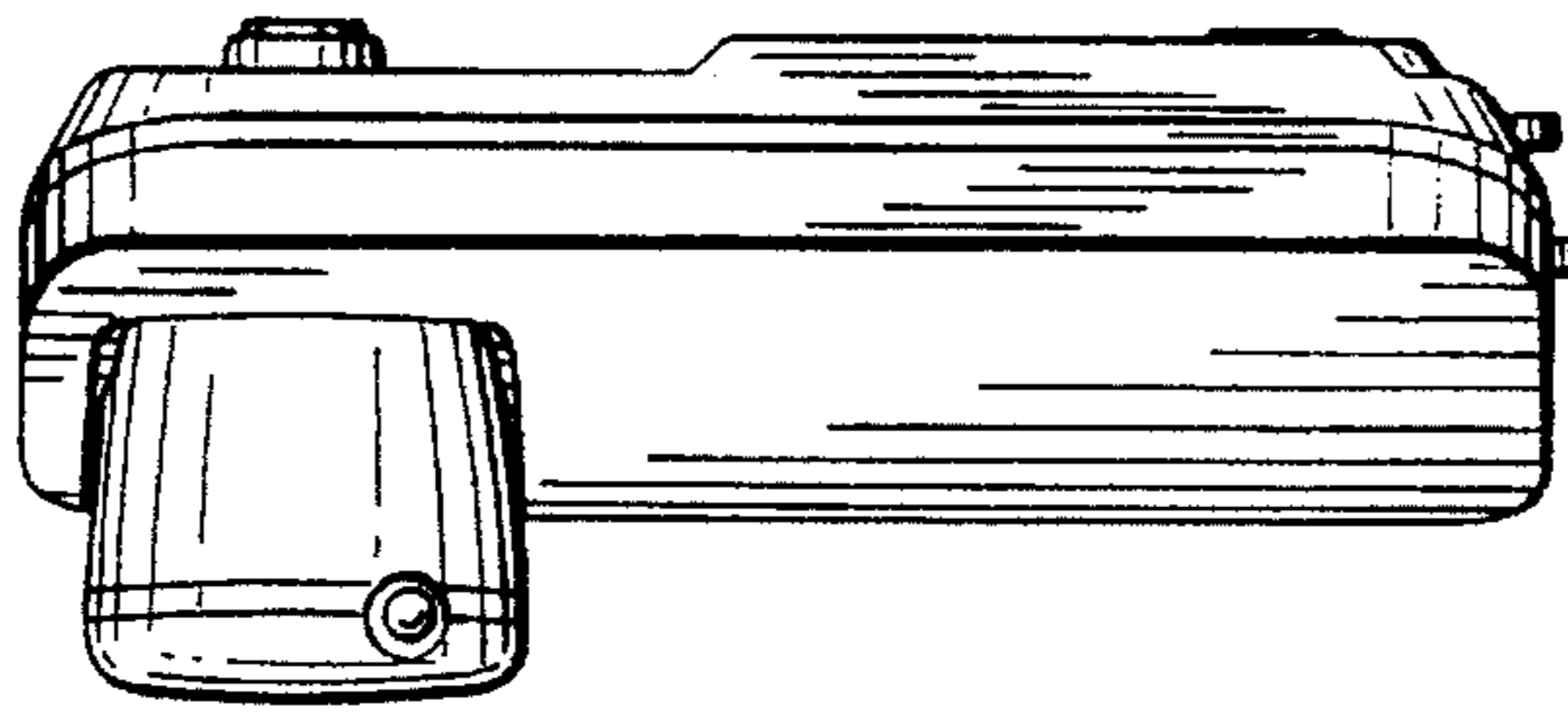


FIG. 3

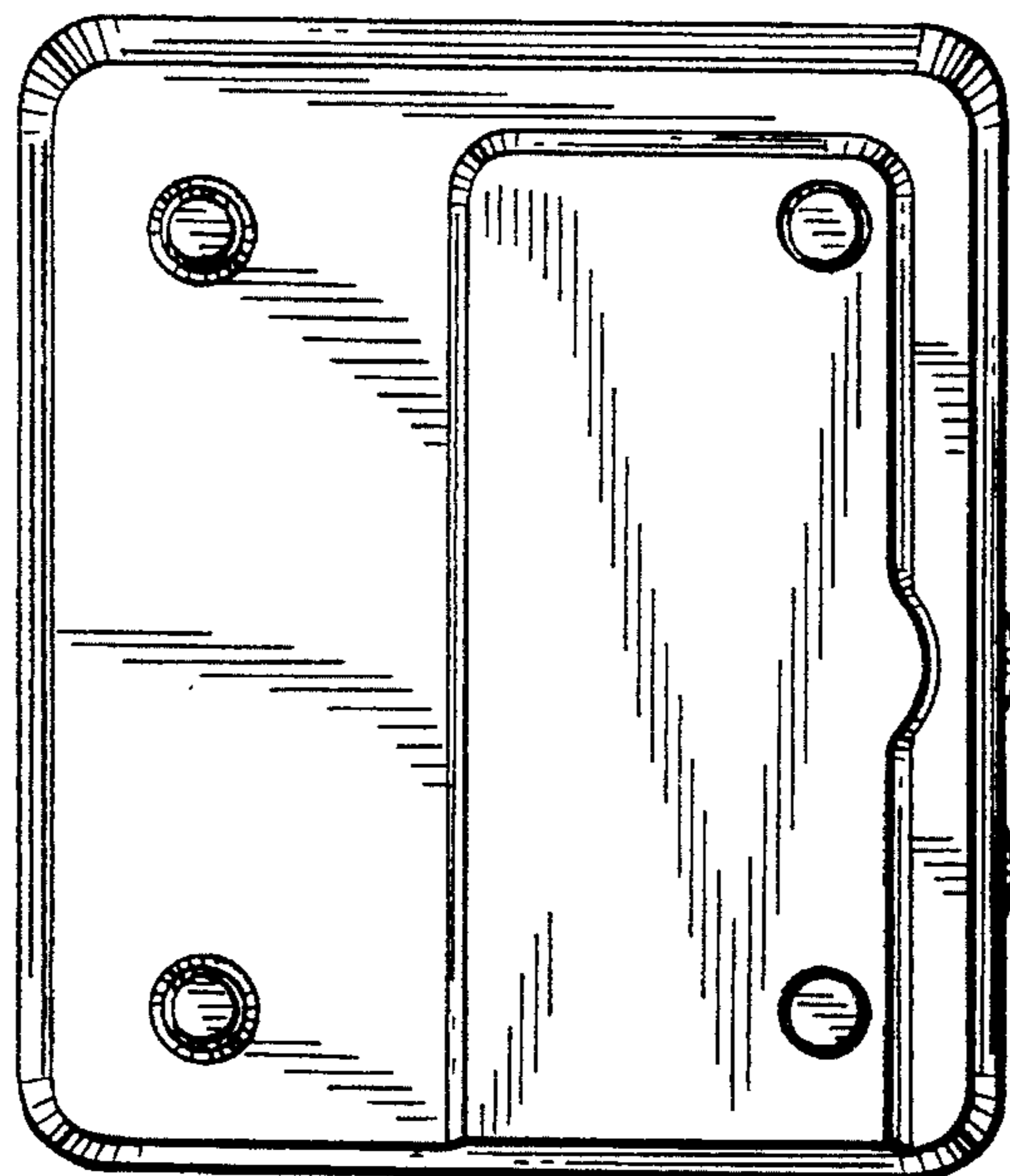


FIG. 6

FIG. 2

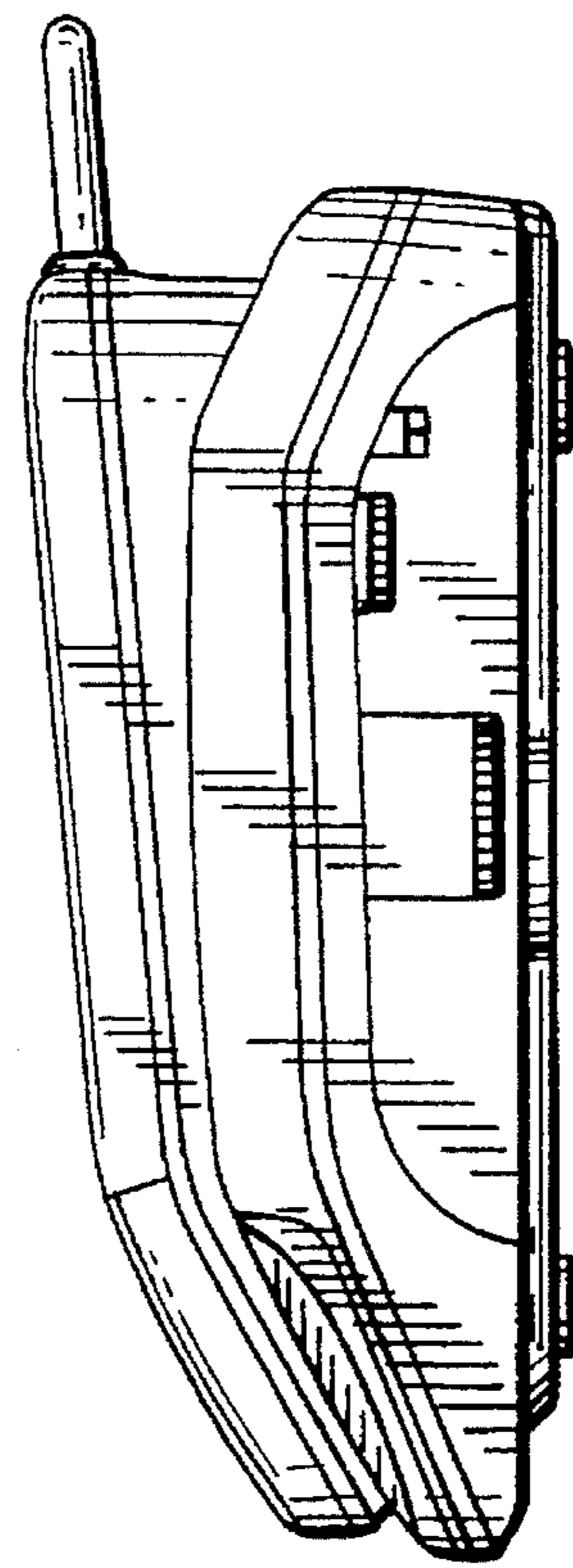
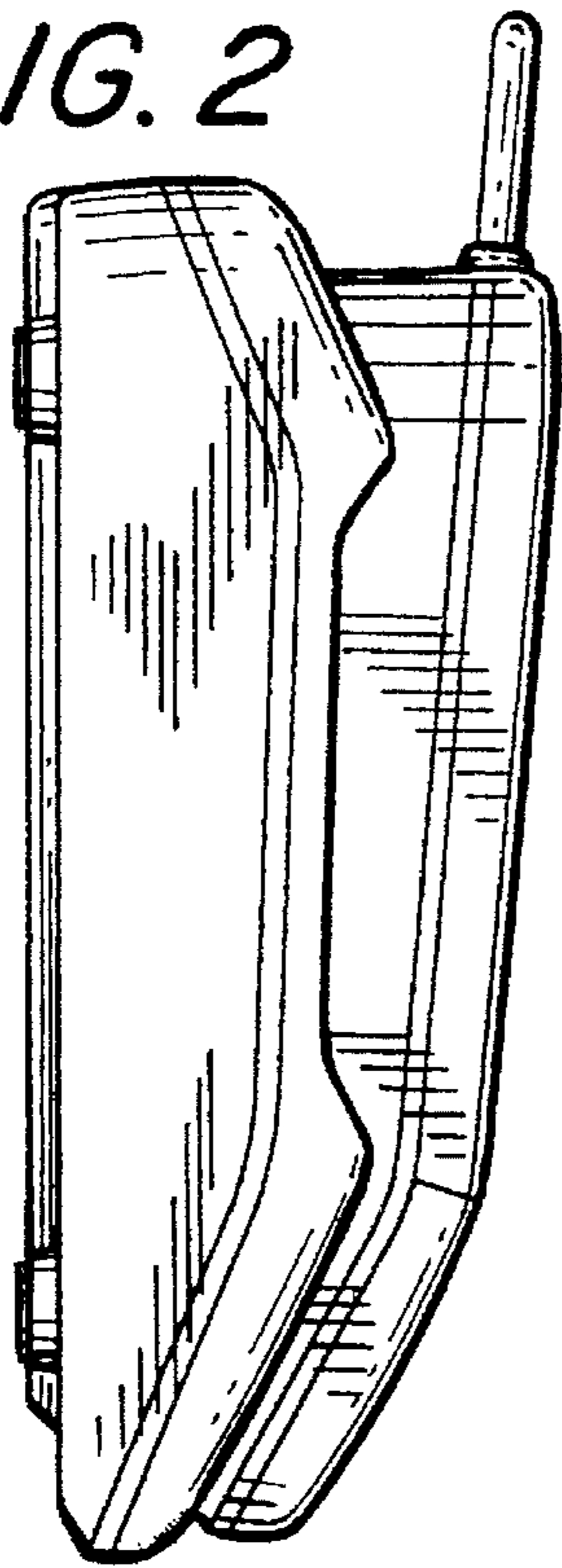


FIG. 4

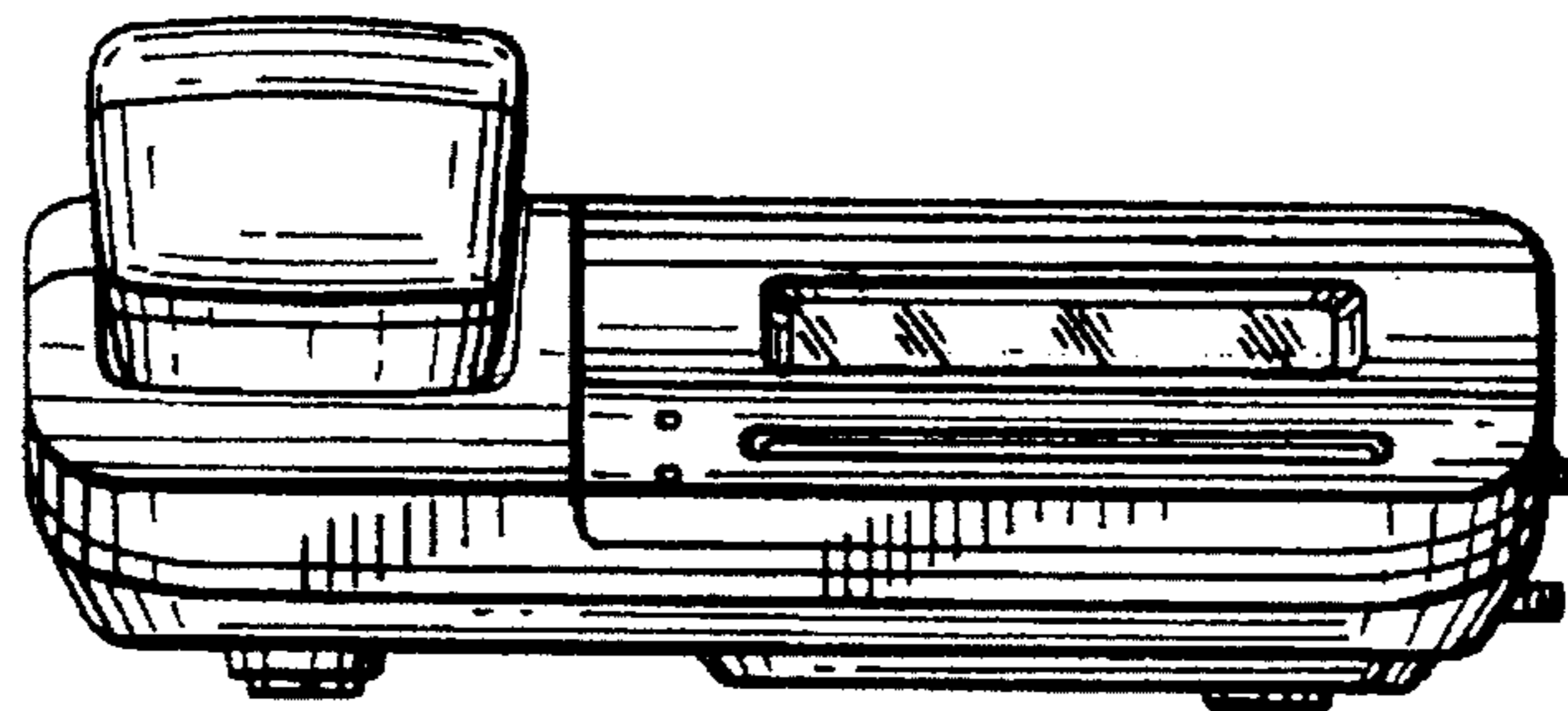


FIG. 5

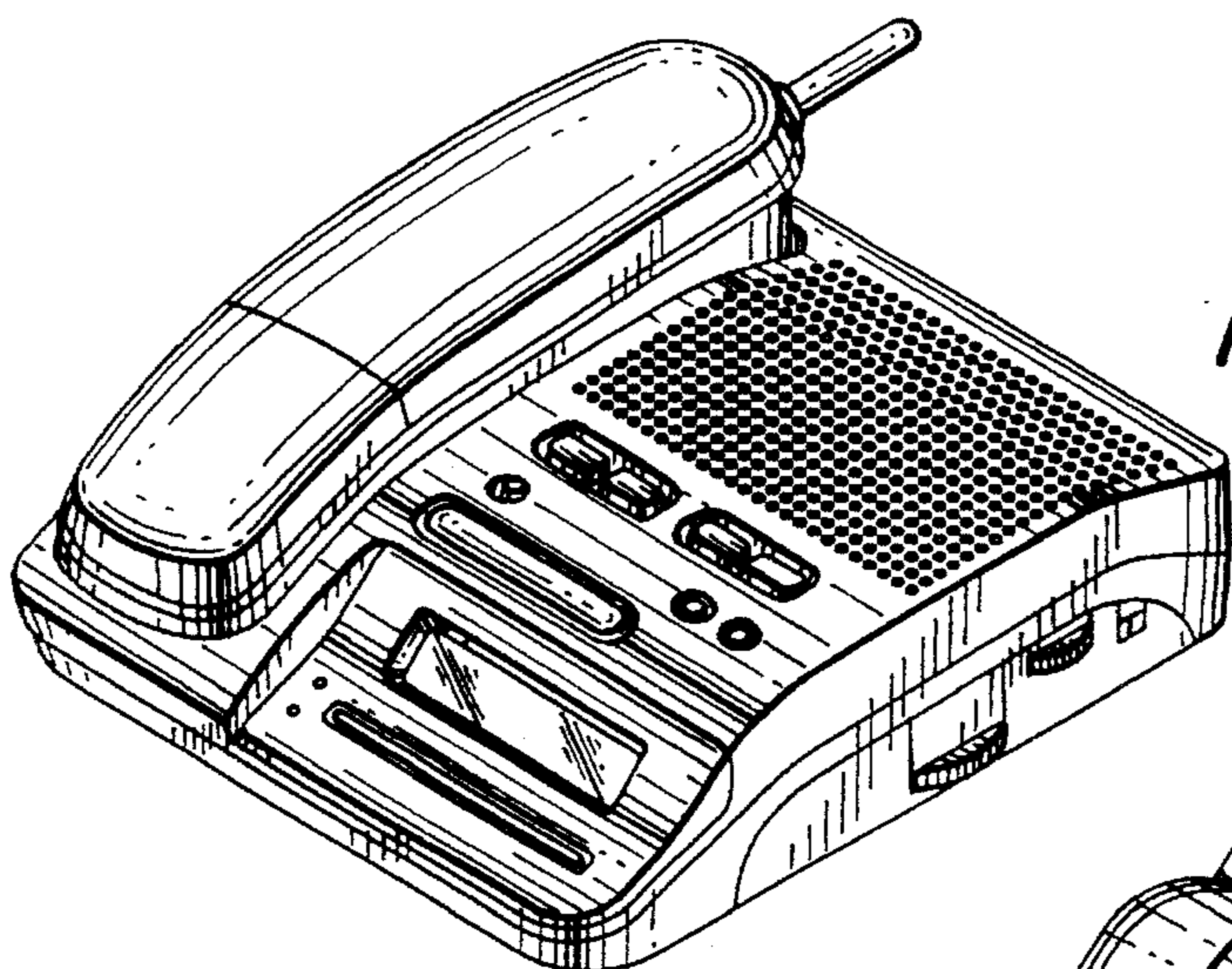


FIG. 7

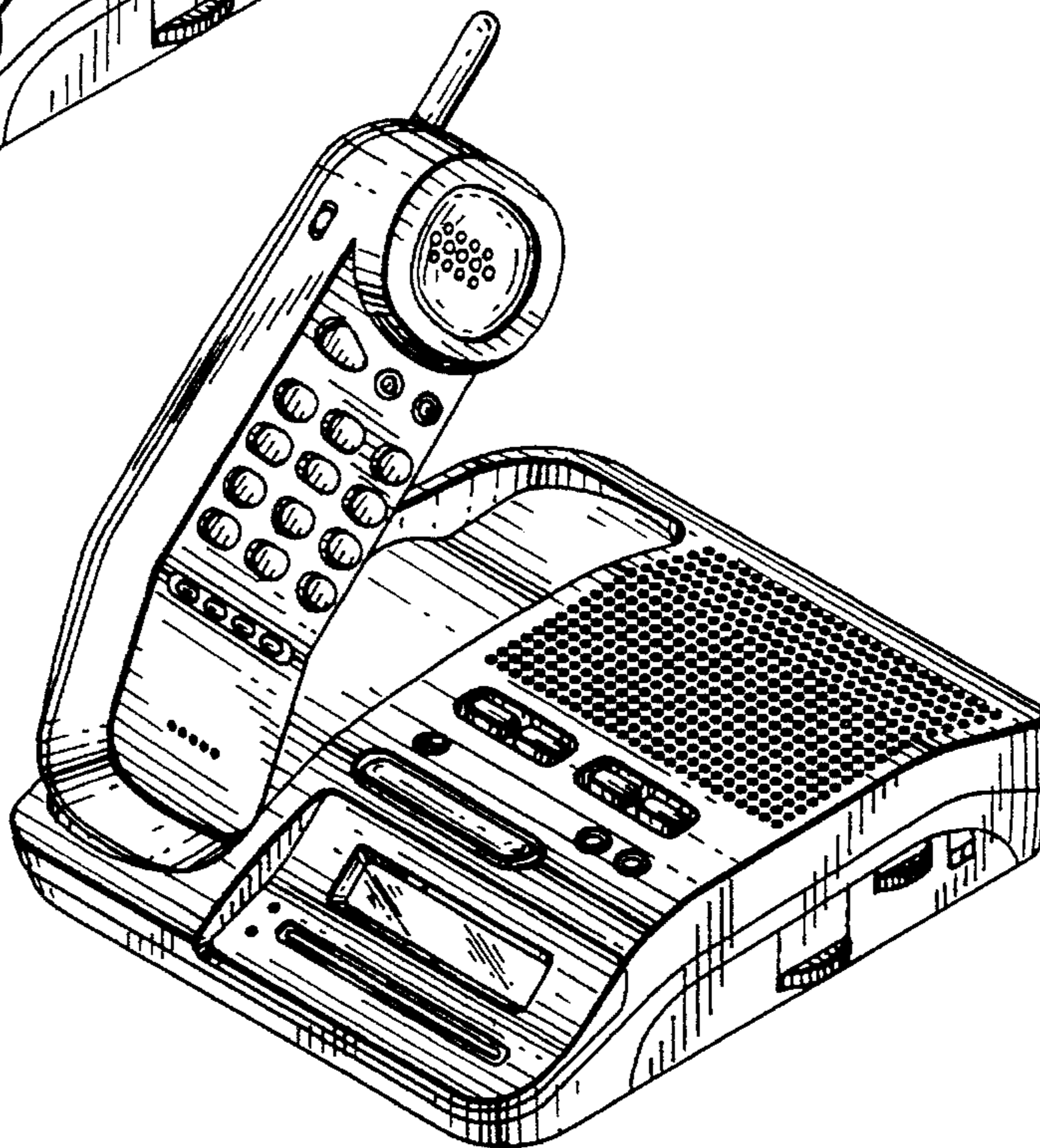


FIG. 8

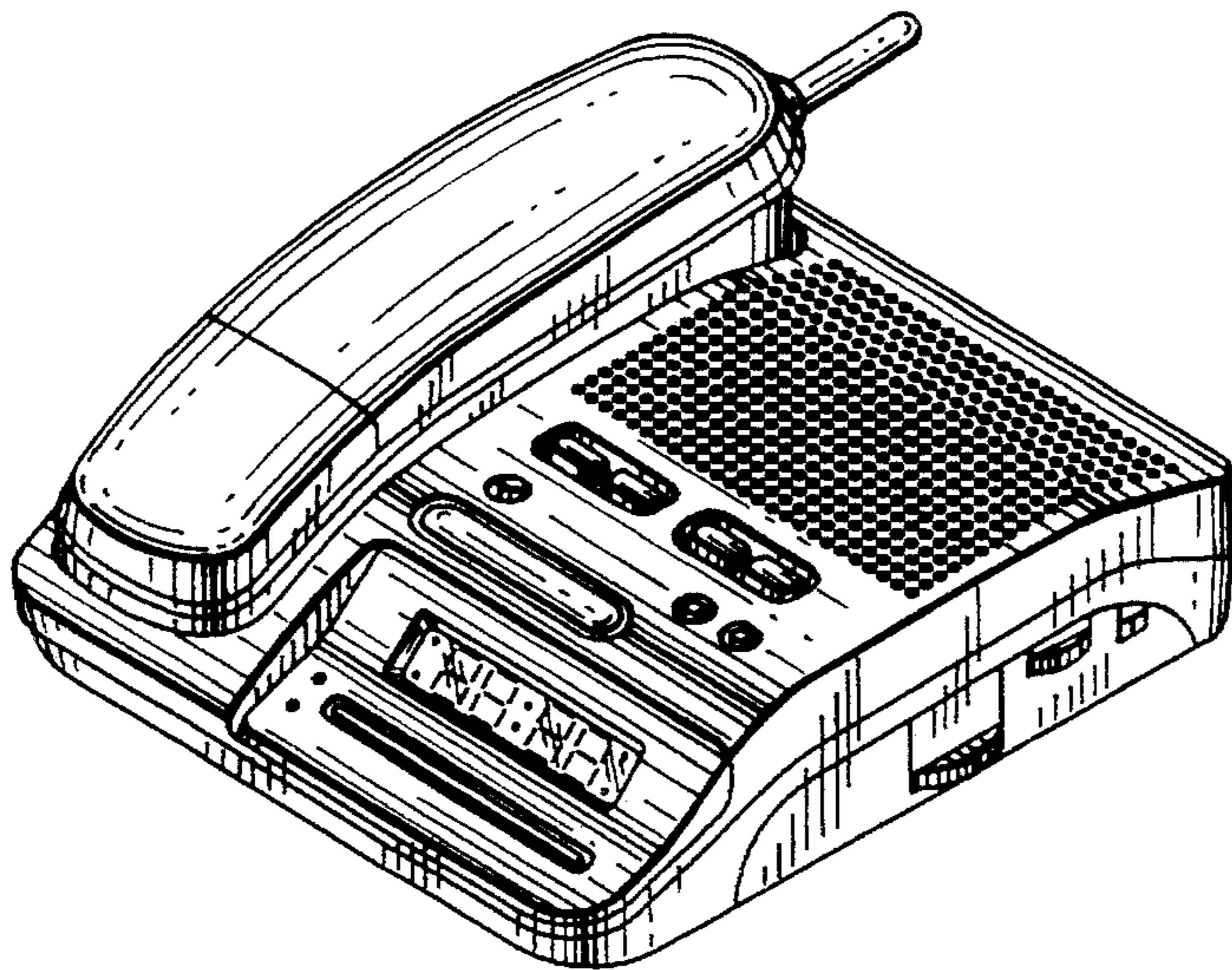


FIG. 9