



US00D366870S

# United States Patent [19]

[11] **Patent Number:** **Des. 366,870**

**Triggs et al.**

[45] **Date of Patent:** **\*\*Feb. 6, 1996**

[54] **COMPUTER KEYBOARD**

D. 336,468 6/1993 Reiter ..... D14/115  
D. 356,075 3/1995 Paloyan et al. .... D14/115

[76] Inventors: **James R. Triggs**, 5416 Park Pl., Edina, Minn. 55424; **Dave Dorn**, 5524 Nantucket Rd., Minnetonka, Minn. 55345

*Primary Examiner*—Freda Nunn  
*Attorney, Agent, or Firm*—Joel D. Skinner, Jr.

[\*\*] Term: **14 Years**

[57] **CLAIM**

The ornamental design for a computer keyboard, as shown and described.

[21] Appl. No.: **29,610**

**DESCRIPTION**

[22] Filed: **Oct. 11, 1994**

[52] U.S. Cl. .... **D14/115**

[58] **Field of Search** ..... D14/100, 101, D14/106, 115; D18/1, 7, 11, 12, 2; 235/145 A, 145 R; 200/5 A, 5 R, 6 A, 6 R; 345/168; 341/22, 23; 364/708.1; 400/472, 479, 484-486, 488, 489, 682; D19/59, 60, 62; D21/48, 59

FIG. 1 is a perspective view of computer keyboard showing the new design;  
FIG. 2 is a frontal view thereof;  
FIG. 3 is a back view thereof;  
FIG. 4 is top view thereof;  
FIG. 5 is a bottom view thereof;  
FIG. 6 is a side view thereof;  
FIG. 7 is an opposite side view thereof; and,  
FIG. 8 is a crosssectional view thereof, taken along line 8—8 of FIG. 2.

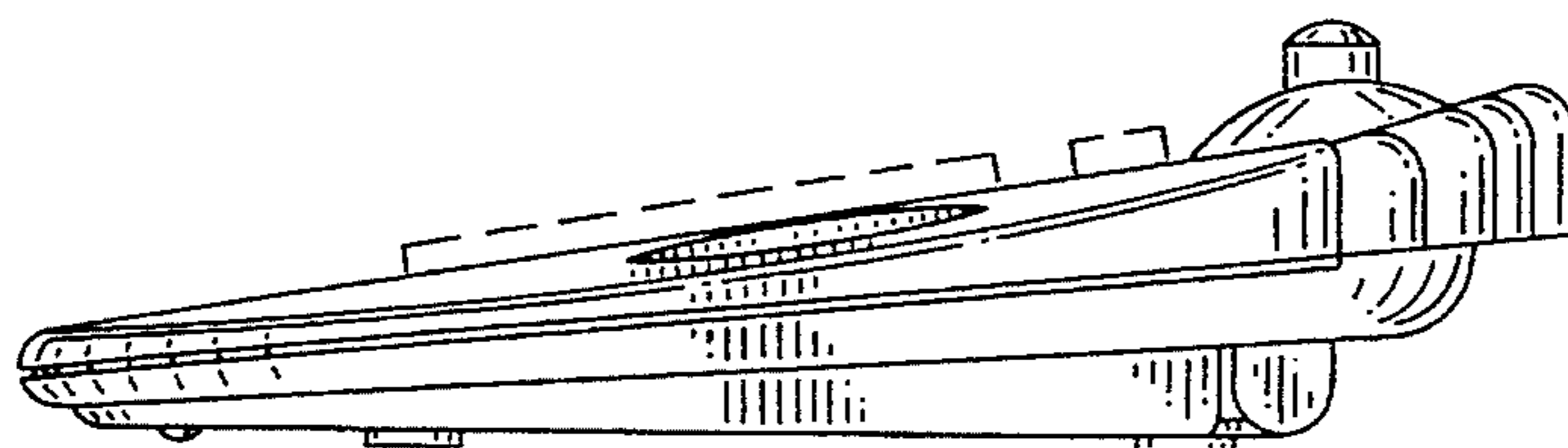
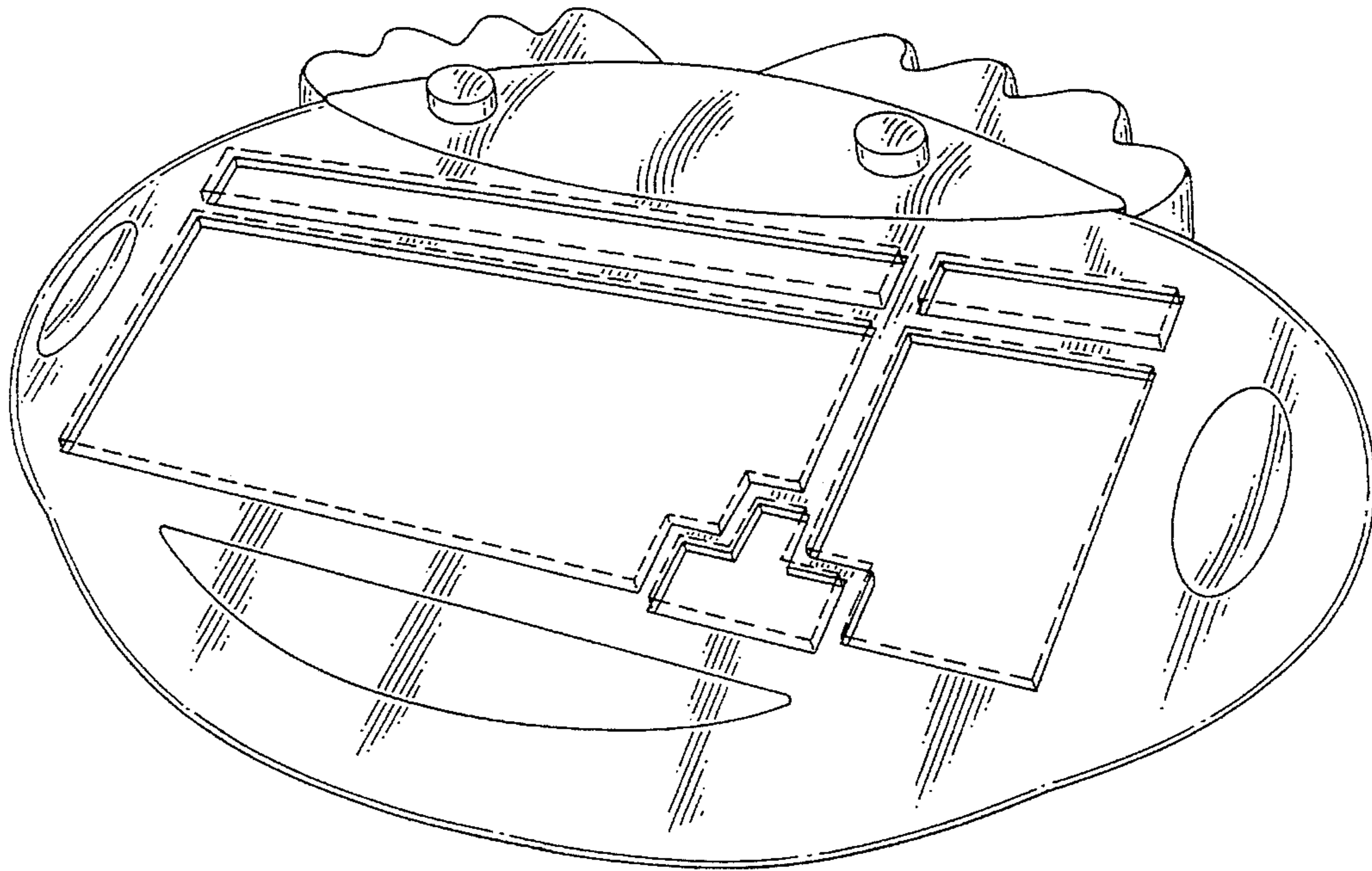
The keys are shown in broken lines in the views for illustrative purposes only and form no part of the claimed design.

[56] **References Cited**

**U.S. PATENT DOCUMENTS**

D. 247,927 5/1978 Sulek et al. .... D18/7  
D. 272,366 1/1984 Greenberg et al. .... D19/60  
D. 276,535 11/1984 Seifert ..... D18/2  
D. 280,530 9/1985 Sugiyama ..... D18/7 X

**1 Claim, 5 Drawing Sheets**



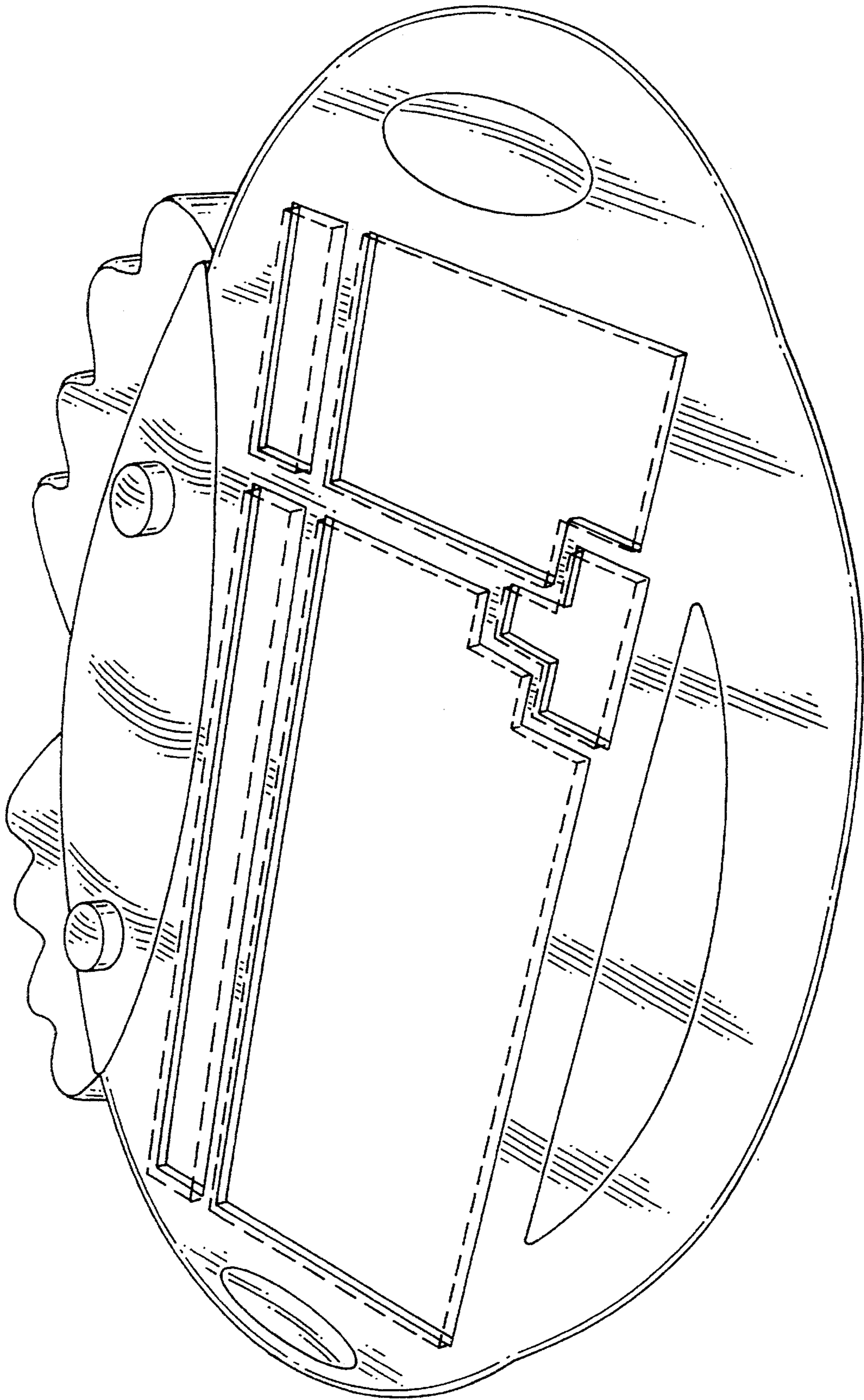


FIG. 1

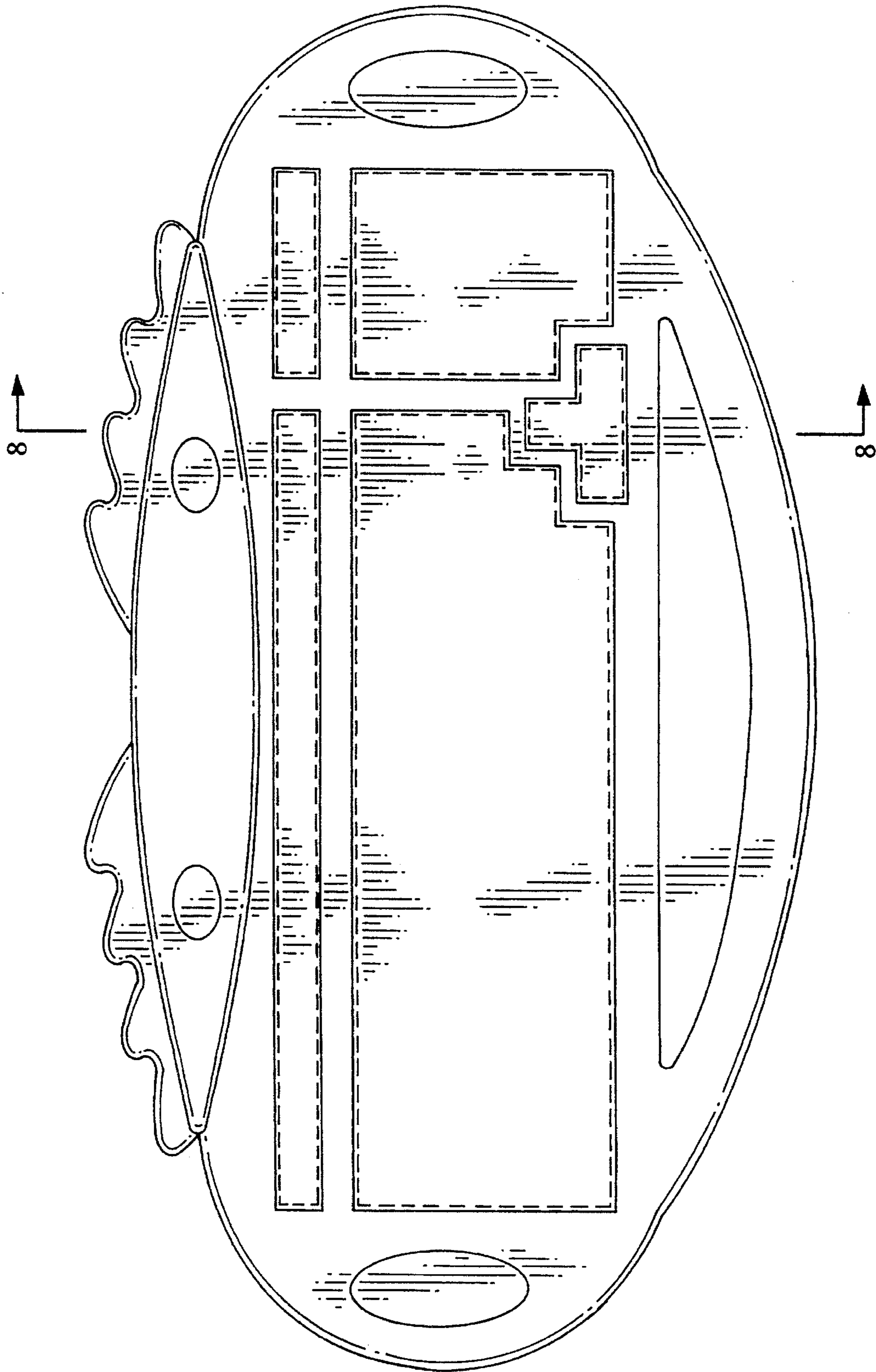


FIG. 2



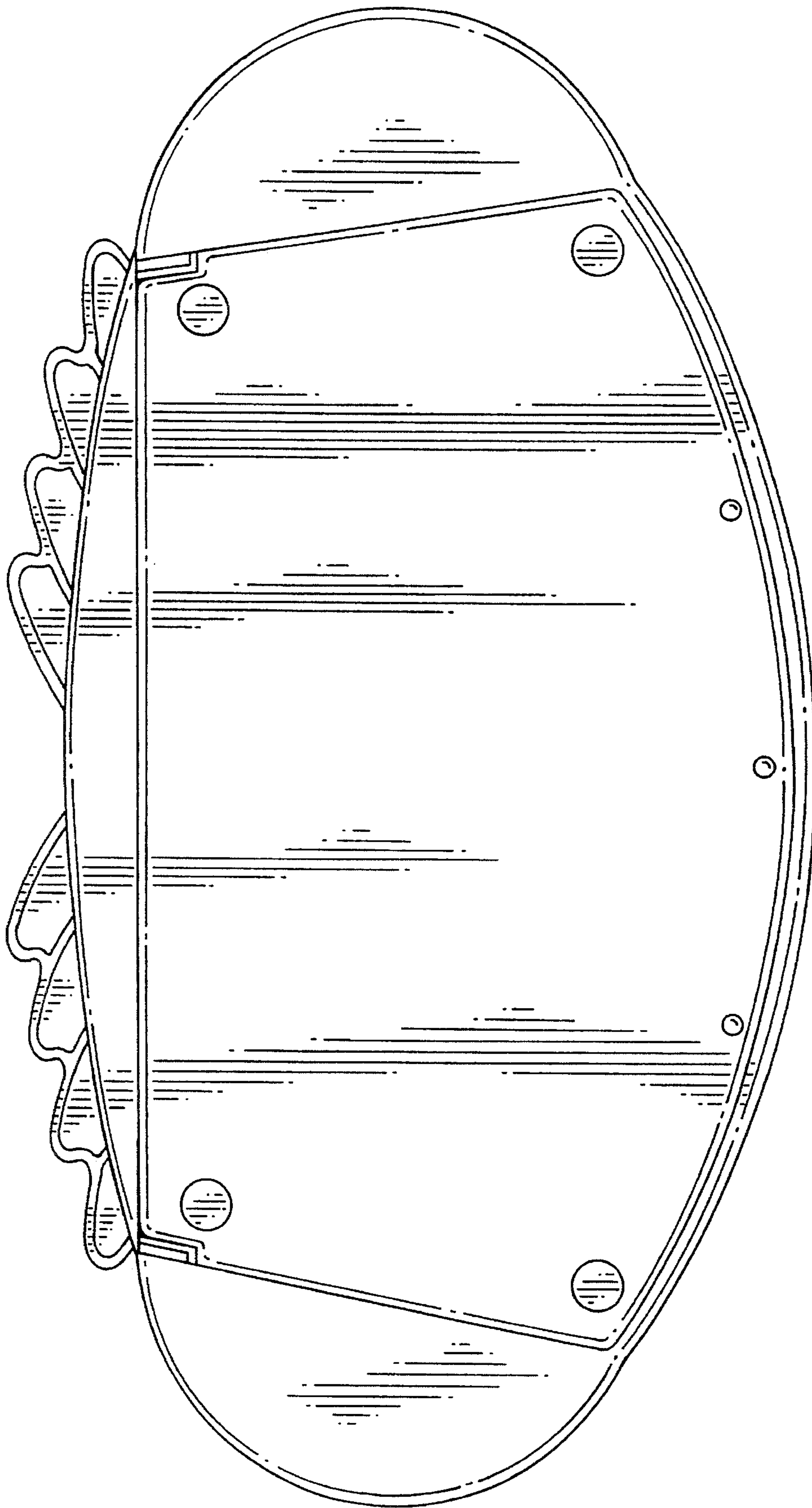


FIG. 3

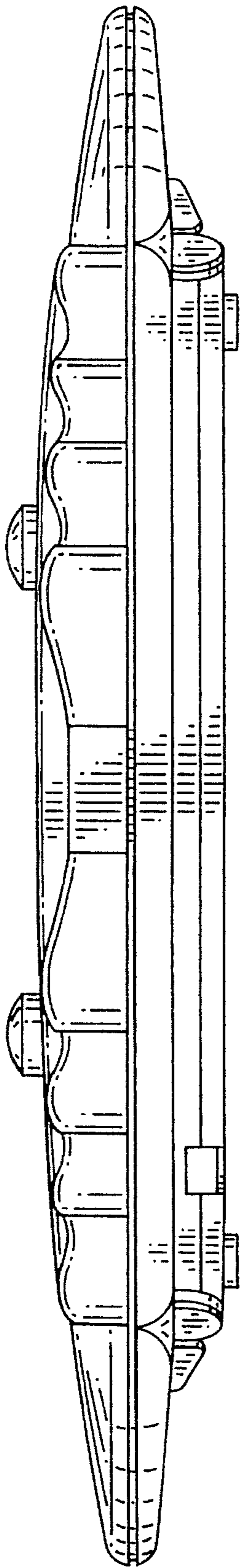


FIG. 4

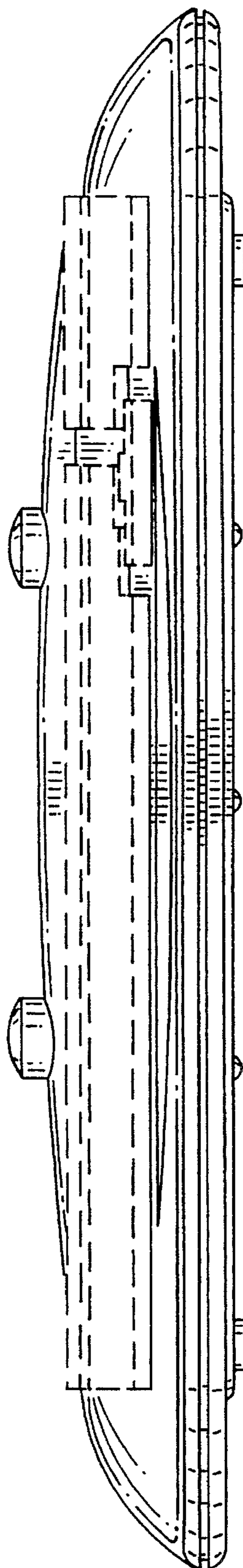


FIG. 5

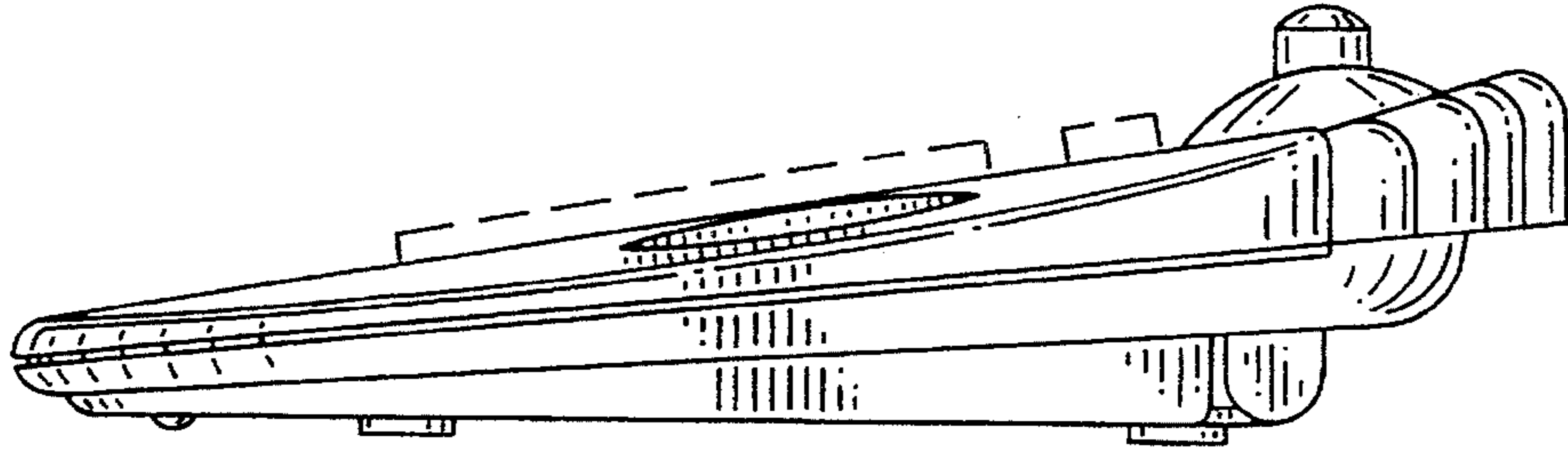


FIG. 6

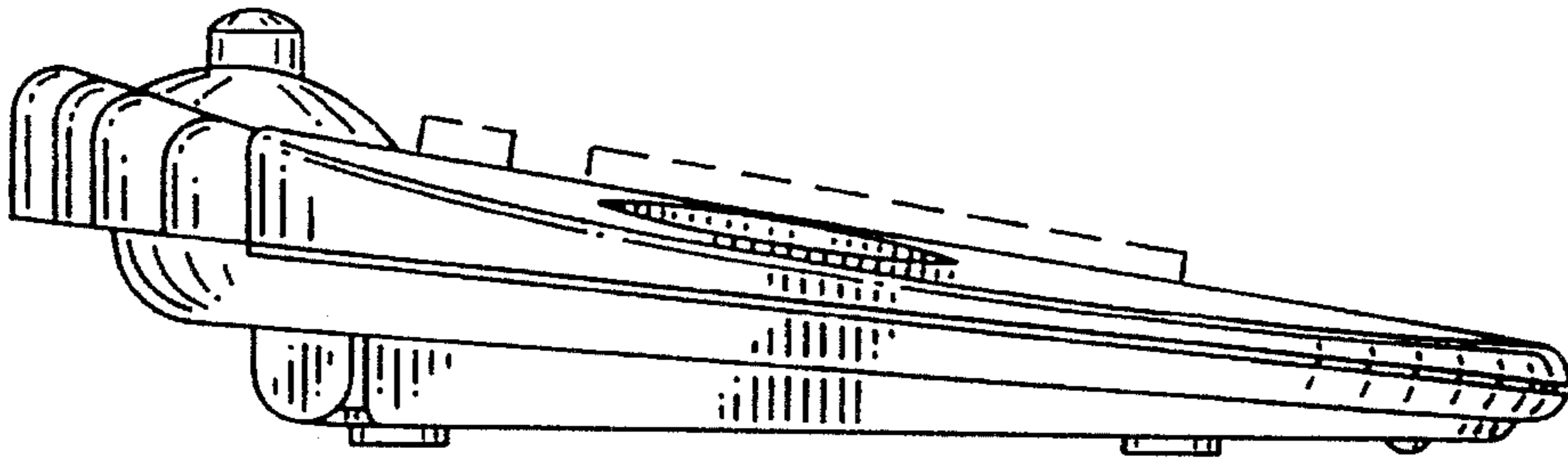


FIG. 7

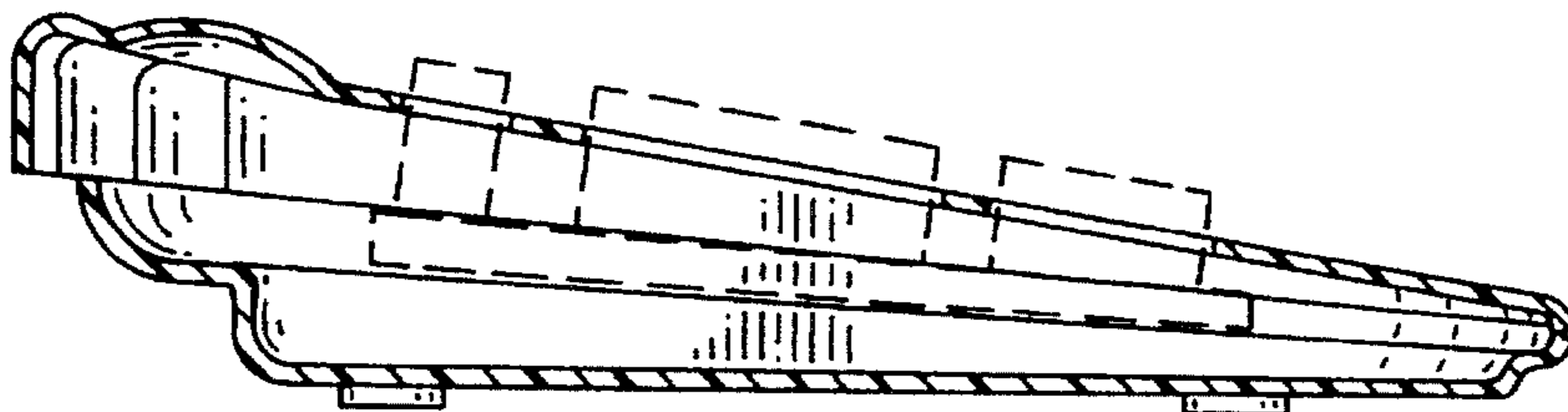


FIG. 8