



US00D366868S

United States Patent [19]

Ohsawa

[11] Patent Number: **Des. 366,868**

[45] Date of Patent: ****Feb. 6, 1996**

[54] **WAFER BOAT OR RACK**

404207022 7/1992 Japan 414/935
404207023 7/1992 Japan 414/935

[75] Inventor: **Tetu Ohsawa**, Sagamihara, Japan

[73] Assignees: **Tokyo Electron Kabushiki Kaisha**,
Tokyo; **Tokyo Electron Tohoku
Kabushiki Kaisha**, Esashi, both of
Japan

Primary Examiner—Alan P. Douglas
Assistant Examiner—S. Snapp
Attorney, Agent, or Firm—Ladas & Parry

[**] Term: **14 Years**

[57] CLAIM

The ornamental design for wafer boat or rack, as shown and described.

[21] Appl. No.: **13,666**

[22] Filed: **Sep. 29, 1993**

[52] U.S. Cl. **D13/182**; D6/407; D6/629

[58] **Field of Search** D6/396, 405, 407,
D6/626, 629, 630, 462, 466, 467, 468,
477, 478, 479; D14/120, 121; D19/8, 27,
75, 76, 91; 206/387; 211/40, 41, 42; D13/182

DESCRIPTION

FIG. 1 is a front elevational view of a wafer boat or rack showing my new design;

FIG. 2 is a rear elevational view thereof;

FIG. 3 is a right side elevational view thereof, the left side elevational view being a mirror image and, therefore, not being shown;

FIG. 4 is a top view thereof;

FIG. 5 is a bottom view thereof;

FIG. 6 is a longitudinal sectional view on section 6—6 in FIG. 1;

FIG. 7 is a transverse sectional view on section 7—7 in FIG. 1;

FIG. 8 is an enlarged view of a portion of FIG. 7.

[56] References Cited

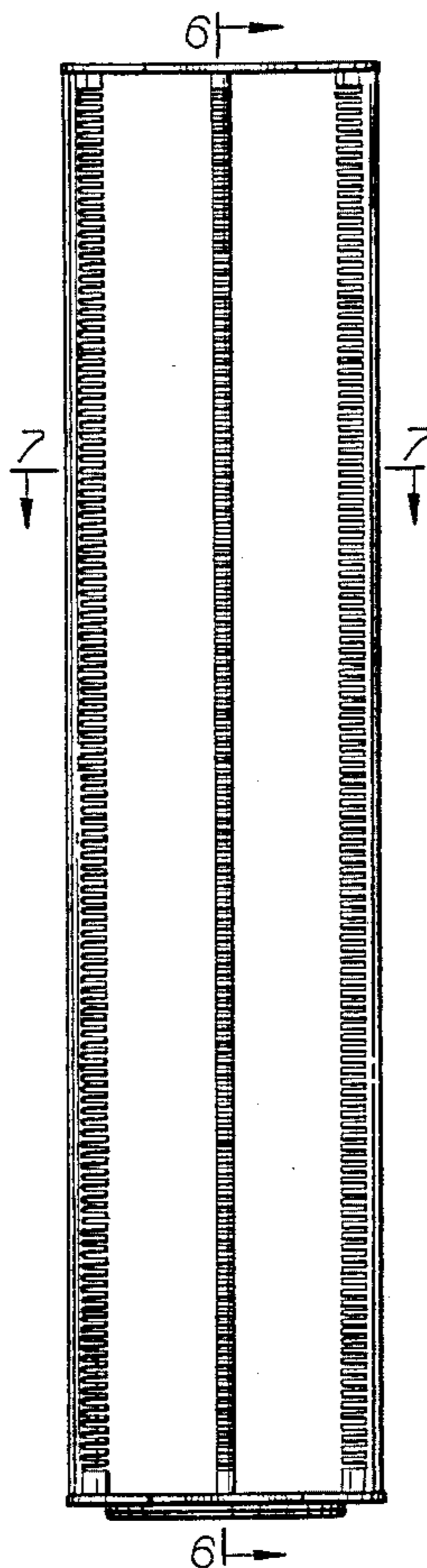
U.S. PATENT DOCUMENTS

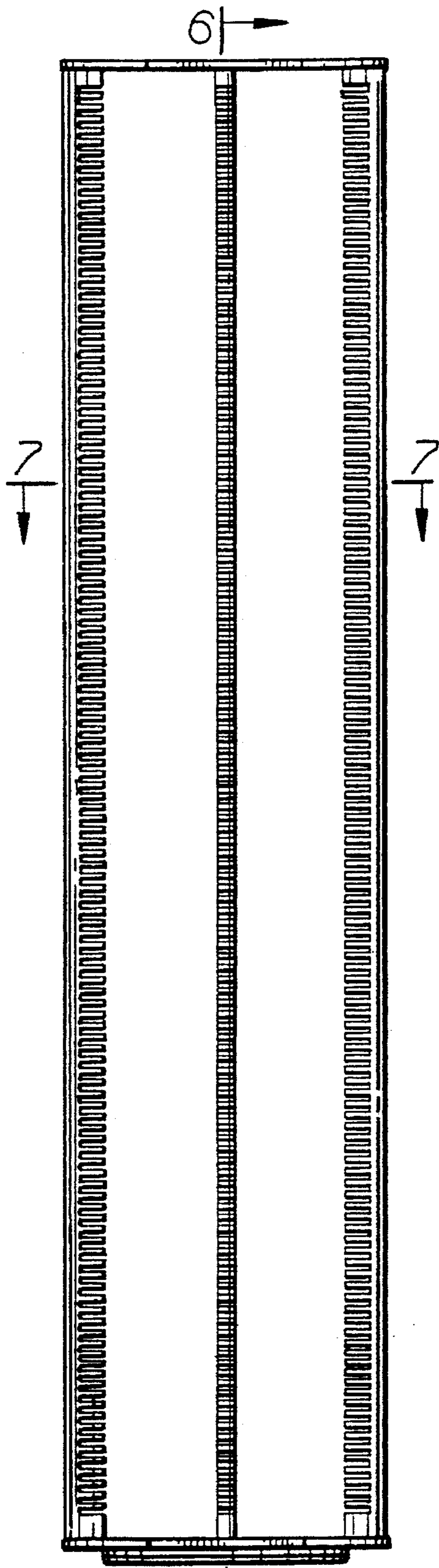
D. 291,413	8/1987	Uehara et al.	D6/468
4,355,974	10/1982	Lee	432/253
4,515,104	5/1985	Lee	432/253 X
4,572,101	2/1986	Lee	206/328 X

FOREIGN PATENT DOCUMENTS

403295227	12/1991	Japan	414/935
-----------	---------	-------------	---------

1 Claim, 3 Drawing Sheets





6

FIG. 1

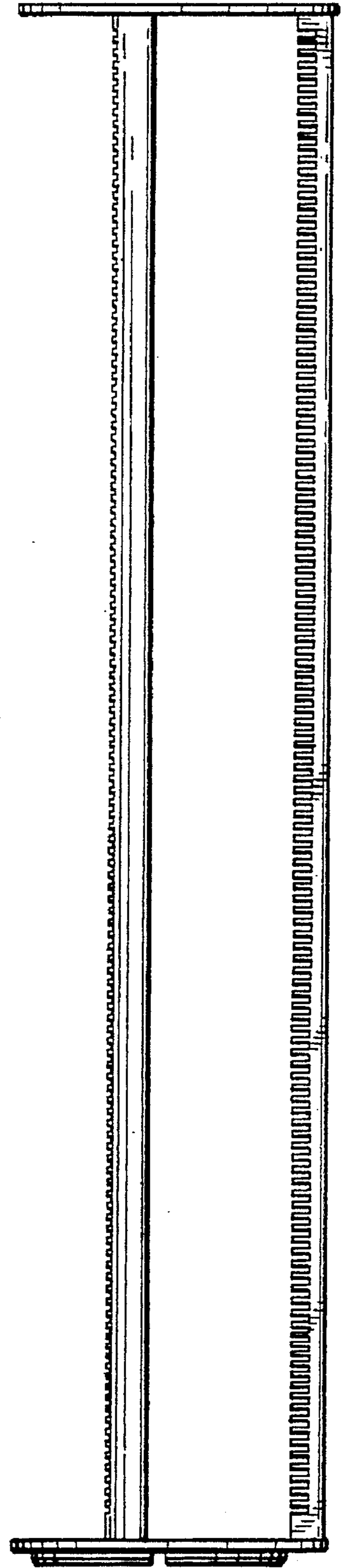


FIG. 3

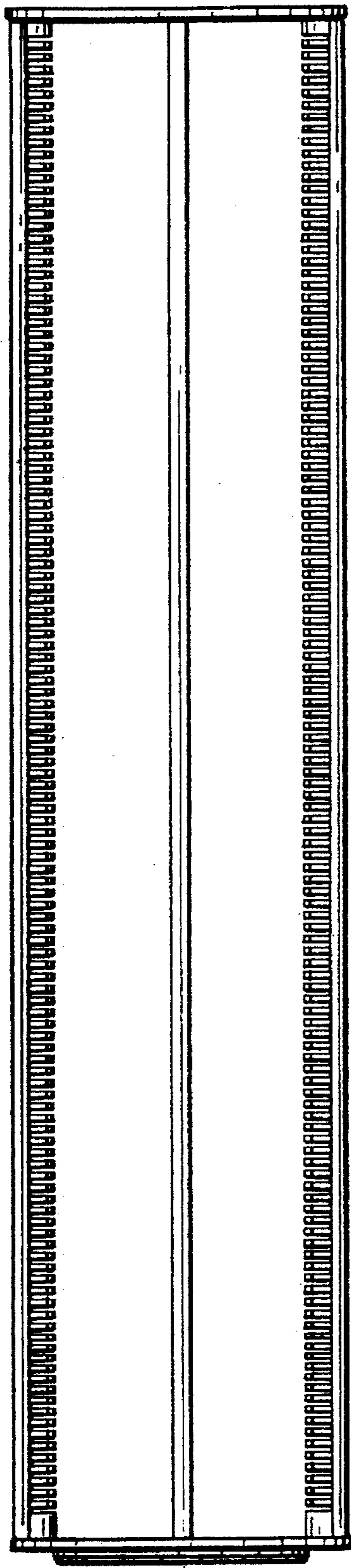


FIG. 2

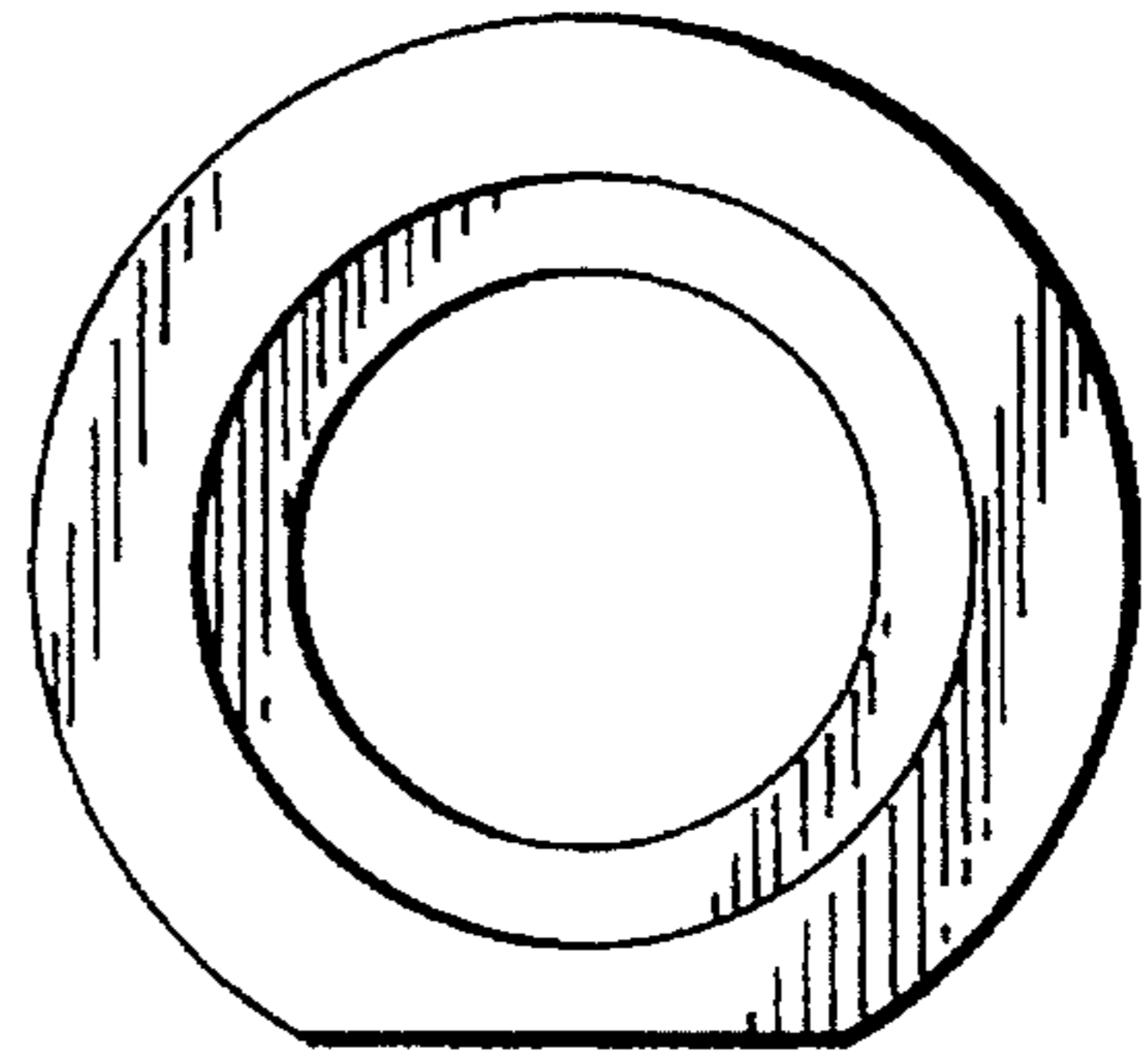


FIG. 4

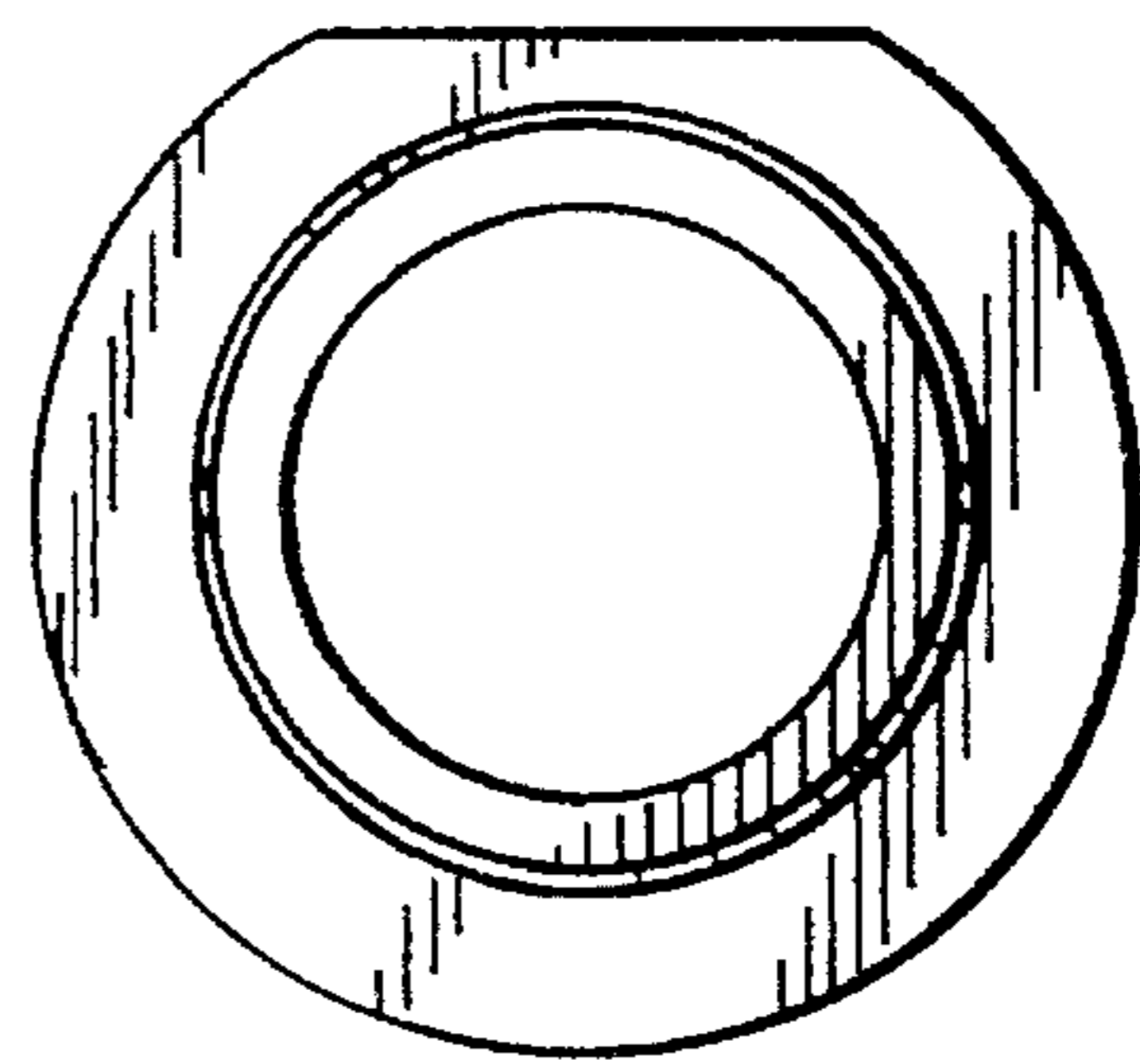


FIG. 5

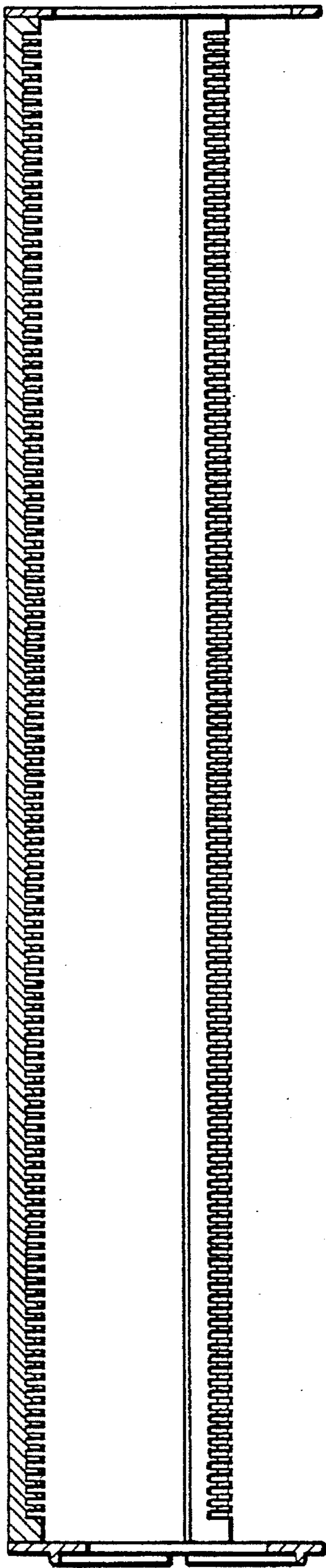


FIG. 6

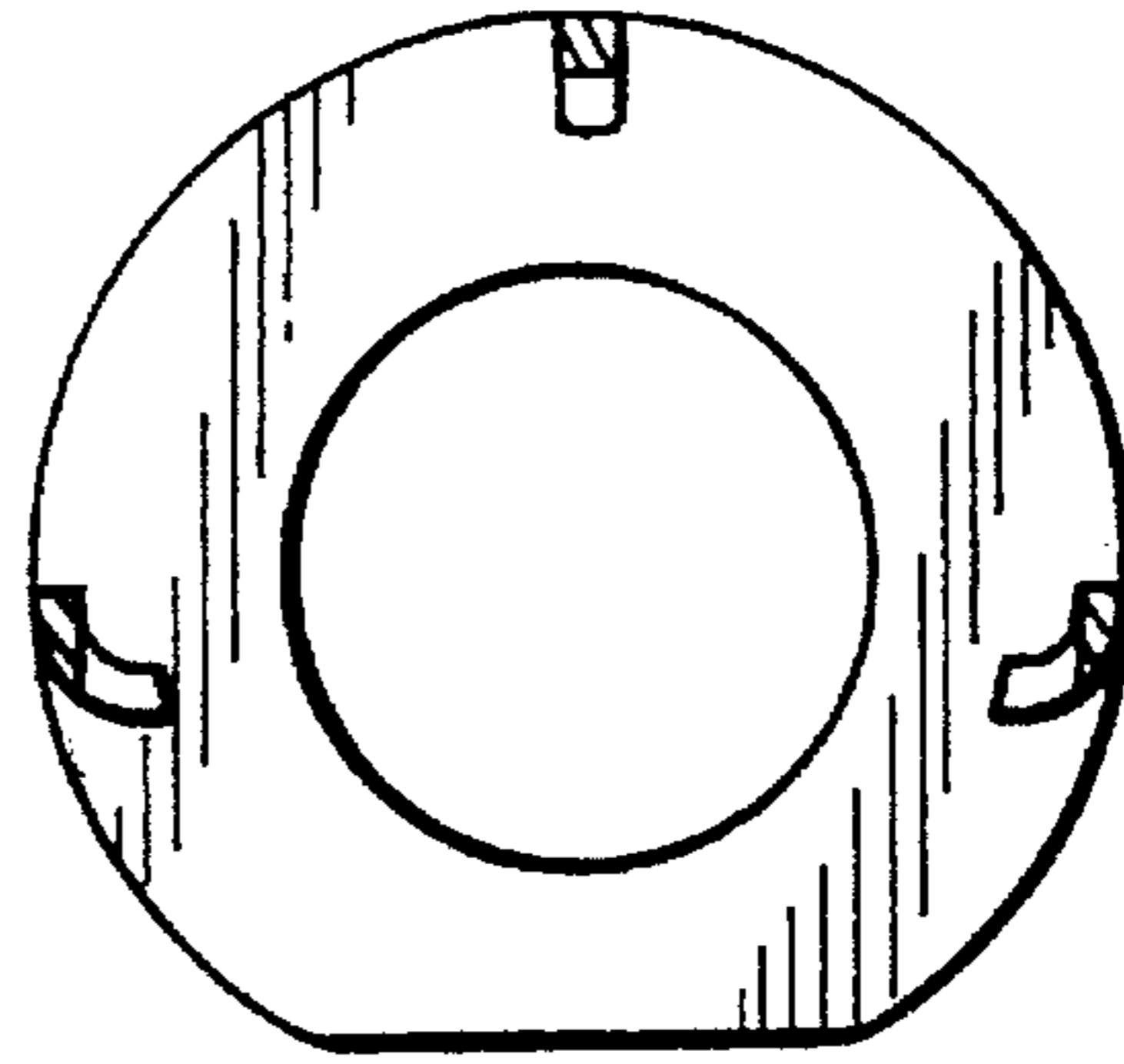


FIG. 7

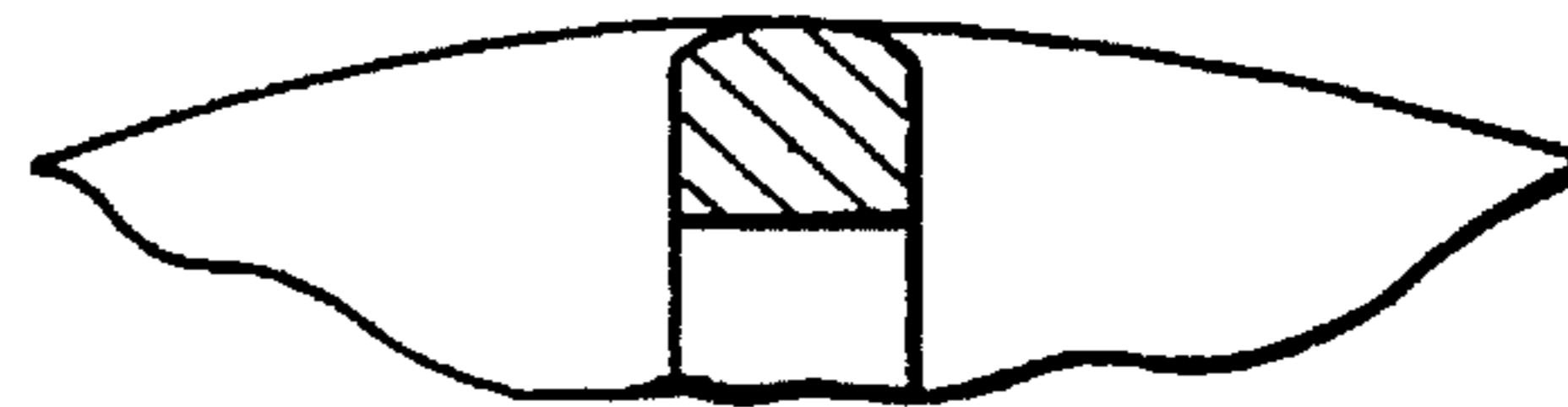


FIG. 8