



US00D366867S

United States Patent [19]

Kurokawa et al.

[11] Patent Number: **Des. 366,867**

[45] Date of Patent: ***** Feb. 6, 1996**

[54] SERVOMOTOR DRIVE CONTROLLER

[75] Inventors: **Junichi Kurokawa; Takeshi Majima; Katsuyoshi Nakano; Hiromichi Kawashima**, all of Ise, Japan

[73] Assignee: **Shinko Electric Co., Ltd.**, Tokyo, Japan

[*] Notice: The portion of the term of this patent subsequent to Jan. 16, 2010, has been disclaimed.

[**] Term: **14 Years**

[21] Appl. No.: **33,127**

[22] Filed: **Jan. 5, 1995**

[30] Foreign Application Priority Data

Jul. 7, 1994 [JP] Japan 6-20216

[52] U.S. Cl. **D13/162**

[58] Field of Search D13/162, 164, D13/184; D14/100, 107, 114; 361/686, 687, 703, 725

[56] References Cited

U.S. PATENT DOCUMENTS

D. 342,238	12/1993	Tedham et al.	D14/100
D. 342,724	12/1993	Yurkonis et al.	D14/100
5,119,497	6/1992	Freige et al.	D13/162 X
5,267,122	11/1993	Glover et al.	361/703 X
5,343,361	8/1994	Rudy, Jr. et al.	361/725 X

OTHER PUBLICATIONS

SECO® vector AC motor drive on p. 33 of *Design News* Jun 17, 1991.

Reliance motor drive on p. 86 of *Design News* Jun. 17, 1991. Logic controllers on p. 21 of *Control Engineering*. Dec. 1989.

SLO-SYN® Programmable motion controllers on p. 25 of *Design News* Jun. 12, 1993.

Primary Examiner—Joel Sincavage
Attorney, Agent, or Firm—Scully, Scott, Murphy & Presser

[57] CLAIM

The ornamental design for a servomotor drive controller, as shown and described.

DESCRIPTION

FIG. 1 is a perspective view of a servomotor drive controller showing our new design;
 FIG. 2 is a front elevation view thereof, showing the article which is 7.5 cm wide, 17.5 cm deep, and 19 cm high;
 FIG. 3 is a rear elevation view thereof;
 FIG. 4 is a top plan view thereof;
 FIG. 5 is a bottom view thereof;
 FIG. 6 is a right side elevation view thereof;
 FIG. 7 is a left side elevation view thereof;
 FIG. 8 is a cross-sectional view taken along line 8—8 in FIG. 4; and,
 FIG. 9 is a cross-sectional view taken along line 9—9 in FIG. 4.

1 Claim, 7 Drawing Sheets

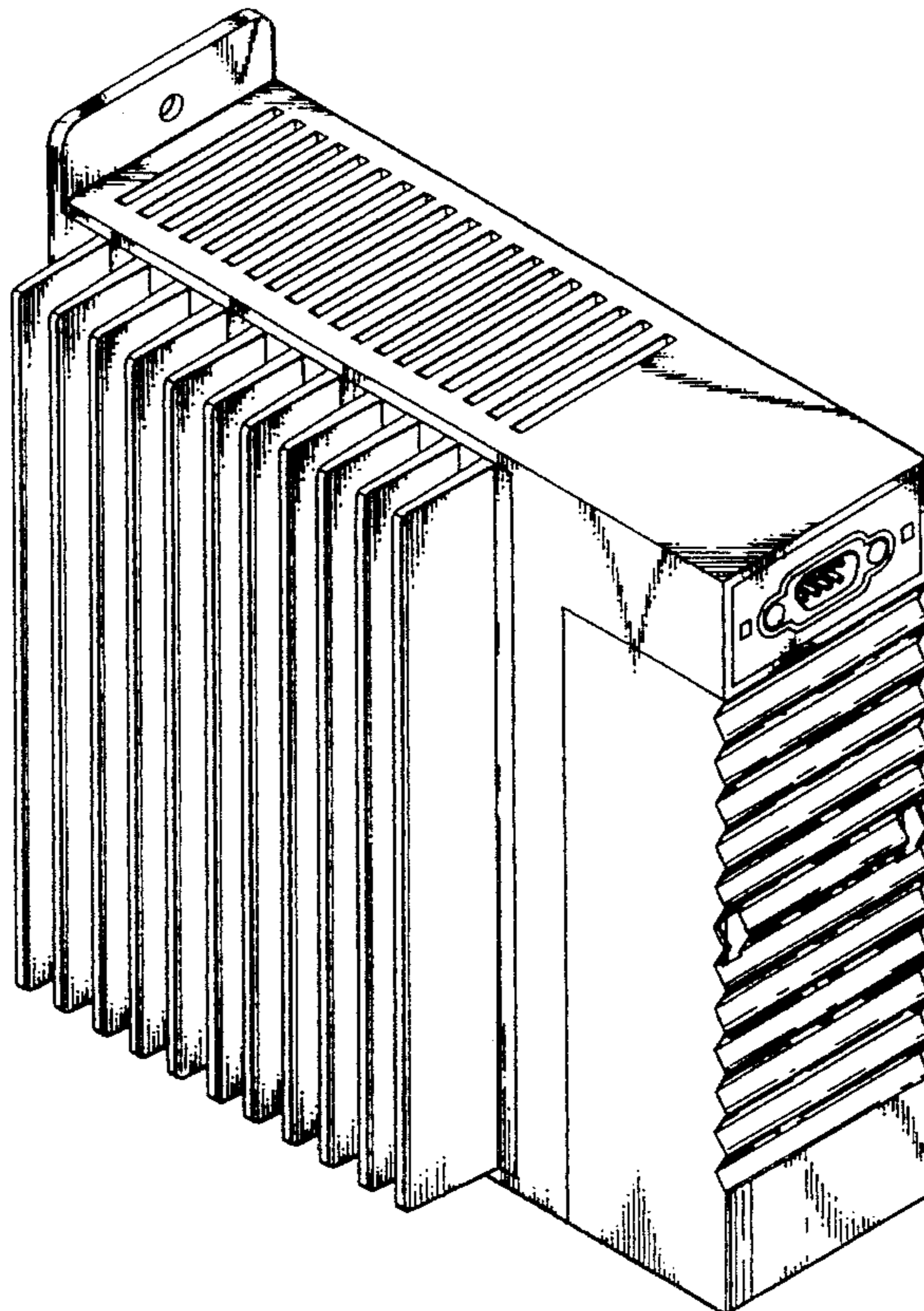


FIG. 1

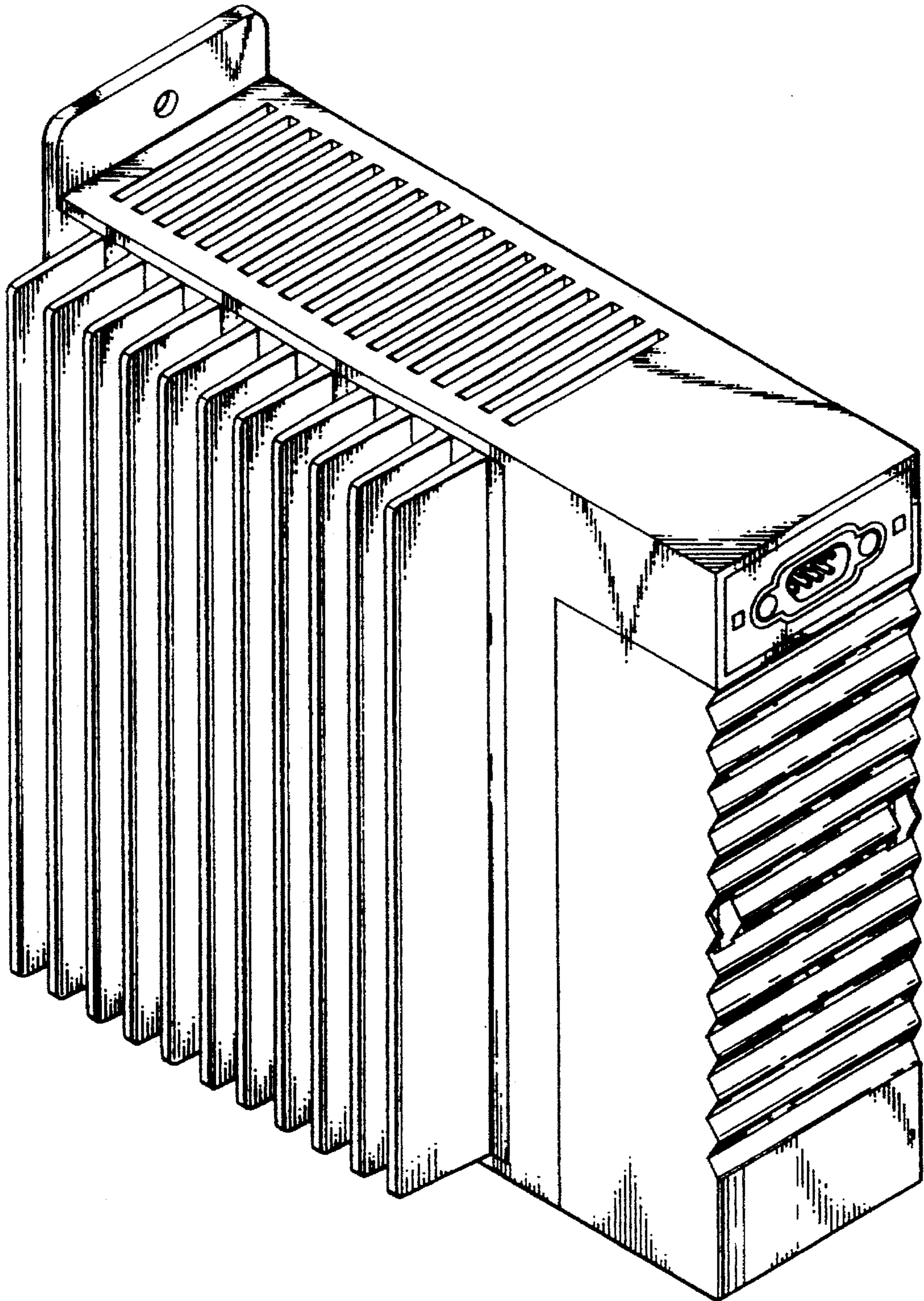


FIG.2

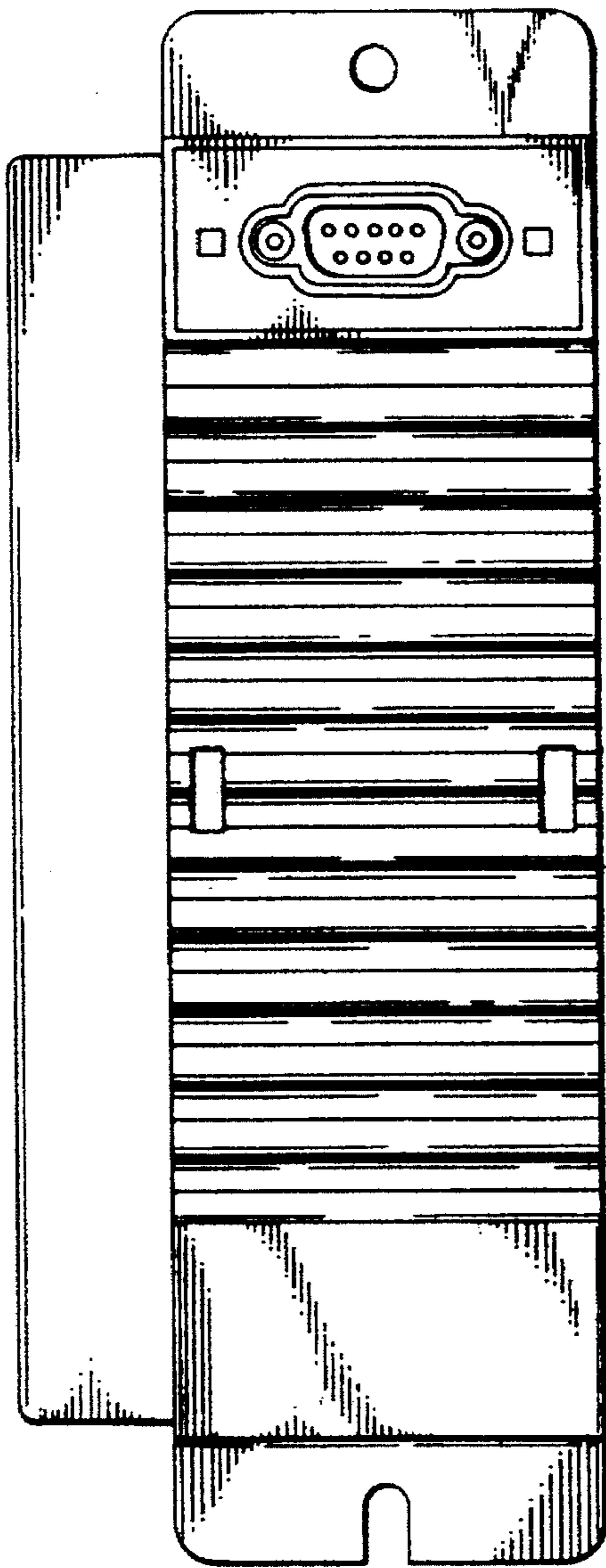


FIG.3

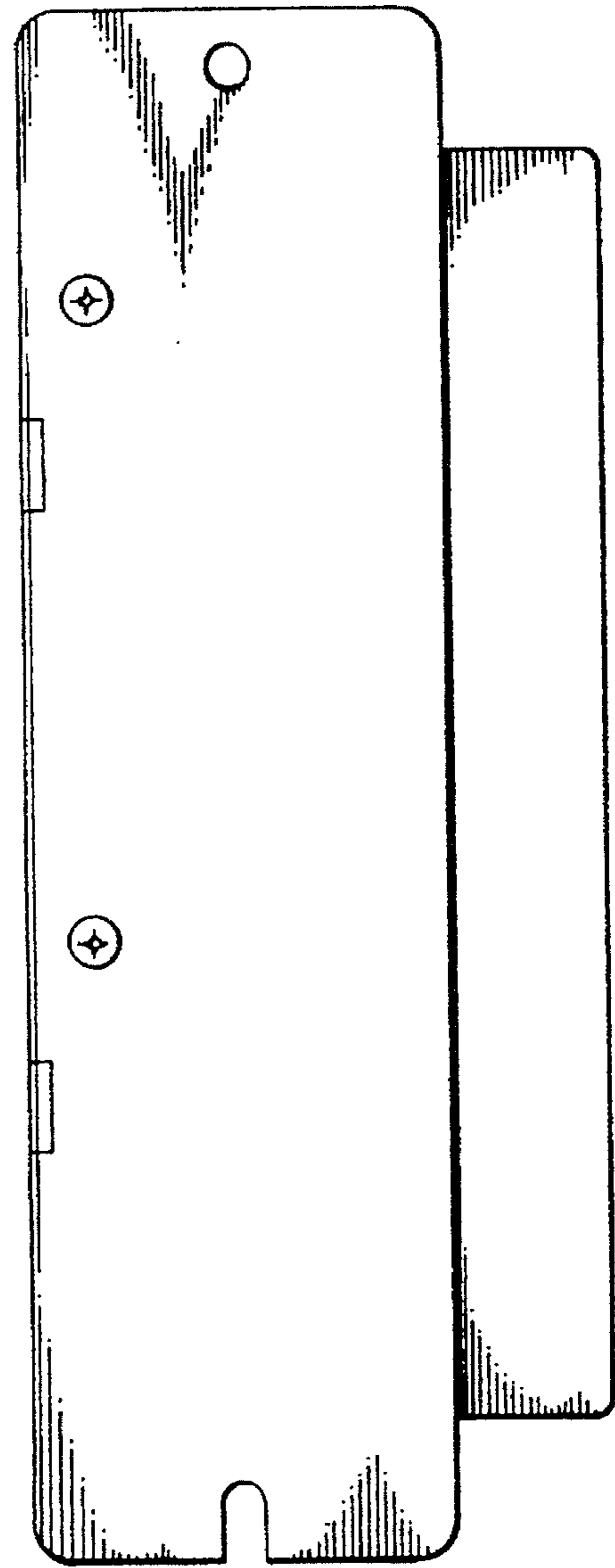


FIG.4

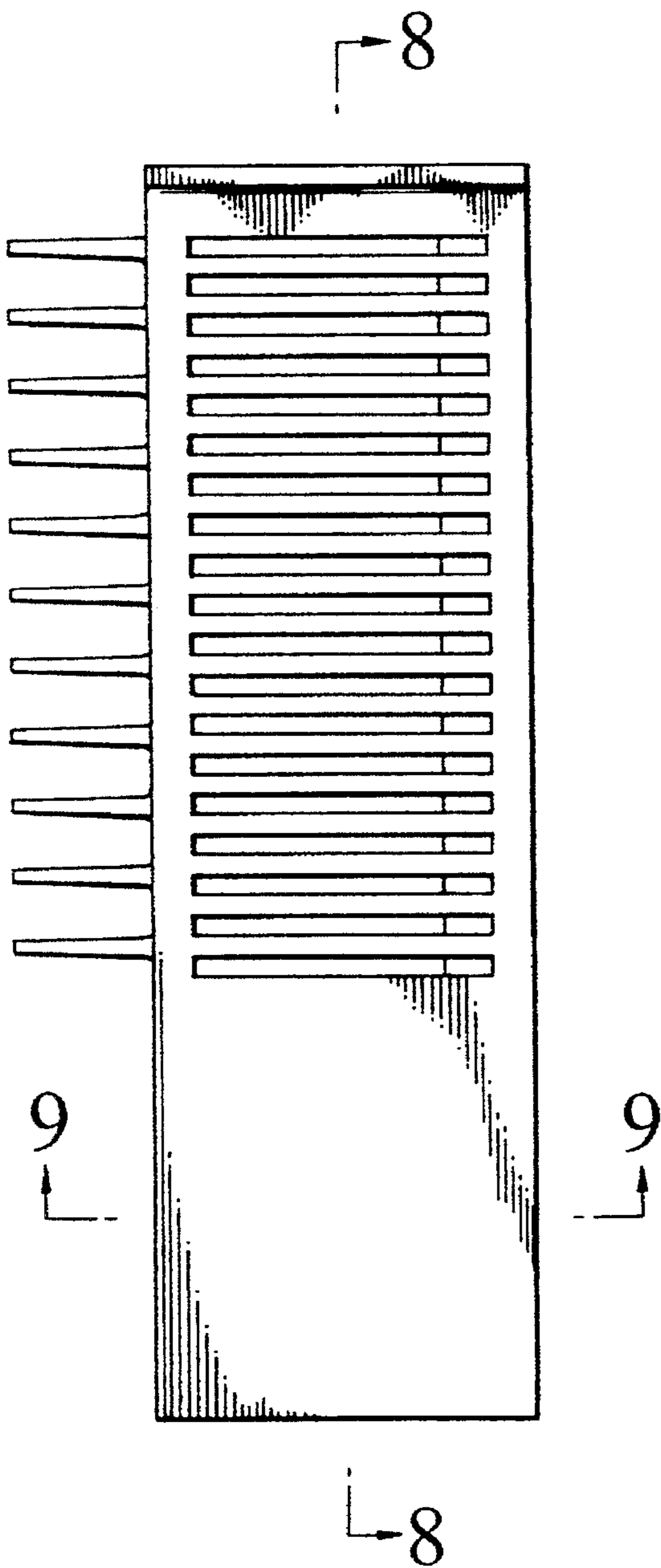


FIG.5

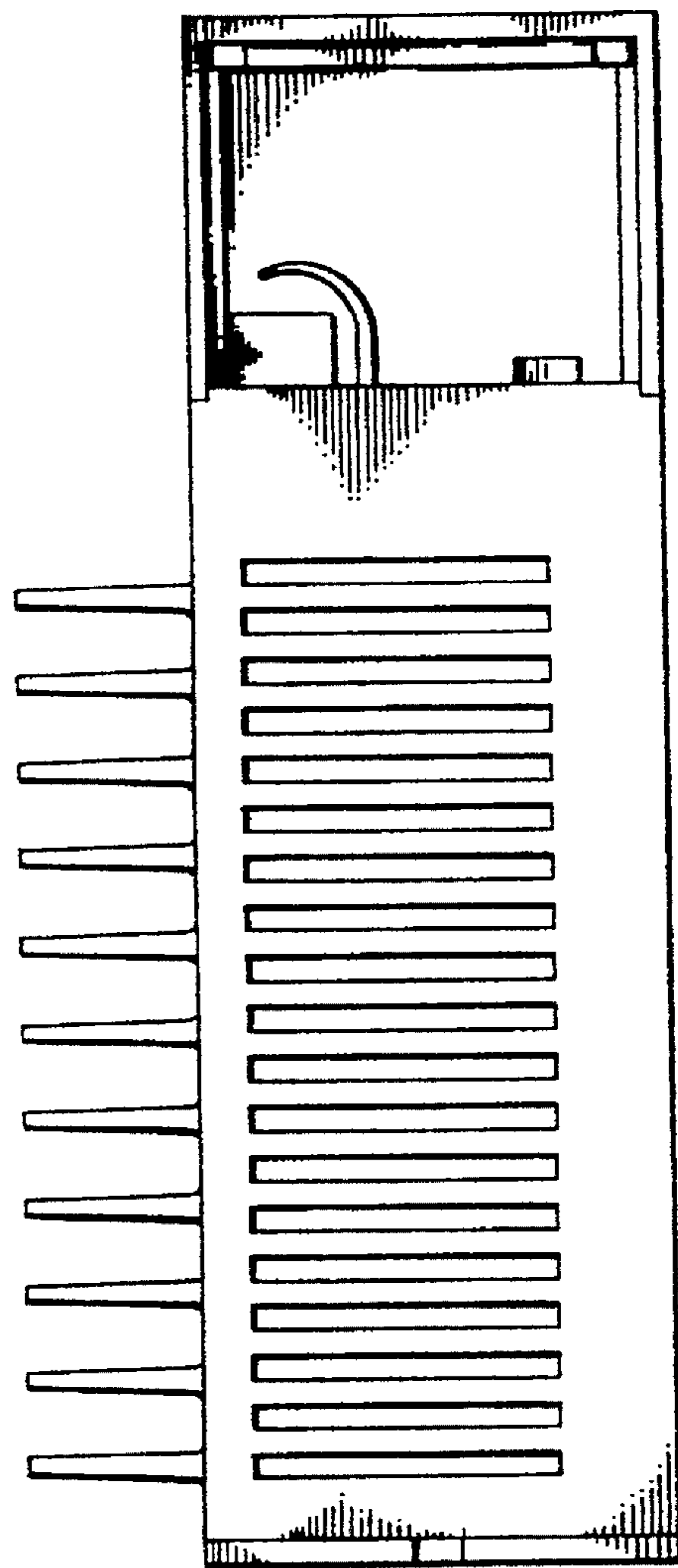


FIG.6

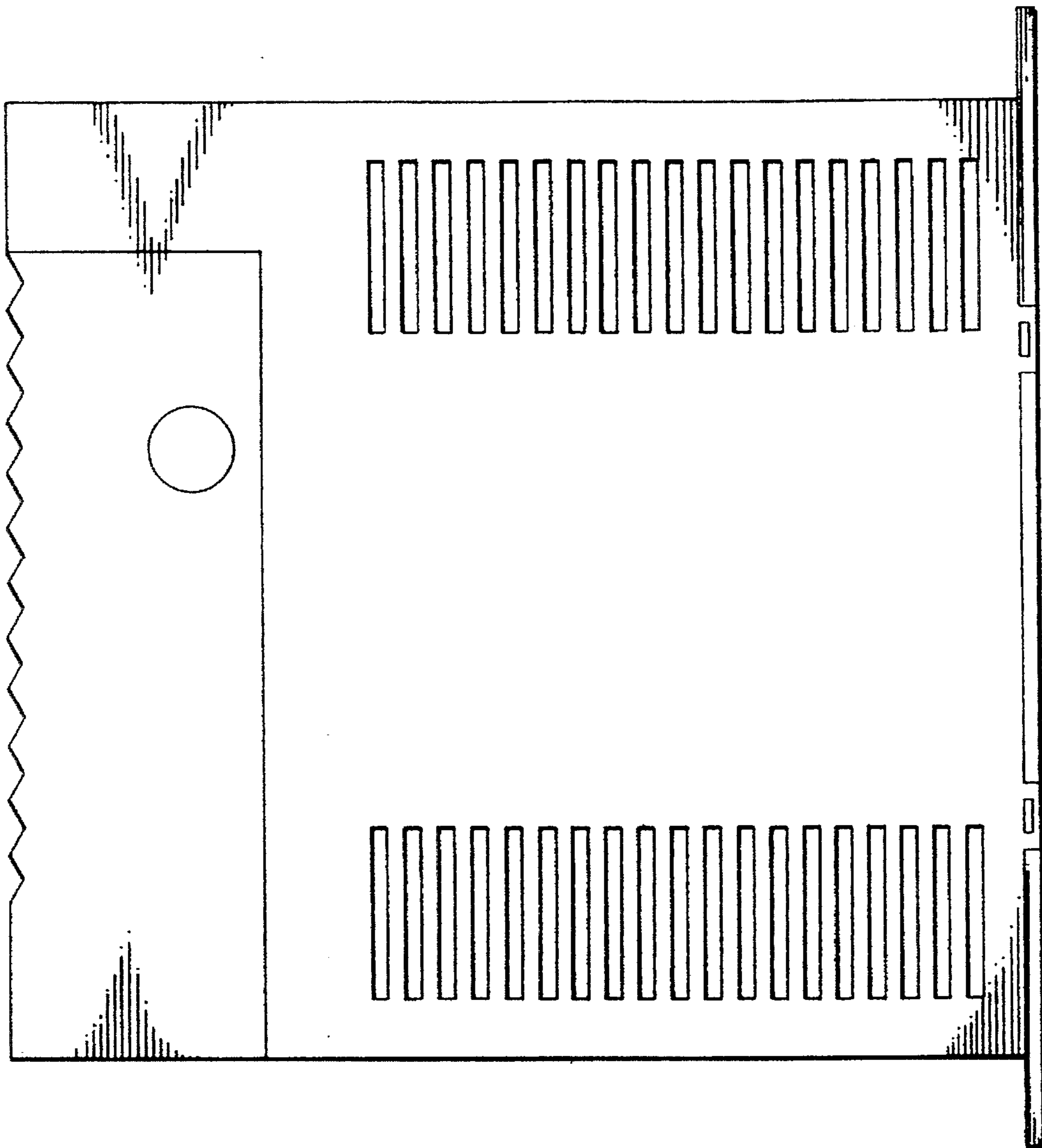


FIG. 7

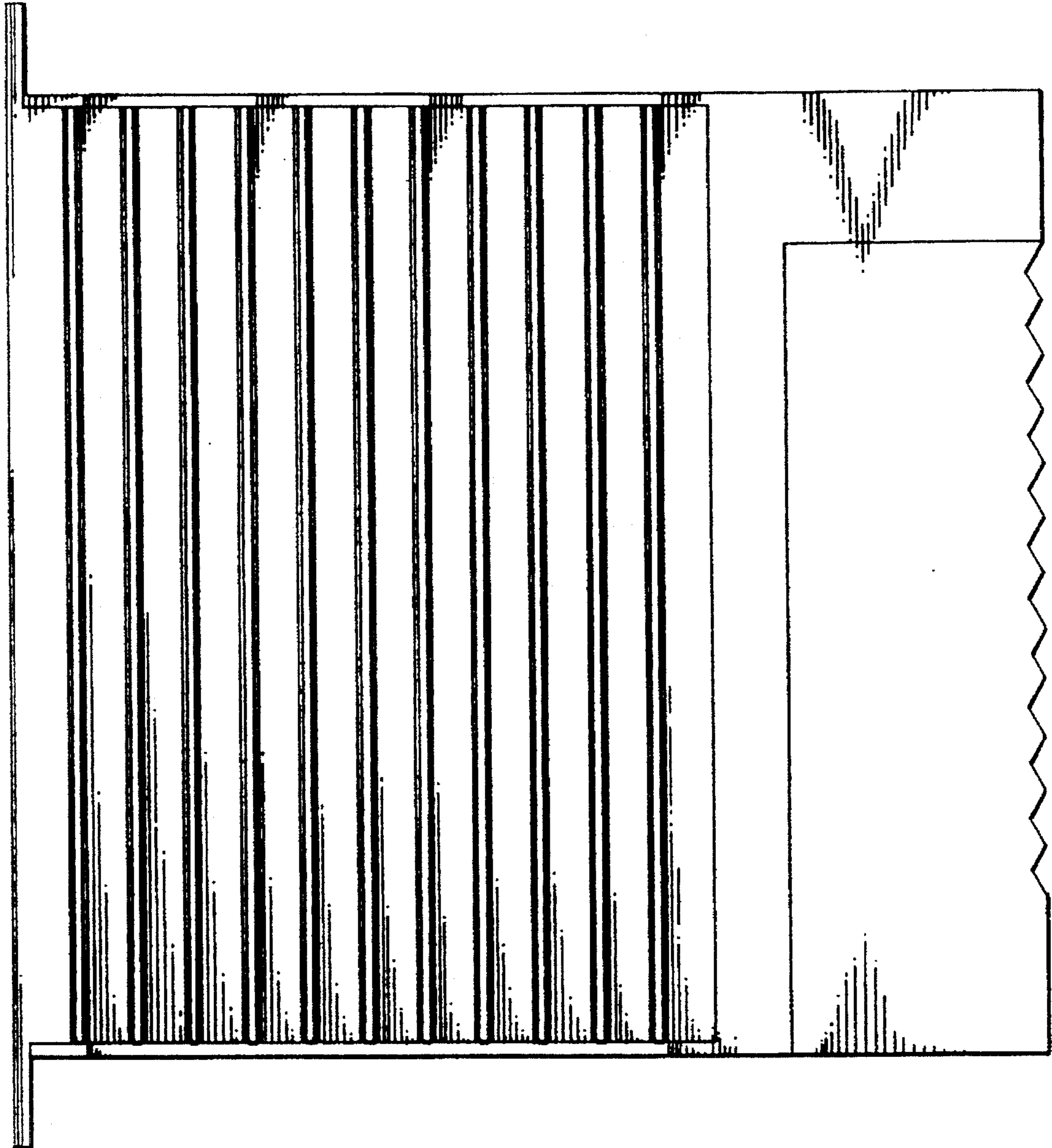


FIG.8

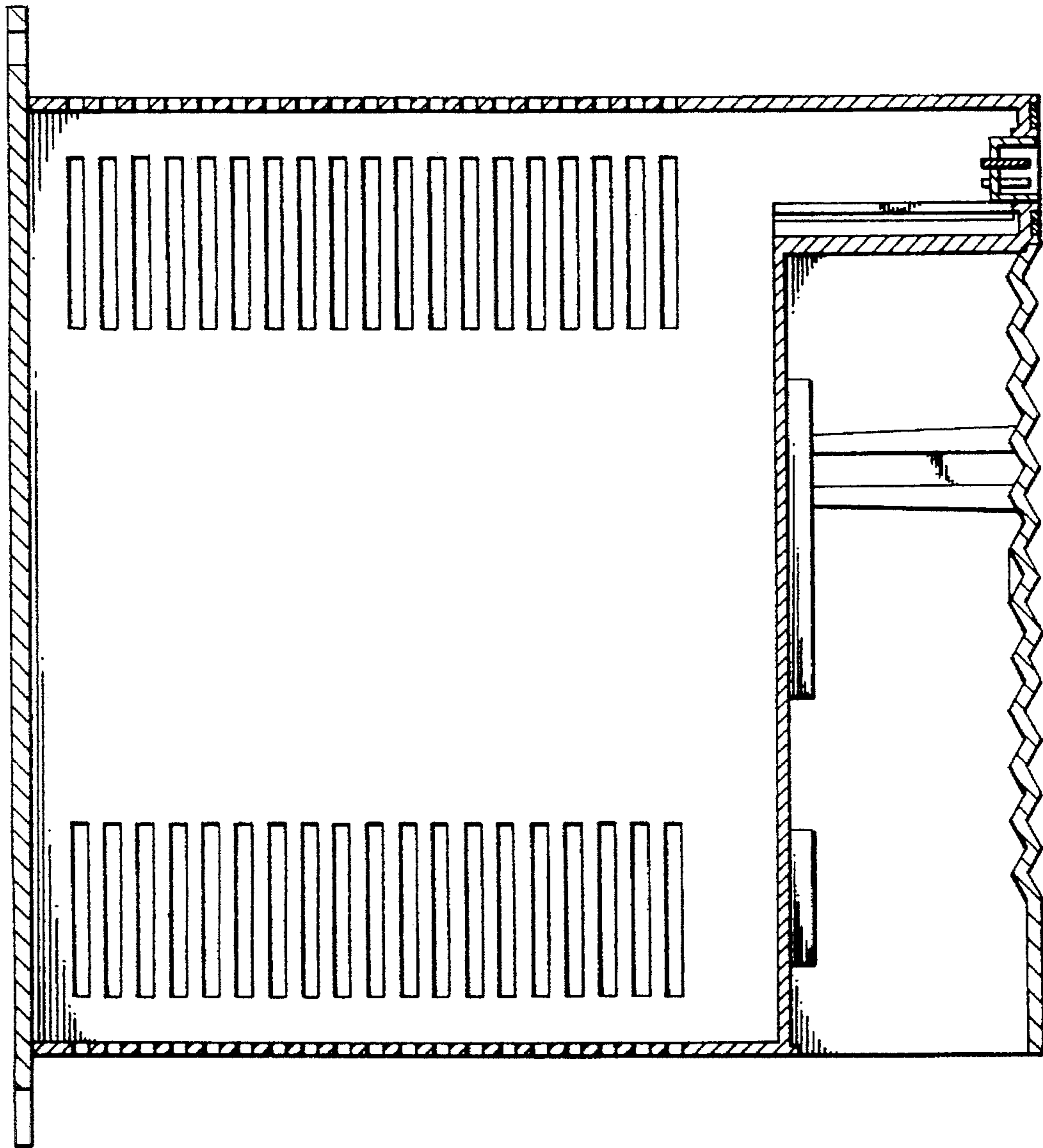


FIG. 9

