



US00D366864S

**United States Patent** [19]  
**Lee**

[11] **Patent Number:** **Des. 366,864**  
[45] **Date of Patent:** **\*\*Feb. 6, 1996**

[54] **DUAL TURBINE-SHAPED CONNECTOR**

[75] Inventor: **Noel Lee**, Daly City, Calif.

[73] Assignee: **Monster Cable International, Ltd.**,  
Hamilton, Bermuda

[\*\*] Term: **14 Years**

[21] Appl. No.: **39,194**

[22] Filed: **May 18, 1995**

[52] U.S. Cl. .... **D13/133**

[58] Field of Search ..... D13/133; 439/578,  
439/583, 584, 668, 669, 675, 751, 825

[56] **References Cited**

**U.S. PATENT DOCUMENTS**

D. 323,643	2/1992	Lee	.....	D13/133
D. 325,023	3/1992	Lee et al.	.....	D13/133
D. 328,280	7/1992	Lee	.....	D13/133
D. 329,223	9/1992	Lee	.....	D13/133
3,001,169	9/1961	Blonder	.....	439/583 X

3,314,044	4/1967	Powell	.....	439/851
3,641,483	2/1972	Bonhomme	.....	439/851
4,707,050	11/1987	Kannemann	.....	439/851 X
4,810,214	3/1989	Yohn	.....	439/851 X
4,932,897	6/1990	Lee et al.	.....	439/578

*Primary Examiner*—Joel Sincavage  
*Attorney, Agent, or Firm*—Haynes and Boone

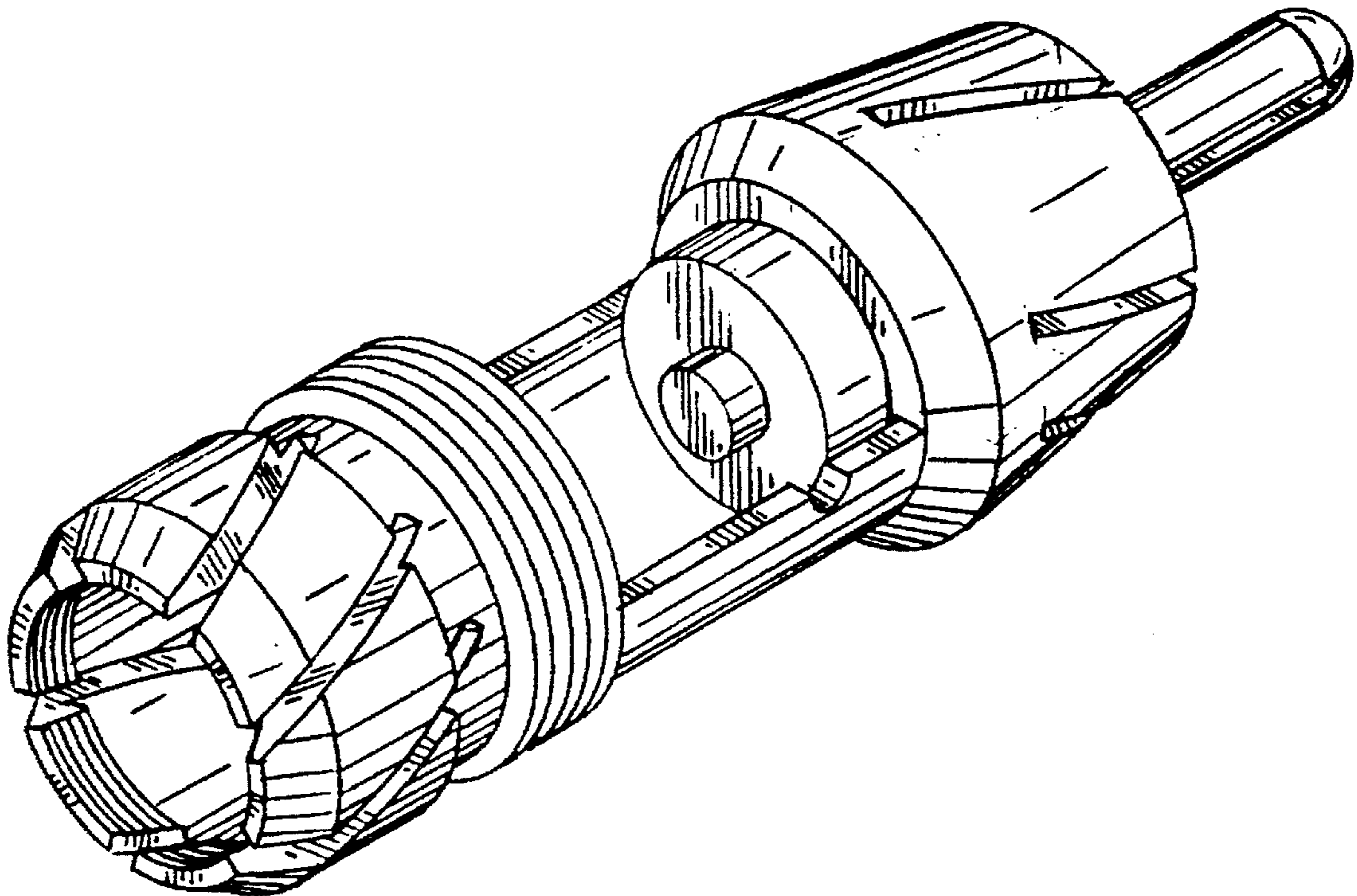
[57] **CLAIM**

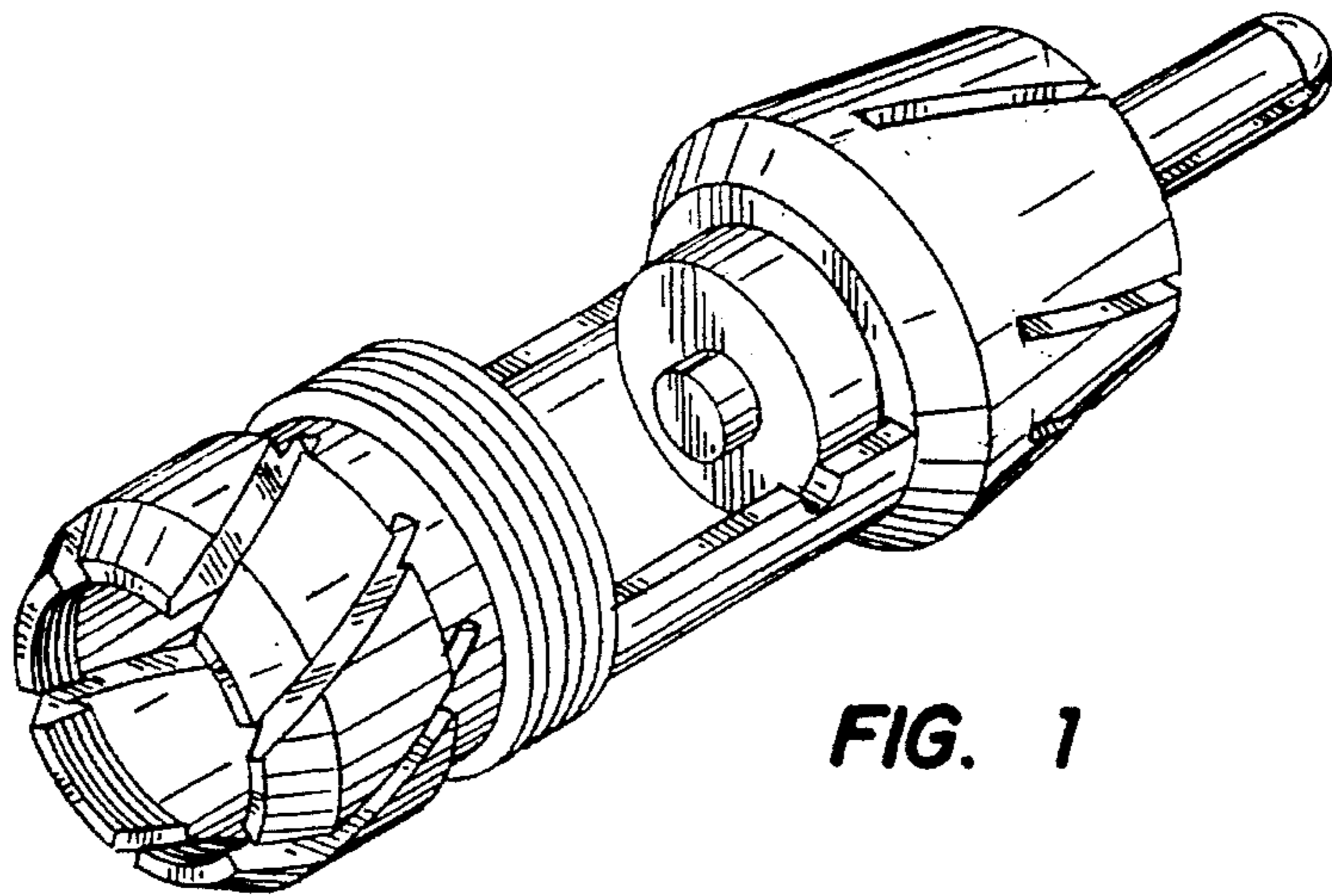
The ornamental design for the dual turbine-shaped connector, as shown and described.

**DESCRIPTION**

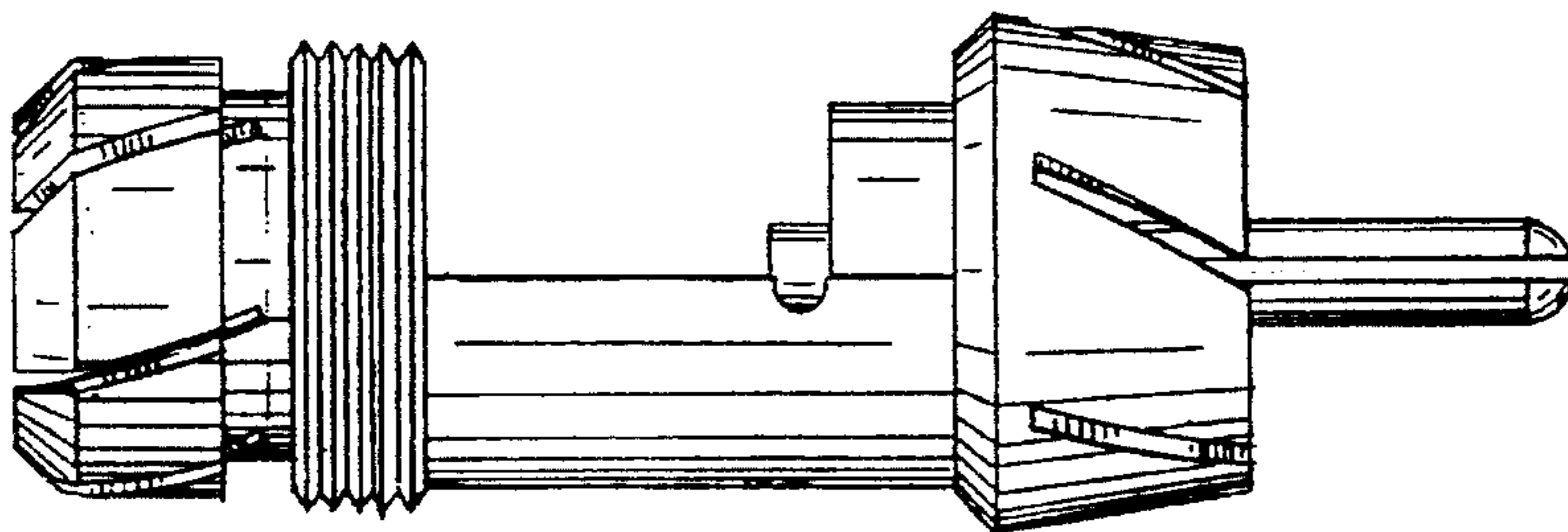
FIG. 1 is a perspective view of the dual turbine-shaped connector showing my new design; FIG. 2 is a side elevational view thereof; FIG. 3 is a front view thereof; FIG. 4 is a rear view thereof; FIG. 5 is a top plan view thereof; and, FIG. 6 is a bottom plan view thereof.

**1 Claim, 1 Drawing Sheet**

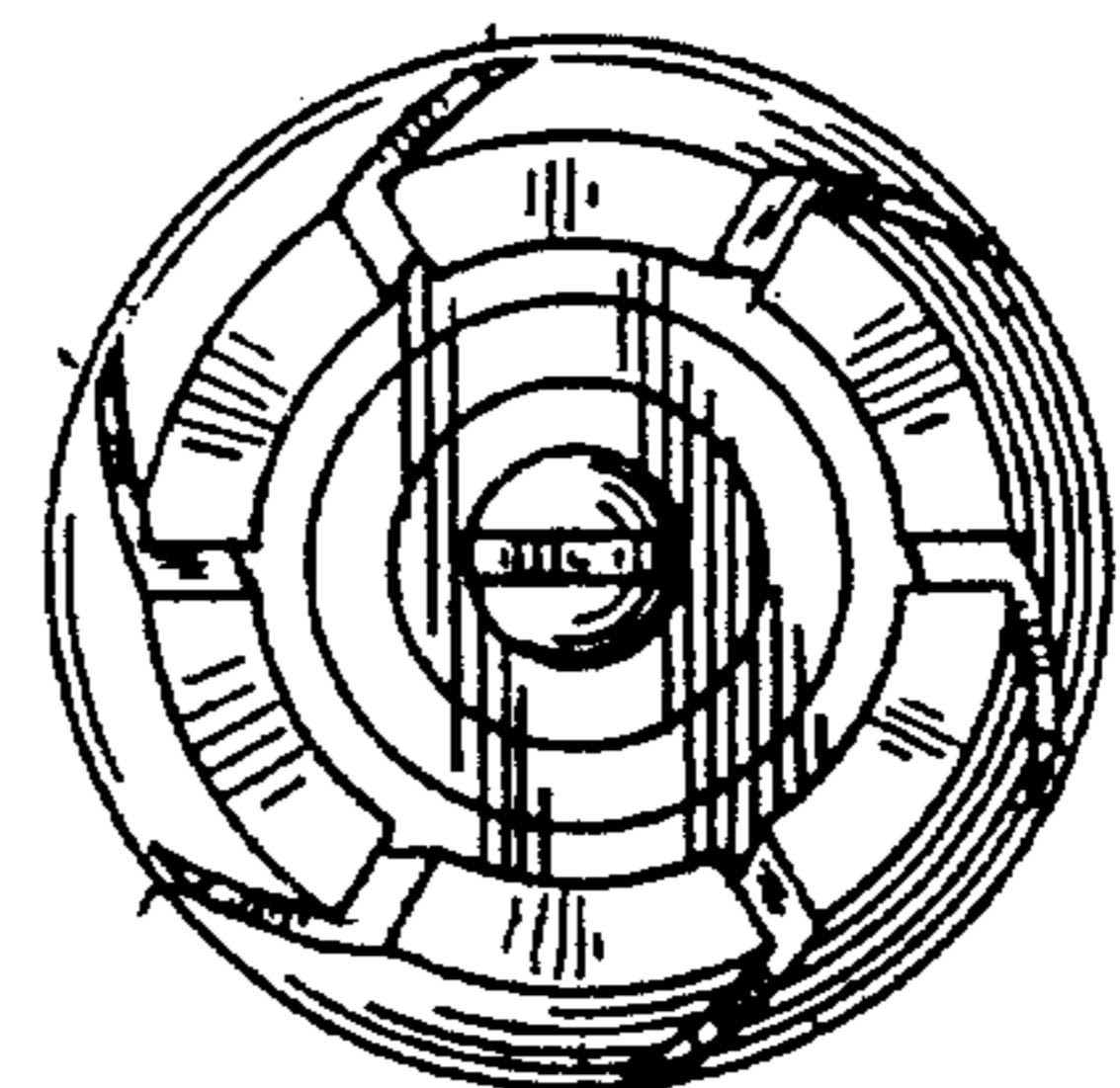




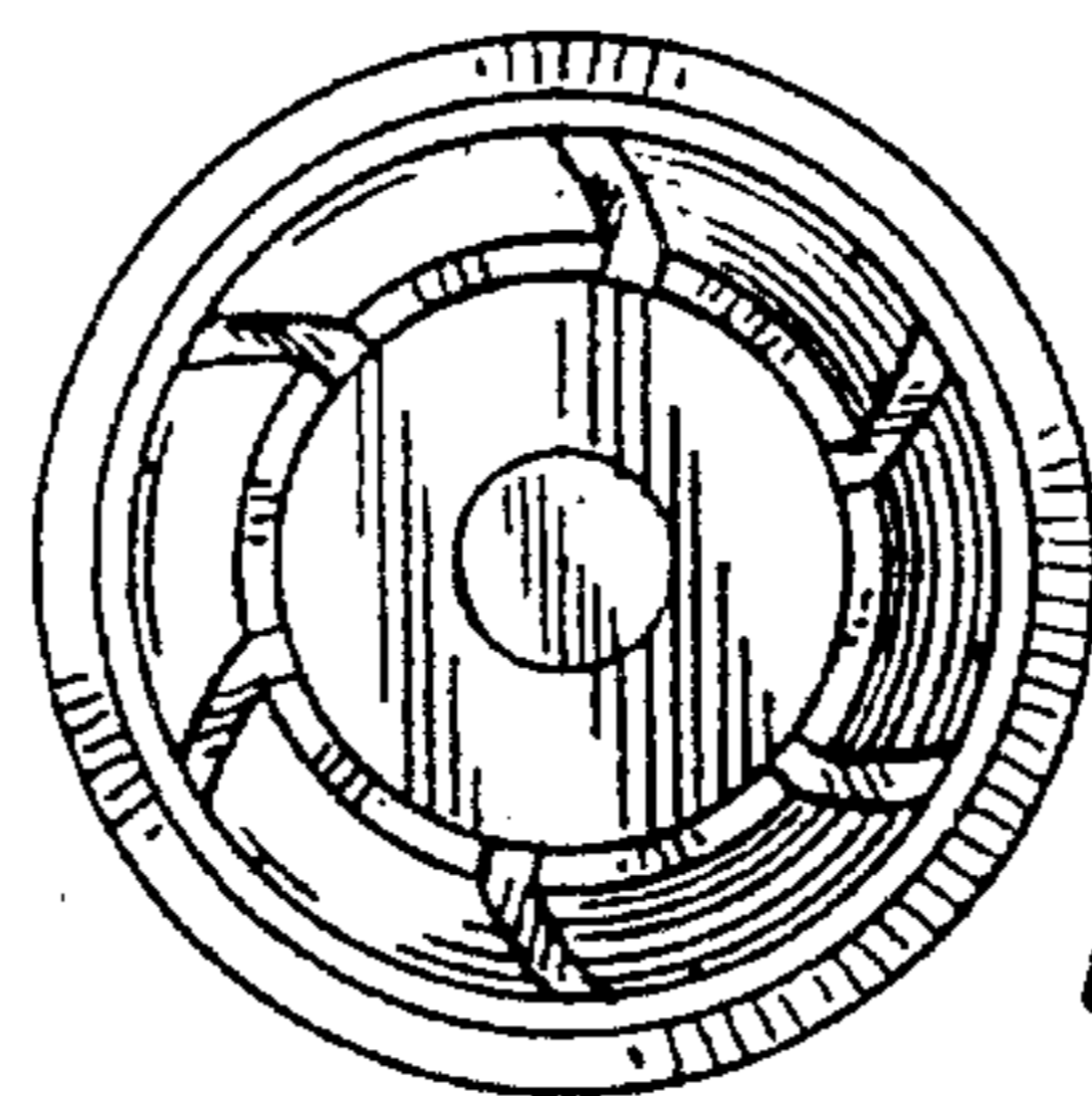
**FIG. 1**



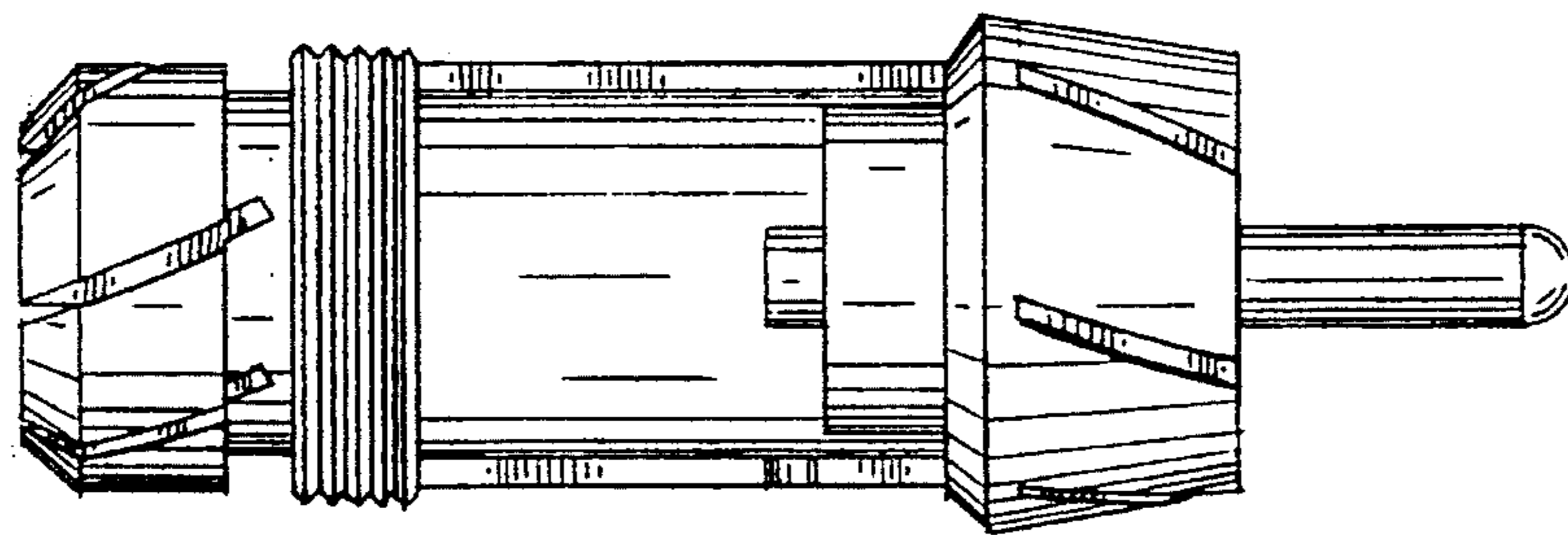
**FIG. 2**



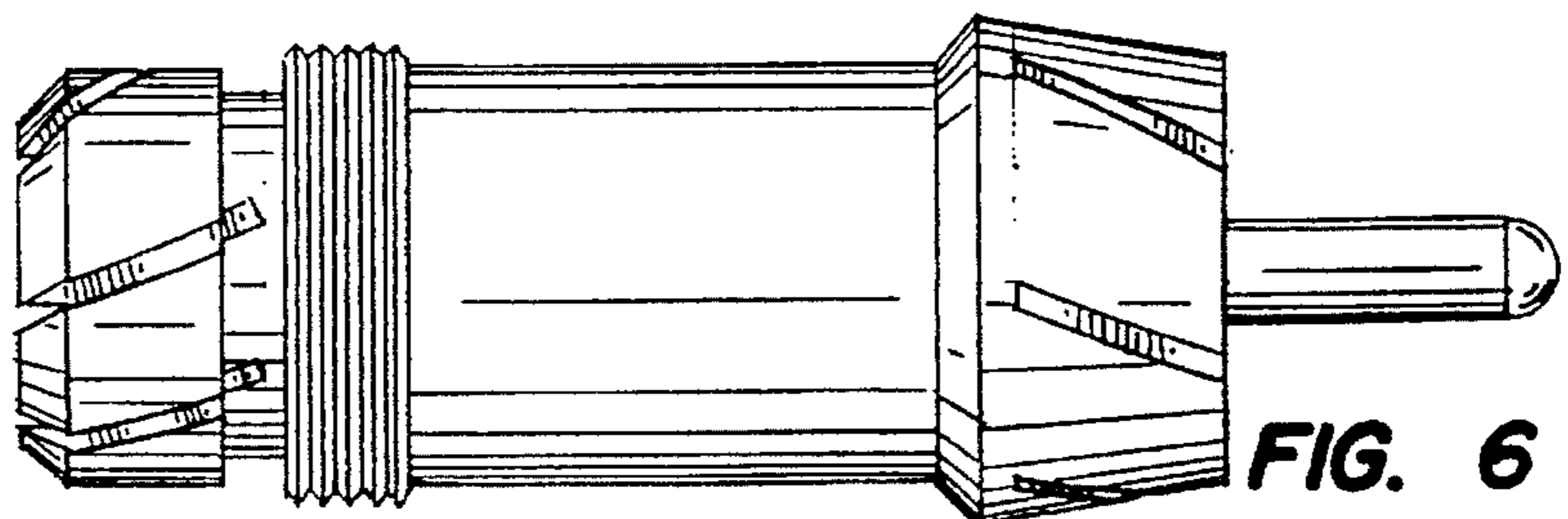
**FIG. 3**



**FIG. 4**



**FIG. 5**



**FIG. 6**