



US00D366862S

United States Patent [19]
Lee

[11] **Patent Number: Des. 366,862**
[45] **Date of Patent: **Feb. 6, 1996**

[54] **CABLE CONNECTOR**
[75] Inventor: **Noel Lee**, Daly City, Calif.
[73] Assignee: **Monster Cable International, Ltd.**,
Bermuda
[**] Term: **14 Years**

D. 328,280 7/1992 Lee D13/133
D. 329,223 9/1992 Lee D13/133
4,270,832 6/1981 Tanabe 439/578 X
4,932,897 6/1990 Lee et al. 439/578
4,995,836 2/1991 Toramoto 439/578 X

Primary Examiner—Joel Sincavage
Attorney, Agent, or Firm—Haynes and Boone

[21] Appl. No.: **32,619**
[22] Filed: **Dec. 22, 1994**
[52] **U.S. Cl.** **D13/133**
[58] **Field of Search** D13/133; 439/352,
439/578, 583, 584, 668, 669, 675, 751,
825

[57] **CLAIM**
The ornamental design for the cable connector, as shown and described.

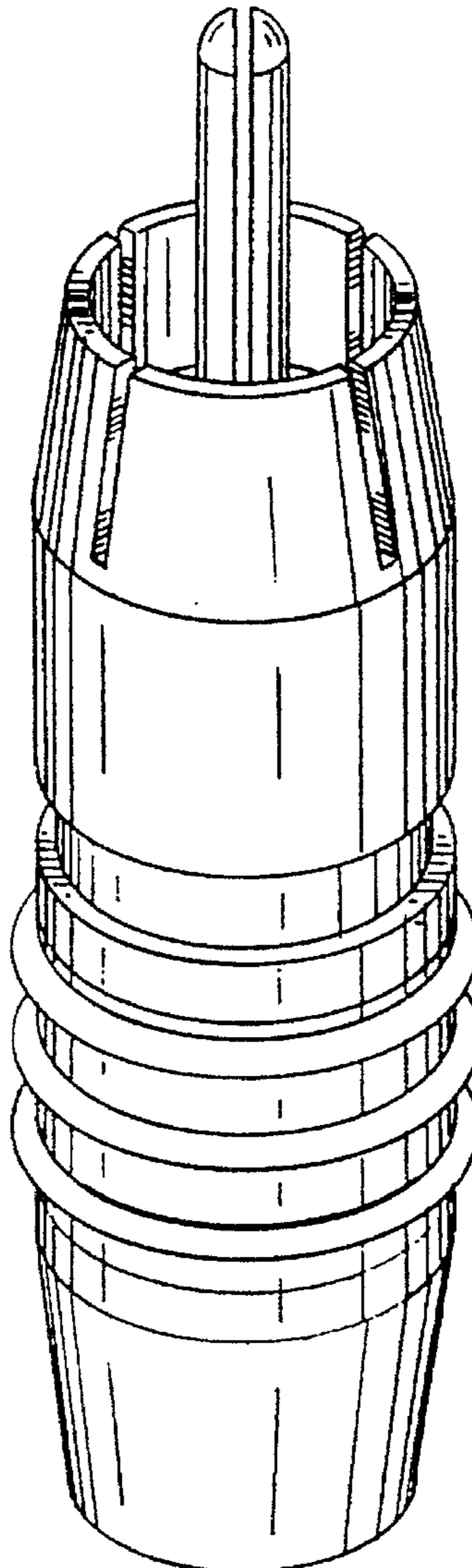
[56] **References Cited**
U.S. PATENT DOCUMENTS

D. 323,643 2/1992 Lee D13/133
D. 325,023 3/1992 Lee et al. D13/133

DESCRIPTION

FIG. 1 is a perspective view of the cable connector showing my new design;
FIG. 2 is a front elevational view thereof;
FIG. 3 is a top plan view thereof; and,
FIG. 4 is a bottom plan view thereof.

1 Claim, 1 Drawing Sheet



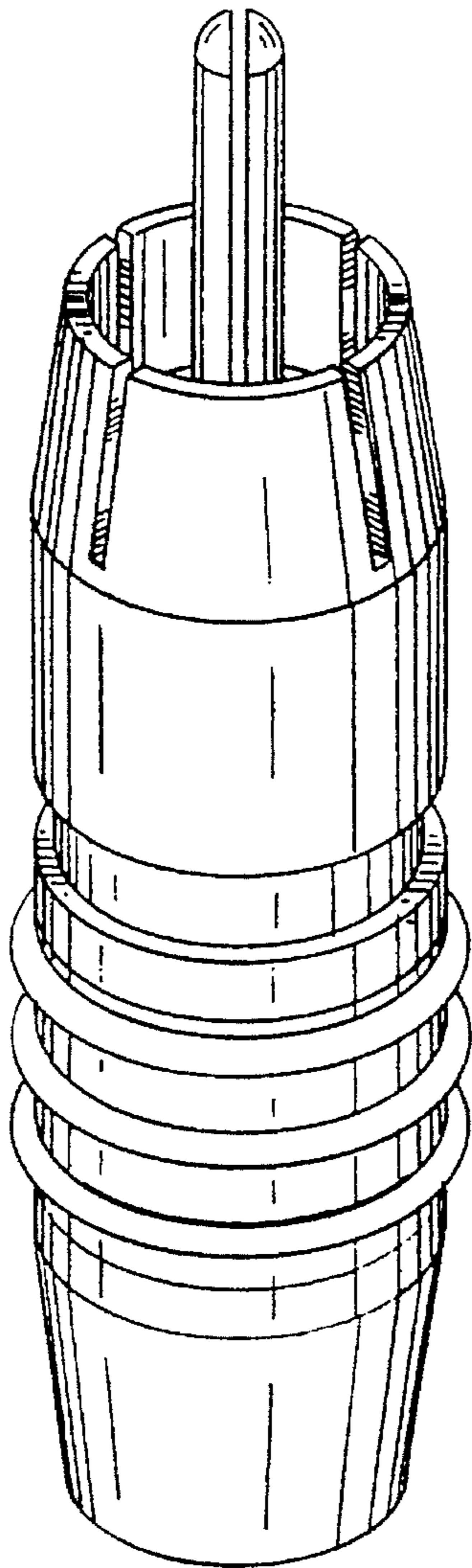


FIG. 1

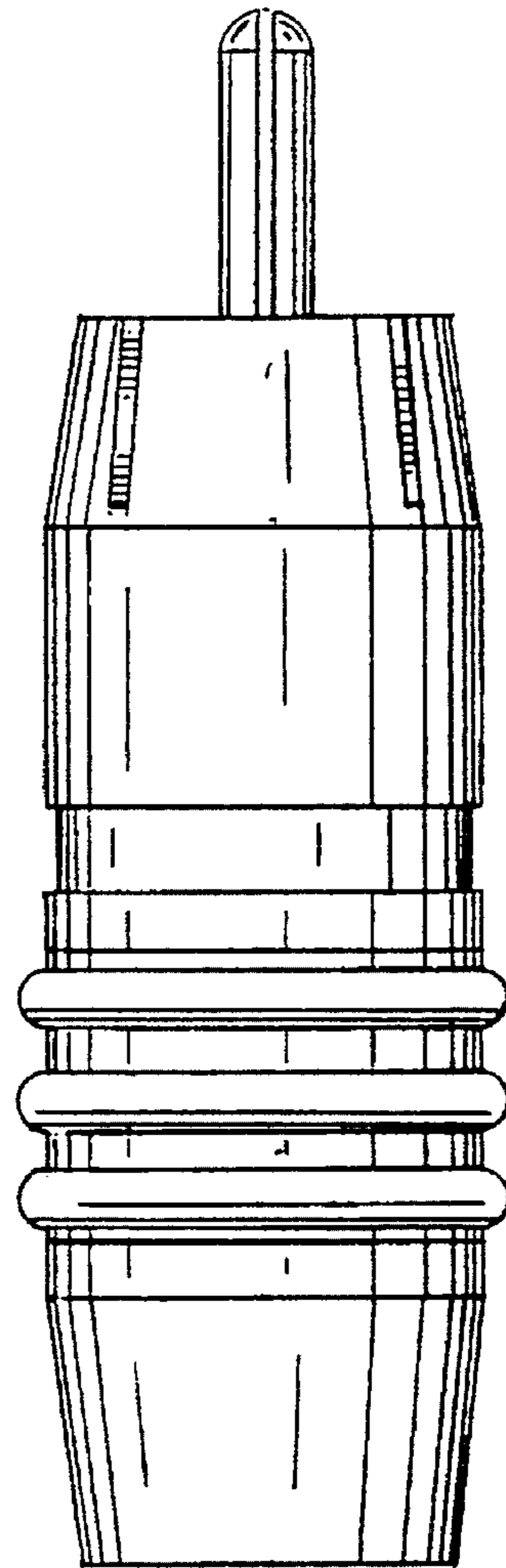


FIG. 2

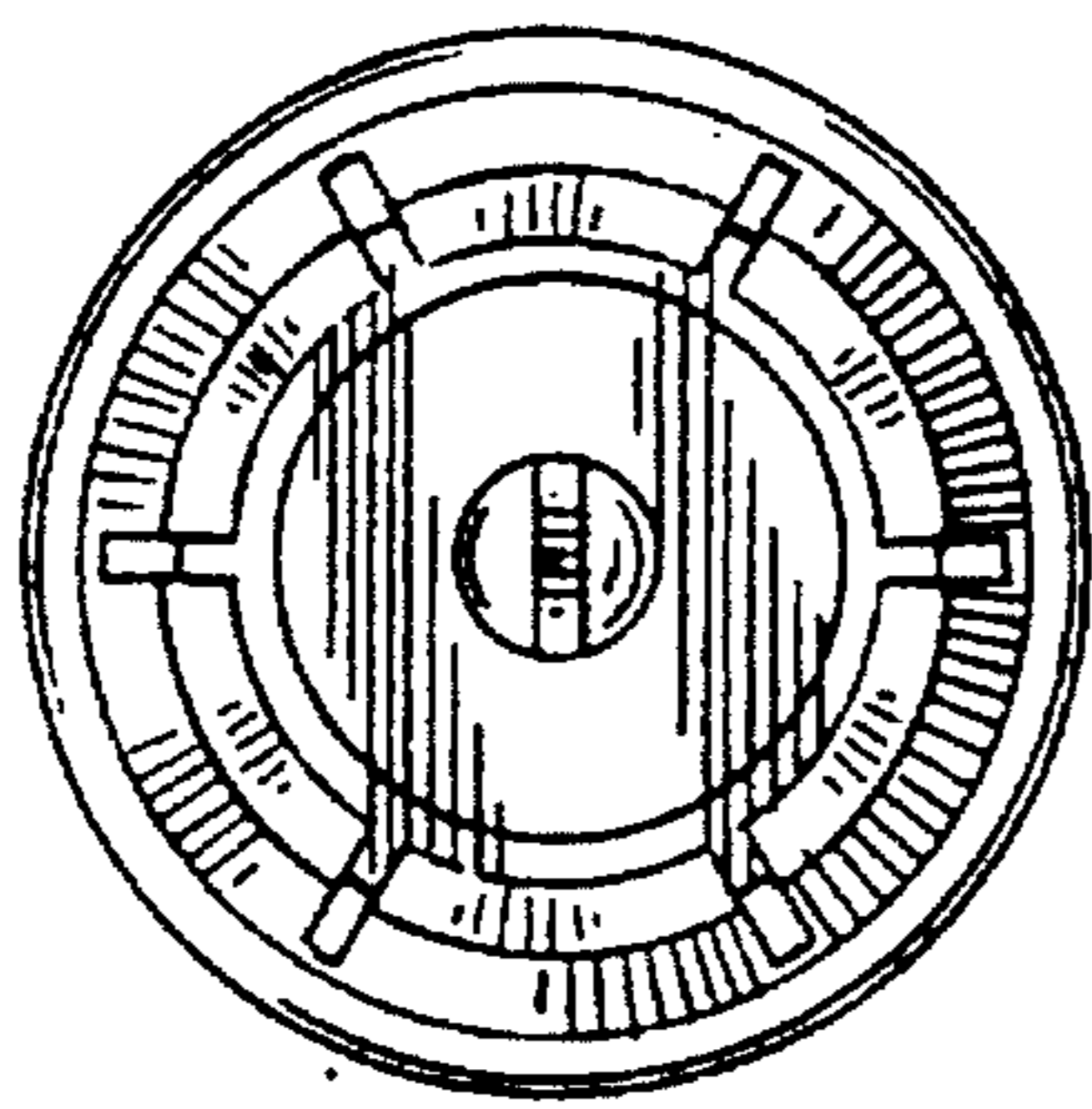


FIG. 3

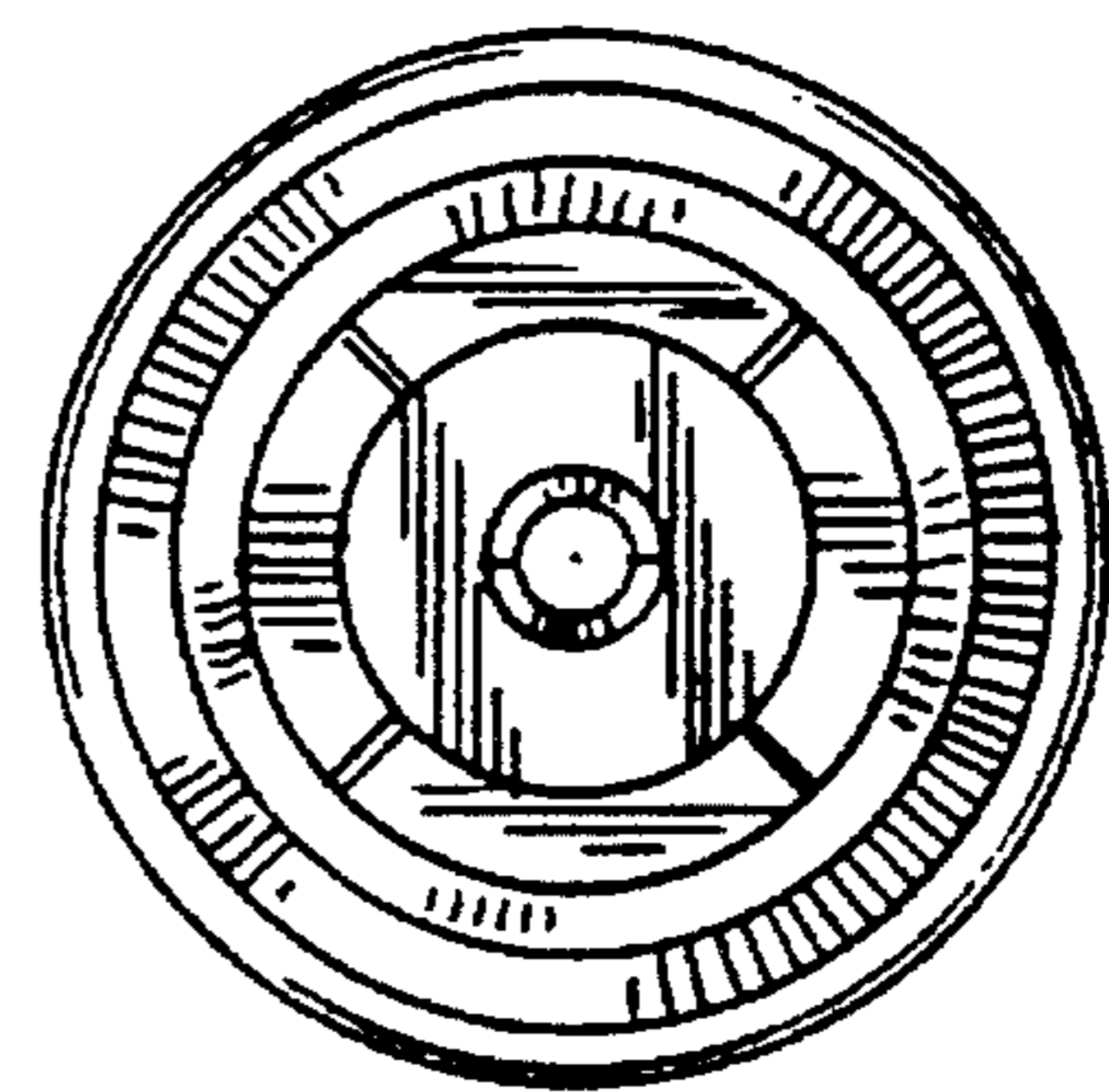


FIG. 4