



US00D366861S

# United States Patent [19] Sulkowski

[11] Patent Number: **Des. 366,861**  
[45] Date of Patent: **\*\*Feb. 6, 1996**

[54] **TIRE**  
[75] Inventor: **David J. Sulkowski**, Guilford, Conn.  
[73] Assignee: **Pirelli Armstrong Tire Corporation**,  
New Haven, Conn.  
[\*\*] Term: **14 Years**  
[21] Appl. No.: **25,115**  
[22] Filed: **Jun. 27, 1994**  
[52] U.S. Cl. .... **D12/147**  
[58] Field of Search ..... **D12/145-148;**  
**152/209 R, 209 D**

5,147,478 9/1992 Nock et al. .  
5,176,766 1/1993 Landers et al. .  
5,188,684 2/1993 Himuro .  
5,200,008 4/1993 Enterline et al. .  
5,240,053 8/1993 Baumhoefer et al. .

### FOREIGN PATENT DOCUMENTS

0503404 2/1992 European Pat. Off. .  
0503405 2/1992 European Pat. Off. .  
0503406 2/1992 European Pat. Off. .  
0503407 2/1992 European Pat. Off. .

### OTHER PUBLICATIONS

1993 Tread Design Guide, P48, Michelin MX4 Tire, second row down from top & second tire in from left side of page.  
1993 Tread Design Guide, P61, Sears Roadhandler Plus by Michelin Tire, second tire in from top right side of page.

*Primary Examiner*—James M. Gandy  
*Attorney, Agent, or Firm*—St. Onge Steward Johnston & Reens

### [56] References Cited

#### U.S. PATENT DOCUMENTS

- D. 261,494 10/1981 Suzuki et al. .
- D. 263,946 4/1982 Kojima et al. .
- D. 280,090 8/1985 Graas .
- D. 294,239 2/1988 Graas .
- D. 298,115 10/1988 Kuroda .
- D. 311,888 11/1980 Guermanti et al. .
- D. 311,889 11/1990 Guermanti et al. .
- D. 317,740 6/1991 Takehara .
- D. 322,236 12/1991 Maxwell et al. .
- D. 339,558 9/1993 Sulkowski .
- 2,197,662 4/1940 Hughes .
- 3,789,898 2/1974 Montagne .
- 3,830,273 8/1974 Boileau .
- 4,278,121 7/1981 McDonald .
- 4,289,182 9/1981 Sato et al. .
- 4,351,381 9/1982 Roberts et al. .
- 4,700,762 10/1987 Landers .
- 4,785,863 11/1988 Tsuda et al. .
- 4,796,683 1/1989 Kawabata et al. .
- 4,913,208 4/1990 Anderson et al. .

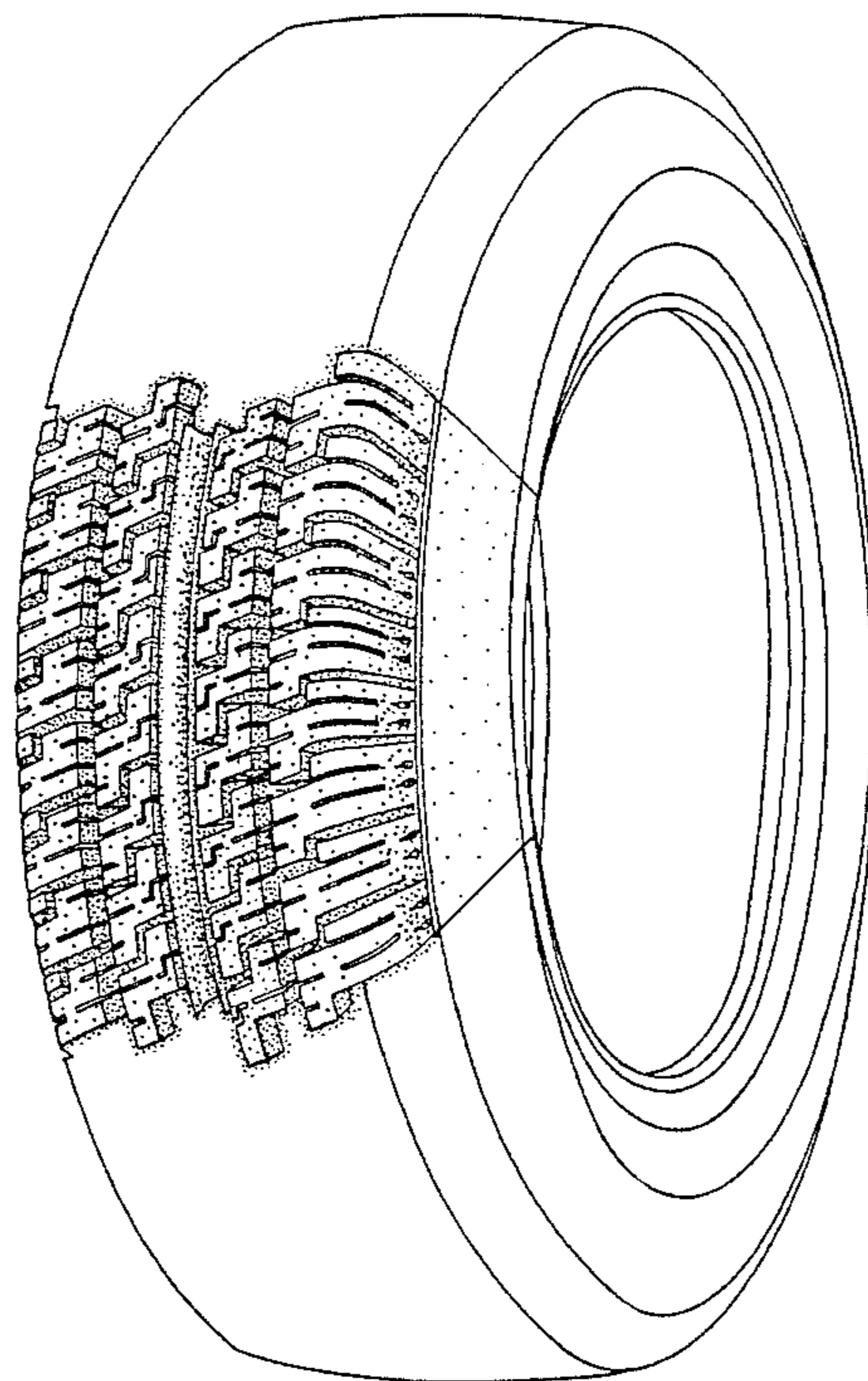
### [57] CLAIM

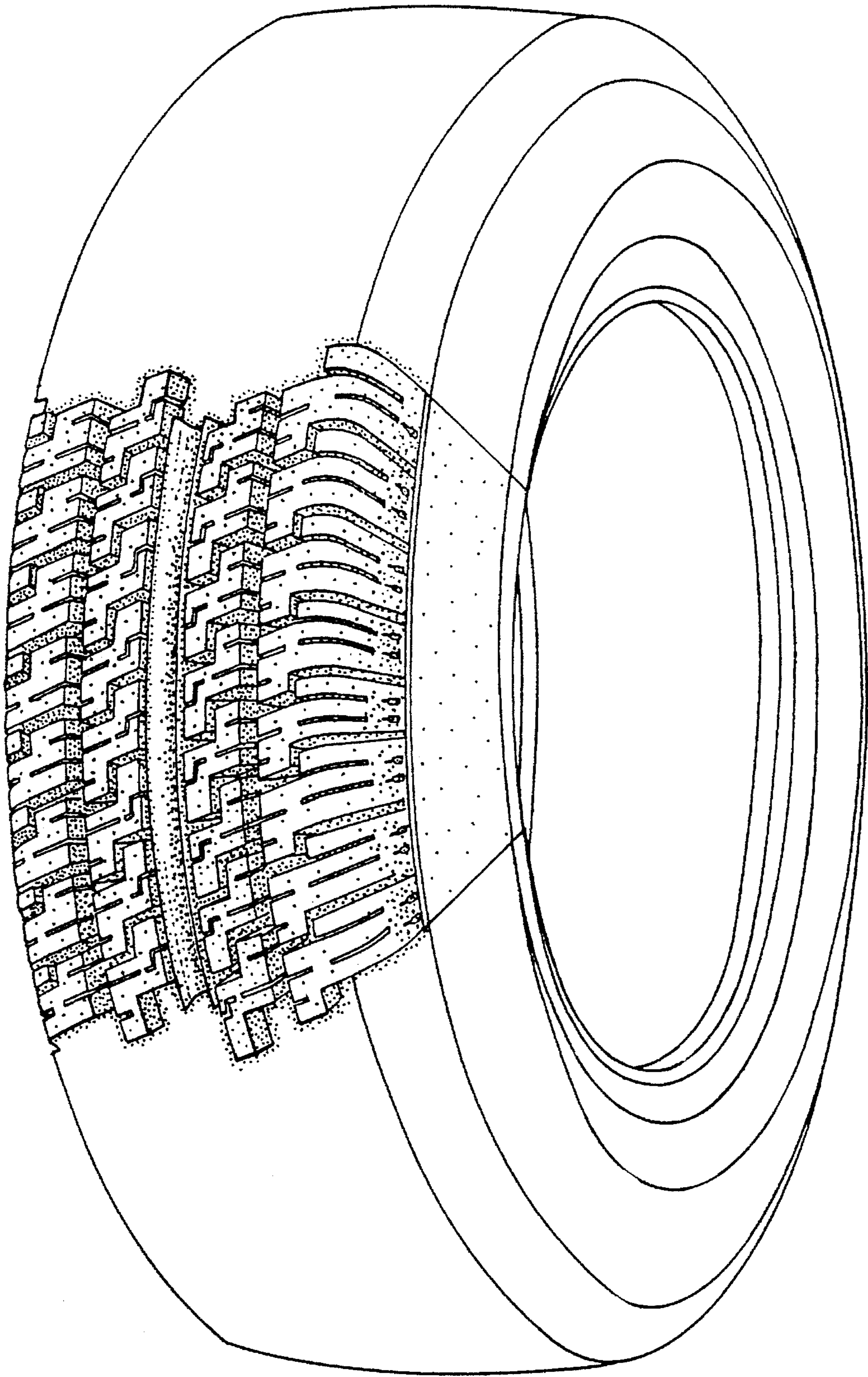
The ornamental design for a tire, as shown and described.

### DESCRIPTION

FIG. 1 is a perspective view of a tire showing my new design, it being understood that the tread pattern is repeated throughout the circumference thereof as shown schematically by solid lines, the opposite side being substantially the same as that shown;  
FIG. 2 is an enlarged fragmentary developed plan view of the tire of FIG. 1; and,  
FIG. 3 is an enlarged cross-sectional view of the tire of FIG. 1 taken along line 3—3 in FIG. 2.

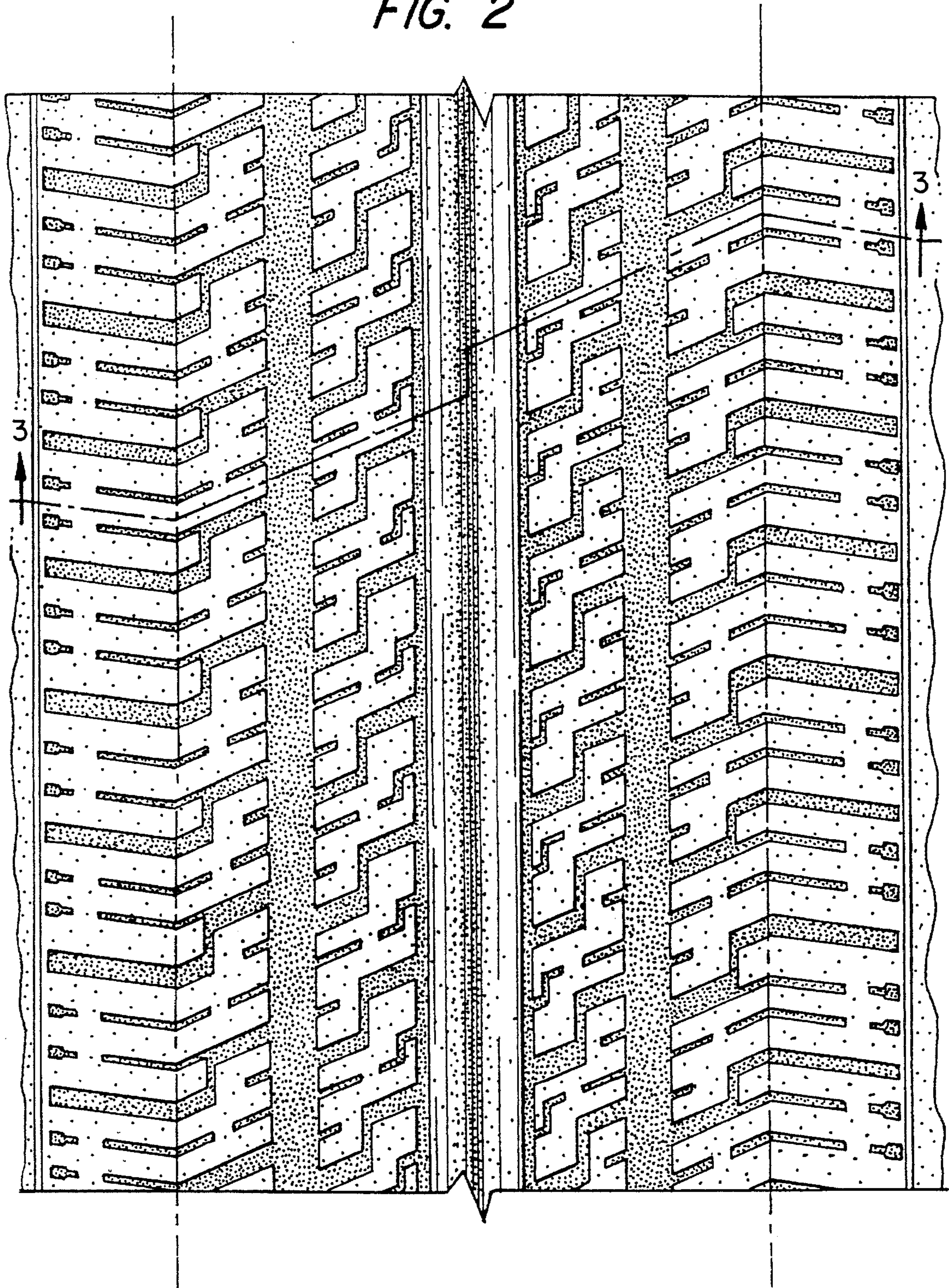
**1 Claim, 3 Drawing Sheets**





*FIG. 1*

FIG. 2



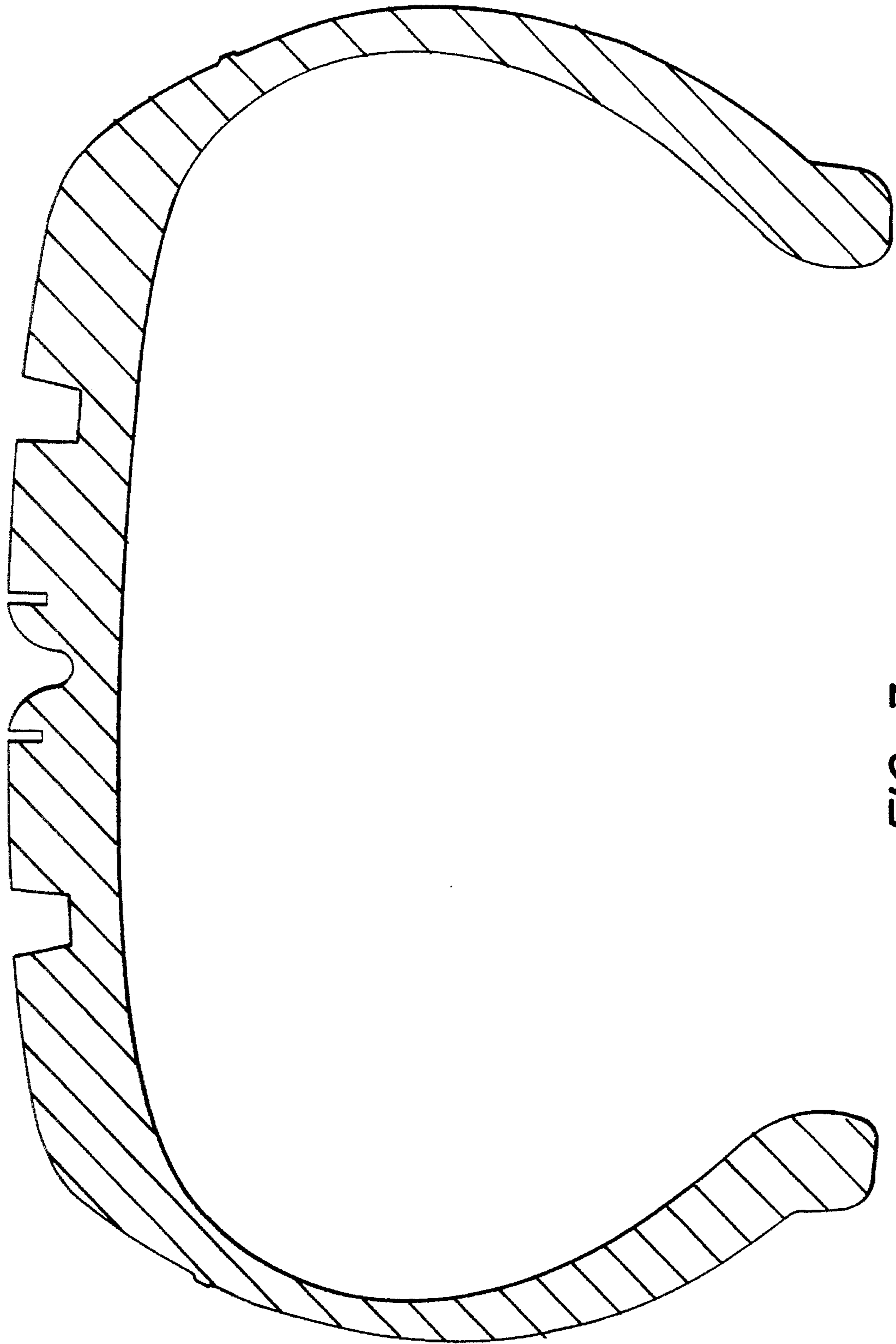


FIG. 3