



US00D366860S

United States Patent [19]
Huffnagle

[11] **Patent Number: Des. 366,860**
[45] **Date of Patent: **Feb. 6, 1996**

[54] **TIRE CHAIN MOUNTING FACILITATOR**

5,297,605 3/1994 Littell 152/213 R
5,400,846 3/1995 Bowman 152/213 R

[76] Inventor: **Richard C. Huffnagle**, 10282 Overhill Dr., Santa Ana, Calif. 92705

Primary Examiner—A. Hugo Word
Assistant Examiner—M. Brown
Attorney, Agent, or Firm—Cislo & Thomas

[**] Term: **14 Years**

[57] **CLAIM**

[21] Appl. No.: **19,953**

The ornamental design for a tire chain mounting facilitator, as shown and described.

[22] Filed: **Mar. 15, 1994**

[52] U.S. Cl. **D12/400**

[58] **Field of Search** D12/400, 217,
D12/154; 152/213 R; D34/32; 254/88, 1;
188/32, 36; 14/71.1, 71.3

DESCRIPTION

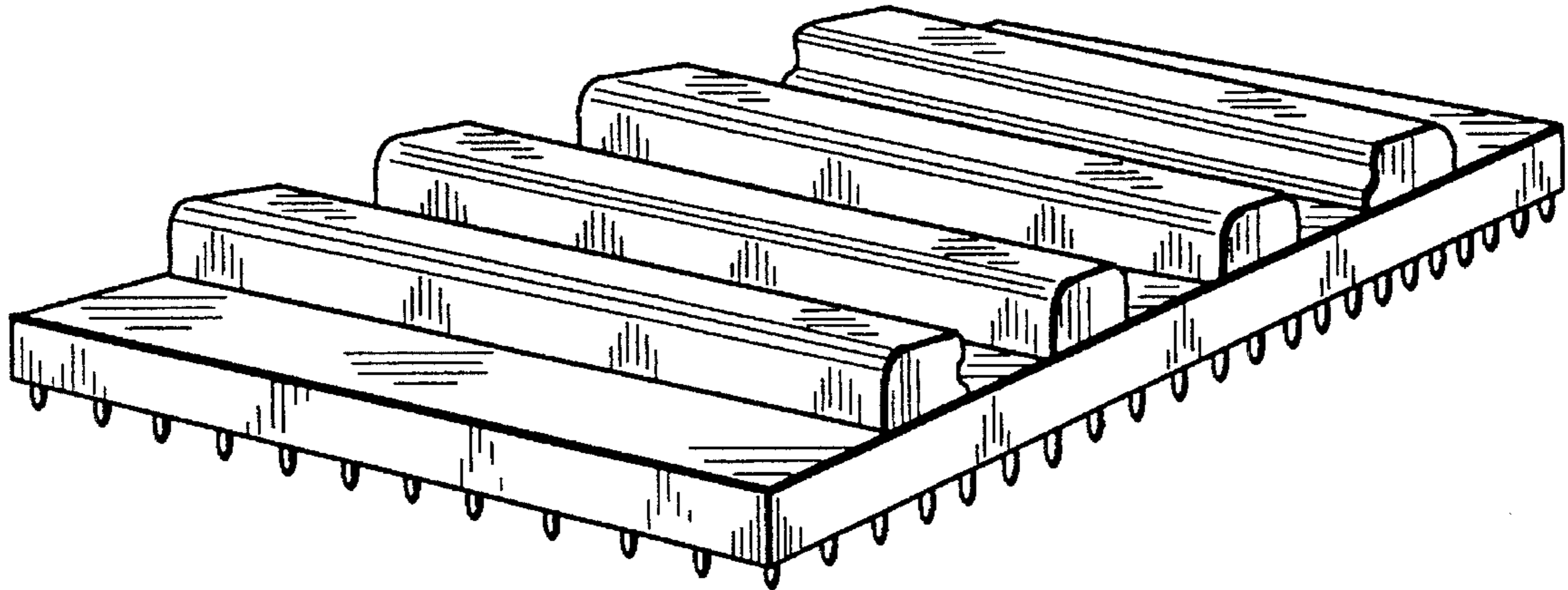
[56] **References Cited**

U.S. PATENT DOCUMENTS

D. 283,317	8/1986	Stewart	D12/217
D. 343,821	2/1994	Bush et al.	D12/217
D. 350,525	9/1994	Robinson	D12/217
2,844,909	7/1958	Perchinsky	D12/217
4,487,314	12/1984	Stewart	152/213 R
5,273,092	12/1993	Simpson	152/213 R

FIG. 1 is a perspective view of my tire chain mounting facilitator;
FIG. 2 is a top view thereof;
FIG. 3 is a bottom plan view thereof, it being understood that the raised knobs cover the entire bottom surface;
FIG. 4 is a front view thereof; and,
FIG. 5 is a right side elevational view thereof, with the left side elevational view being substantially a mirror image thereof.

1 Claim, 1 Drawing Sheet



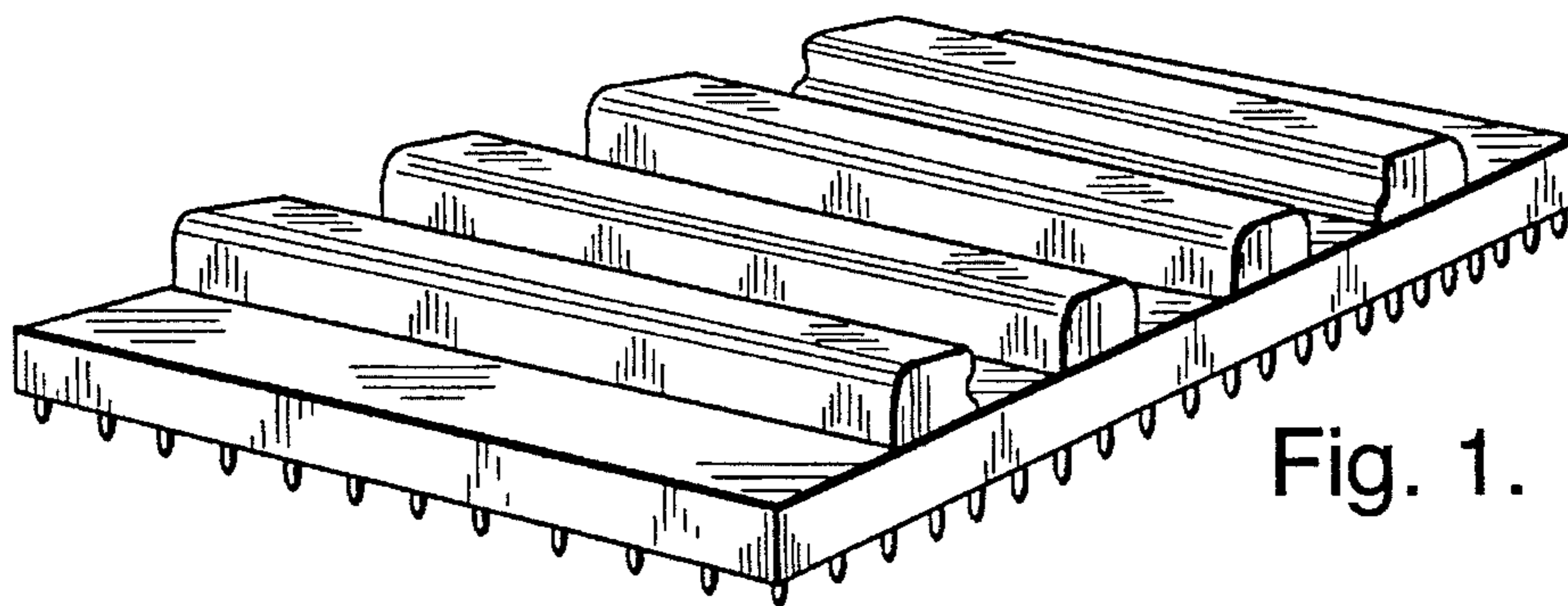


Fig. 1.

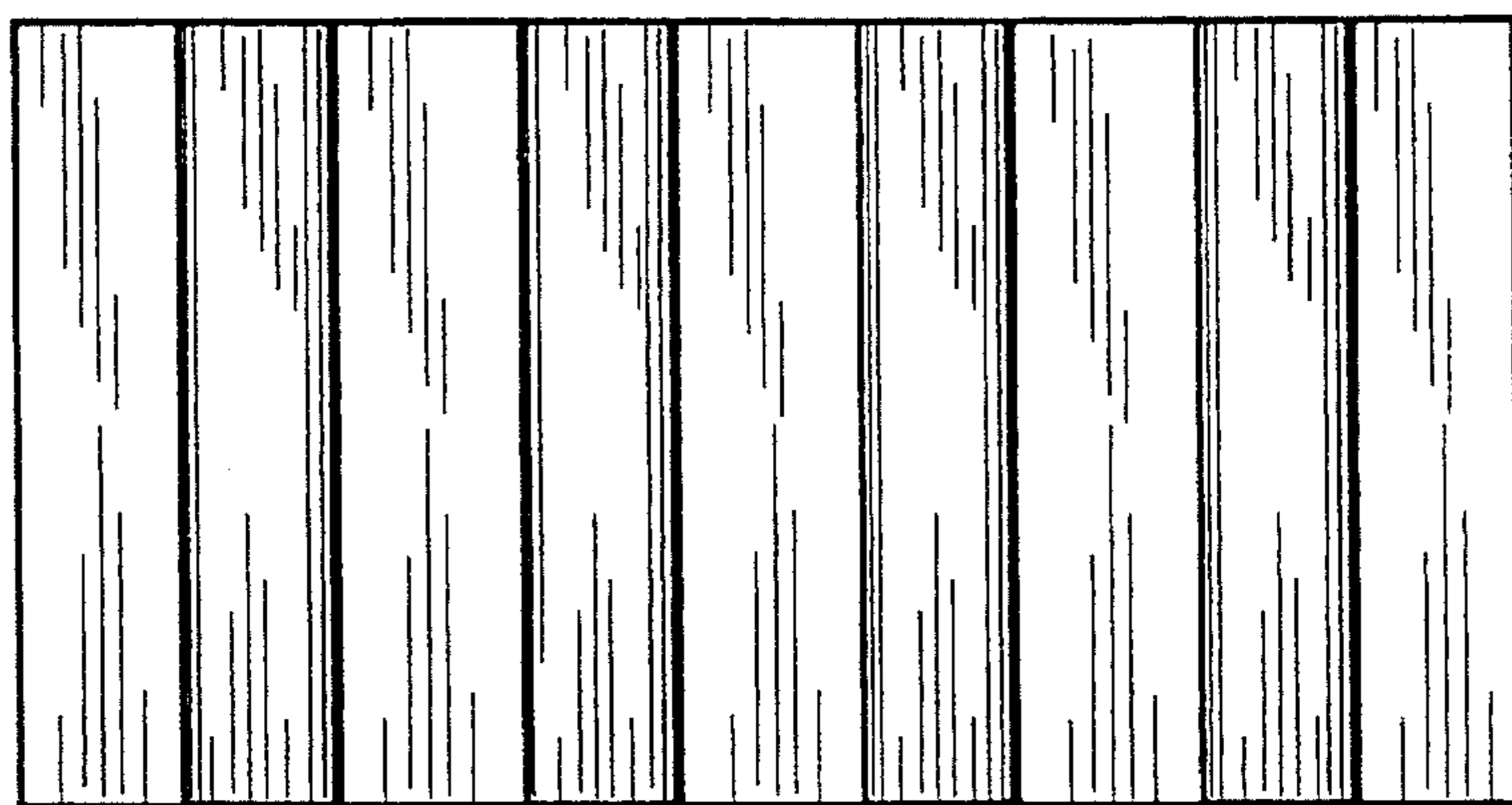


Fig. 2.

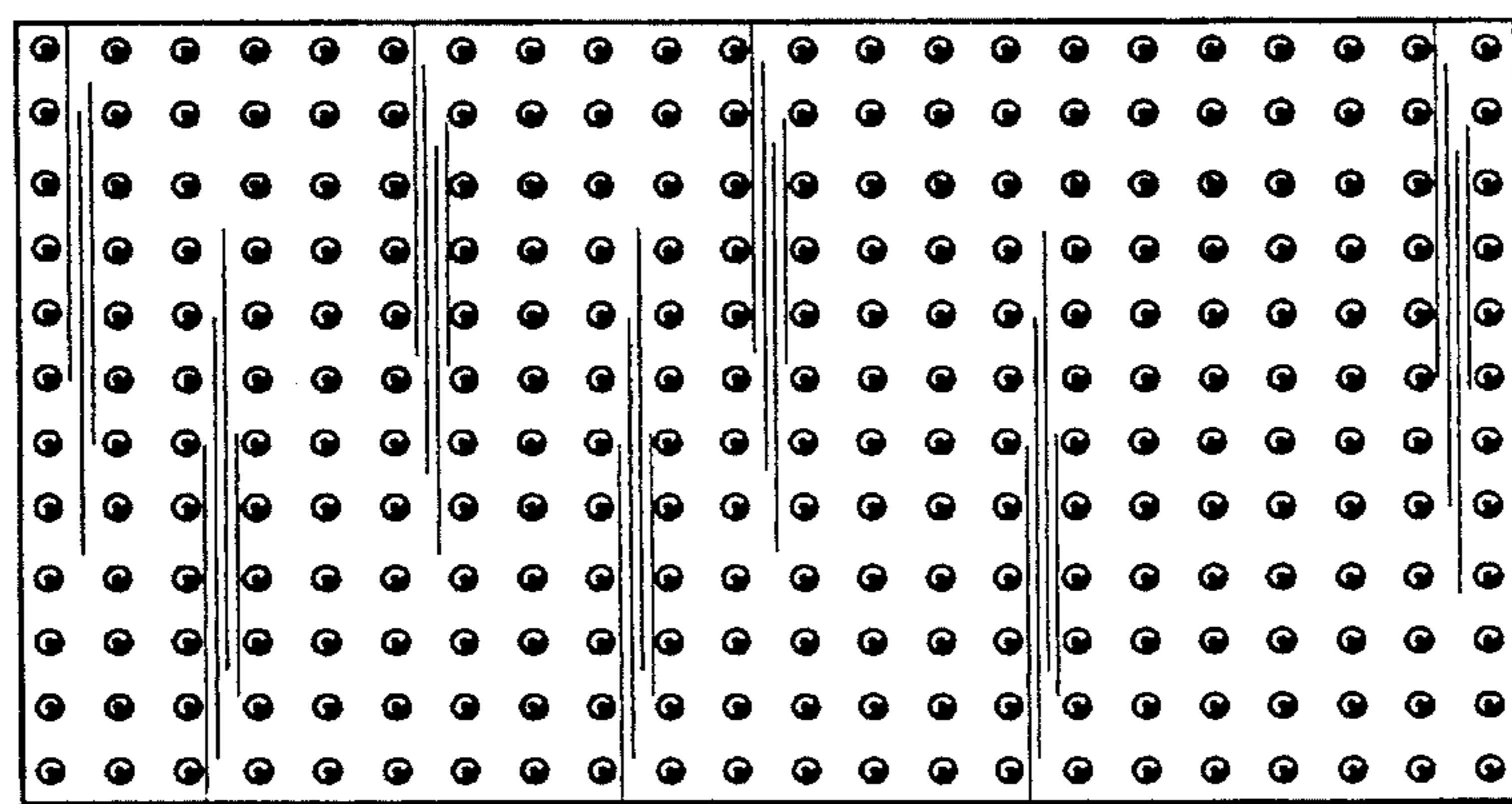


Fig. 3.

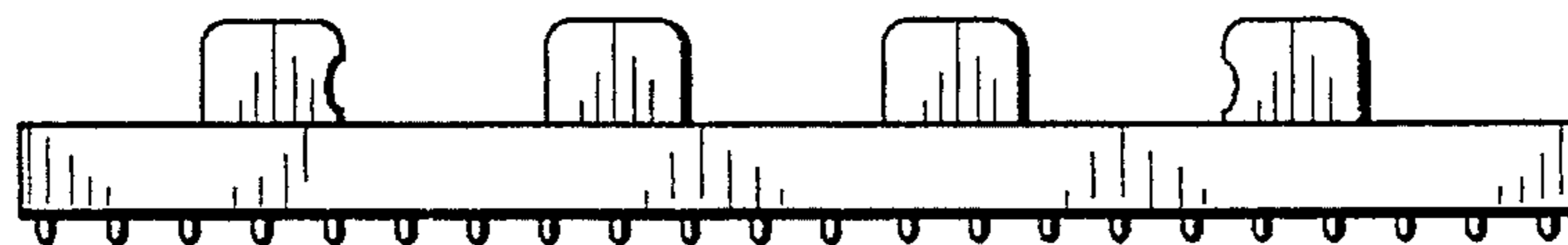


Fig. 4

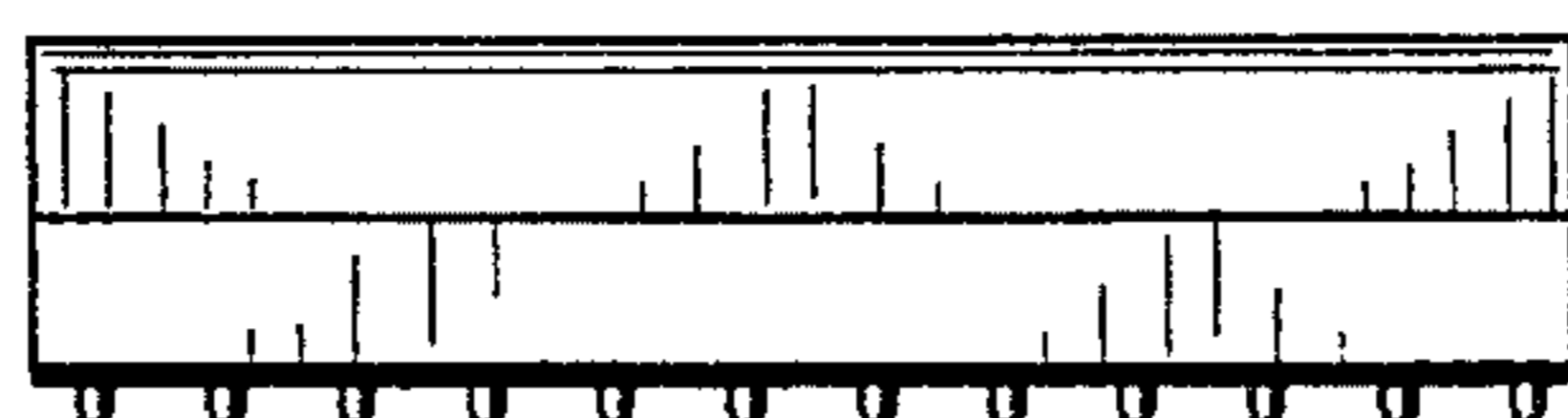


Fig. 5