



US00D366849S

# United States Patent [19]

Wilkinson et al.

[11] Patent Number: **Des. 366,849**

[45] Date of Patent: **\*\*Feb. 6, 1996**

[54] **AUDIBLE ALARM FOR SECURITY UNITS**

[75] Inventors: **John L. Wilkinson**, Hertfordshire;  
**Terence K. A. Smith**, London, England

[73] Assignee: **Signature Industries Ltd.**, London,  
England

[\*\*] Term: **14 Years**

[21] Appl. No.: **31,857**

[22] Filed: **Dec. 7, 1994**

### [30] Foreign Application Priority Data

Jun. 10, 1994 [GB] United Kingdom ..... 2039602

[52] U.S. Cl. .... **D10/106**

[58] Field of Search ..... D10/104, 106,  
D10/116, 117, 118, 121; 340/384 R, 384 E,  
386, 392, 393, 404, 405, 406, 407; D13/152,  
156, 182, 184

### [56] References Cited

#### U.S. PATENT DOCUMENTS

- D. 273,848 5/1984 Monahan ..... D10/106
- D. 277,465 2/1985 MacDonald ..... D10/106
- D. 297,128 8/1988 Guscott et al. .... D10/106
- D. 297,316 8/1988 Mastro ..... D10/106

- D. 297,517 9/1988 Yuen ..... D10/106
- D. 304,309 10/1989 Vories ..... D10/106
- D. 312,054 11/1990 Melman ..... D10/106
- D. 339,544 9/1993 Sone ..... D10/106

### OTHER PUBLICATIONS

Product brochure, FKI Communications Limited, published prior to Dec. 7, 1994.

*Primary Examiner*—A. Hugo Word  
*Assistant Examiner*—Marcus Jackson  
*Attorney, Agent, or Firm*—Wenderoth, Lind & Ponack

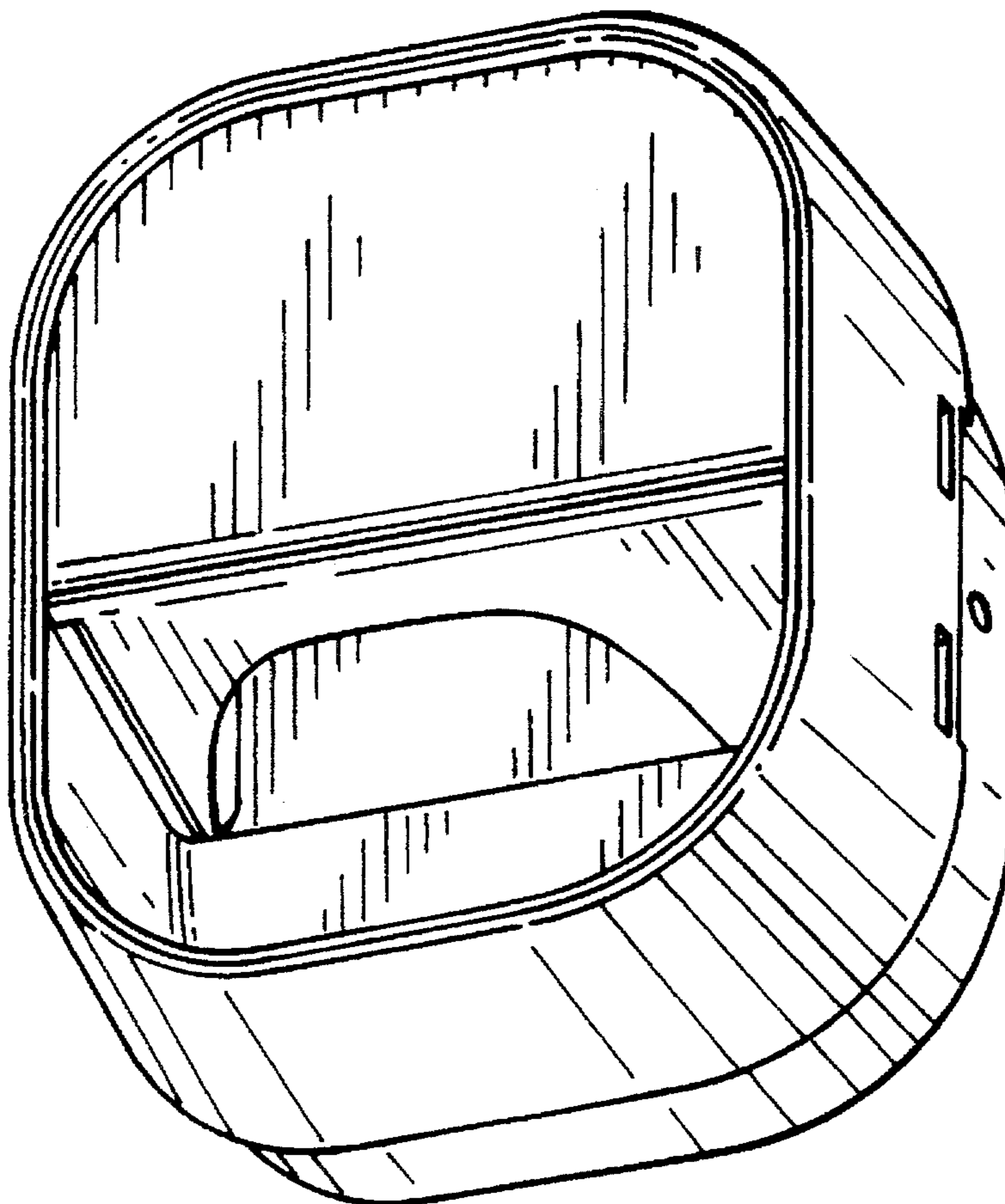
### [57] CLAIM

The ornamental design for an audible alarm for security units, as shown and described.

### DESCRIPTION

FIG. 1 is a front elevational view of an audible alarm for security units showing our new design, with the rear being flat and unornamented.  
FIG. 2 is a front, bottom, left side perspective view thereof;  
FIG. 3 is a top plan view thereof;  
FIG. 4 is a left side elevational view thereof, the right side elevational view being a mirror image; and,  
FIG. 5 is a bottom plan view thereof.

**1 Claim, 2 Drawing Sheets**



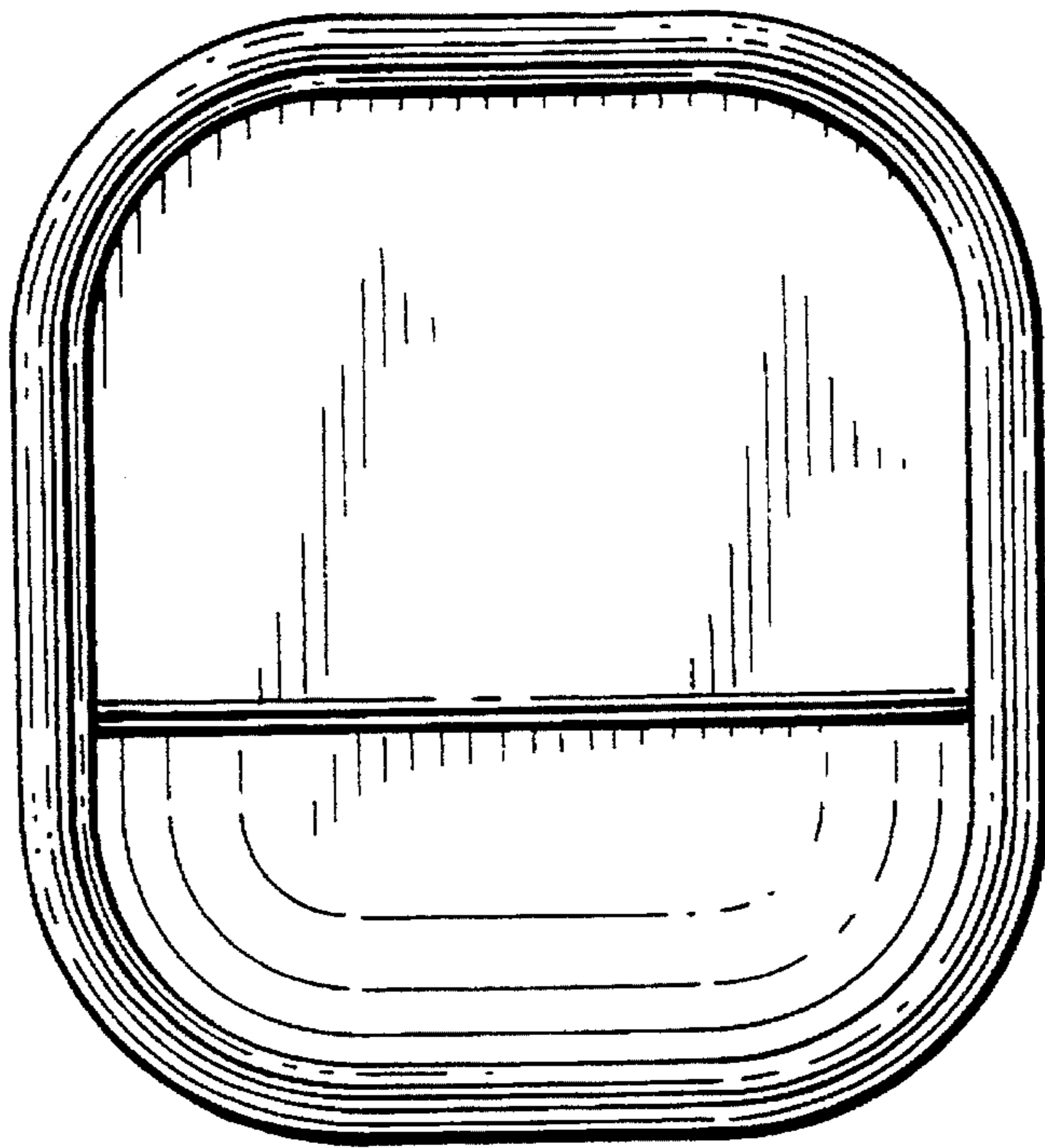


FIG. 1.

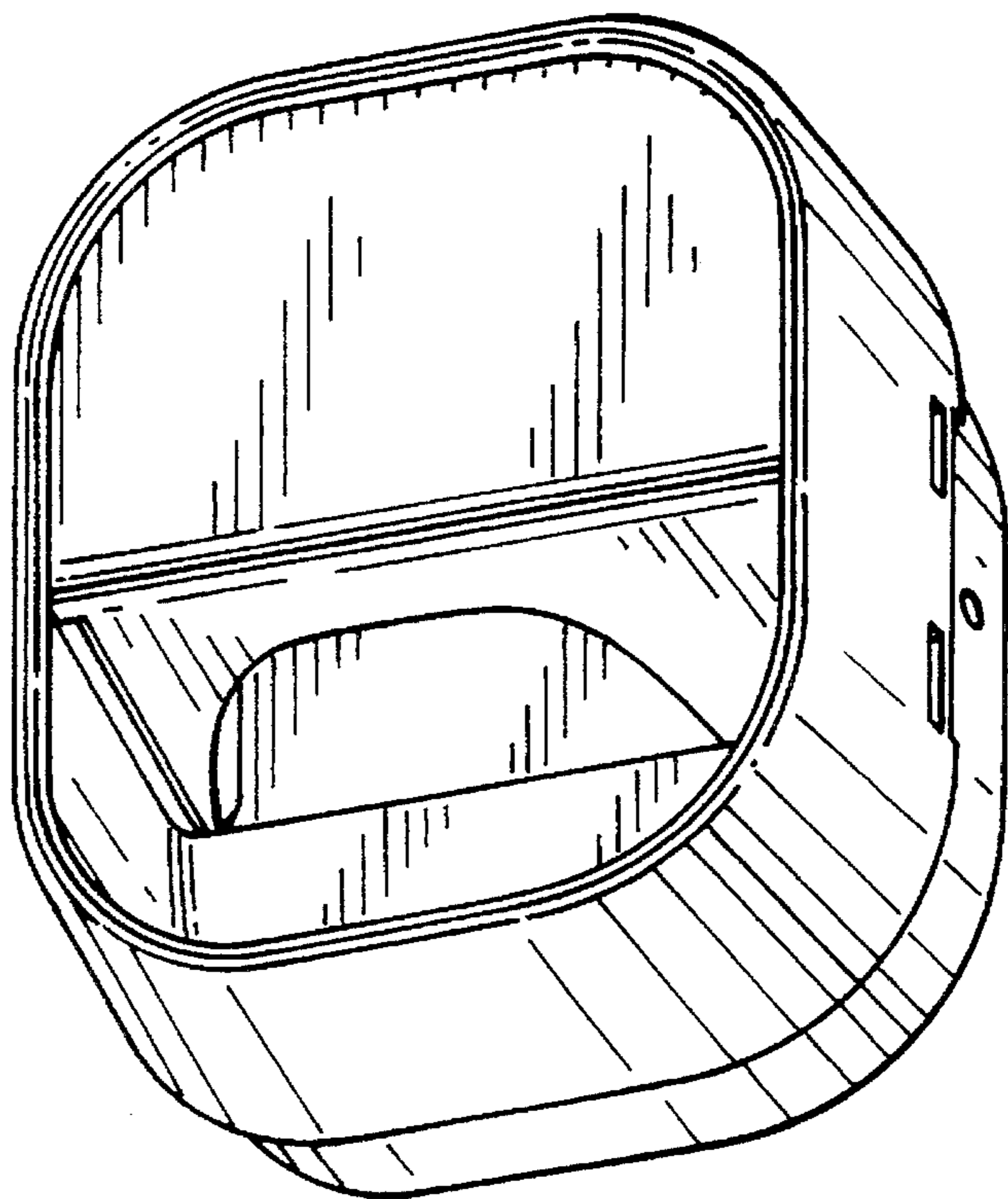


FIG. 2.

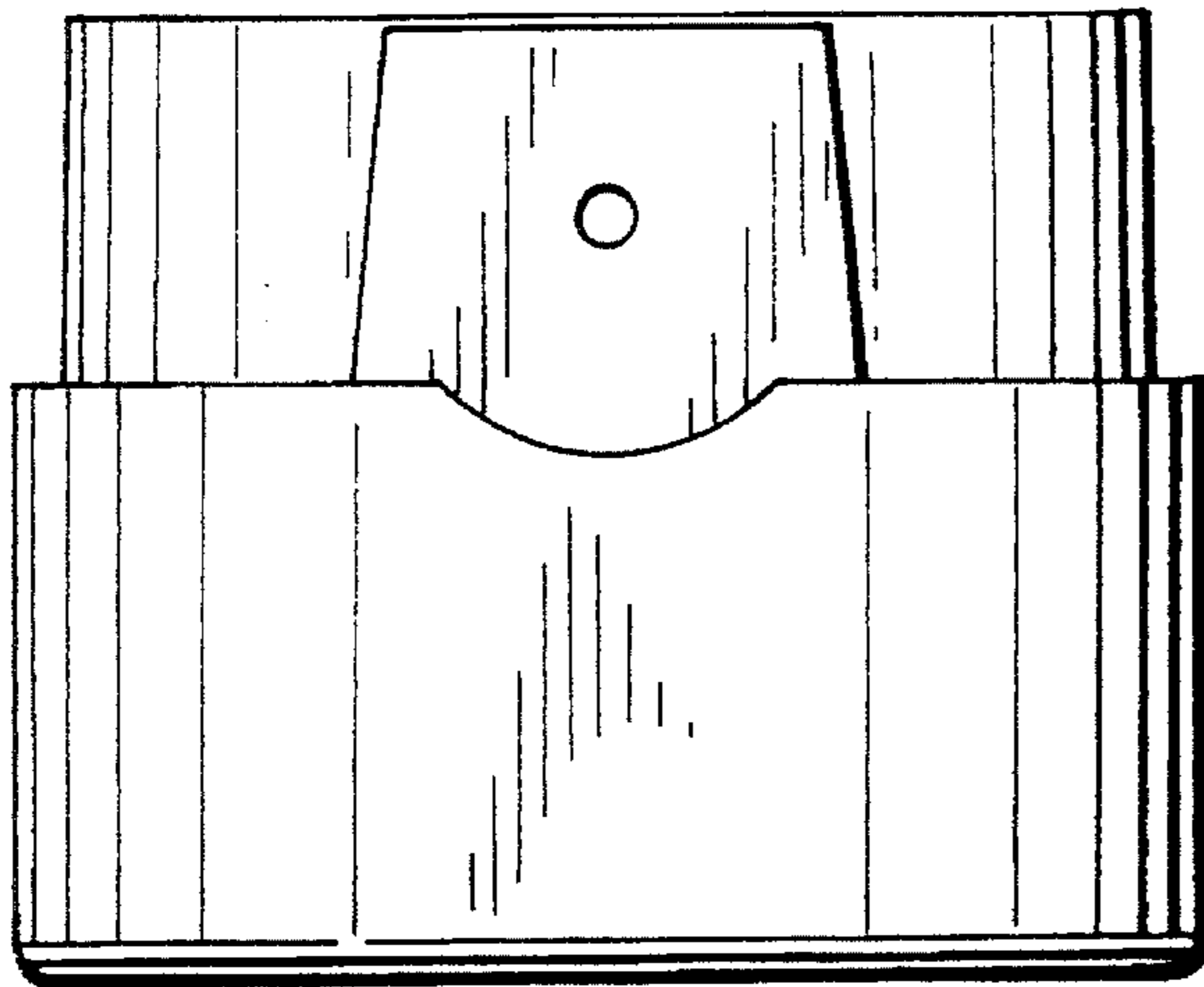


FIG. 3.

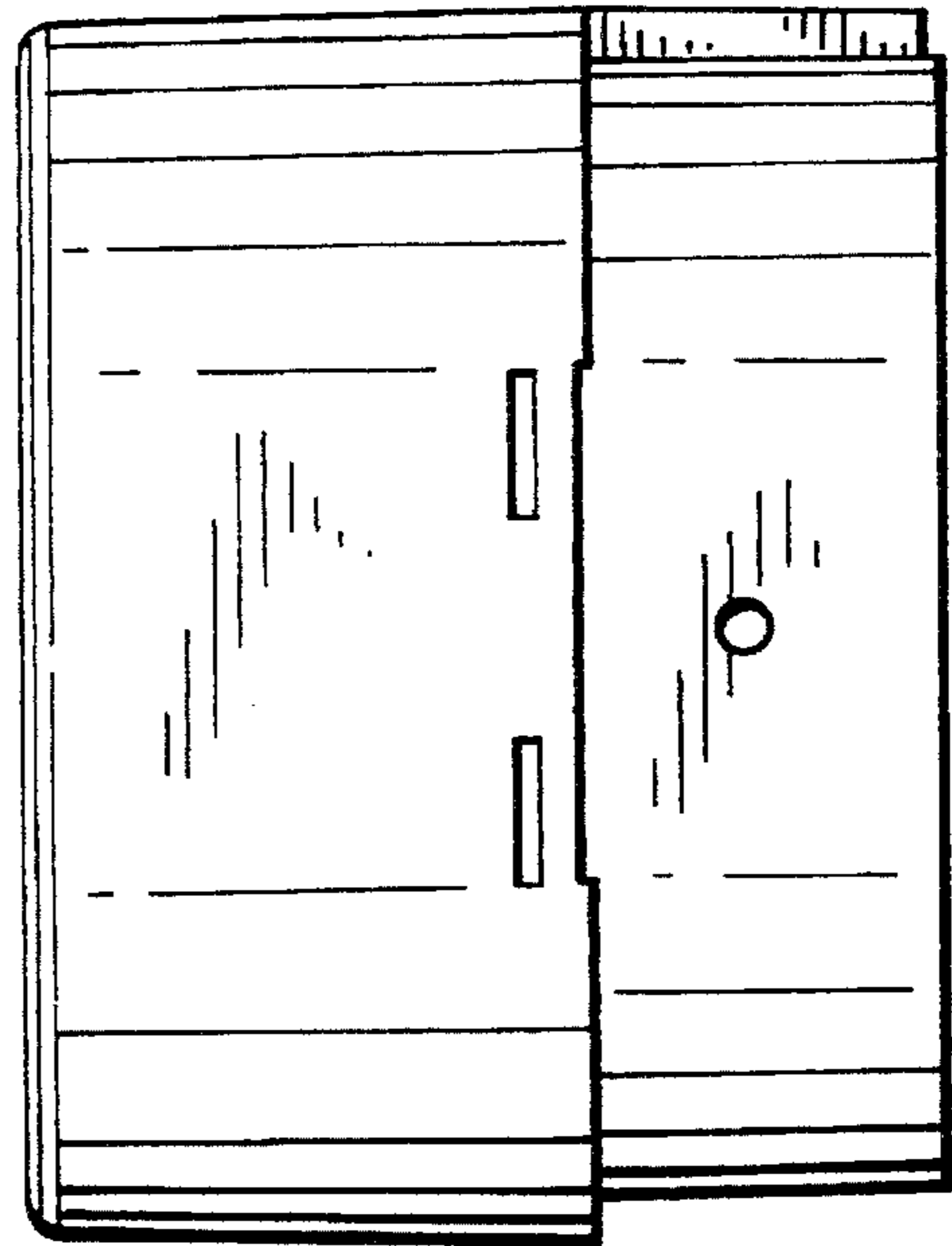


FIG. 4.

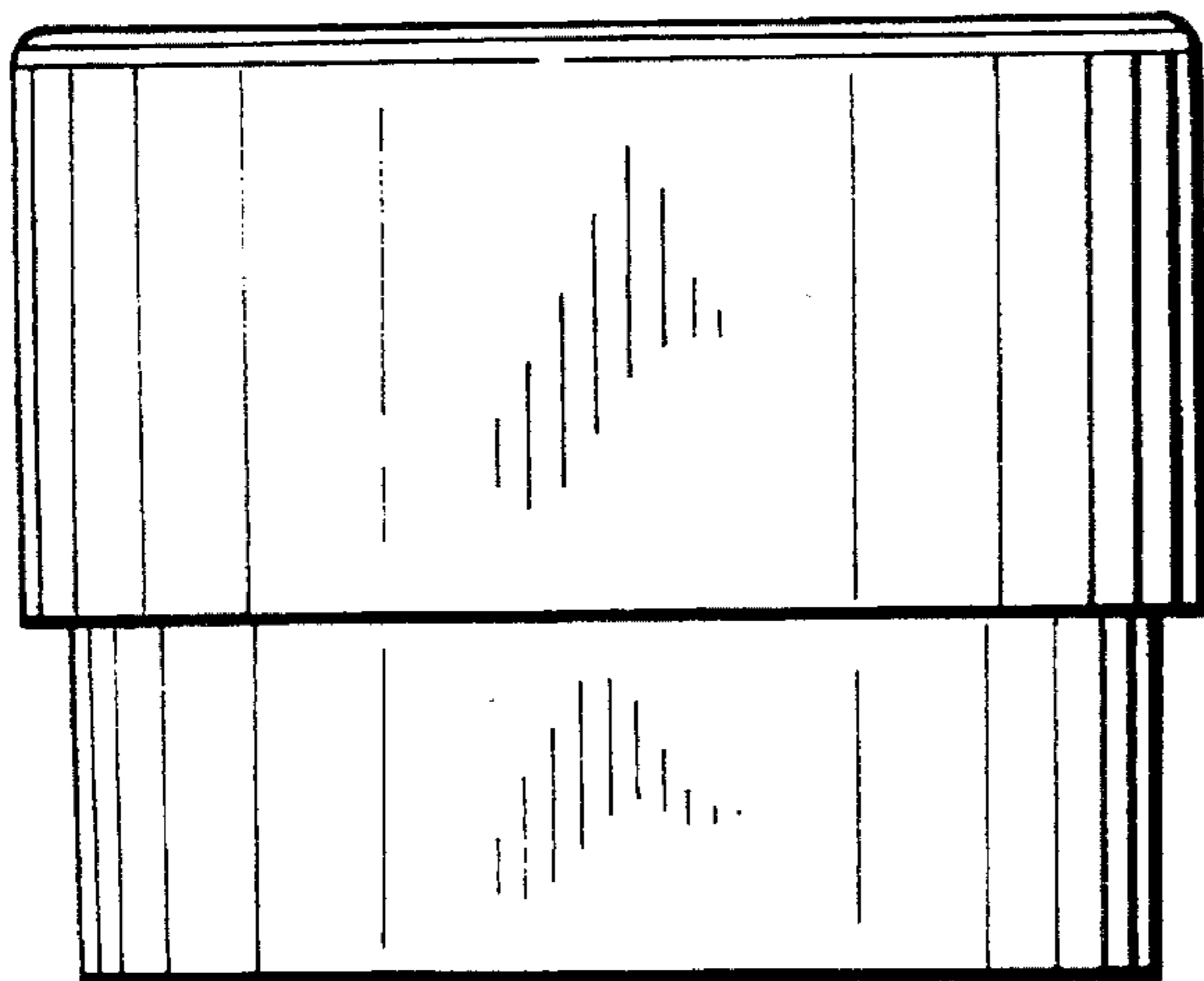


FIG. 5.