



US00D366846S

United States Patent [19]

Handfield et al.

[11] **Patent Number:** **Des. 366,846**

[45] **Date of Patent:** ****Feb. 6, 1996**

[54] **TIRE PRESSURE MONITOR**

[76] Inventors: **Michael Handfield; Helene Laliberte,**
both of 910 Sherwood Ct., Rochester,
Mich. 48037

[**] Term: **14 Years**

[21] Appl. No.: **36,671**

[22] Filed: **Mar. 24, 1995**

[52] U.S. Cl. **D10/86**

[58] **Field of Search** D10/86; 73/146-146.8;
116/34 R; 200/61.22, 61.25; 340/442, 447,
445

[56] **References Cited**

U.S. PATENT DOCUMENTS

D. 337,730	7/1993	Rosenfeld	D10/86
4,970,491	11/1990	Saint et al.	340/447
5,001,457	3/1991	Wang	73/146.4 X
5,109,213	4/1992	Williams	340/447

Primary Examiner—Antoine Duval Davis
Attorney, Agent, or Firm—Brooks & Kushman

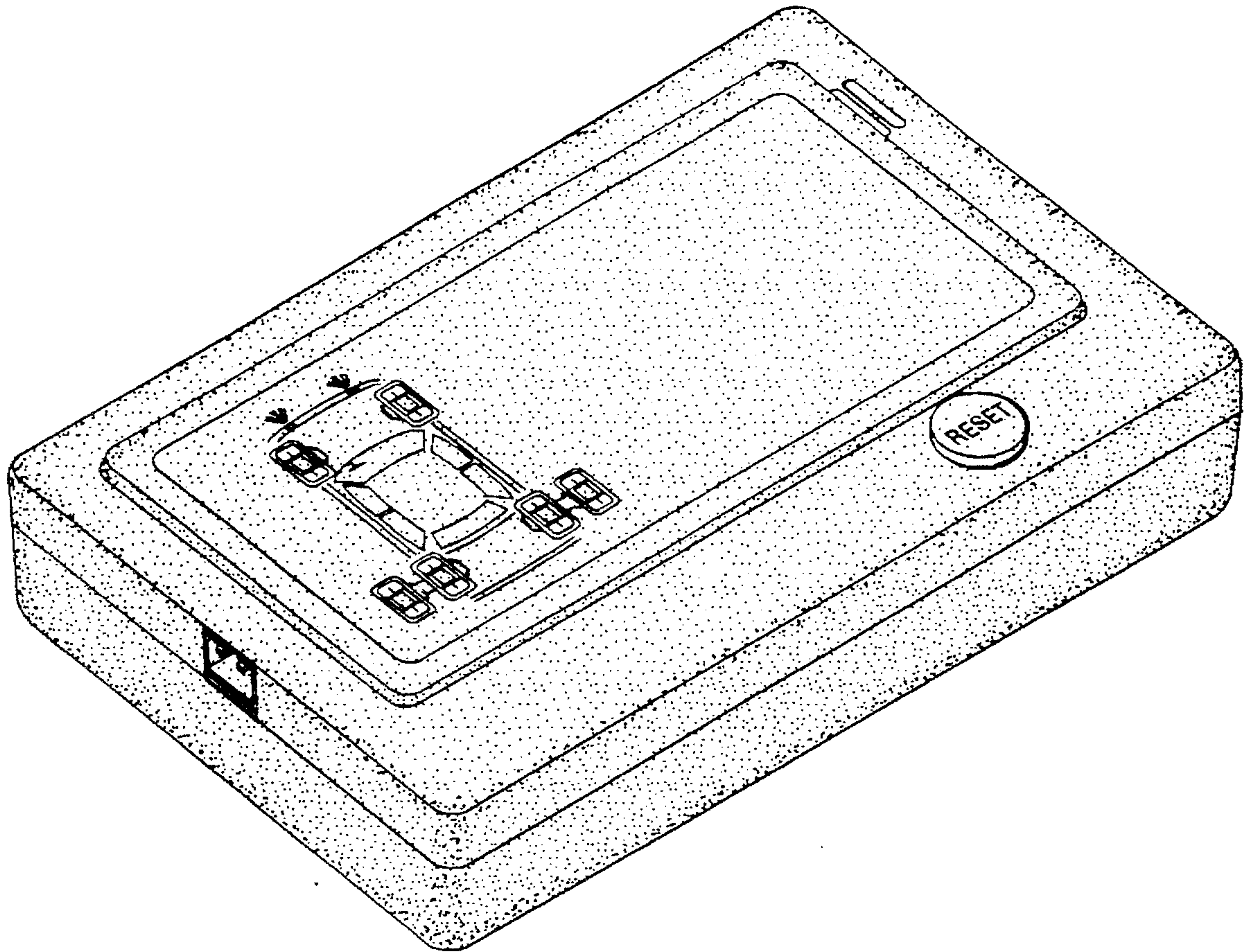
[57] **CLAIM**

The ornamental design for a tire pressure monitor, as shown and described.

DESCRIPTION

FIG. 1 is a perspective view of our tire pressure monitor; FIG. 2 is a front plan view thereof; FIG. 3 is a bottom side elevational view; FIG. 4 is a rear plan view; FIG. 5 is a top side elevational view; FIG. 6 is a right side elevational view; FIG. 7 is a left side view; FIG. 8 is a perspective view of an alternative embodiment of FIG. 1; and, FIG. 9 is a front view of the embodiment of FIG. 8, the other views being identical to FIGS. 3-7 above.

1 Claim, 3 Drawing Sheets



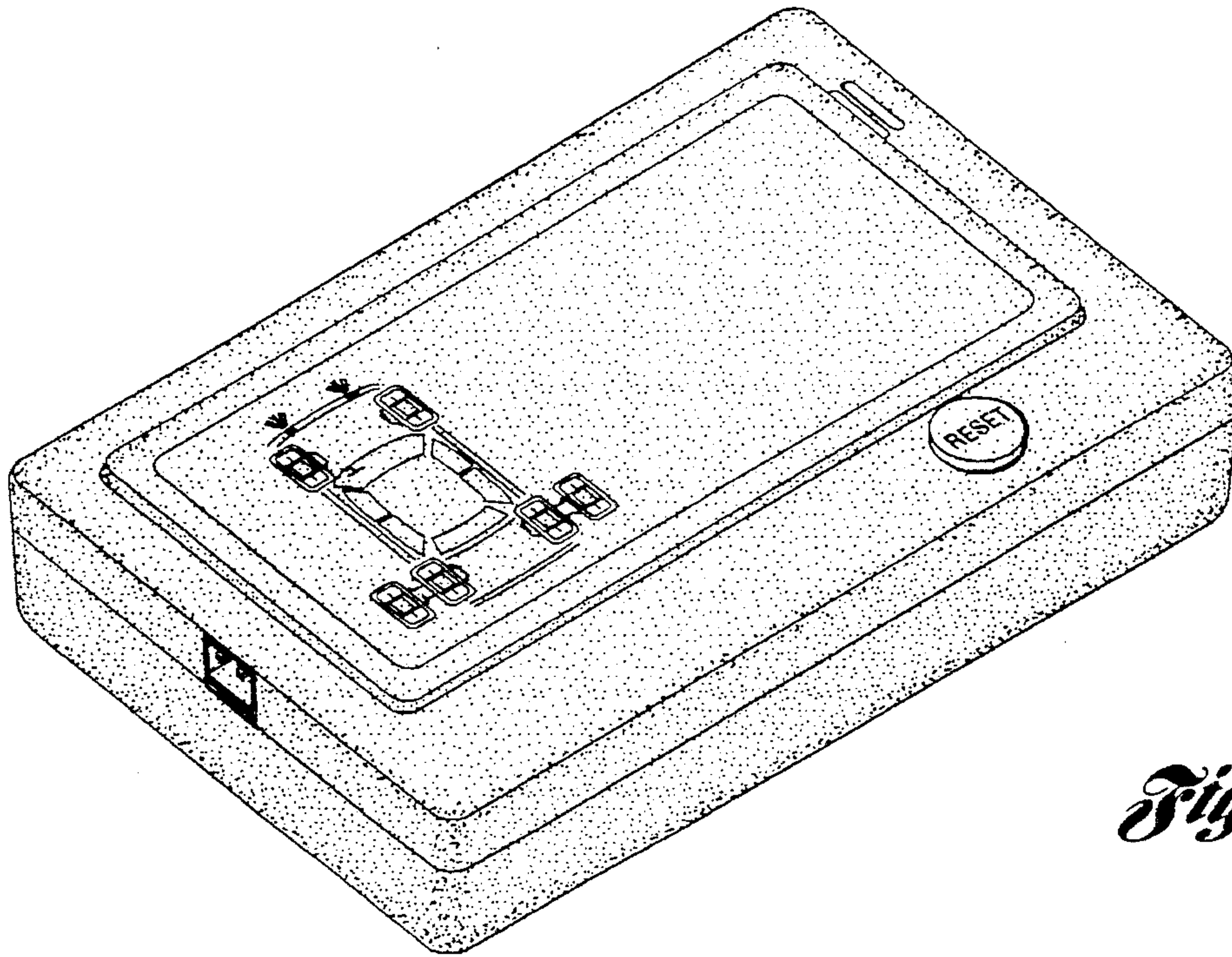


Fig. 1

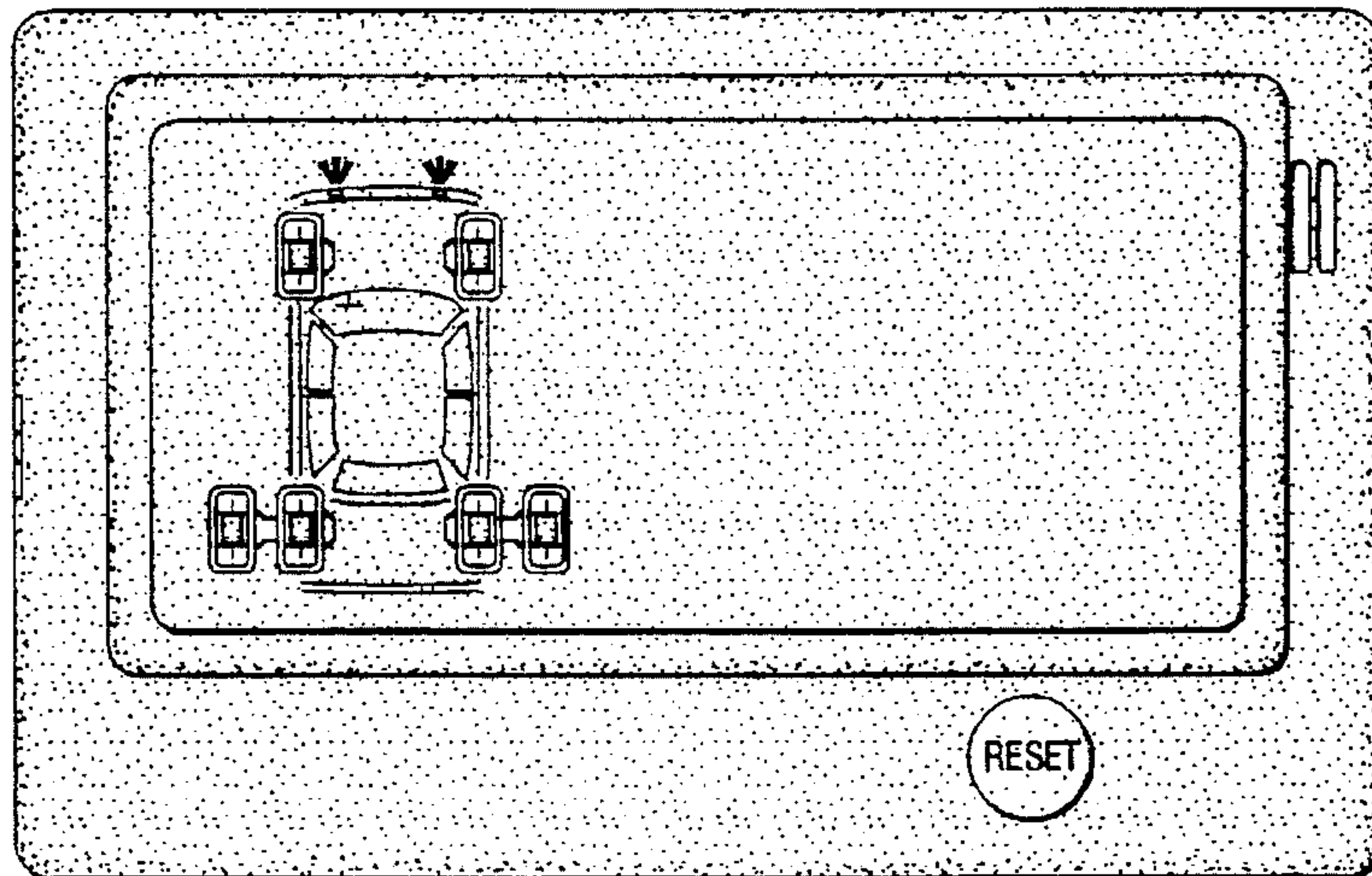


Fig. 2

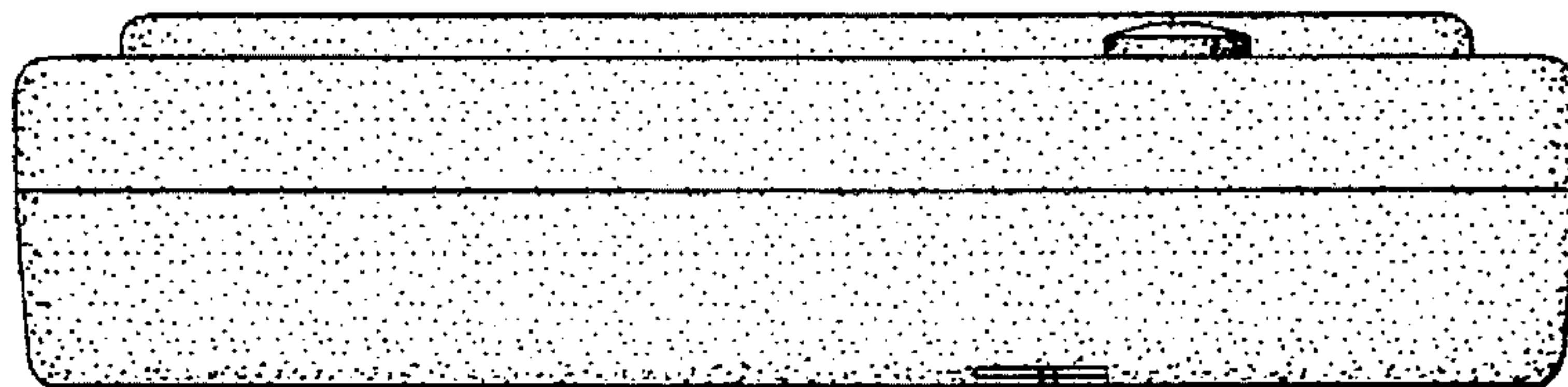


Fig. 3

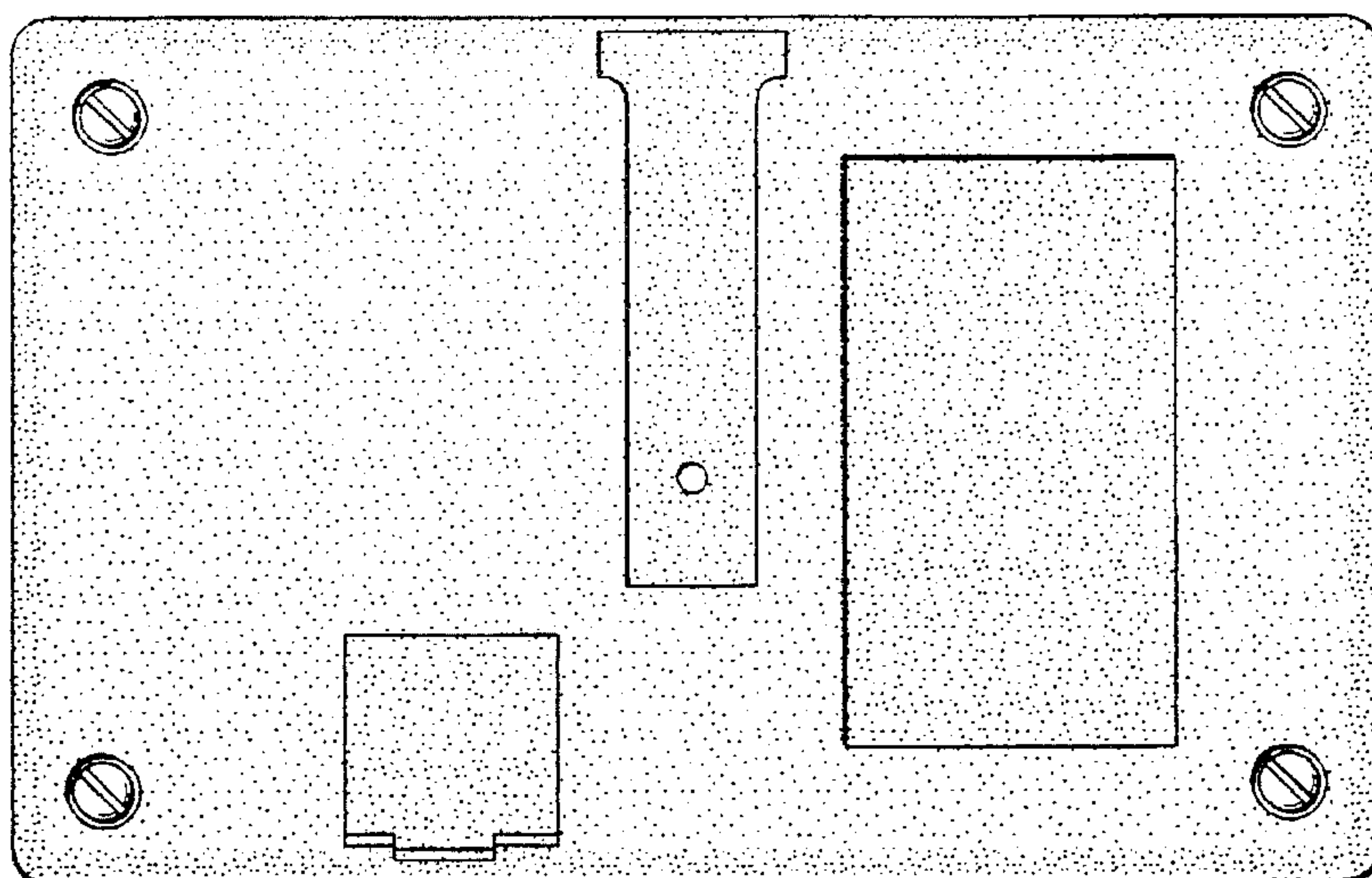


Fig. 4

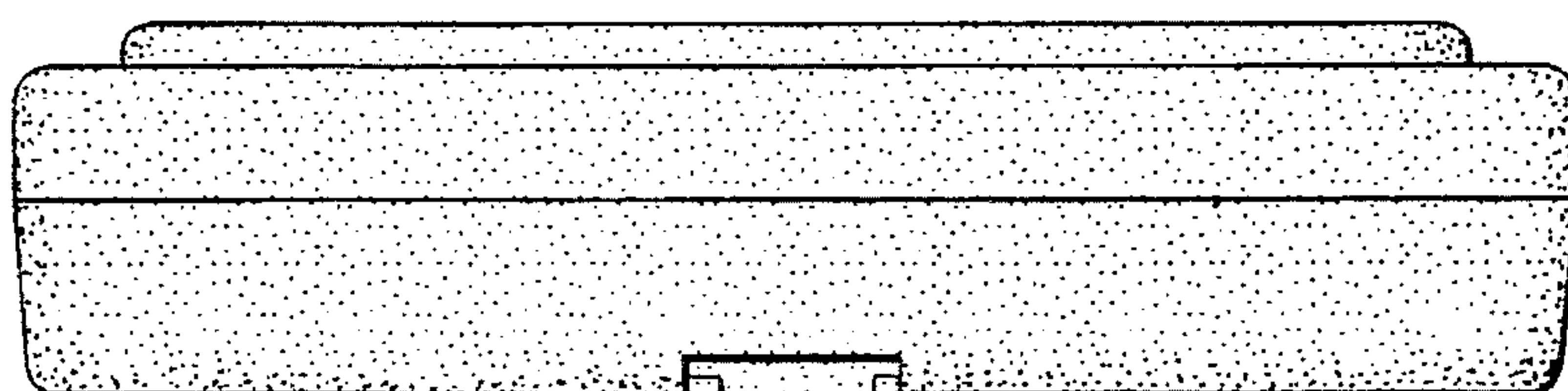


Fig. 5

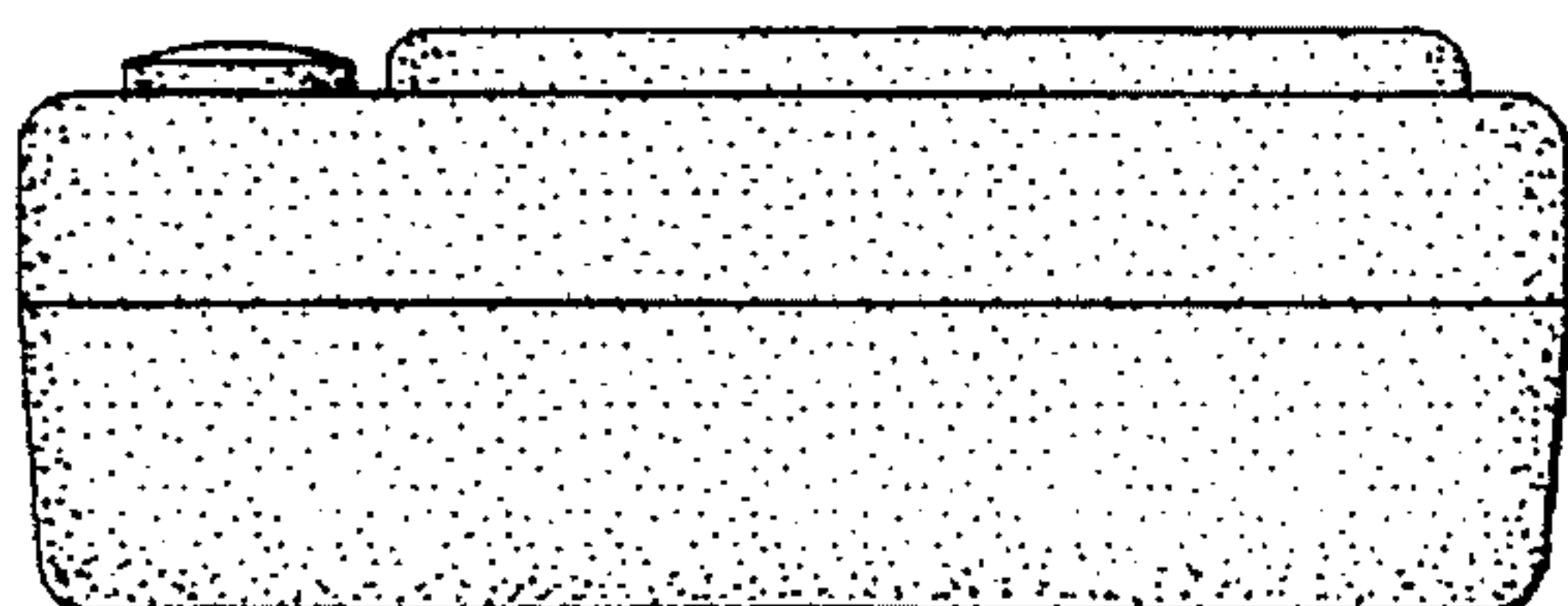
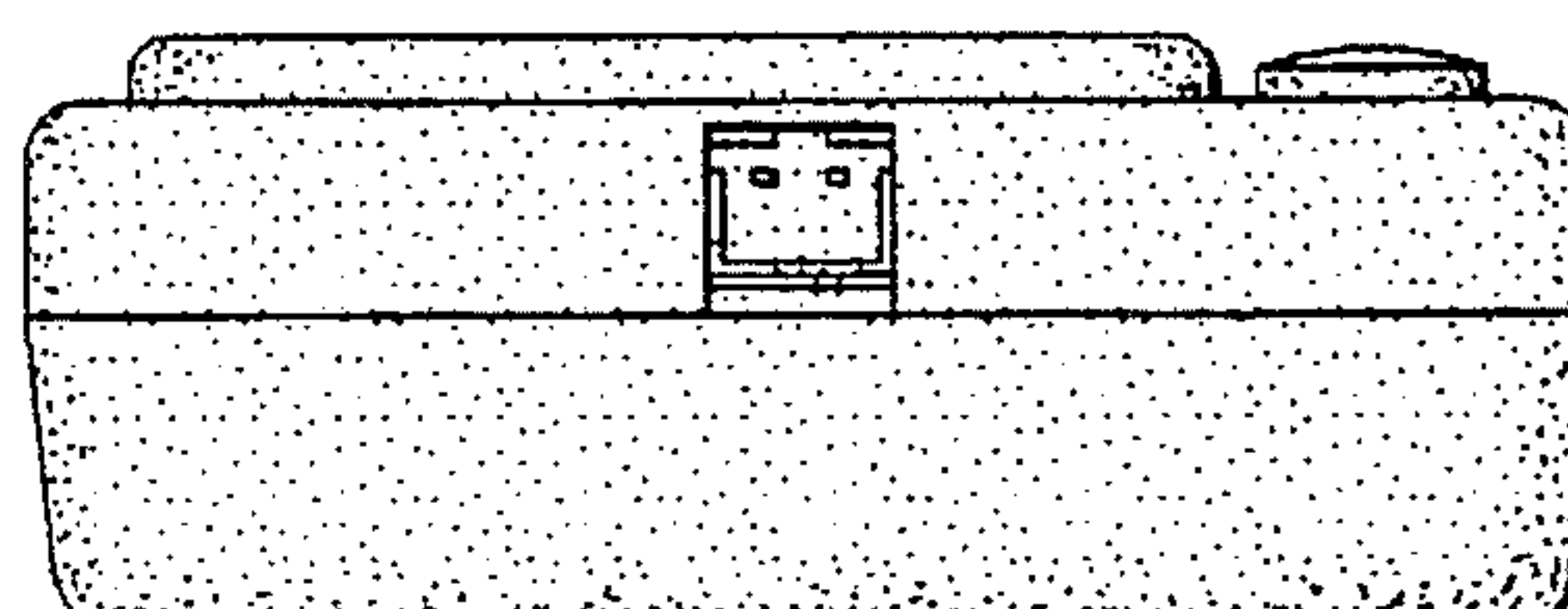


Fig. 6

Fig. 7



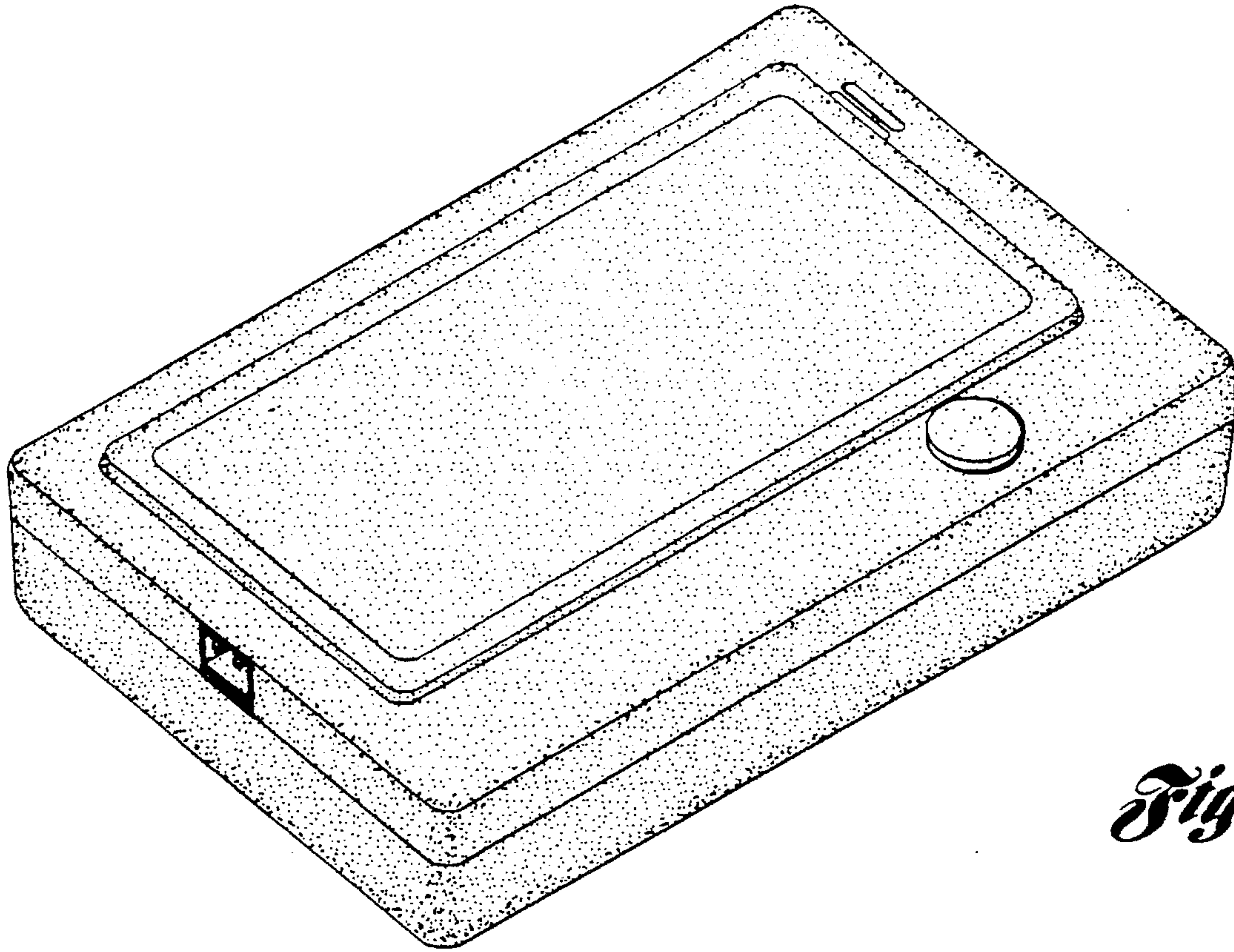


Fig. 8

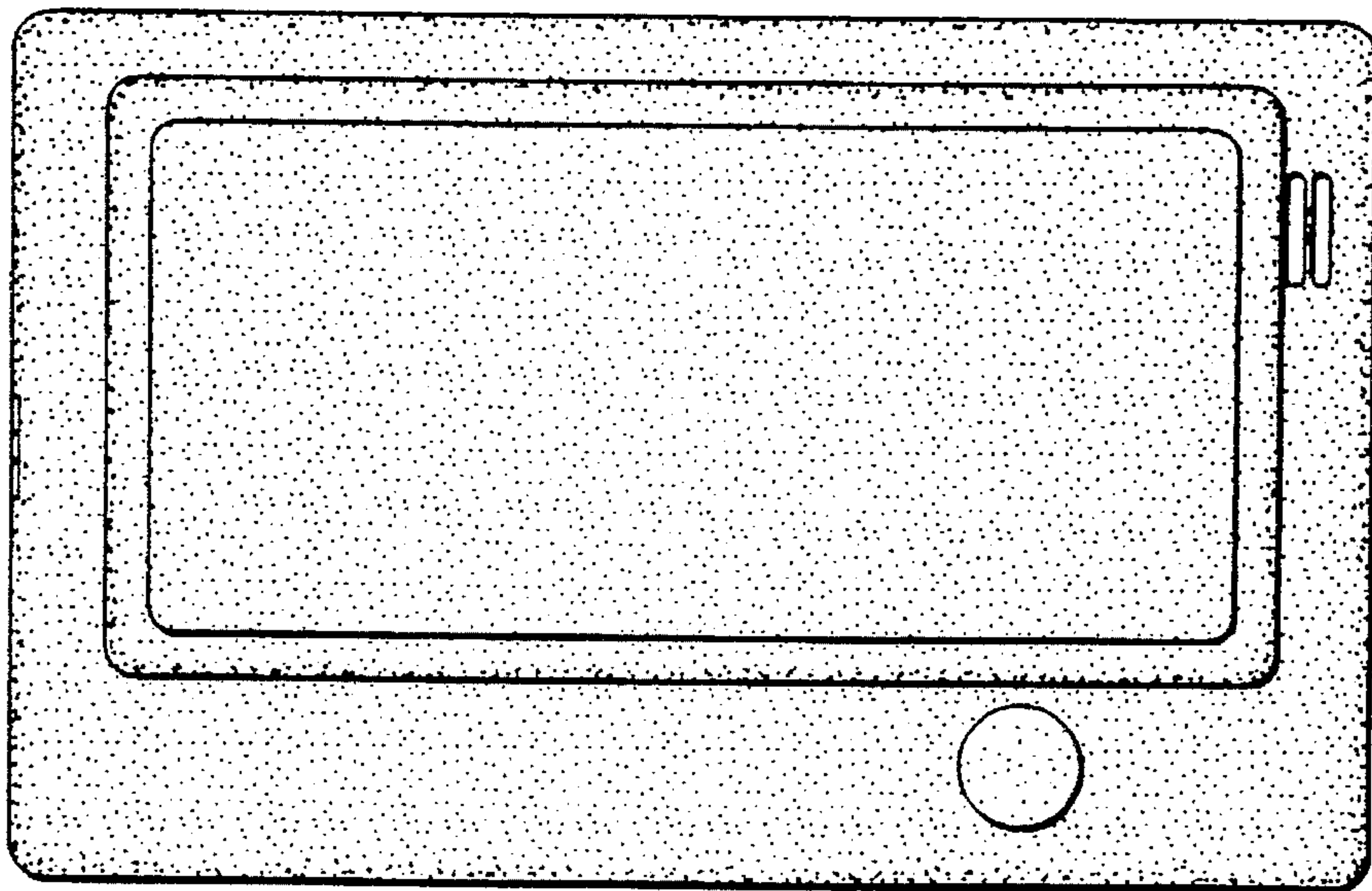


Fig. 9