



US00D366840S

United States Patent [19]

Schagerström et al.

[11] Patent Number: **Des. 366,840**

[45] Date of Patent: ****Feb. 6, 1996**

[54] MEASURING TUBE

[76] Inventors: **Tonie Schagerström**, P.O. Box 442,
S-751 06 Uppsala; **Pär Eriksson**,
Molngatan 6, S-754 31 Uppsala;
Anders Olsson, Jakobsbergsgatan 18B,
S-733 34 Sala, all of Sweden

[**] Term: **14 Years**

[21] Appl. No.: **19,779**

[22] Filed: **Mar. 11, 1994**

[30] Foreign Application Priority Data

Sep. 14, 1993 [SE] Sweden 93-2023

[52] U.S. Cl. **D10/46.2**; D24/224

[58] Field of Search D10/46.2, 46.3;
D24/224; 73/426-428; 222/23, 49, 50,
158

[56] References Cited

U.S. PATENT DOCUMENTS

D. 244,554 5/1977 Jones et al. D24/224

D. 289,960	5/1987	Eicher et al.	D10/46.2
831,939	9/1906	Deming	D10/46.2 X
2,839,928	6/1958	Fohrman	D10/46.2 X
2,898,762	8/1959	Harrison et al.	73/426
4,587,846	5/1986	Coma Julia	73/426
4,721,393	1/1988	Kwast	73/426 X
4,948,016	8/1990	Summons et al.	222/158

Primary Examiner—Terry A. Wallace
Attorney, Agent, or Firm—Young & Thompson

[57] CLAIM

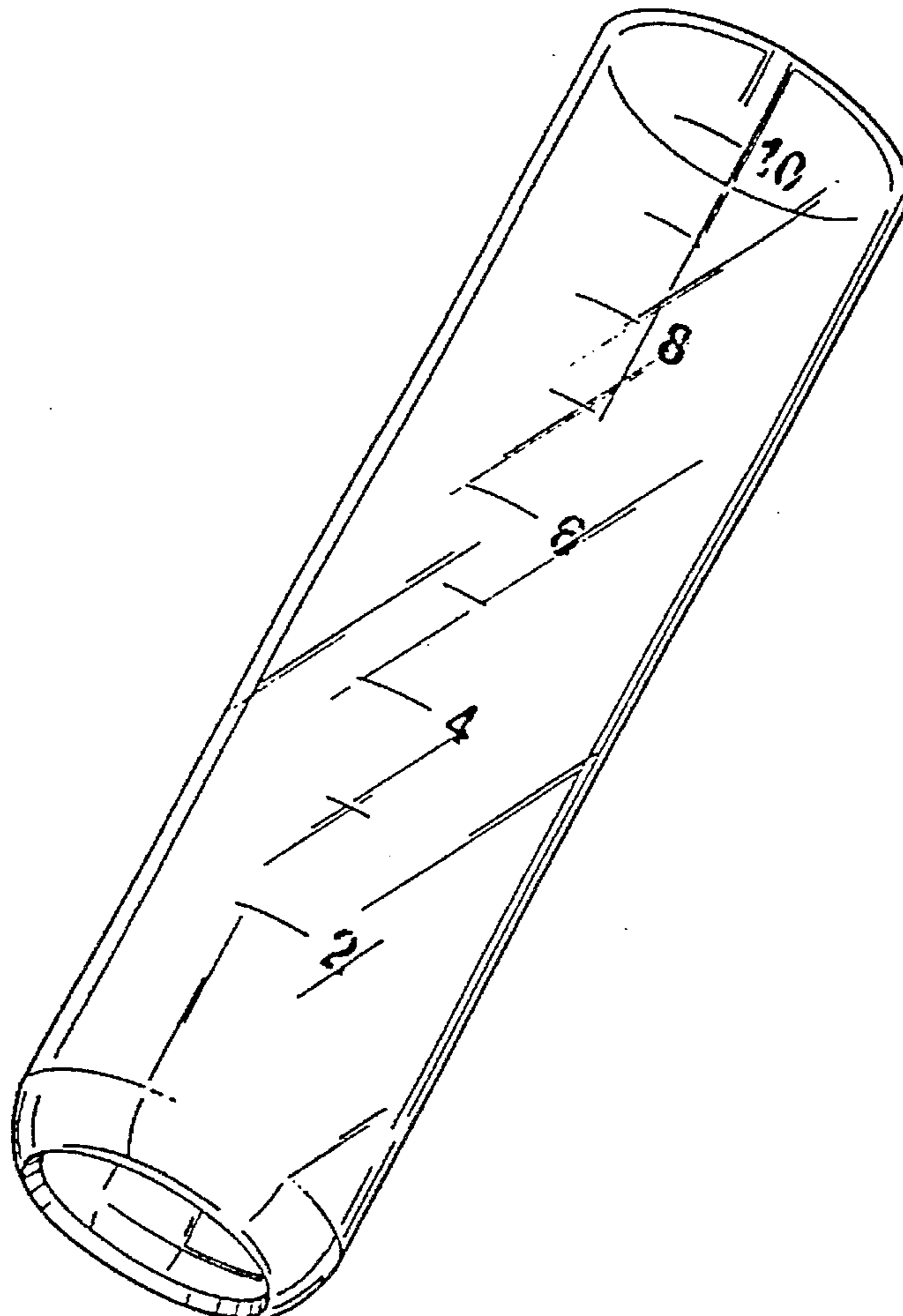
The ornamental design for a measuring tube, as shown.

DESCRIPTION

FIG. 1 is a bottom perspective view of a measuring tube showing our new design; and,

FIG. 2 is a bottom plan view thereof.

1 Claim, 1 Drawing Sheet



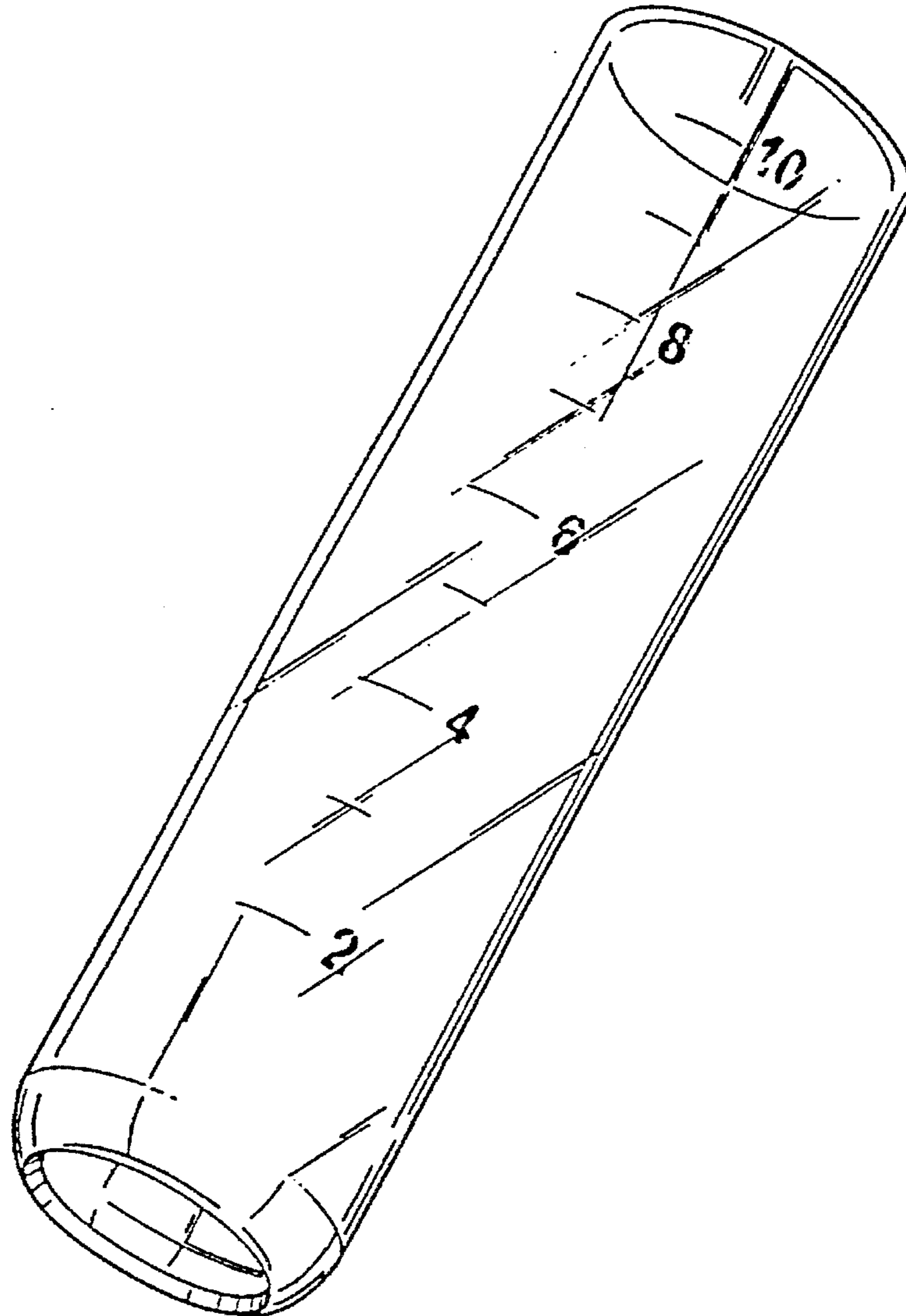


FIG. 1

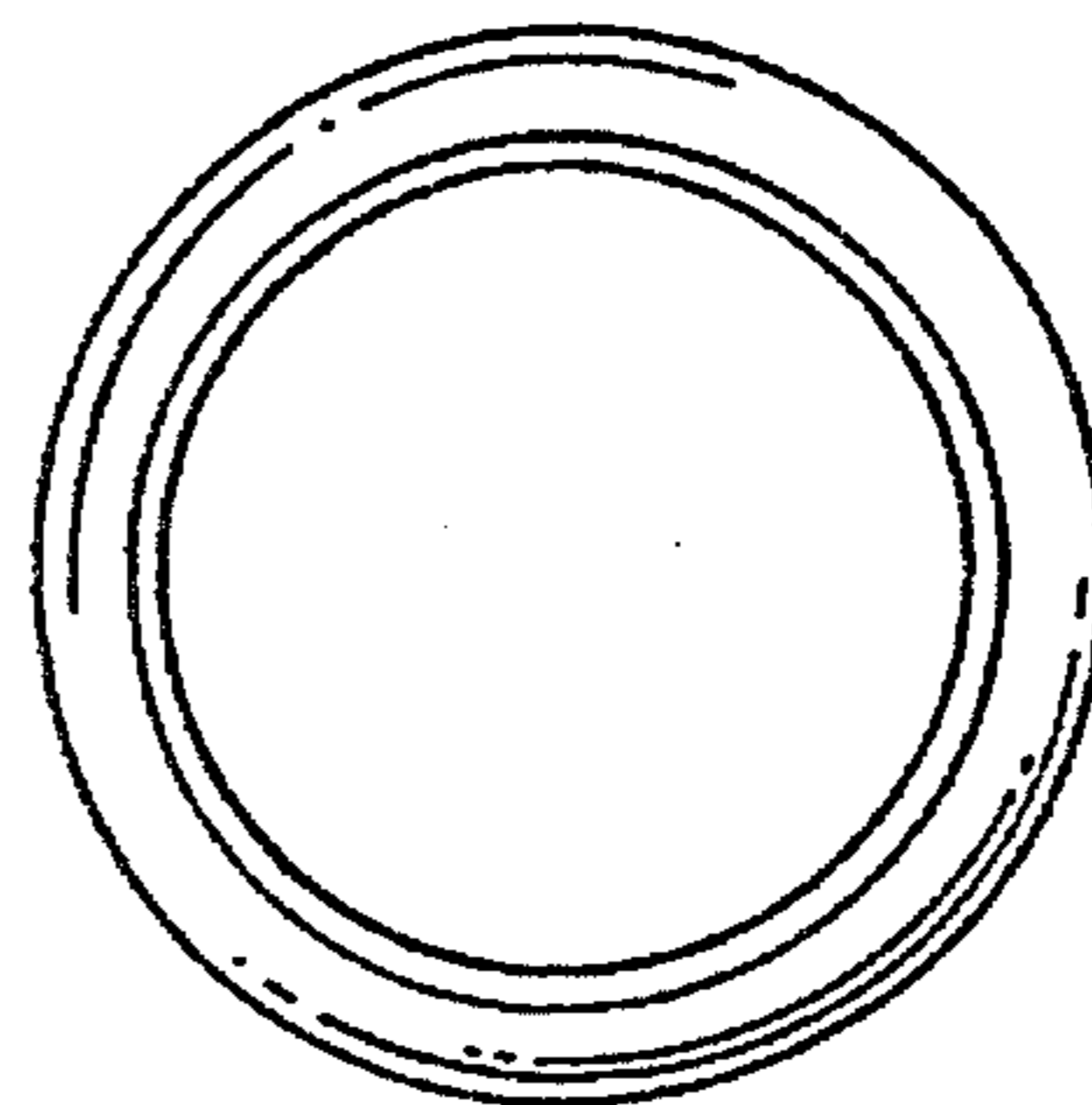


FIG. 2