



US00D366838S

United States Patent [19] Cousins

[11] Patent Number: **Des. 366,838**

[45] Date of Patent: ****Feb. 6, 1996**

[54] **KITCHEN TIMER**

[75] Inventor: **Morison S. Cousins**, Winter Park, Fla.

[73] Assignee: **Dart Industries Inc.**, Deerfield, Ill.

[**] Term: **14 Years**

[21] Appl. No.: **24,273**

[22] Filed: **Jun. 17, 1994**

[52] U.S. Cl. **D10/40**

[58] Field of Search D10/1-39, 40,
D10/122-132; 368/97-100, 107-121, 285,
316-317

D. 337,532	7/1993	Wills	D10/40
D. 354,004	1/1995	Brown	D10/23
2,577,004	12/1951	Darnell	368/98 X
2,778,418	1/1957	Laviana	368/98 X
4,888,748	12/1989	Lagasse et al.	..	

FOREIGN PATENT DOCUMENTS

0027354 9/1993 WIPO D10/40

Primary Examiner—Nelson C. Holtje
Attorney, Agent, or Firm—John A. Doninger

[57] CLAIM

The ornamental design for a kitchen timer, as shown.

DESCRIPTION

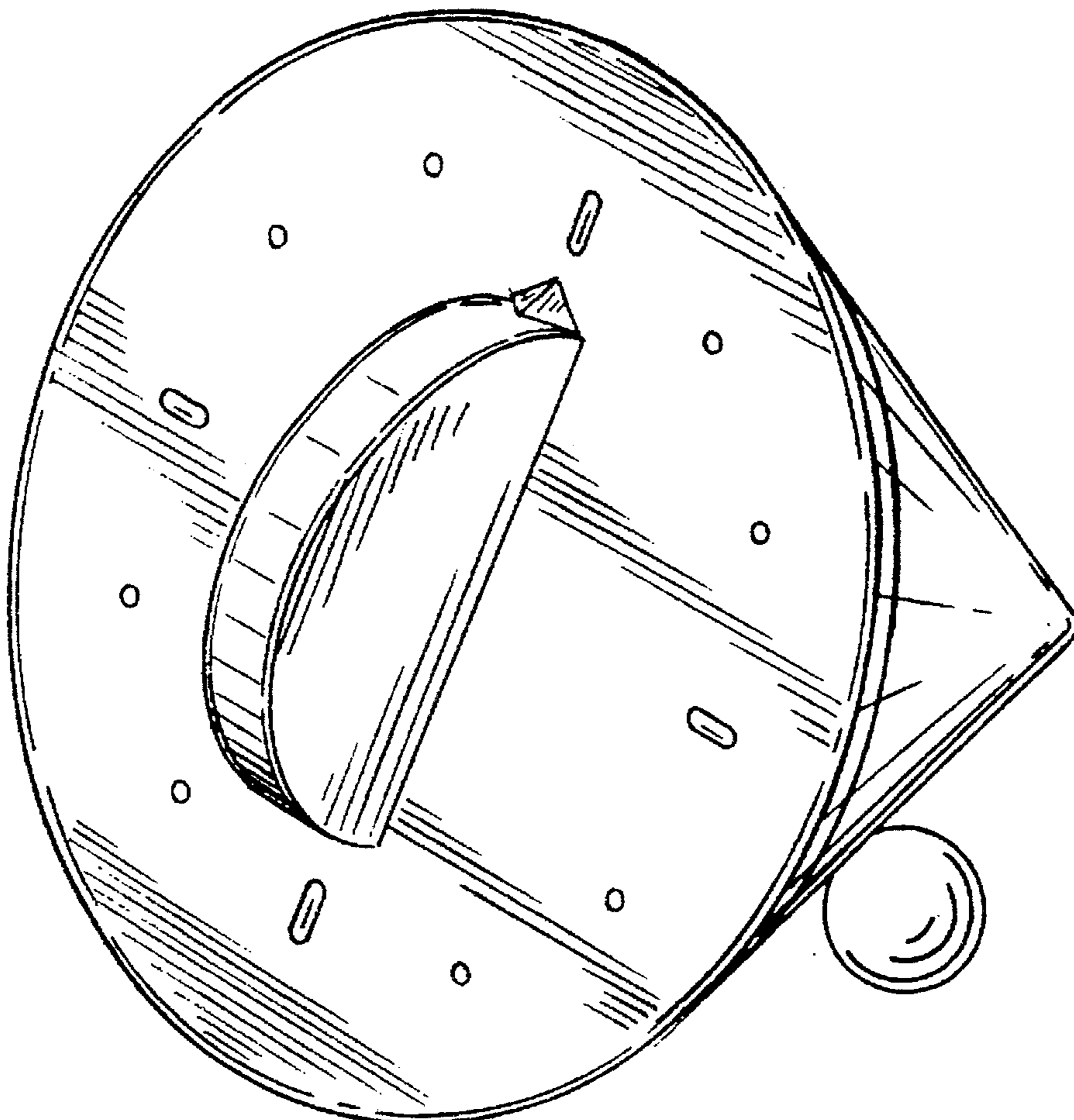
FIG. 1 is a front and right side perspective view of a kitchen timer showing my new design;
FIG. 2 is a front elevation view thereof;
FIG. 3 is a rear elevation view thereof;
FIG. 4 is a top view thereof;
FIG. 5 is a bottom view thereof;
FIG. 6 is a right side elevation view thereof; and,
FIG. 7 is a left side elevation view thereof.

1 Claim, 3 Drawing Sheets

[56] References Cited

U.S. PATENT DOCUMENTS

D. 157,882	3/1950	Lux	D10/40
D. 163,133	3/1950	Ormas, Jr.		
D. 166,764	5/1952	Lux	D10/40
D. 180,547	7/1957	Crouse	D10/40
D. 184,300	1/1959	Boldt		
D. 205,856	9/1966	Beerbaum	D10/40
D. 208,999	10/1967	Staiger	D10/40
D. 287,699	1/1987	Morris	D10/40
D. 332,407	1/1993	Giordano	D10/22



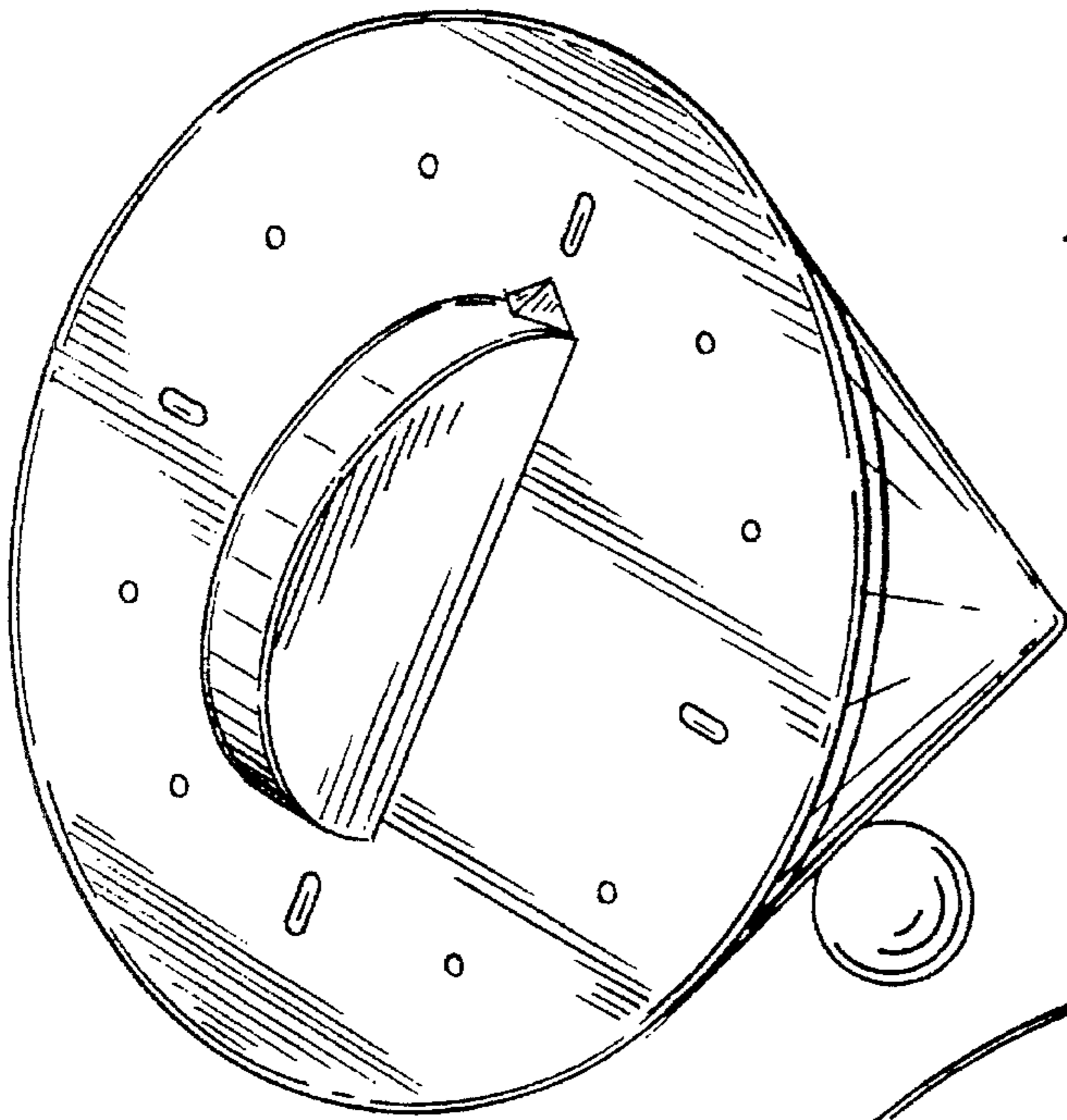


FIG. 1

FIG. 2

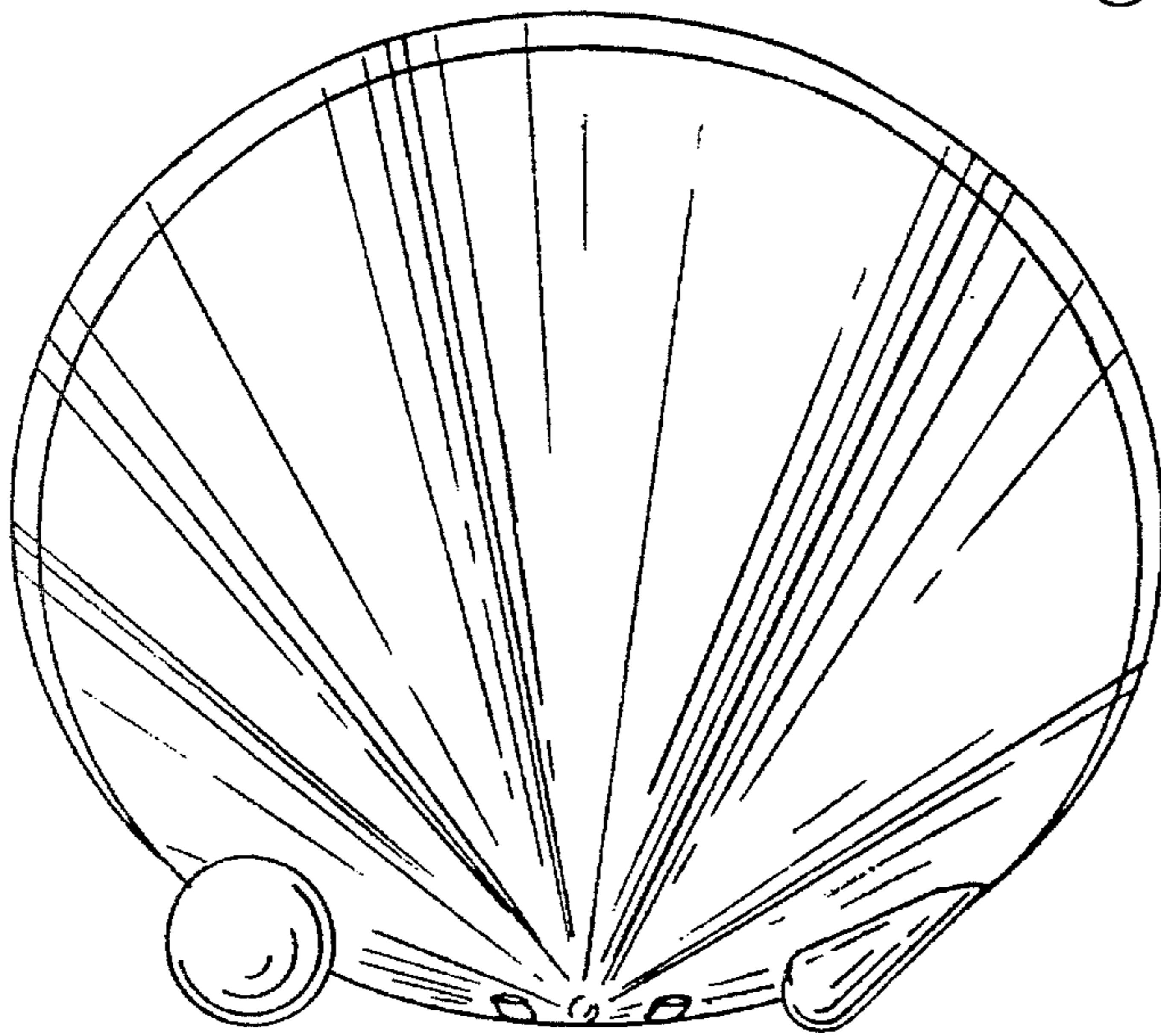
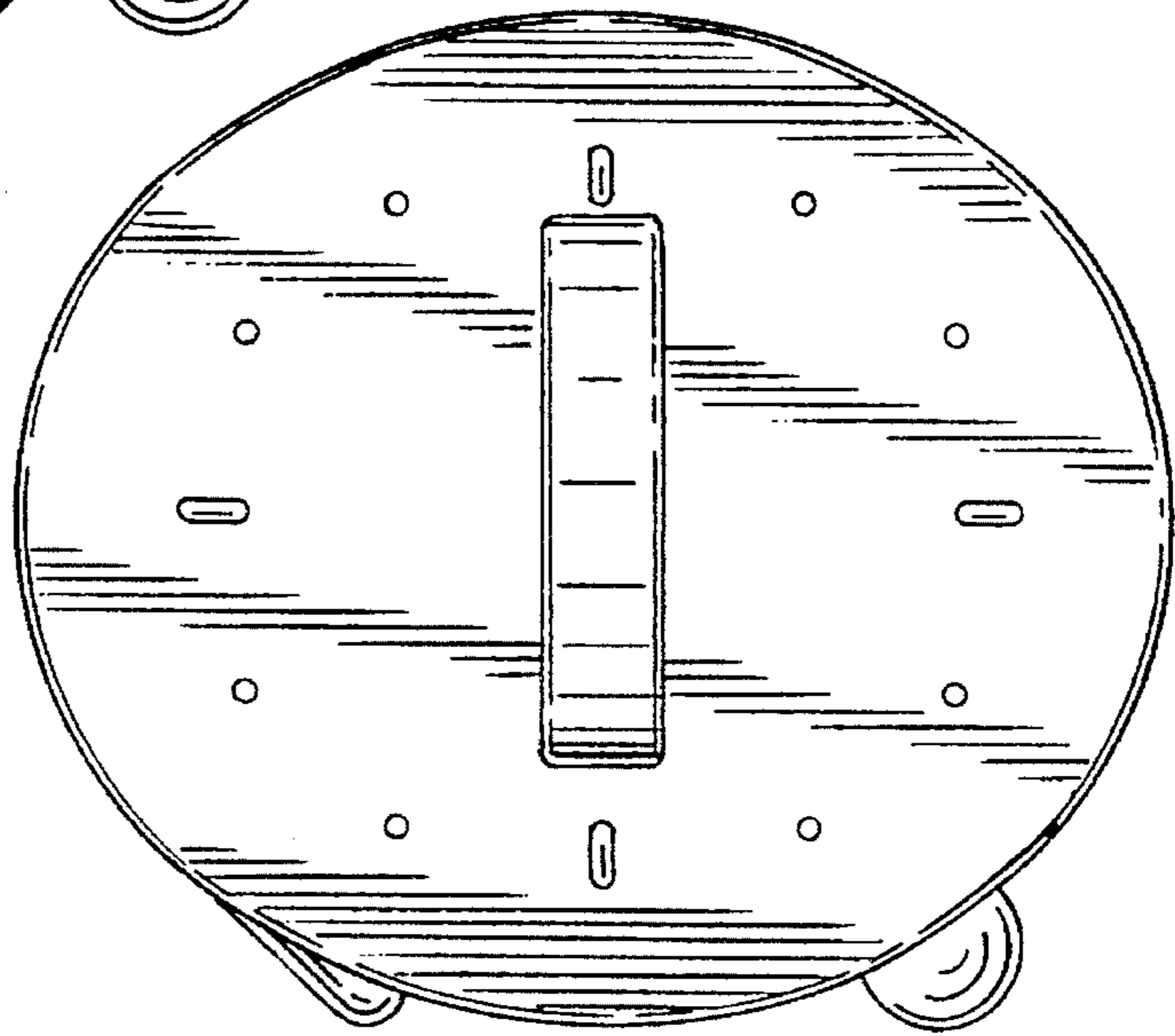


FIG. 3

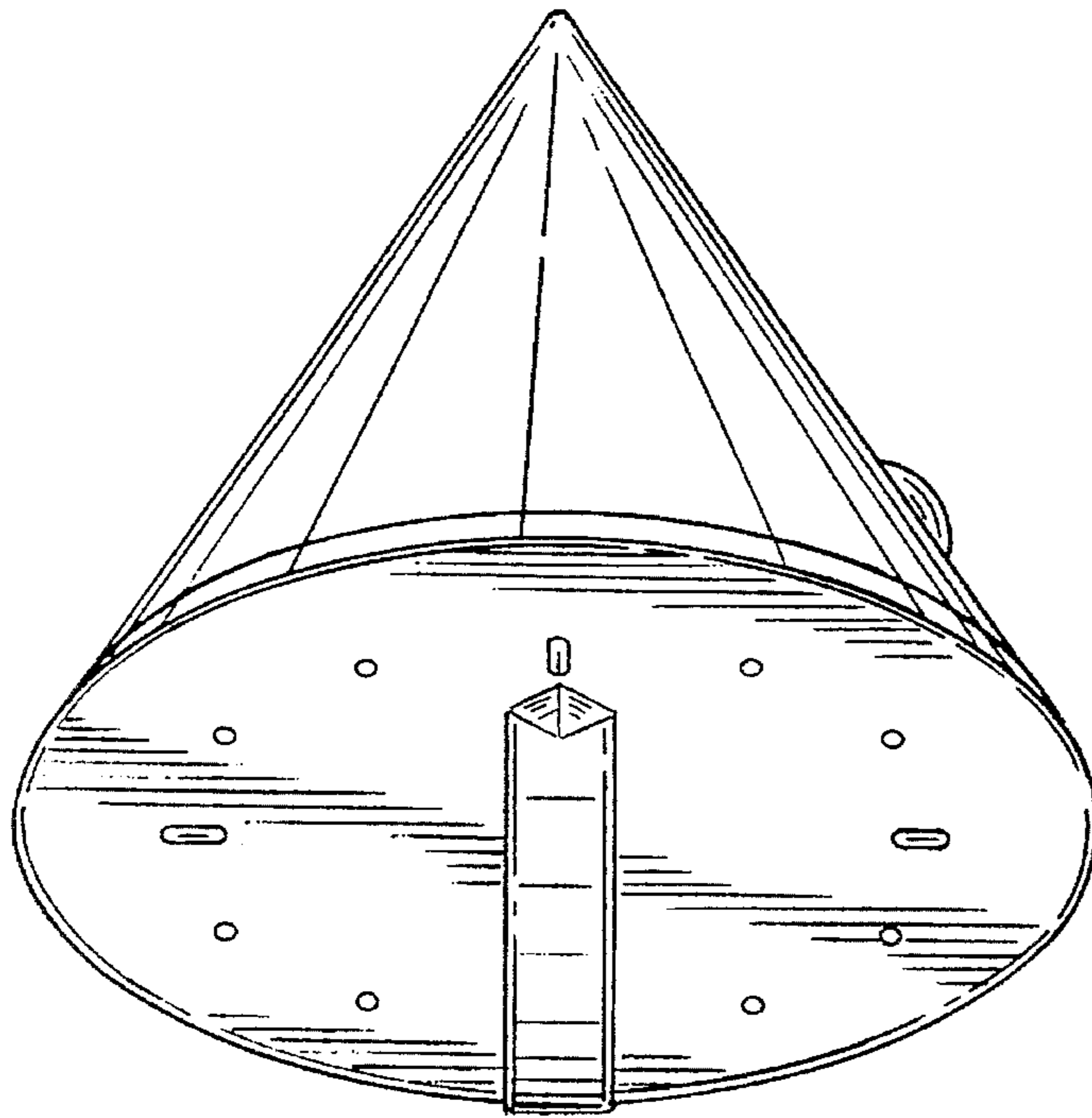


FIG. 4

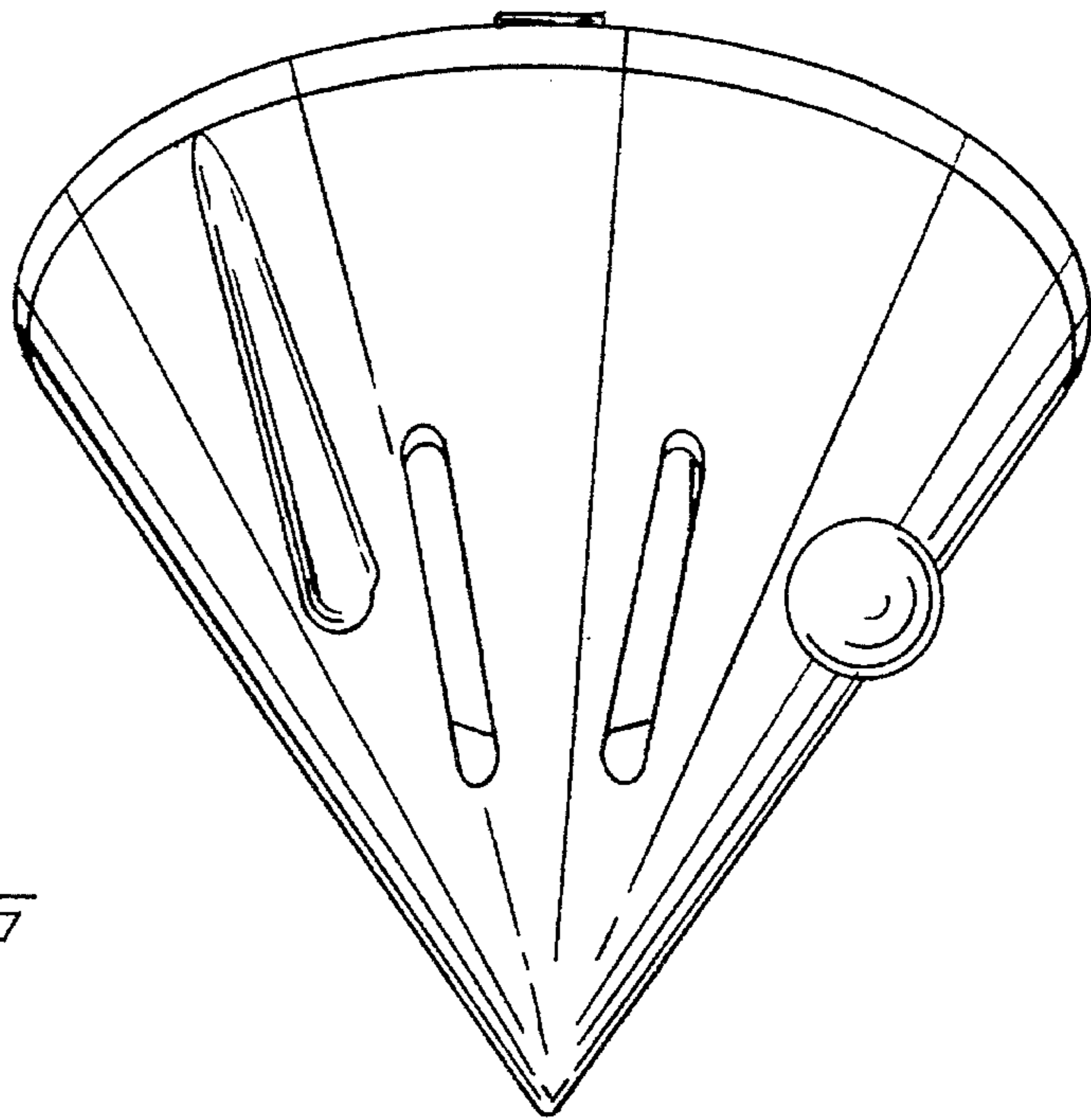


FIG. 5

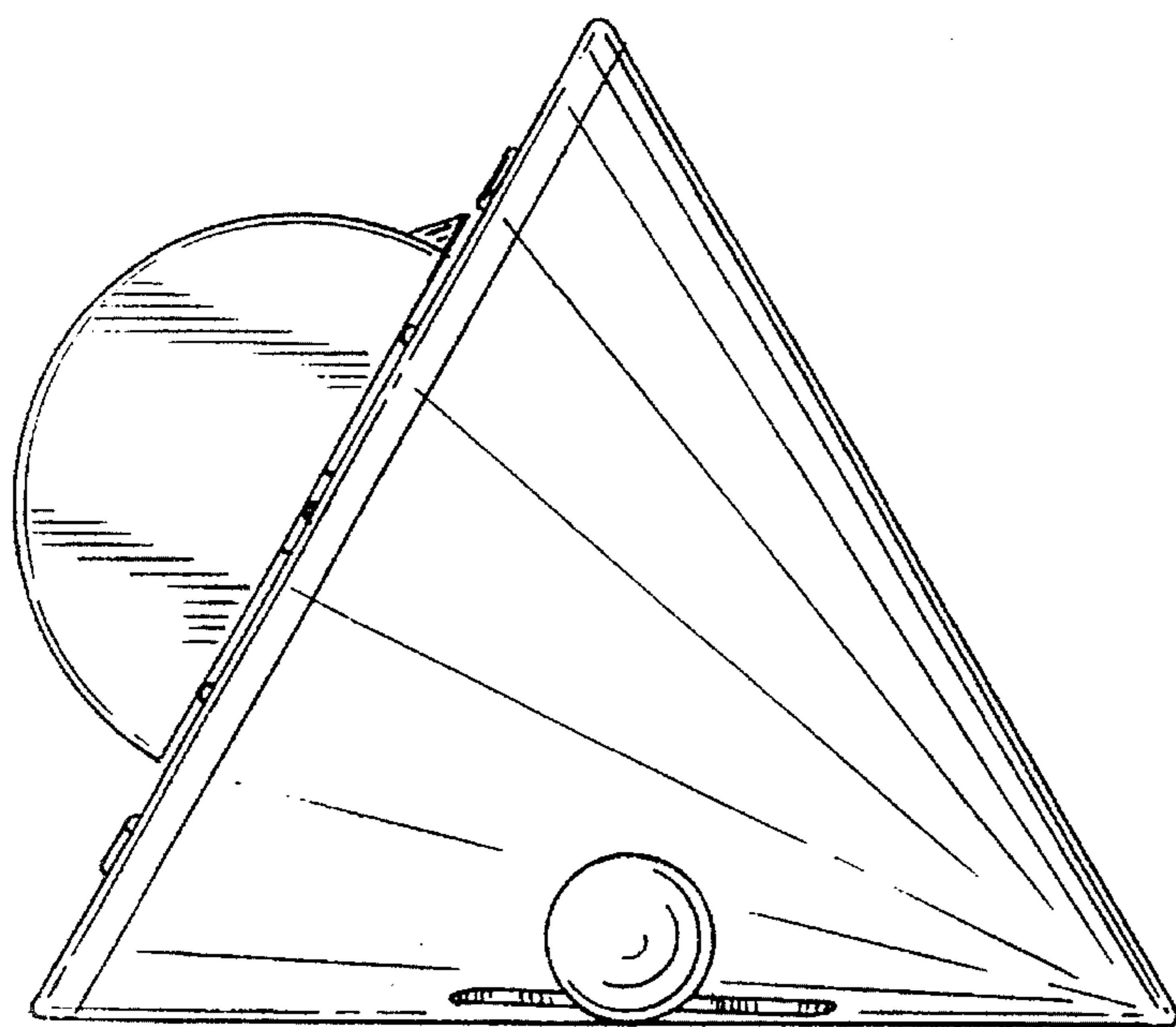


FIG. 6

FIG. 7

