



US00D366835S

United States Patent [19] Sell

[11] Patent Number: **Des. 366,835**

[45] Date of Patent: ****Feb. 6, 1996**

[54] **CLOCK**

[75] Inventor: **Anthony Sell**, Crystal Lake, Ill.

[73] Assignee: **Spartus Home Furnishings**, Arlington Heights, Ill.

[**] Term: **14 Years**

[21] Appl. No.: **28,036**

[22] Filed: **Sep. 2, 1994**

D. 203,126	12/1965	Schlenker	D10/18
D. 247,740	4/1978	Brady	D10/18
D. 320,351	10/1991	Dingstad	D10/22
D. 328,035	7/1992	Benton	D10/21
5,365,499	11/1994	Sell	368/262

Primary Examiner—Nelson C. Holtje
Attorney, Agent, or Firm—Seidel Gonda Lavorgna & Monaco

Related U.S. Application Data

[63] Continuation-in-part of Ser. No. 21,648, Apr. 21, 1994.

[52] **U.S. Cl.** **D10/15**

[58] **Field of Search** D10/1-40, 122-132;
368/280-282, 276-277, 28-30, 285, 239-292,
82-84, 41-44

[56] References Cited

U.S. PATENT DOCUMENTS

D. 97,006	9/1935	Flier	D9/423
D. 149,792	6/1948	Braun	D9/423

[57] CLAIM

The ornamental design of a clock, as shown and described.

DESCRIPTION

FIG. 1 is an isometric view of an embodiment of a clock according to my invention with the lid closed;
 FIG. 2 is a rear elevational view of the clock of FIG. 1, the front elevational view being the same;
 FIG. 3 is a side elevational view of the clock of FIG. 1, the opposite side view being the same;
 FIG. 4 is a top plan view of the clock of FIG. 1;
 FIG. 5 is a bottom plan view of the clock of FIG. 1;
 FIG. 6 is a front view of the clock of FIG. 1;
 FIG. 7 is an isometric view of FIG. 1, with the lid raised.

1 Claim, 3 Drawing Sheets

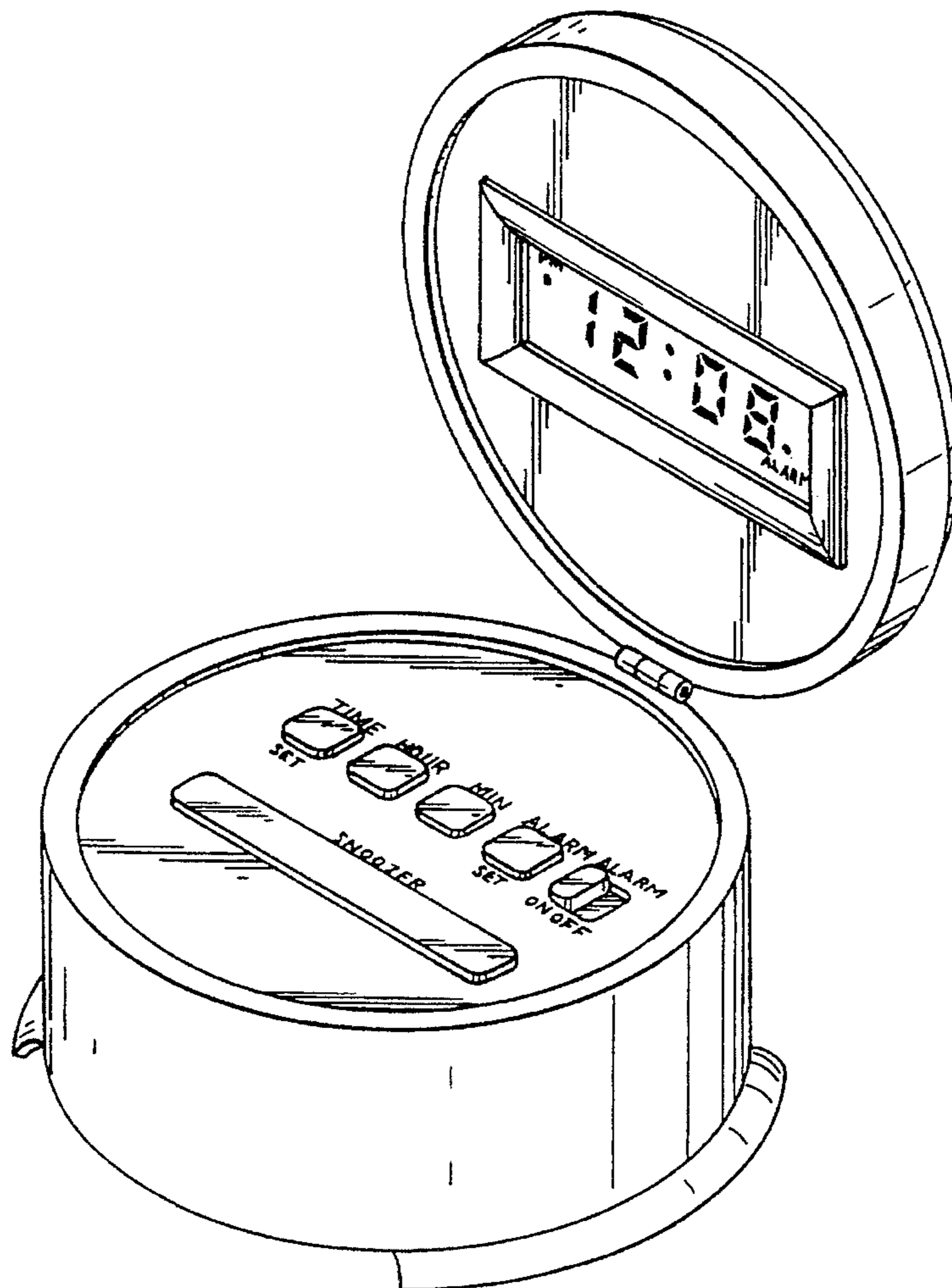


FIG. 1

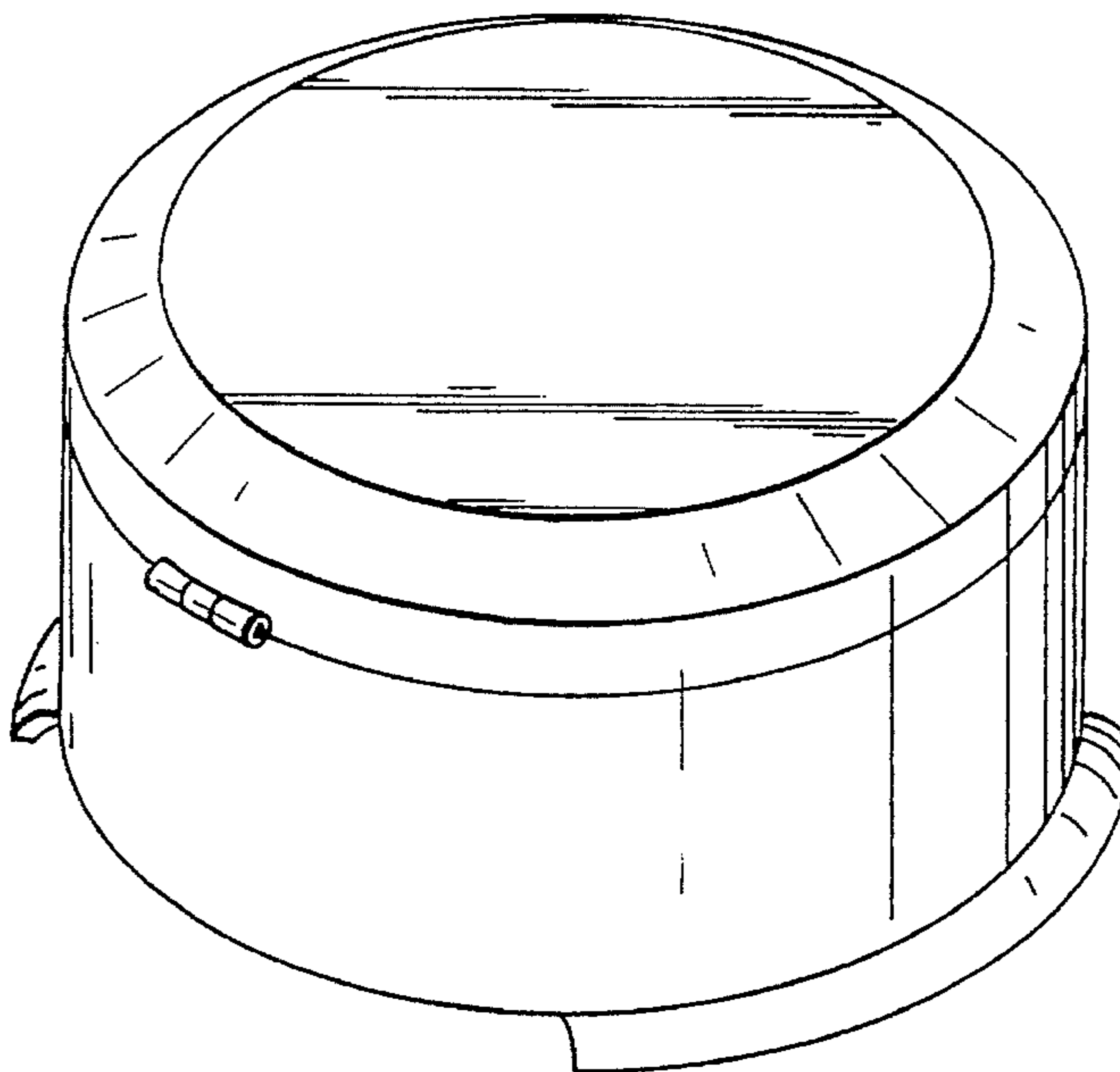


FIG. 2

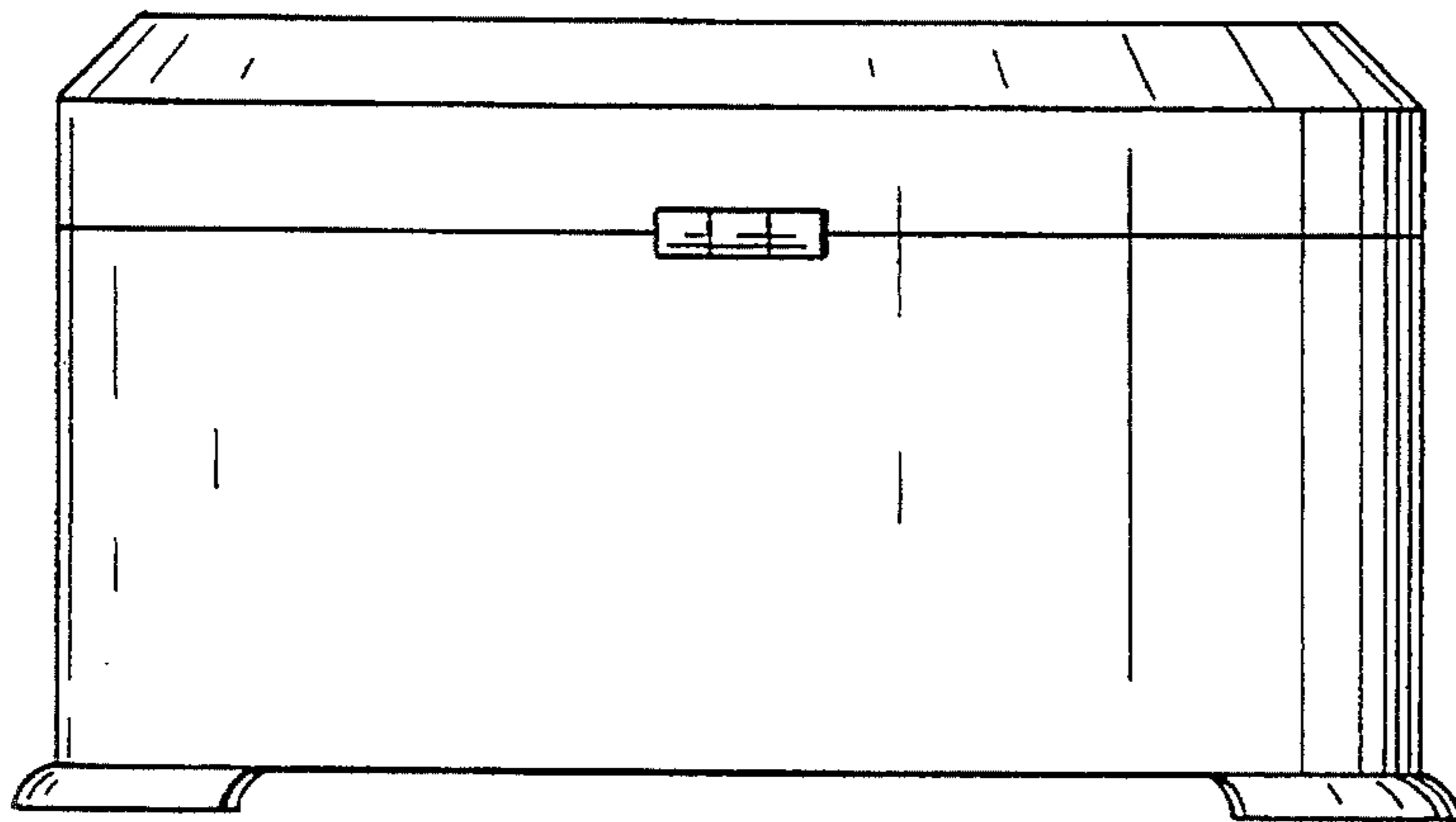


FIG. 3

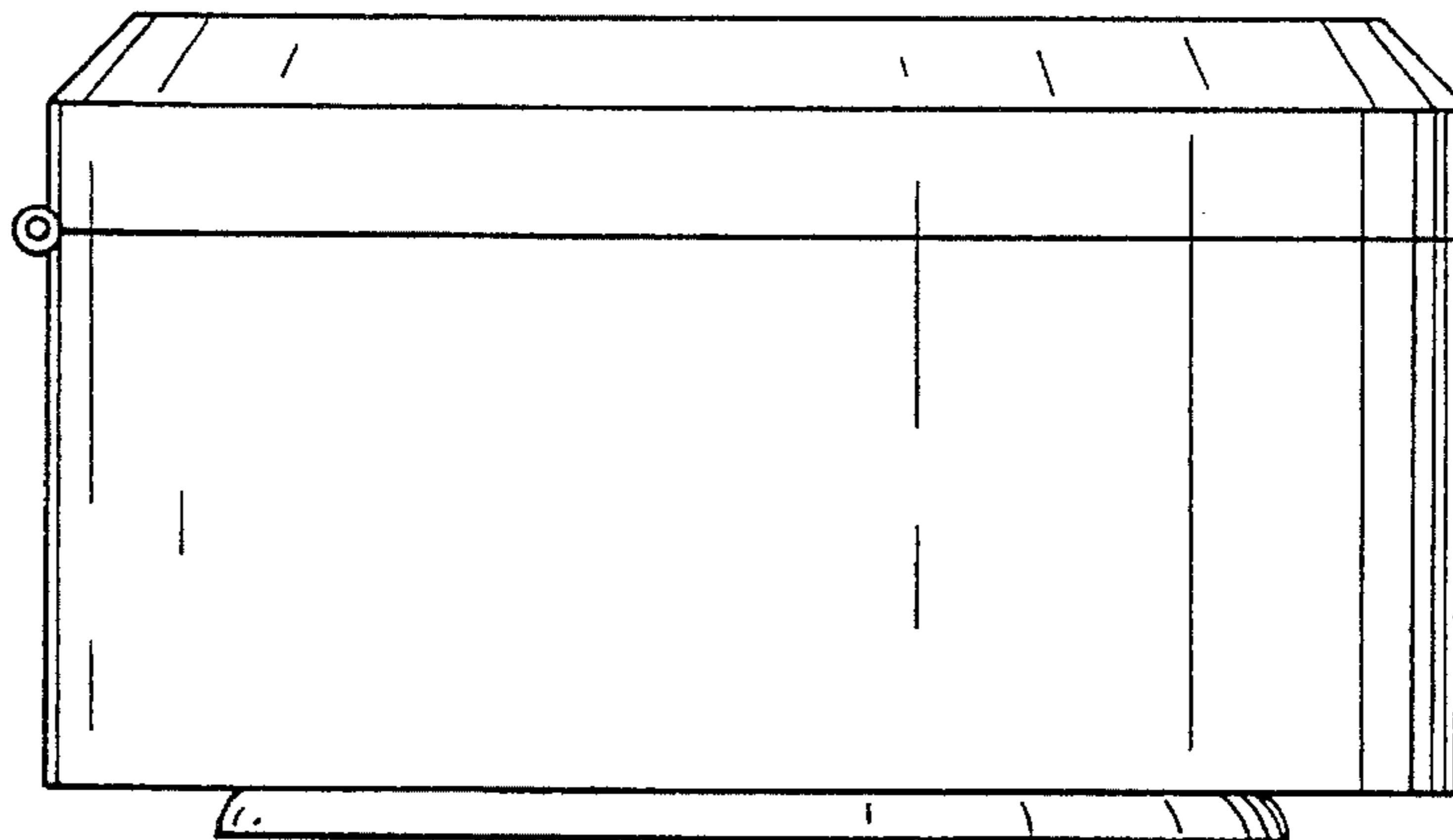


FIG. 4

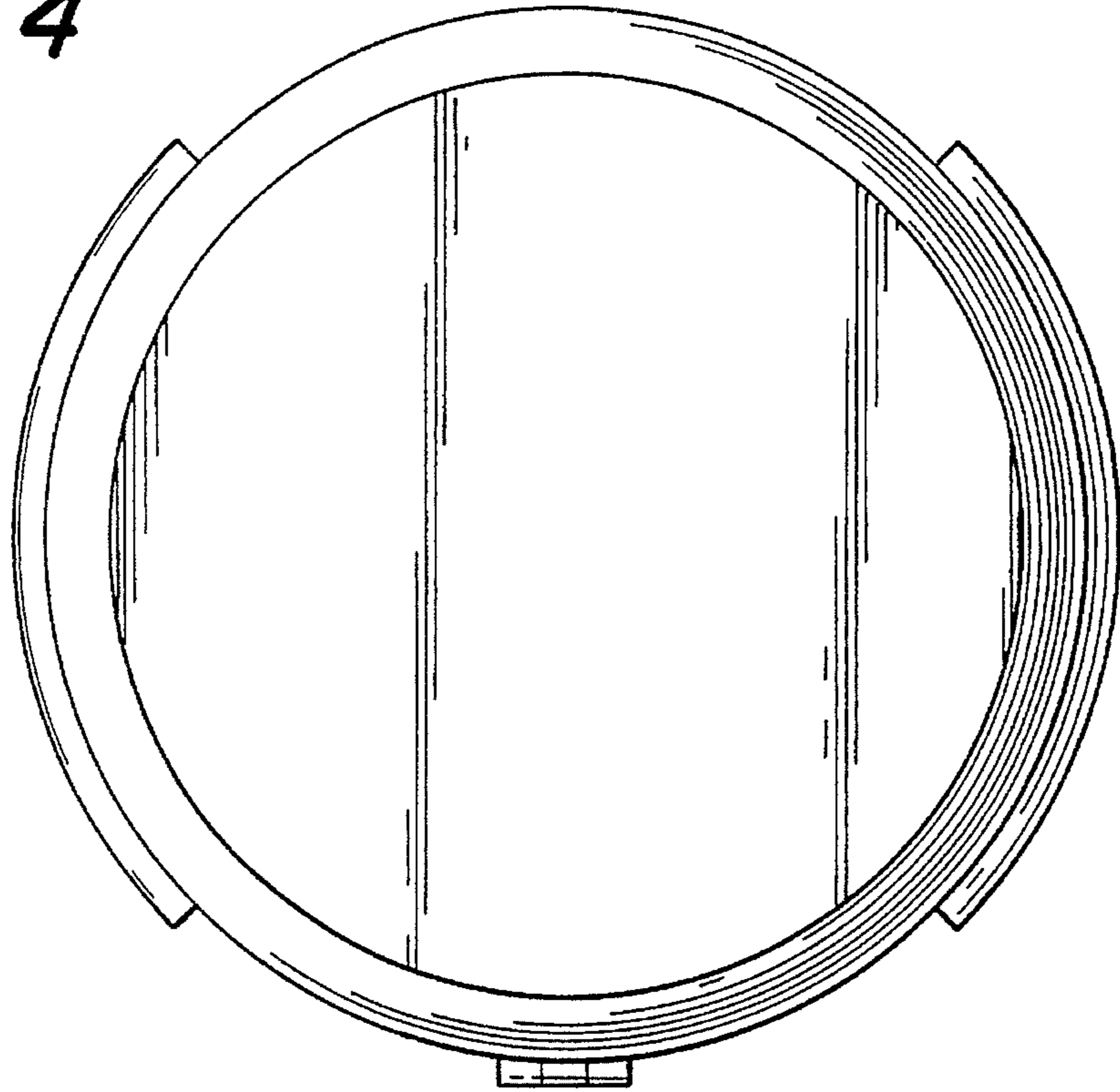


FIG. 5

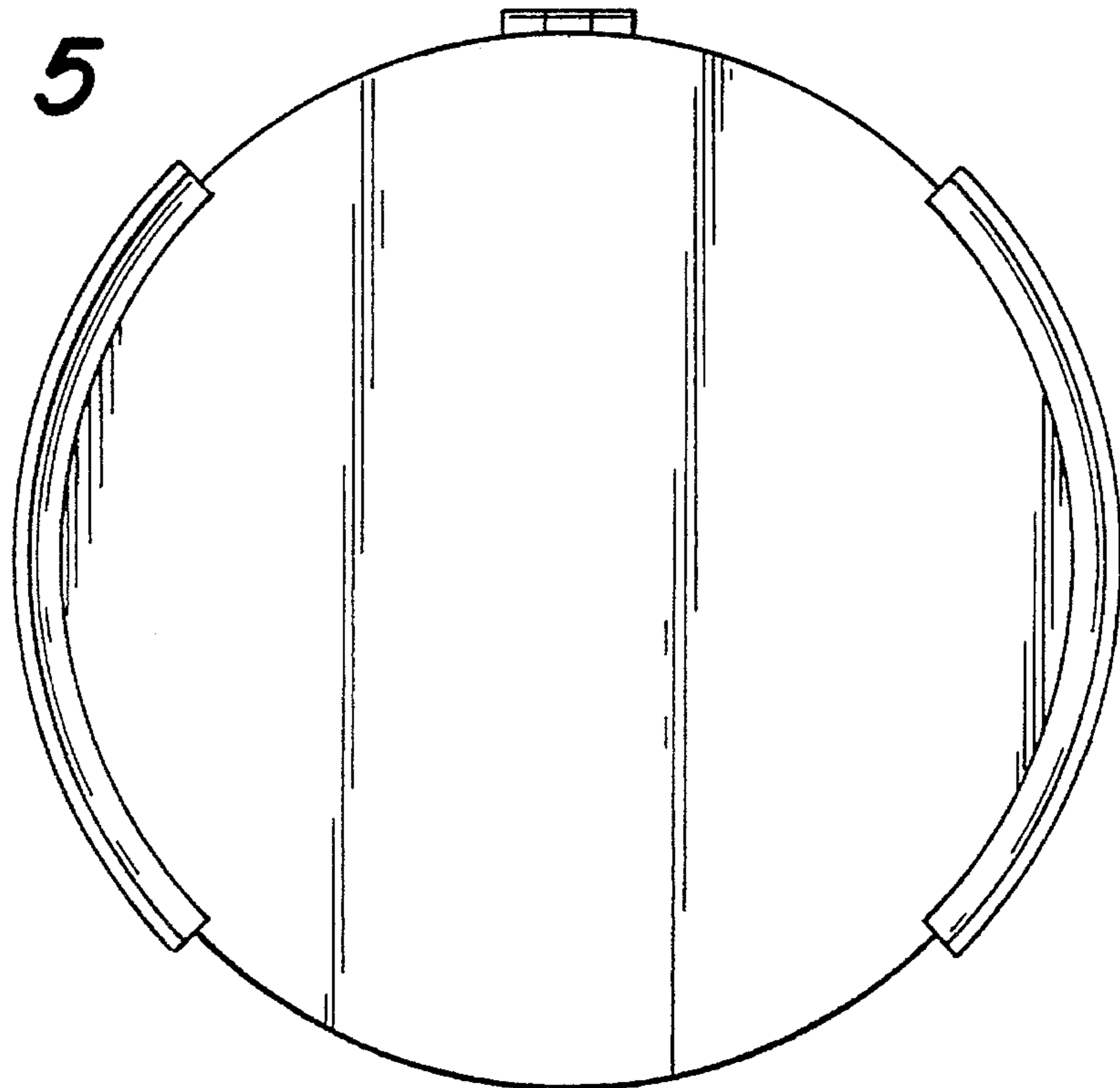


FIG. 6

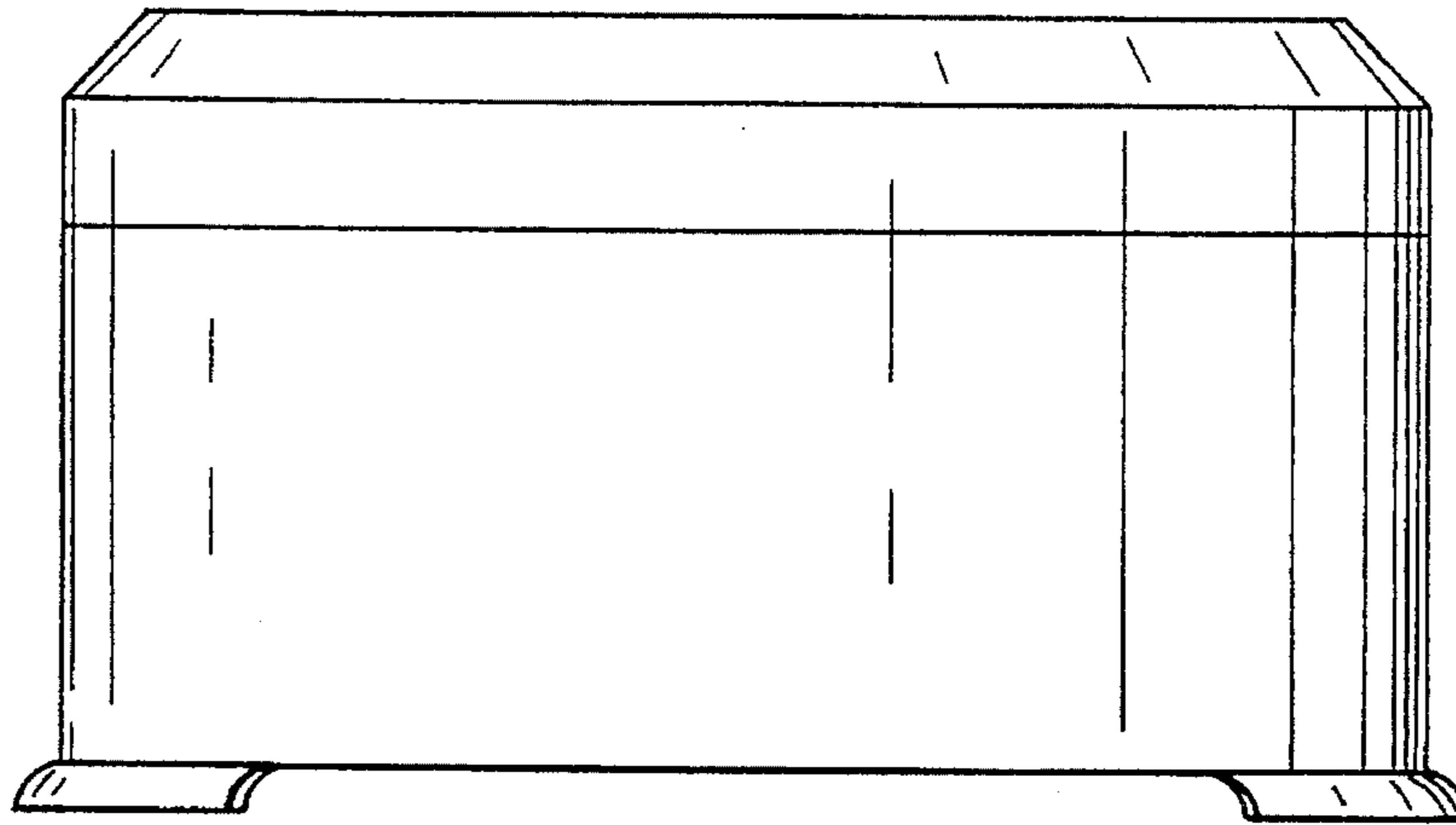


FIG. 7

