



US00D366834S

United States Patent [19] Reid

[11] Patent Number: **Des. 366,834**

[45] Date of Patent: ****Feb. 6, 1996**

[54] **DISPENSER SPOUT**

[75] Inventor: **Mary J. Reid**, Sheboygan, Wis.

[73] Assignee: **Kohler Co.**, Kohler, Wis.

[**] Term: **14 Years**

[21] Appl. No.: **35,272**

[22] Filed: **Feb. 23, 1995**

[52] U.S. Cl. **D9/447**

[58] Field of Search D9/300, 434-436,
D9/440, 447-449, 499, 503; D23/255; 222/153,
383, 400.5, 401, 402.13, 566, 631

[56] **References Cited**

U.S. PATENT DOCUMENTS

D. 121,300	7/1940	Levy et al.	D9/300
D. 188,527	8/1960	Becker	D9/300
D. 247,940	5/1978	Tobin	D9/300
D. 284,553	7/1986	Collister	D9/435
D. 286,374	10/1986	Bussell	D9/300
D. 287,462	12/1986	Bussell	D9/300
3,368,302	2/1968	Martino	222/566
5,427,284	6/1995	Inch	222/566

FOREIGN PATENT DOCUMENTS

648466A	2/1994	Japan	222/400.05
---------	--------	-------------	------------

OTHER PUBLICATIONS

Coster Pump Spout advertisement, Coster Tecnologie Speciali S.p.A., *Aerosol Age Magazine*, Jan. 1989, p. 7. Located in examiner's office (D9 Box 1).

"The Lablabo Mushroom" advertisement, *Aerosol Age Magazine*, Apr. 1984, p. 47. Located in examiner's office (D9 Box 1).

Undated Delta ad showing RP1000 soap/lotion dispensers, admitted prior art.

Undated Moen ad showing a liquid dispenser, admitted prior art.

Undated Kohler ad showing a Bravura drain knob, admitted prior art.

Undated Kohler ad showing a Taboret faucet base, admitted prior art.

Primary Examiner—Alan P. Douglas
Assistant Examiner—Robert M. Spear
Attorney, Agent, or Firm—Quarles & Brady

[57] **CLAIM**

The ornamental design for a dispenser spout, as shown and described.

DESCRIPTION

FIG. 1 is a left, top, frontal perspective view of a dispenser spout embodying my new design;

FIG. 2 is a left side elevational view thereof, which is a mirror image of the right side elevational view;

FIG. 3 is a front elevational view thereof;

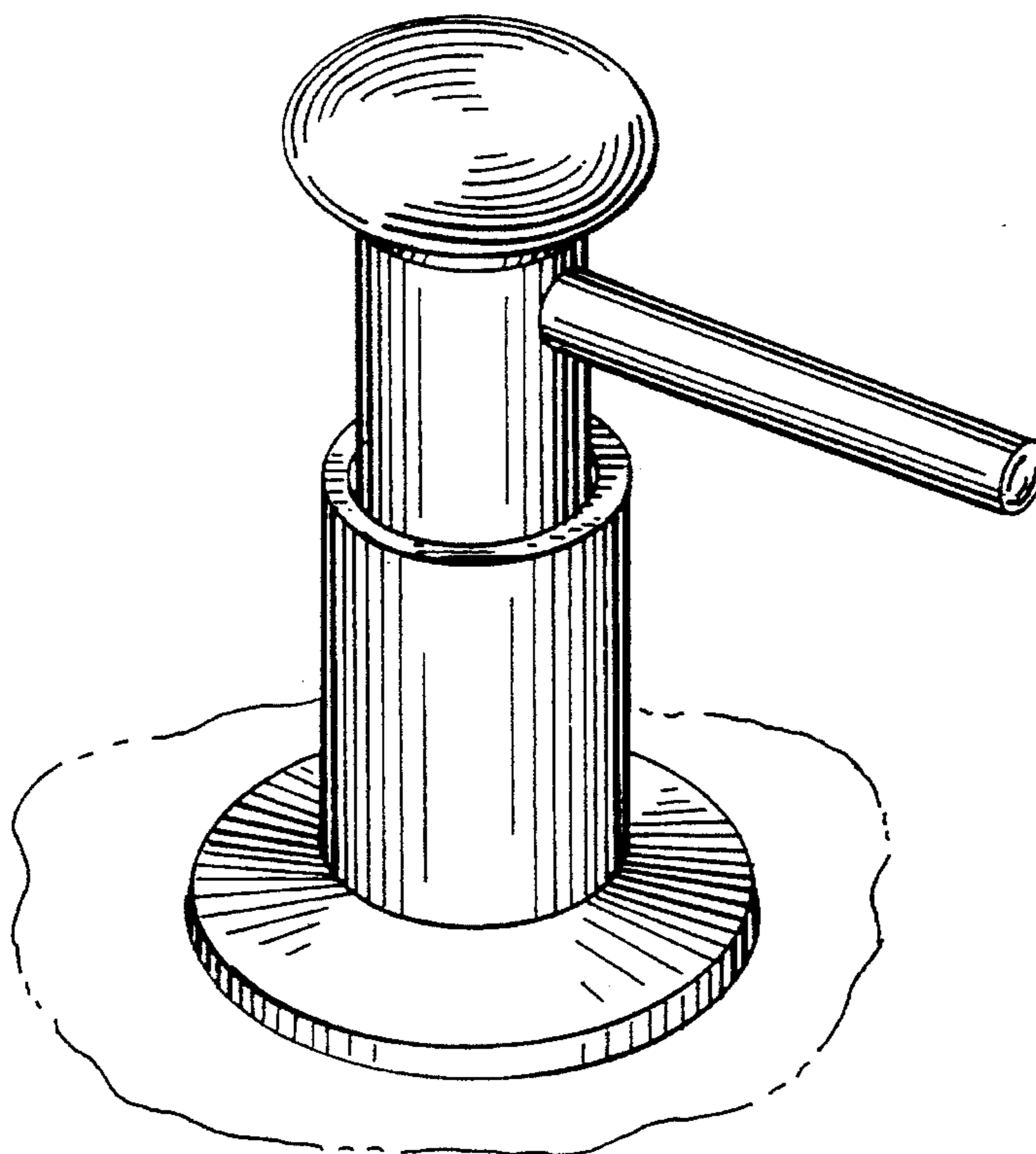
FIG. 4 is a rear elevational view thereof;

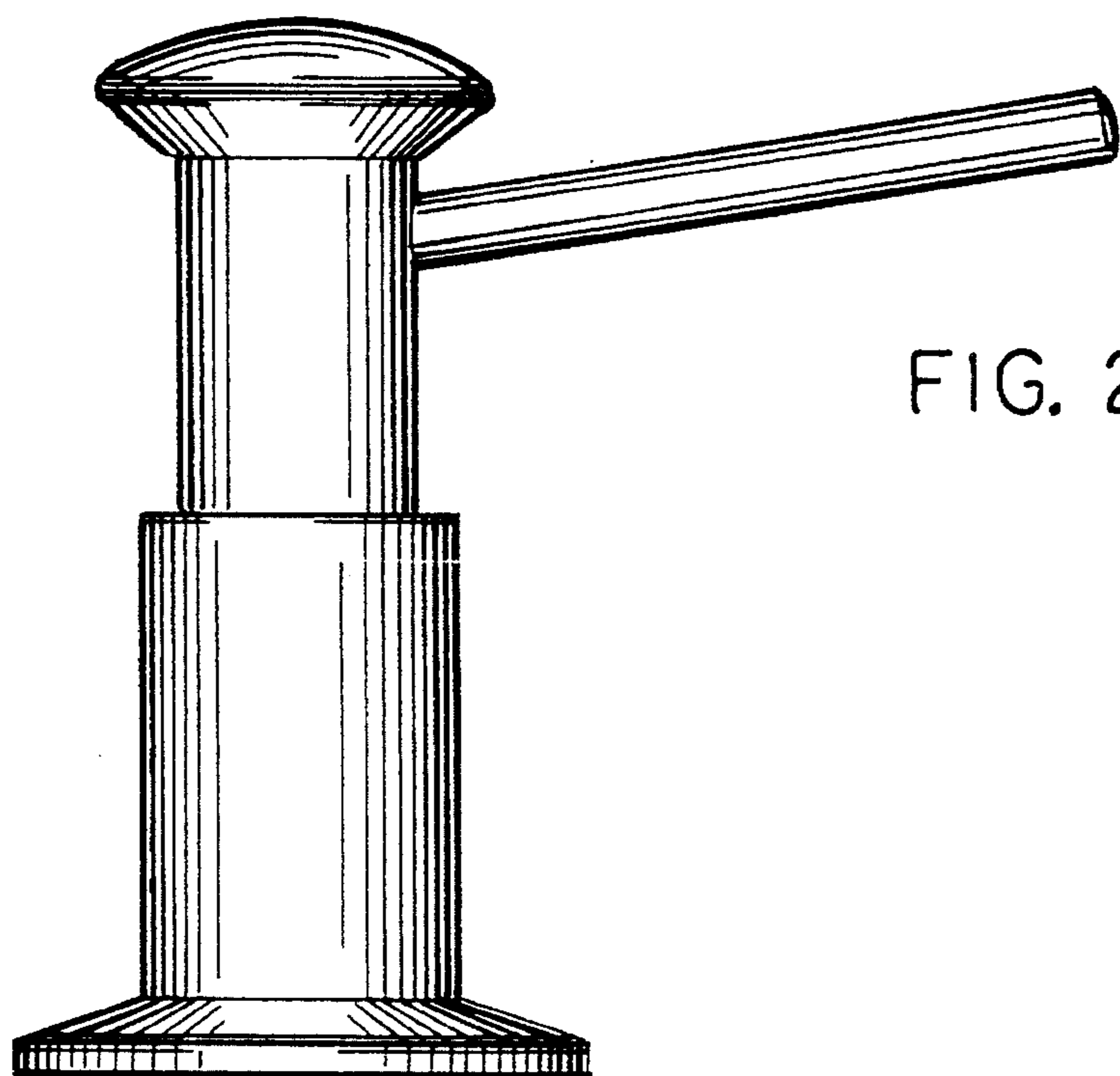
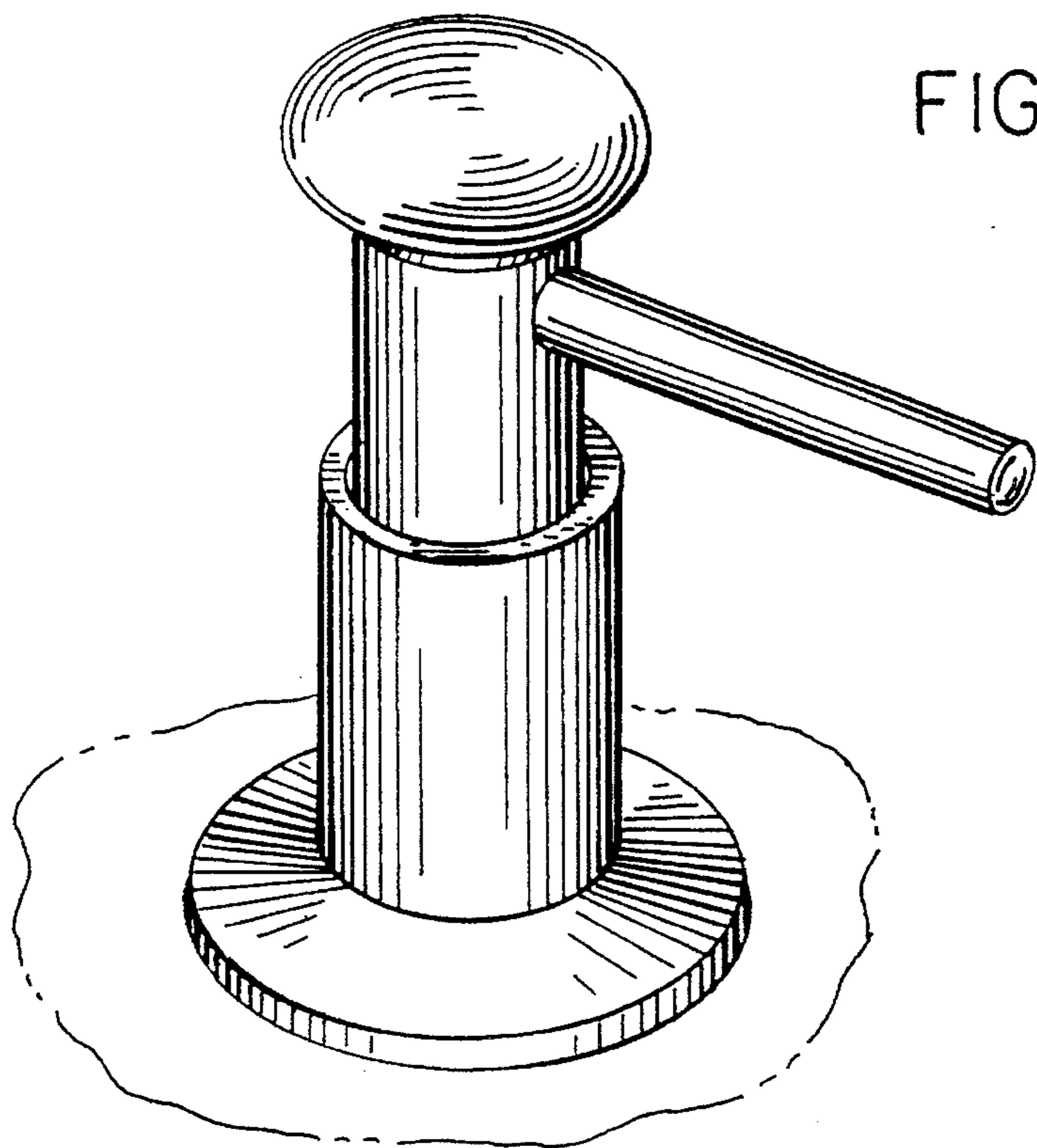
FIG. 5 is a top plan view thereof; and,

FIG. 6 is a bottom plan view thereof.

The fragmentary broken line representation of a counter top in FIG. 1 is for purposes of illustration only, and forms no part of the claimed design.

1 Claim, 2 Drawing Sheets





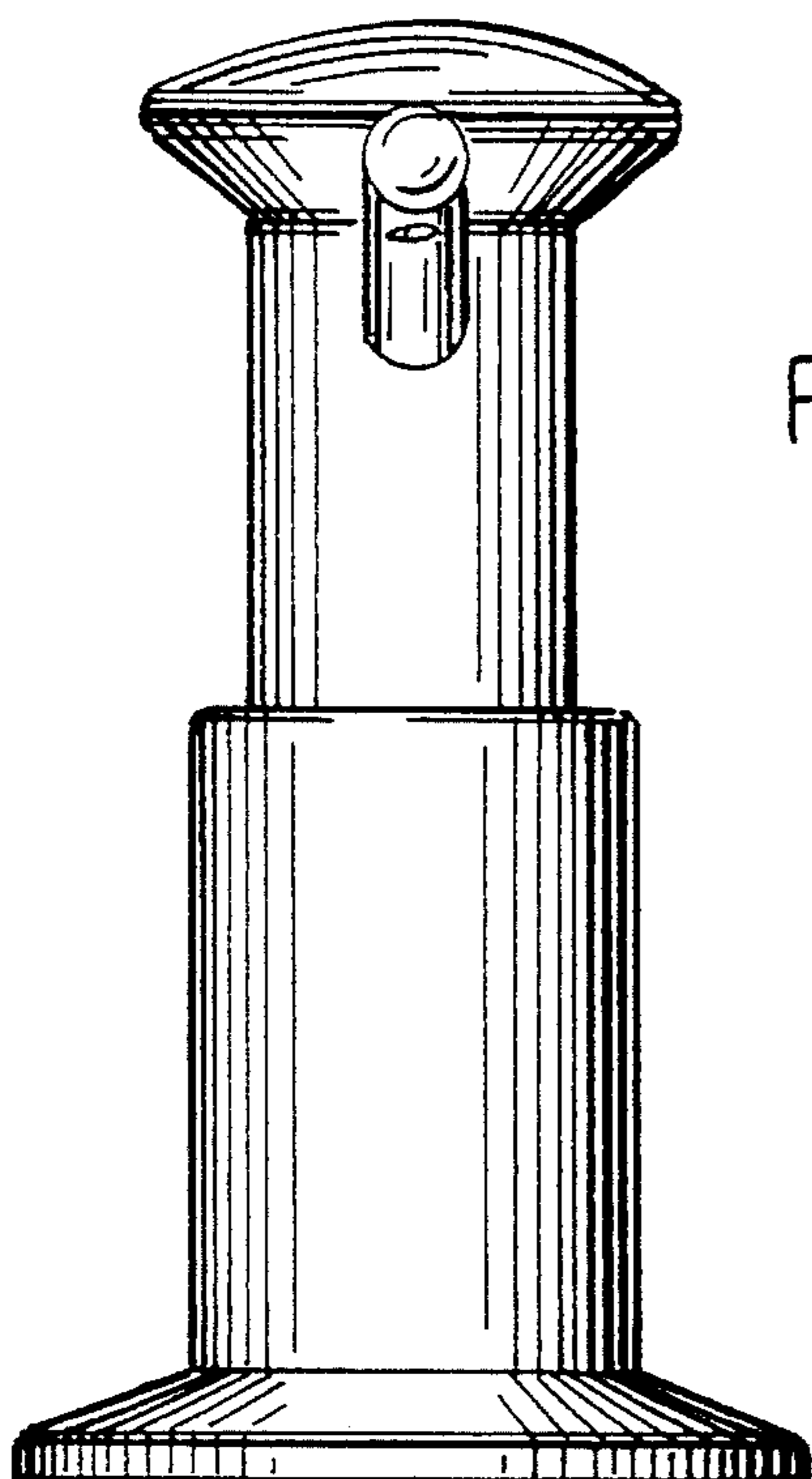


FIG. 3

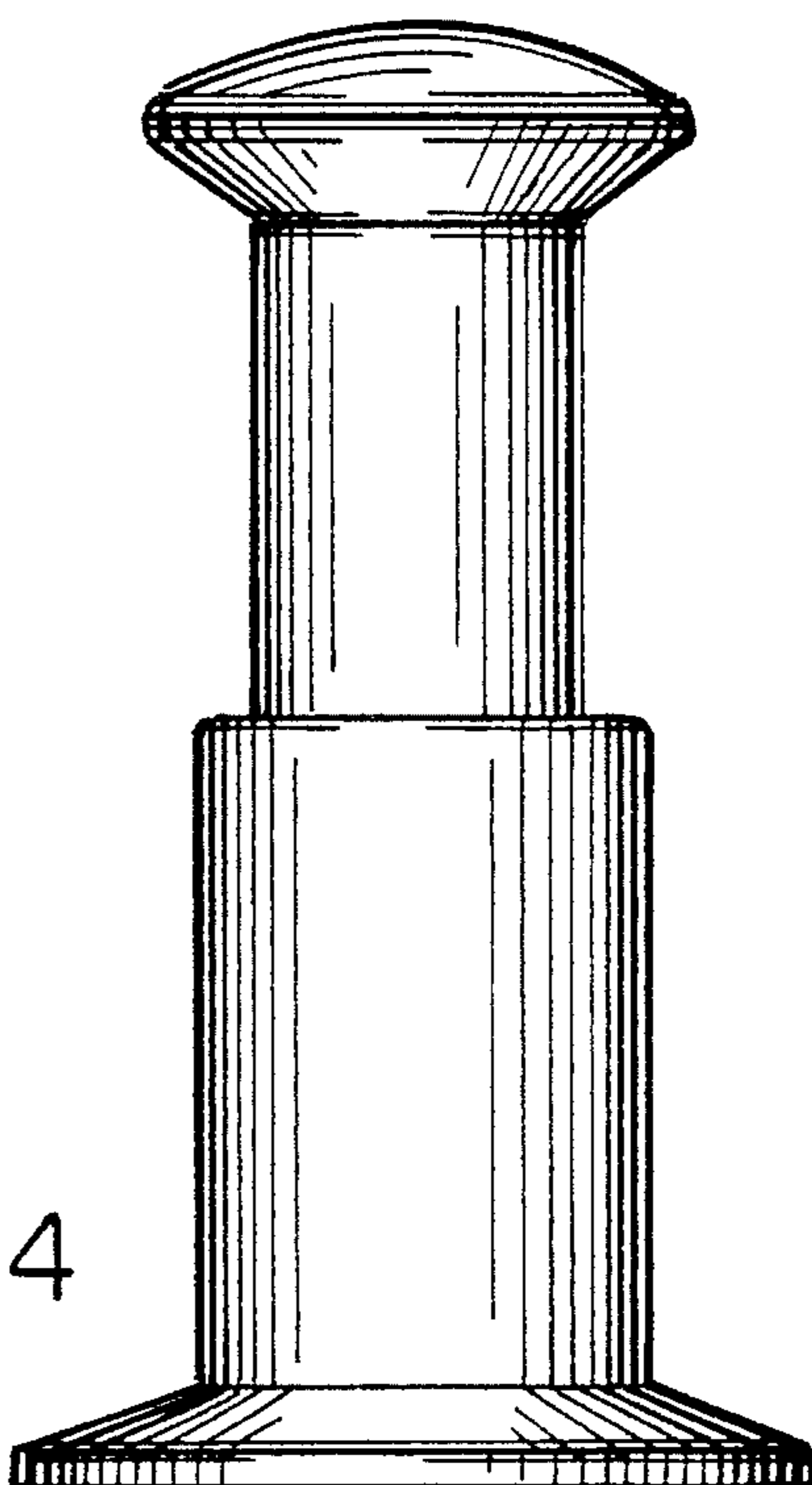


FIG. 4

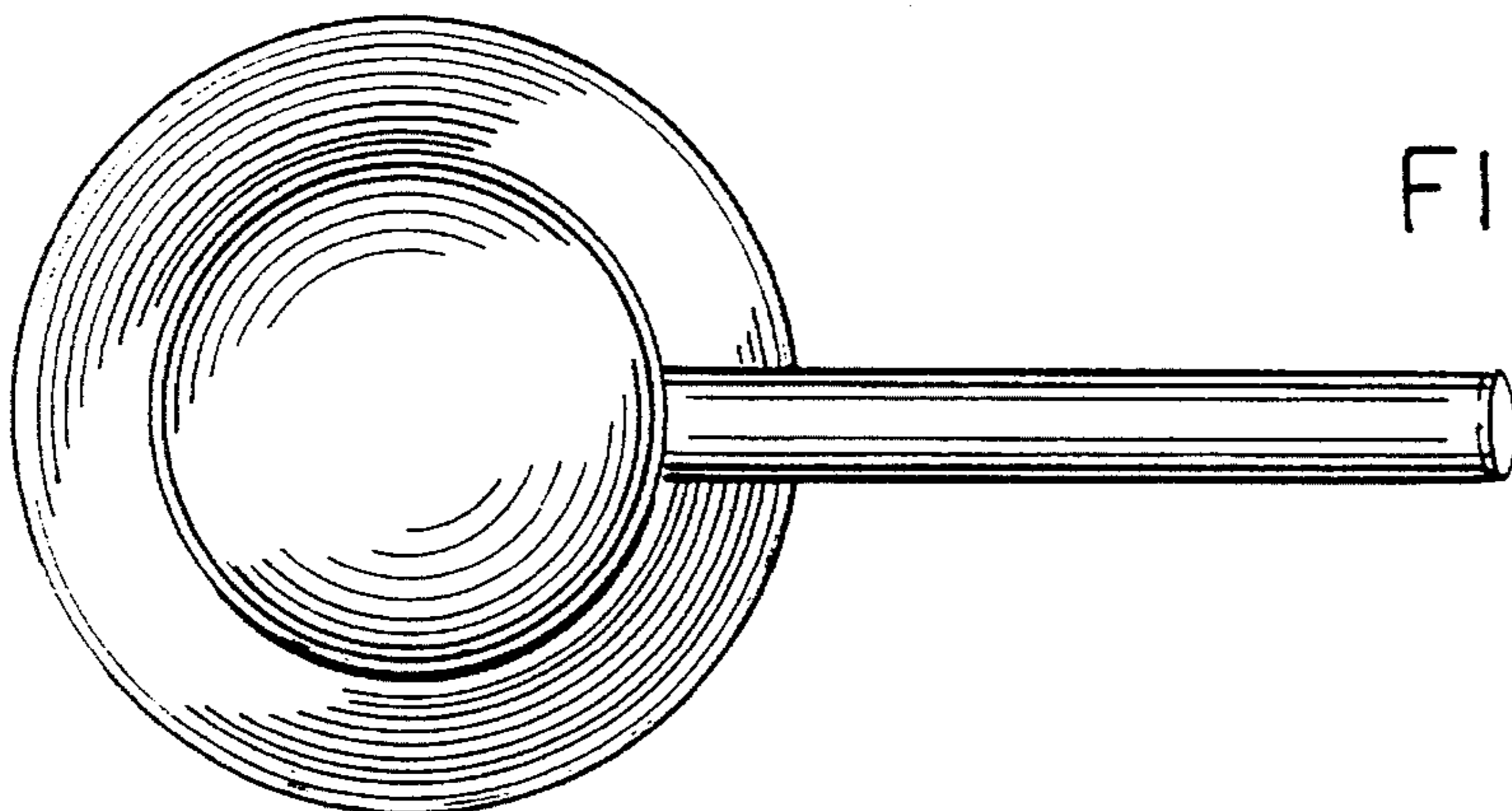


FIG. 5

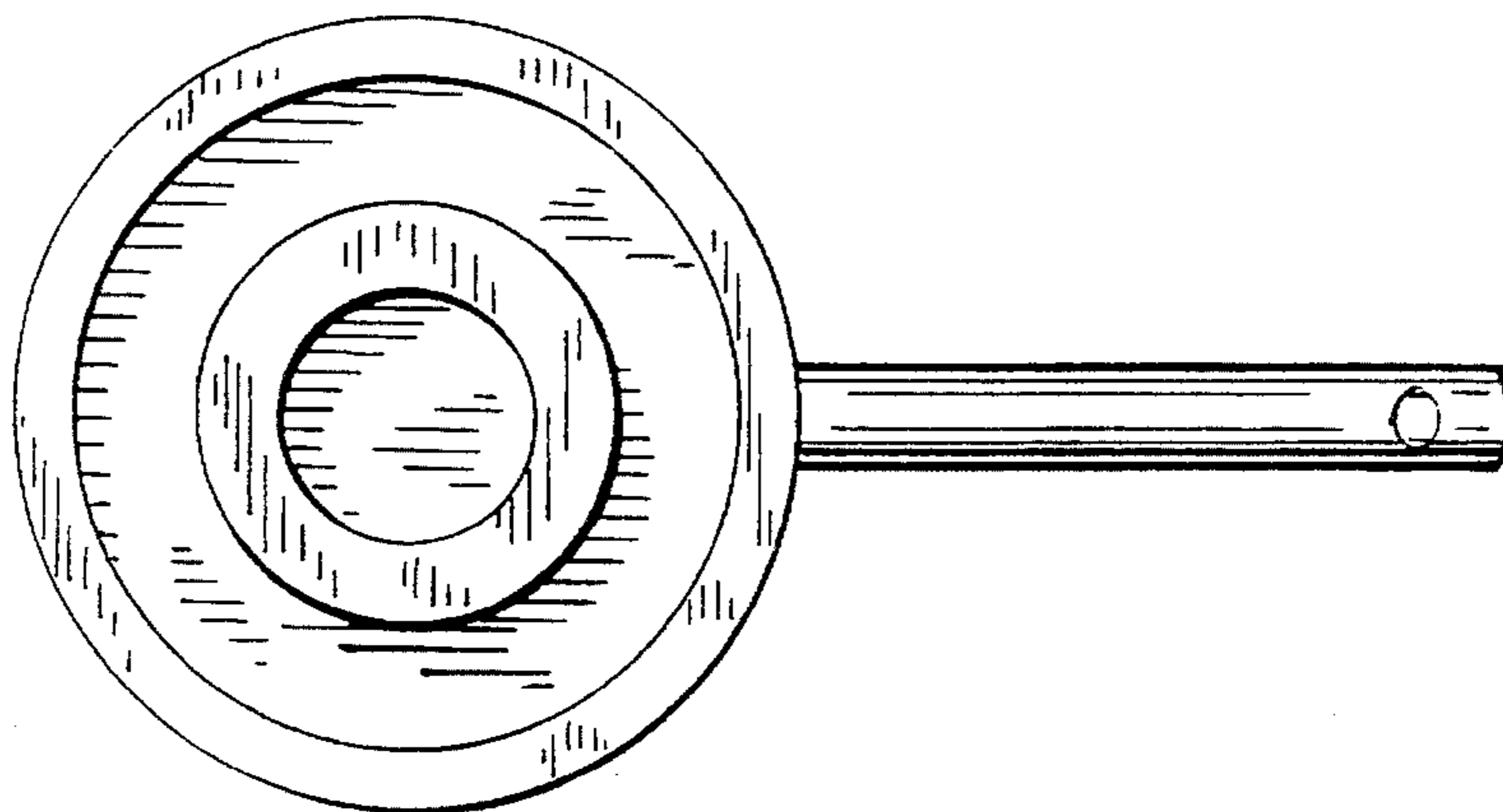


FIG. 6